

[54] **ELECTRIC JIG SAW**

[75] Inventor: **Robert I. Somers, Raleigh, N.C.**
[73] Assignee: **Black & Decker, Inc., Newark, Del.**
[**] Term: **14 Years**
[21] Appl. No.: **595,611**
[22] Filed: **Apr. 2, 1984**
[52] U.S. Cl. **D8/64**
[58] Field of Search **D8/61-69;**
30/376, 392, 395

p. 34 showing Jig Saw with closed loop handle, Model DN34.
AEG Heavy-Duty Power Tools, catalog No. 6B-100M, (2/78) cover (back and front) and pp. 5 and 6 showing a plurality of Jig Saws with a closed loop handle.
Black & Decker Consumer Products catalog 1983/84, cover and p. 12 showing Jig Saw with closed loop handle.
Shopmate Power Tool catalog No. 109-72C, cover and p. 10 showing Sabre Saws, Model Nos. 2430 and 2431.

[56] **References Cited**

U.S. PATENT DOCUMENTS

D. 196,420 9/1963 Weller et al. D8/64
3,131,736 5/1964 Ristow et al. 30/376
3,863,342 2/1975 Griffies et al. 30/376 X

FOREIGN PATENT DOCUMENTS

2311446 9/1973 Fed. Rep. of Germany 30/392

OTHER PUBLICATIONS

Rockwell Manufacturing Company ad. from Industrial Design Apr. 1967—inside rear cover—Enlarged Jig Saw.
Black & Decker Power Tools catalog, Form No. 368, cover (back and front) and pp. 44 and 45 showing a plurality of closed loop handle Jig Saws.
Black & Decker Gesamtprogramm, 1984/85, cover and

Primary Examiner—Susan J. Lucas
Assistant Examiner—C. E. Heflin
Attorney, Agent, or Firm—Finnegan, Henderson, Farabow, Garrett & Dunner

[57] **CLAIM**

The ornamental design of an electric jig saw, as shown and described.

DESCRIPTION

FIG. 1 is a top plan view of an electric jig saw showing my new design;
FIG. 2 is a bottom plan view thereof;
FIG. 3 is a left side view thereof;
FIG. 4 is a right side view thereof;
FIG. 5 is an end view thereof;
FIG. 6 is an opposite end view thereof; and
FIG. 7 is a perspective view thereof.

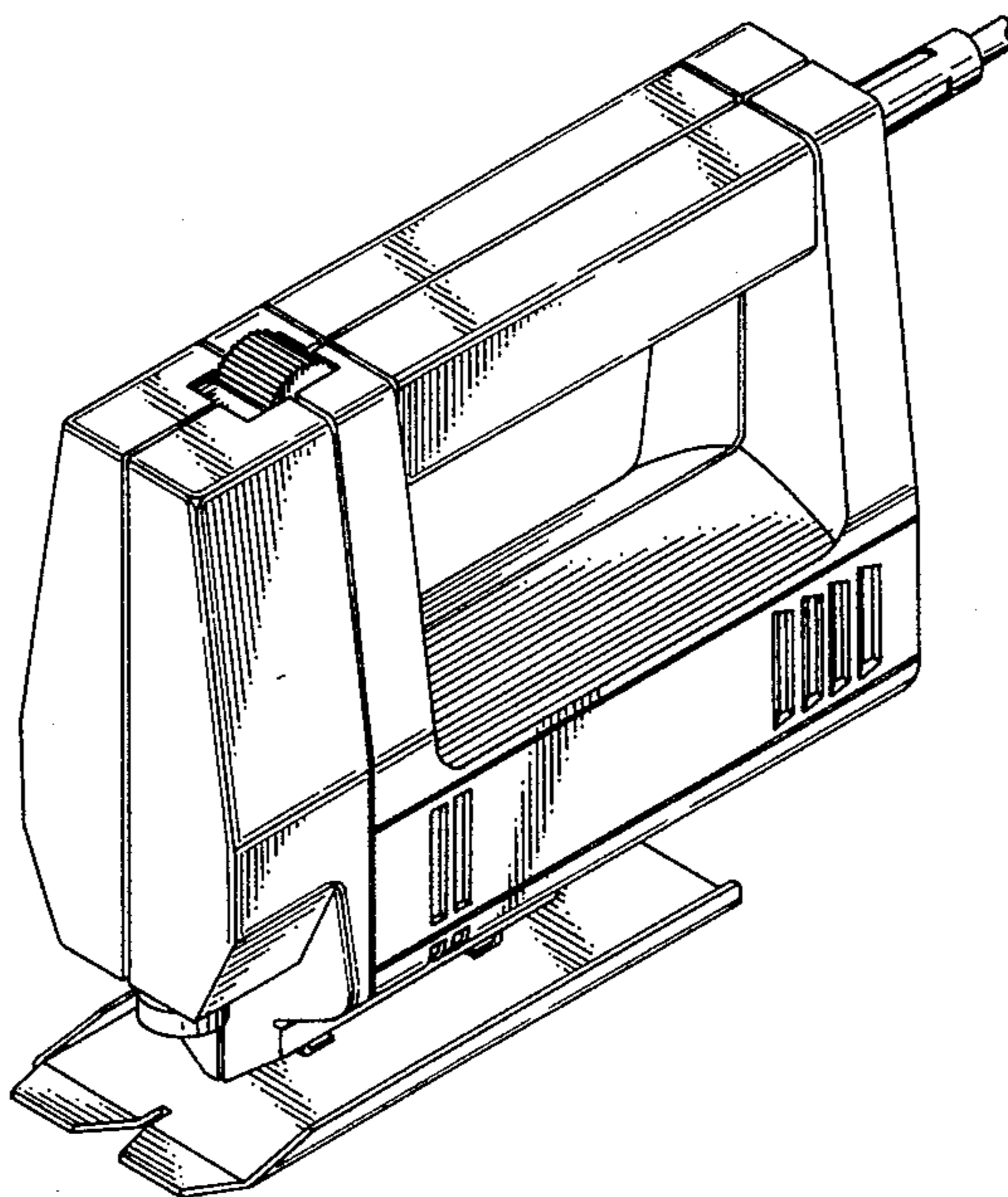


Fig. 1

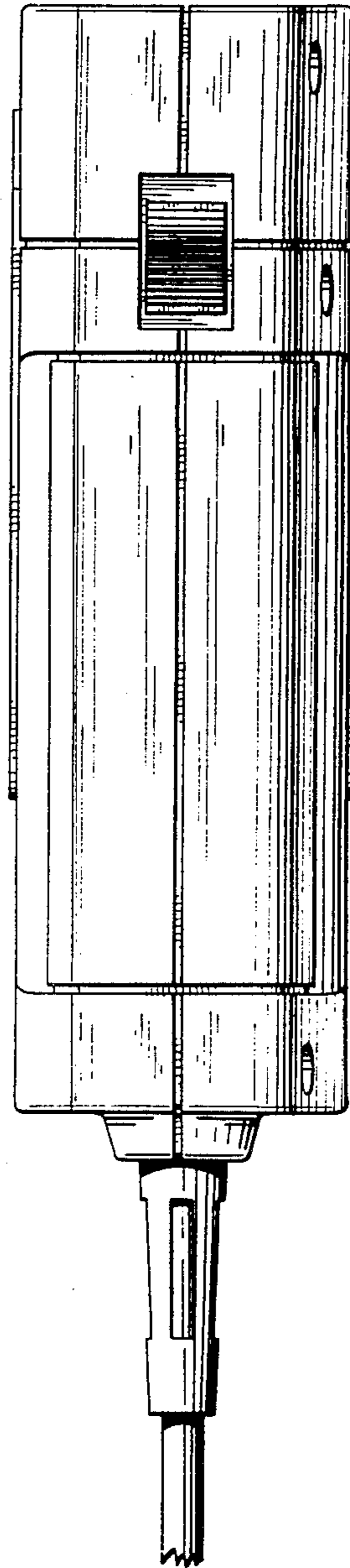
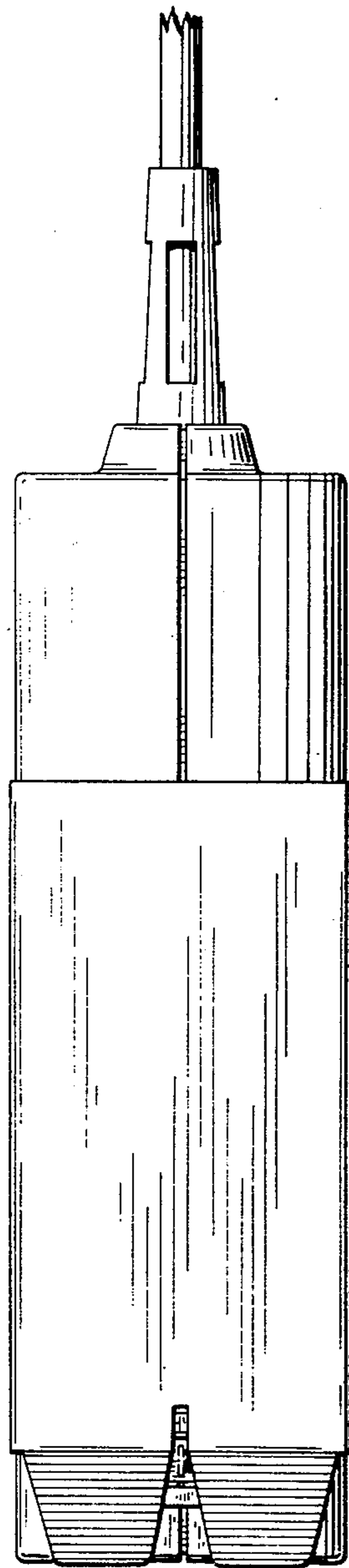


Fig. 2

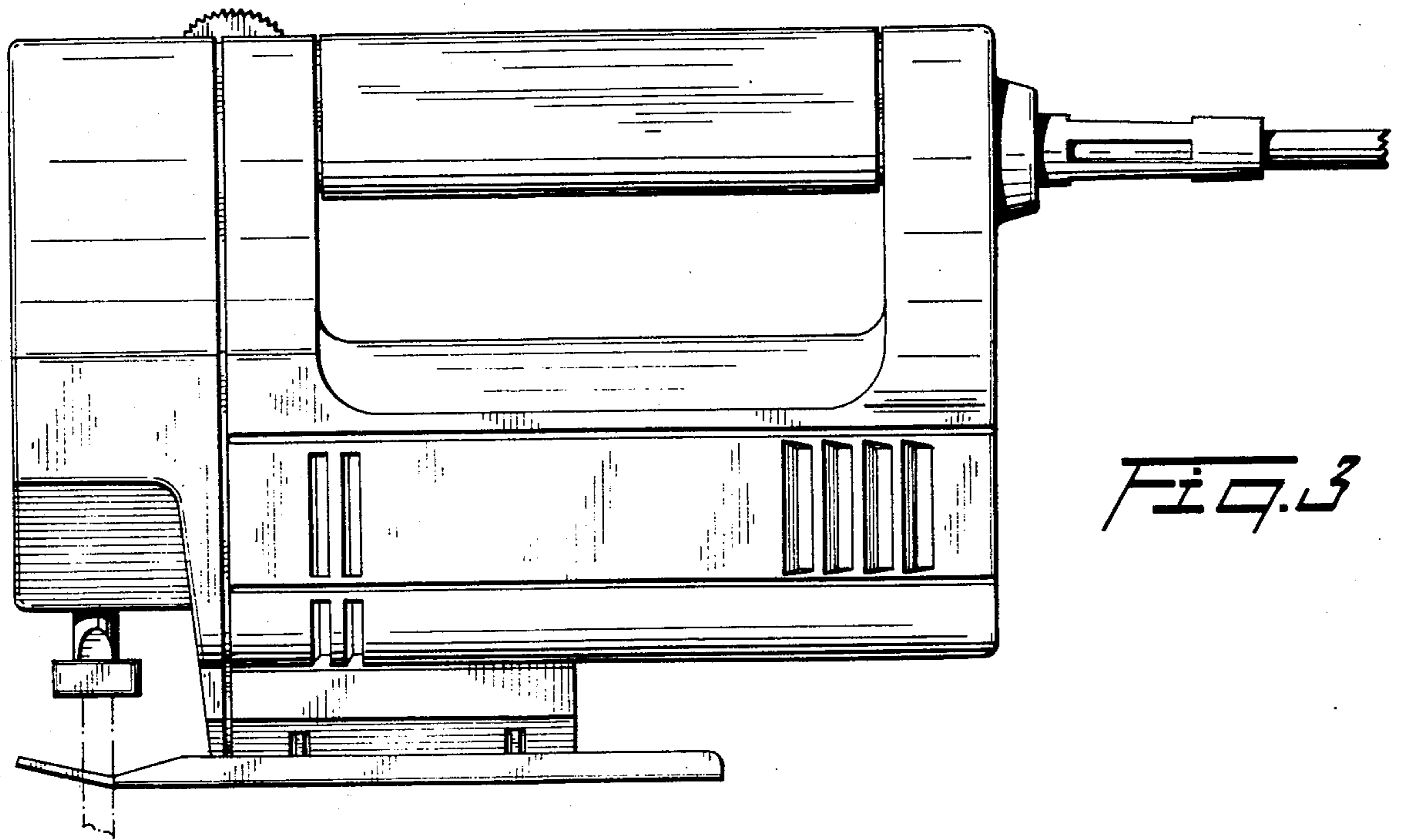


FIG. 3

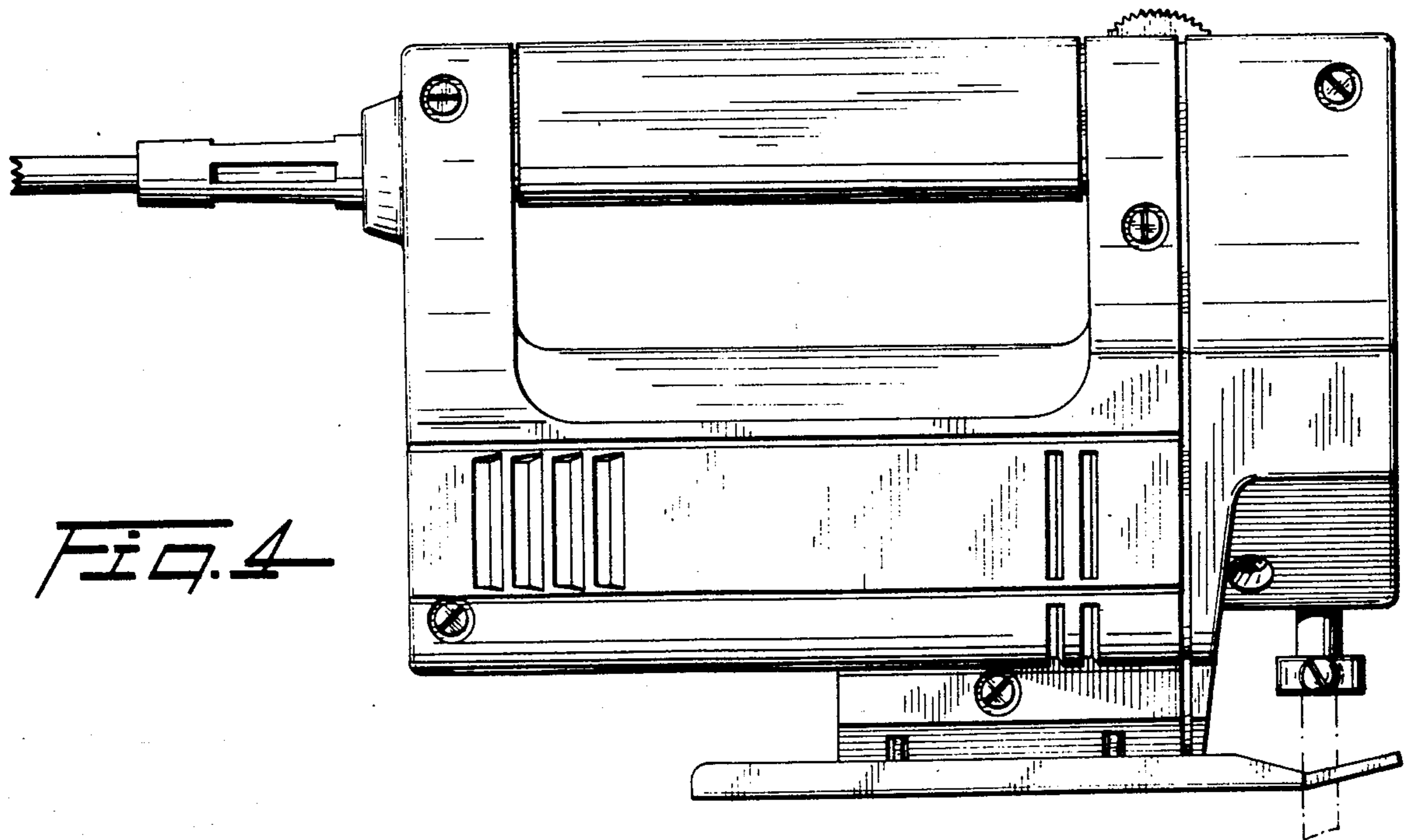


FIG. 4

Fig. 5

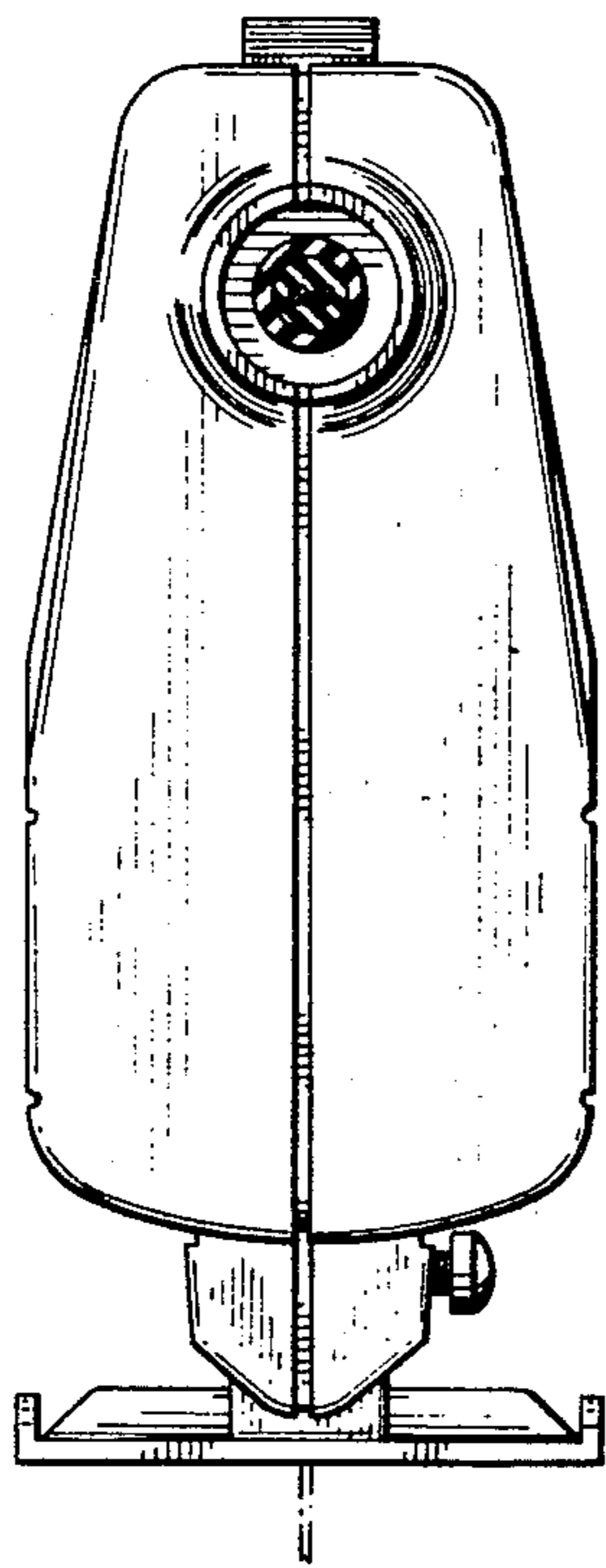
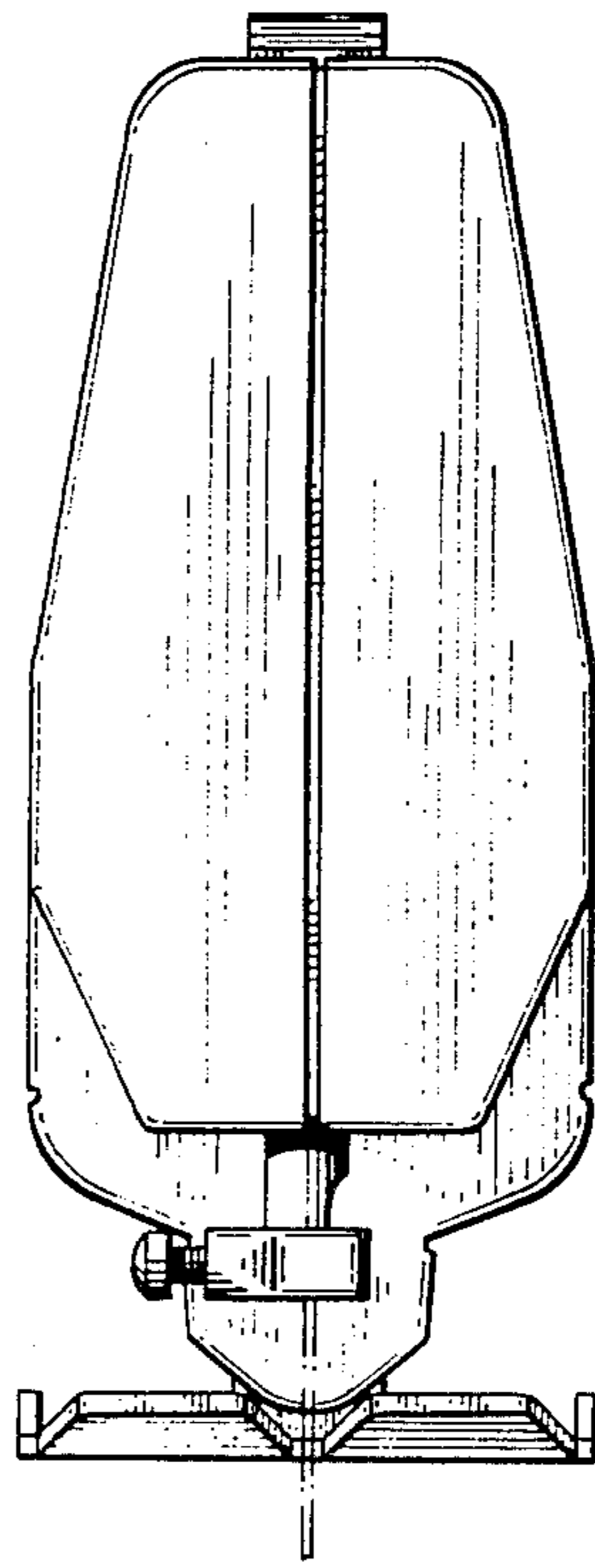


Fig. 6

FIG. 7

