

[54] CRIMPING TOOL

[75] Inventors: Jan O. Hägg, Stenhamra; Lars-Olov Persson, Älvdalen, both of Sweden

[73] Assignee: Pressmaster Tool AB, Älvdalen, Sweden

[\*\*] Term: 14 Years

[21] Appl. No.: 579,961

[22] Filed: Feb. 14, 1984

[52] U.S. Cl. .... D8/51

[58] Field of Search ..... D8/42, 51-56, D8/60, 98, 99, 101-107; 72/410; 81/342, 420, 9.4-9.44, 300, 407, 408, 413-416, 436; 29/247, 248, 268; 7/107; 30/90.1, 90.2, 90.4, 91.1, 91.2

[56] References Cited

U.S. PATENT DOCUMENTS

D. 245,752 9/1977 Wiener ..... D8/52

1,675,838 7/1928 Bernard ..... 81/9.44  
3,354,692 11/1967 Morris ..... 72/410 X  
4,353,240 10/1982 Undin et al. .... 81/417 X  
4,381,661 5/1983 Wiener et al. .... 81/418 X

Primary Examiner—Susan J. Lucas  
Assistant Examiner—C. E. Heflin  
Attorney, Agent, or Firm—Fleit, Jacobson, Cohn & Price

[57] CLAIM

The ornamental design for a crimping tool, substantially as shown.

DESCRIPTION

FIG. 1 is a side elevation of a crimping tool showing our new design;  
FIG. 2 is a top plan view thereof;  
FIG. 3 is a side elevation thereof but taken from the opposite side to FIG. 1;  
FIG. 4 is a bottom plan view thereof;  
FIG. 5 is a front end elevation thereof;  
FIG. 6 is a rear end elevation thereof.

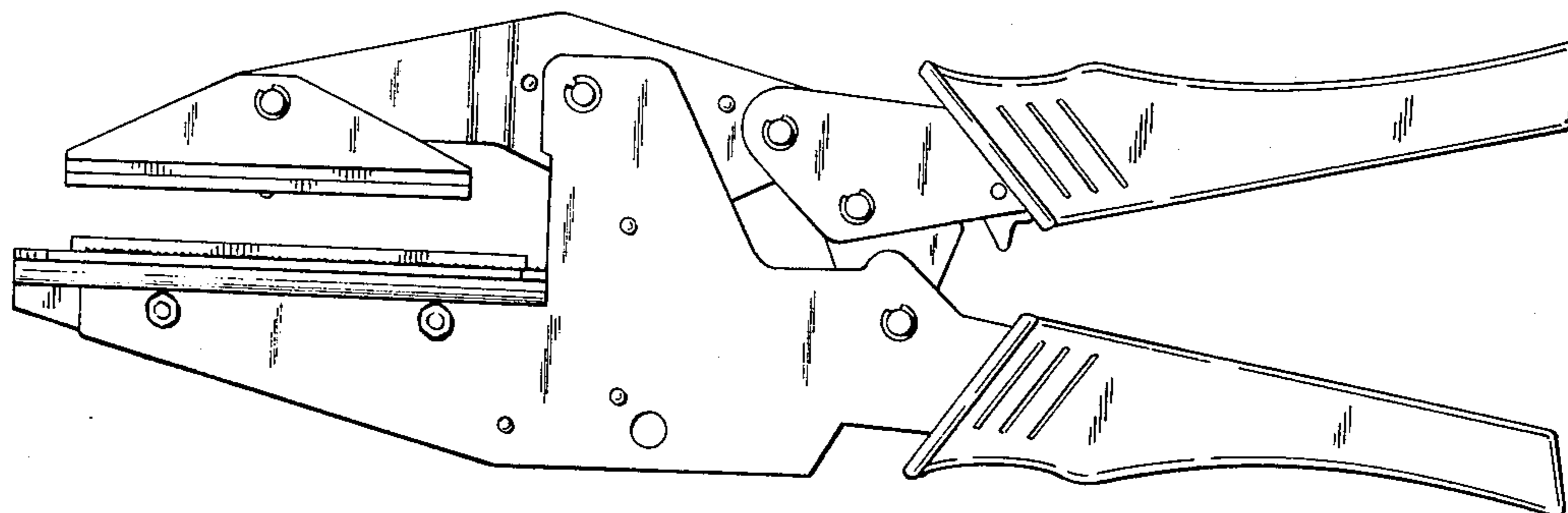


Fig. 1

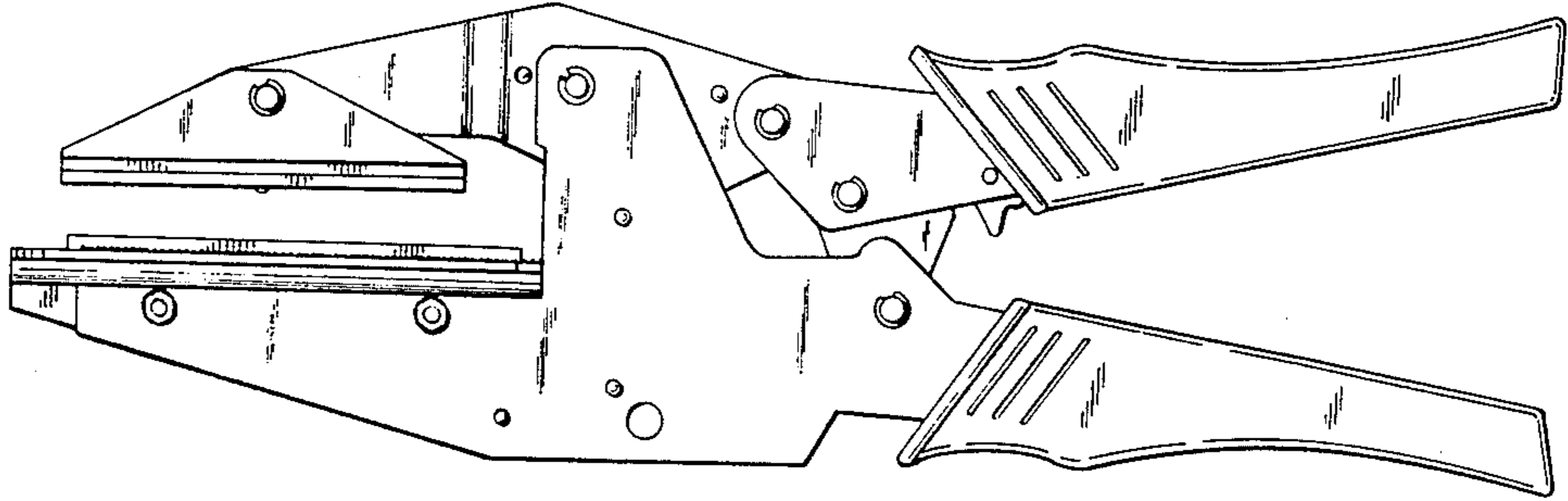


Fig. 2

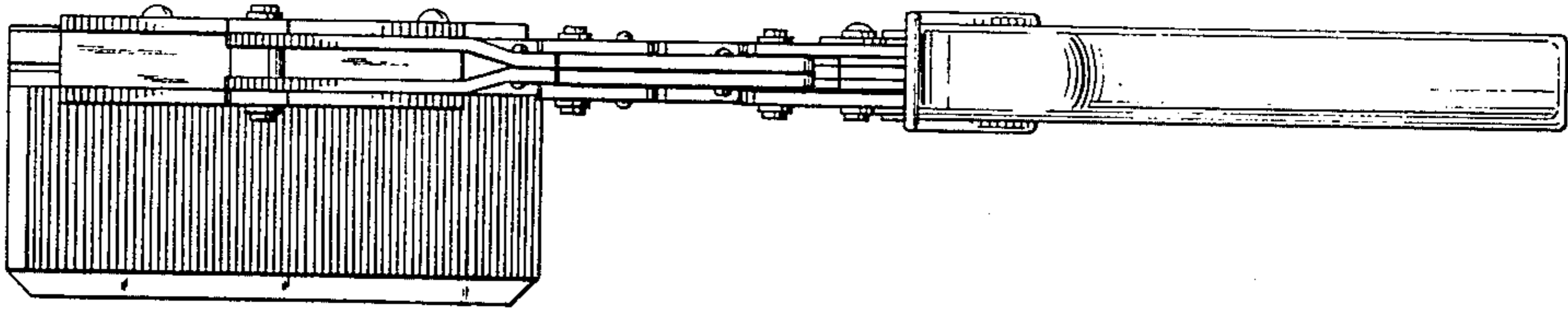


Fig. 3

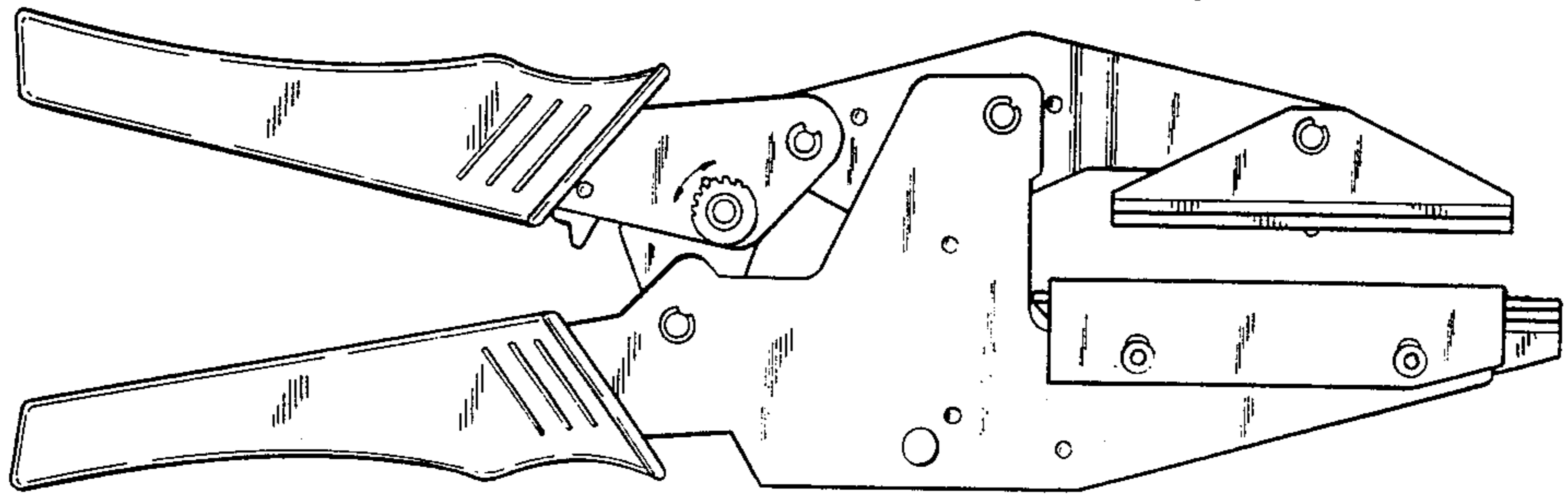


Fig. 4

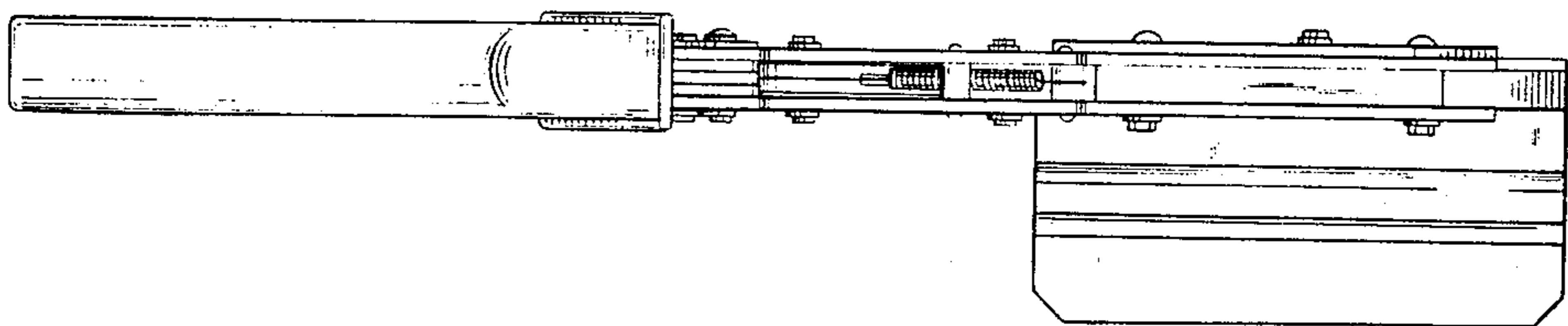


Fig. 5

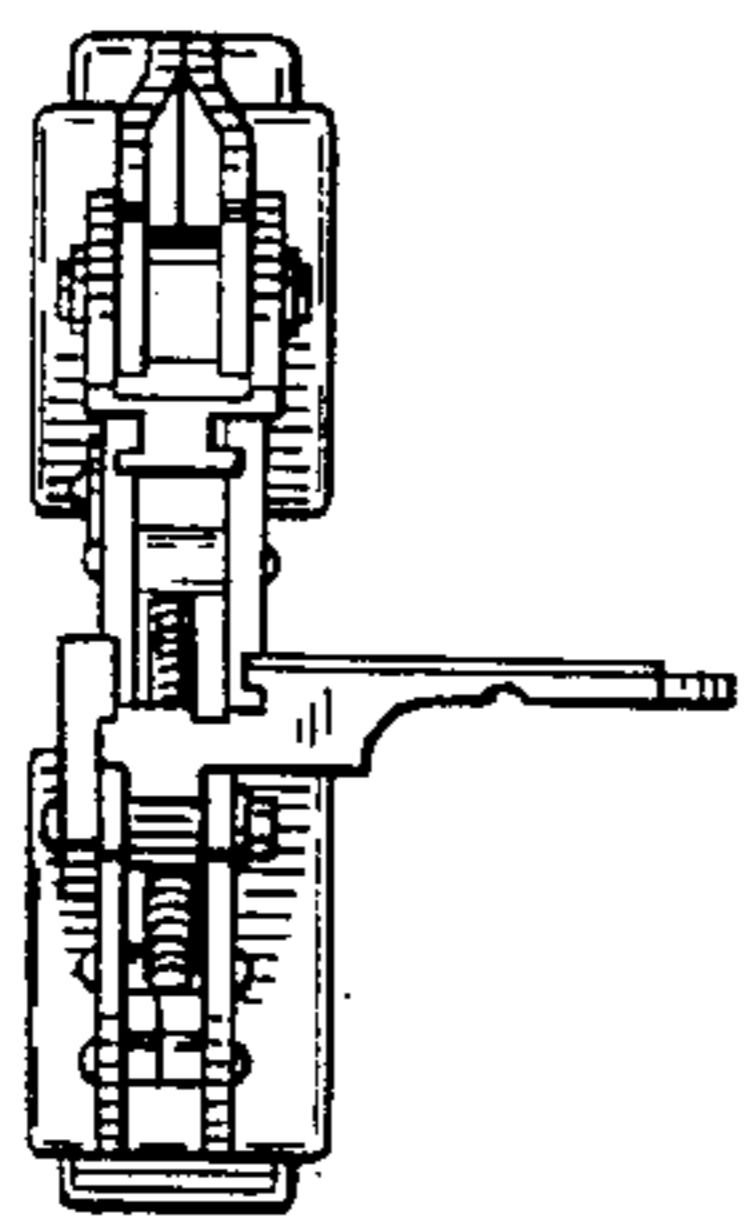


Fig. 6

