

[54] MACHINE FOR FILTERING LUBRICATING OIL FOR A DOUGH DIVIDER MACHINE

[76] Inventor: D. L. Adcock, 6412 S. Douglas Ave., Oklahoma City, Okla. 73139

[**] Term: 14 Years

[21] Appl. No.: 584,018

[22] Filed: Feb. 27, 1984

[52] U.S. Cl. D7/368

[58] Field of Search D7/323, 332, 334, 337, D7/339, 346, 348, 350, 351, 368; 99/467-468, 473-474; 210/167-168; 208/179; 425/289, 296; 73/169; D23/4

[56] References Cited

U.S. PATENT DOCUMENTS

3,263,818	8/1966	Gedrich	210/167
3,535,798	10/1970	Turman	210/167
4,513,614	4/1985	Adcock	73/169

OTHER PUBLICATIONS

Foodservice Equipment Specialist Buyer's Guide & Product Directory, 1983, p. 106.

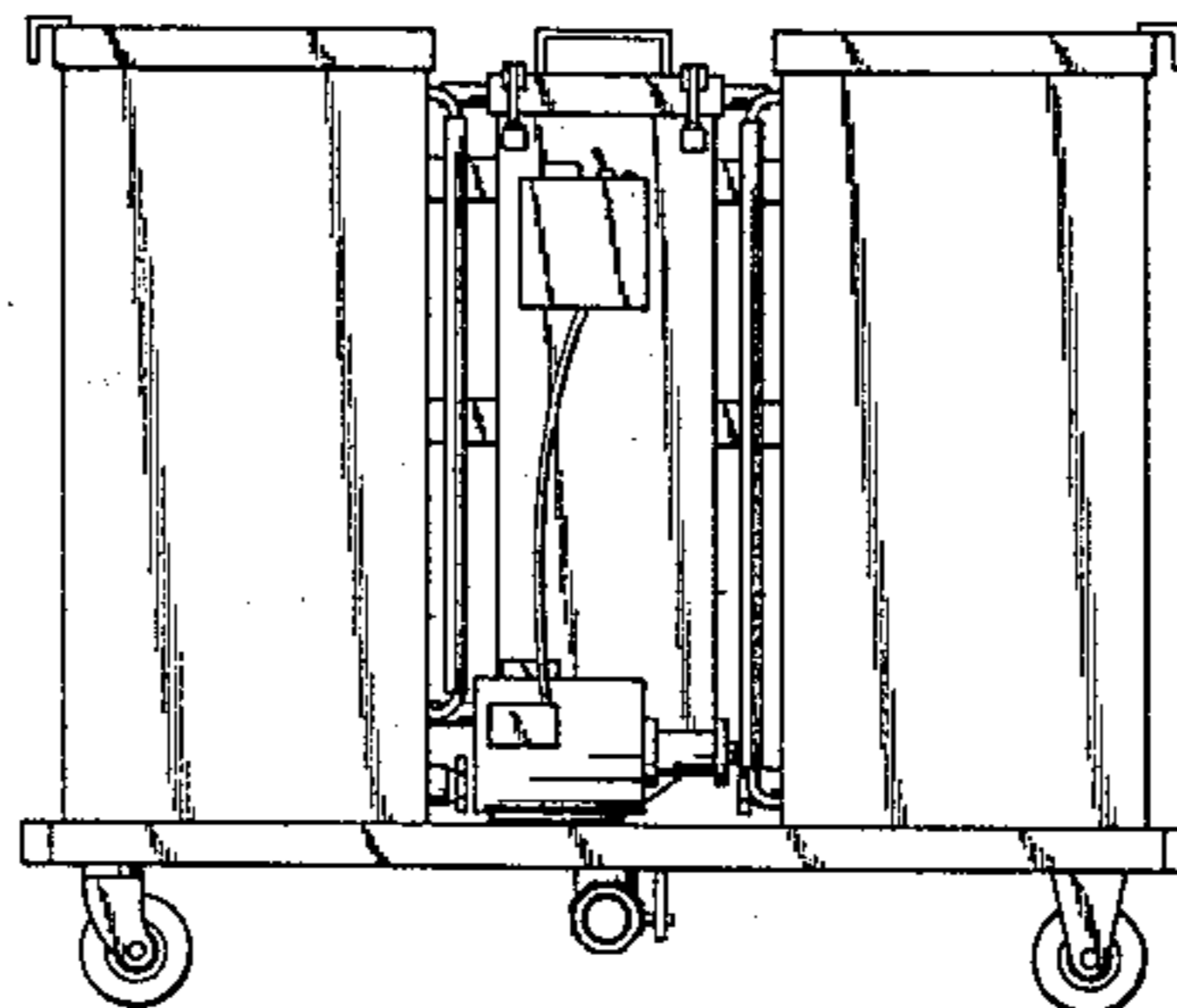
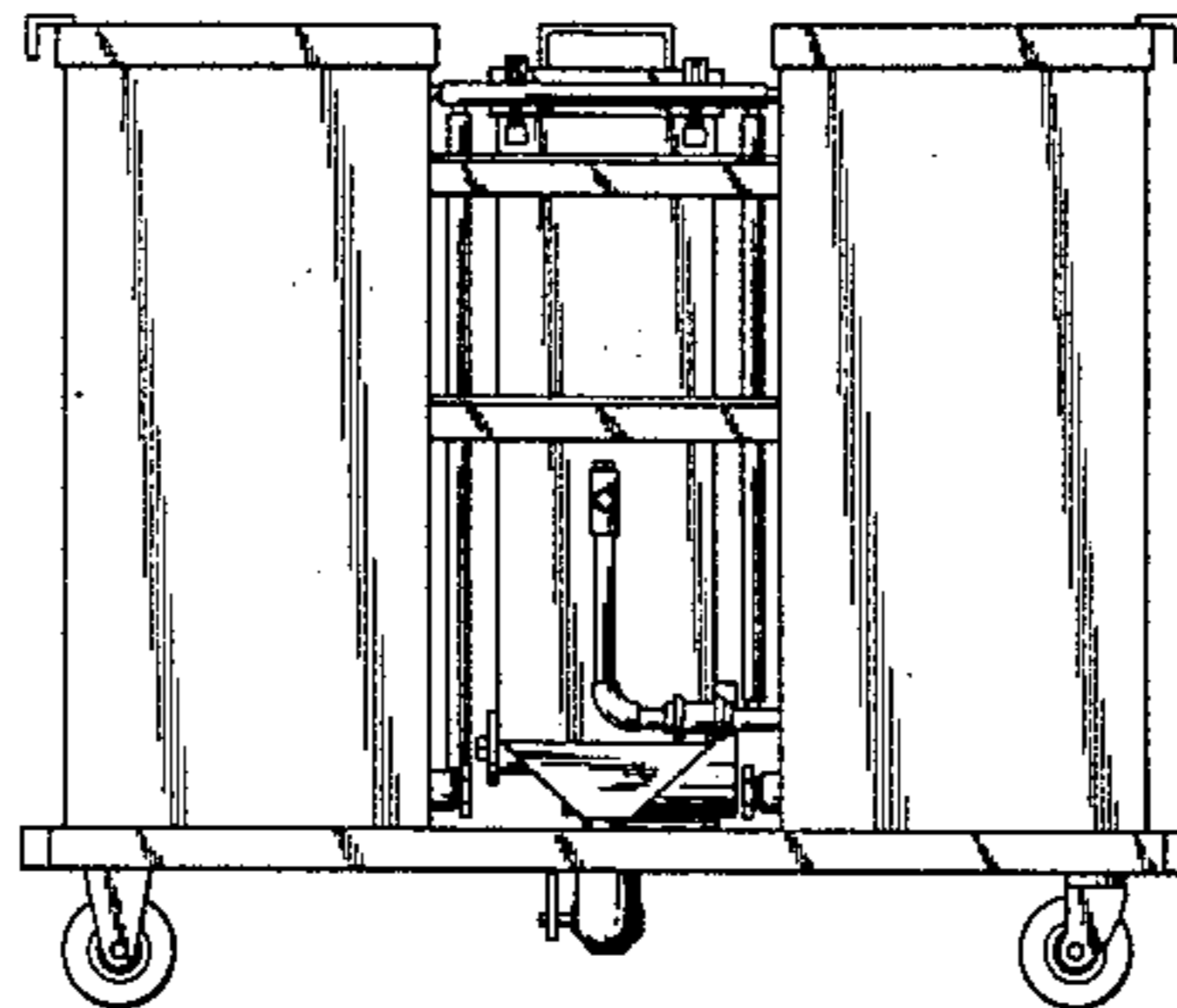
Primary Examiner—Wallace R. Burke
Assistant Examiner—Ruth E. Takemoto
Attorney, Agent, or Firm—Laney, Dougherty, Hessin & Beavers

[57] CLAIM

The ornamental design for a machine for filtering lubricating oil for a dough divider machine, substantially as shown and described.

DESCRIPTION

FIG. 1 is a rear elevational view of a machine for filtering and lubricating oil for a dough divider machine showing my new design;
FIG. 2 is a front elevational view thereof;
FIG. 3 is a left side elevational view thereof;
FIG. 4 is a right side elevational view thereof;
FIG. 5 is a top plan view thereof;
FIG. 6 is a bottom plan view thereof.



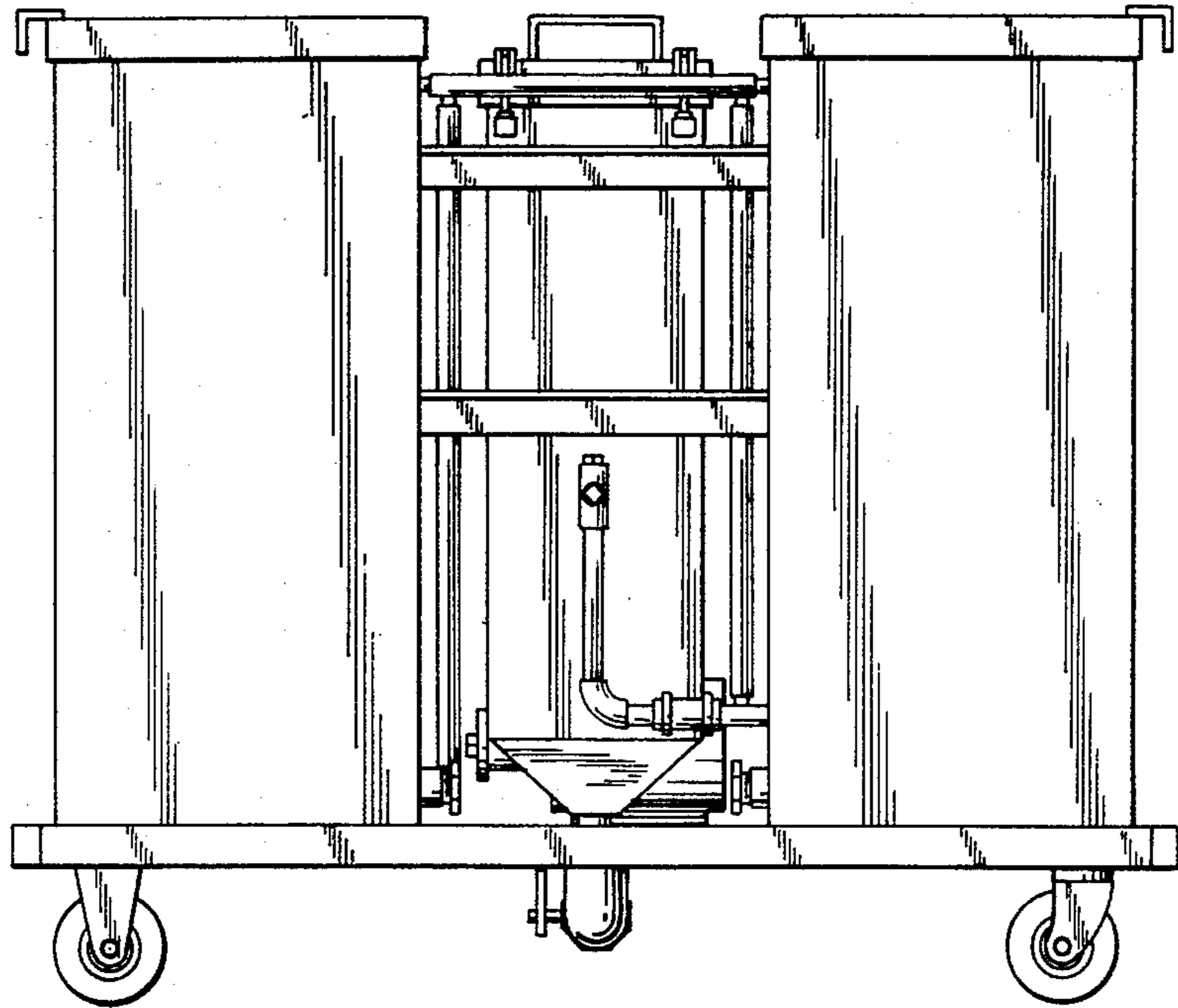


FIG. 1

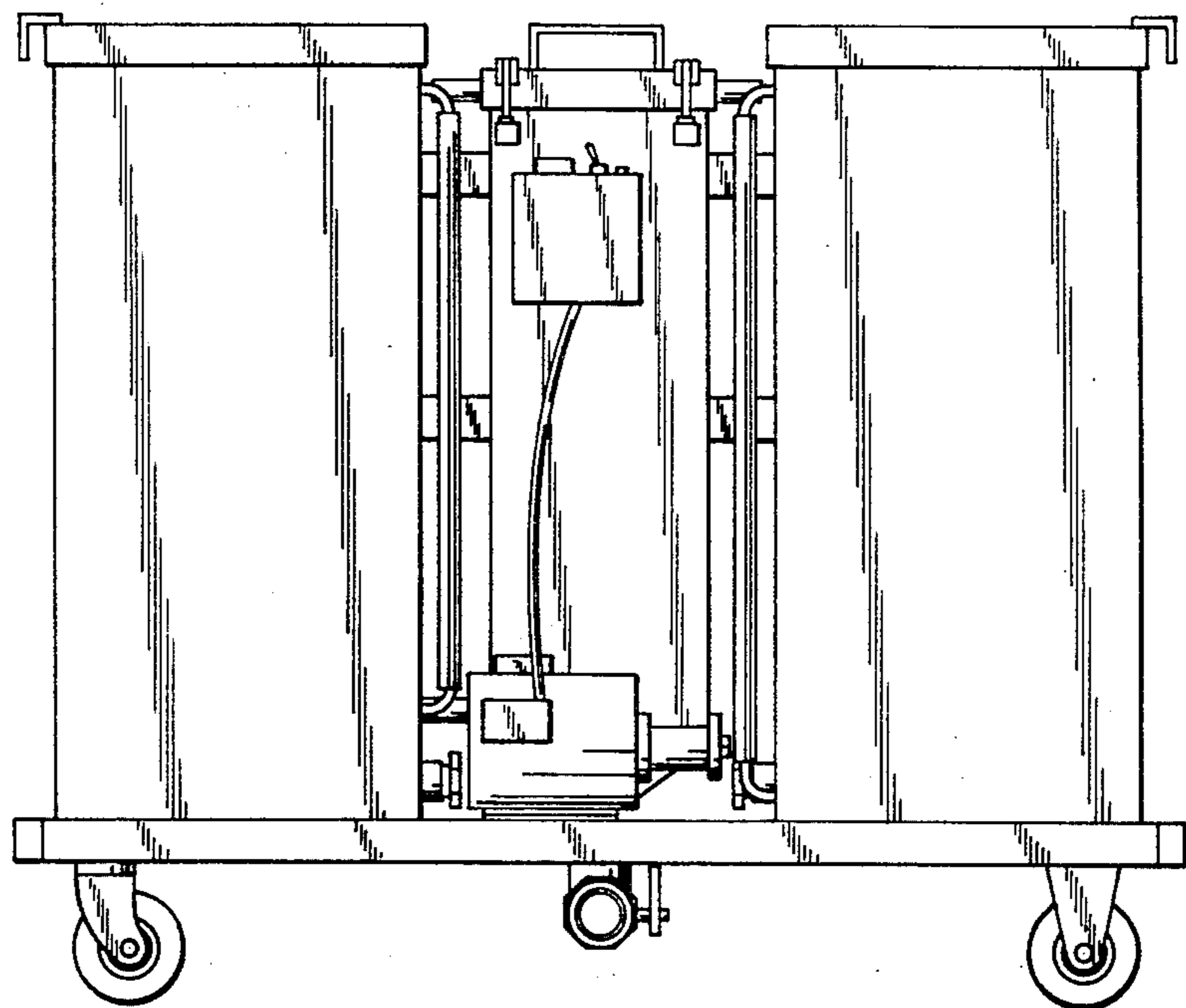


FIG. 2

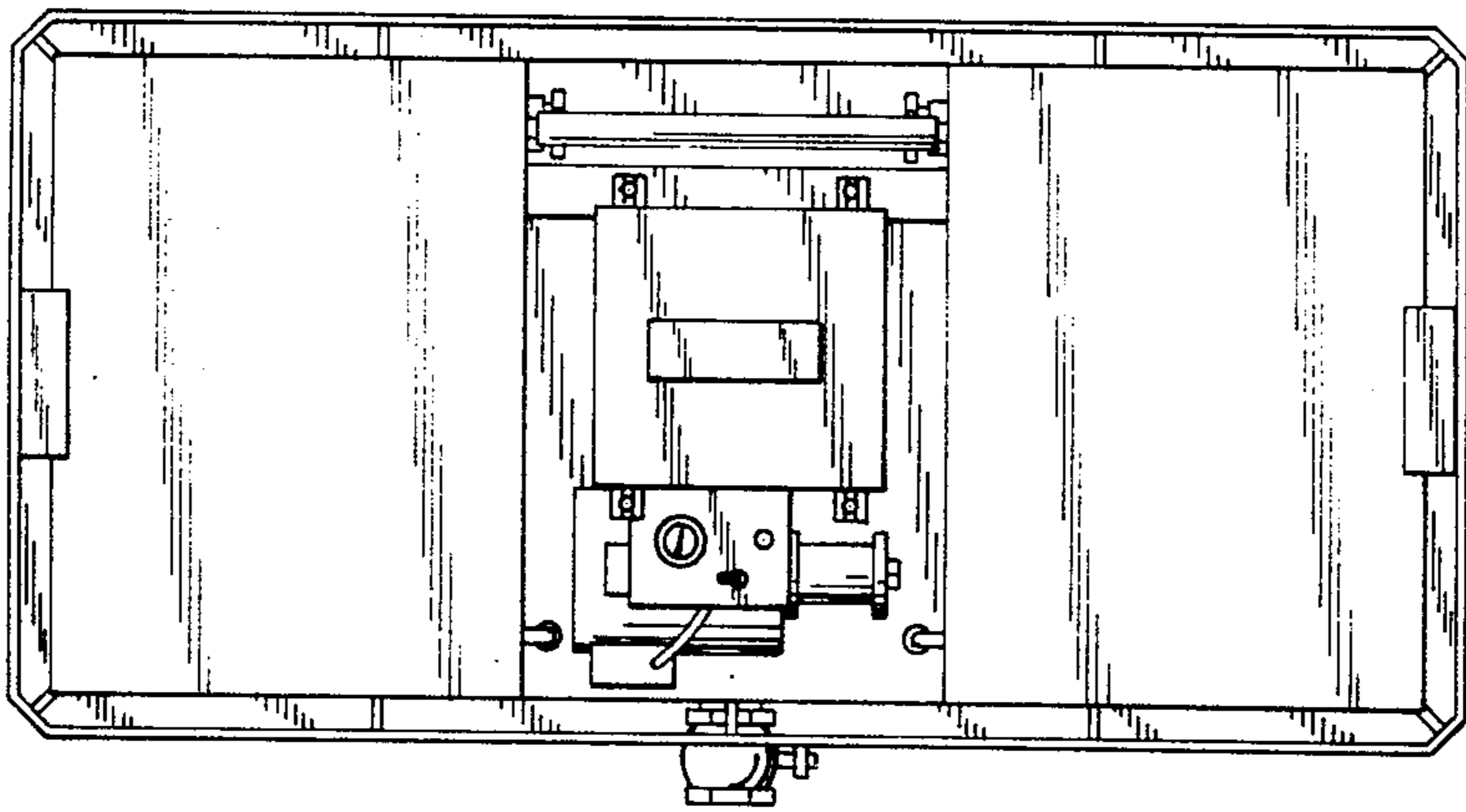
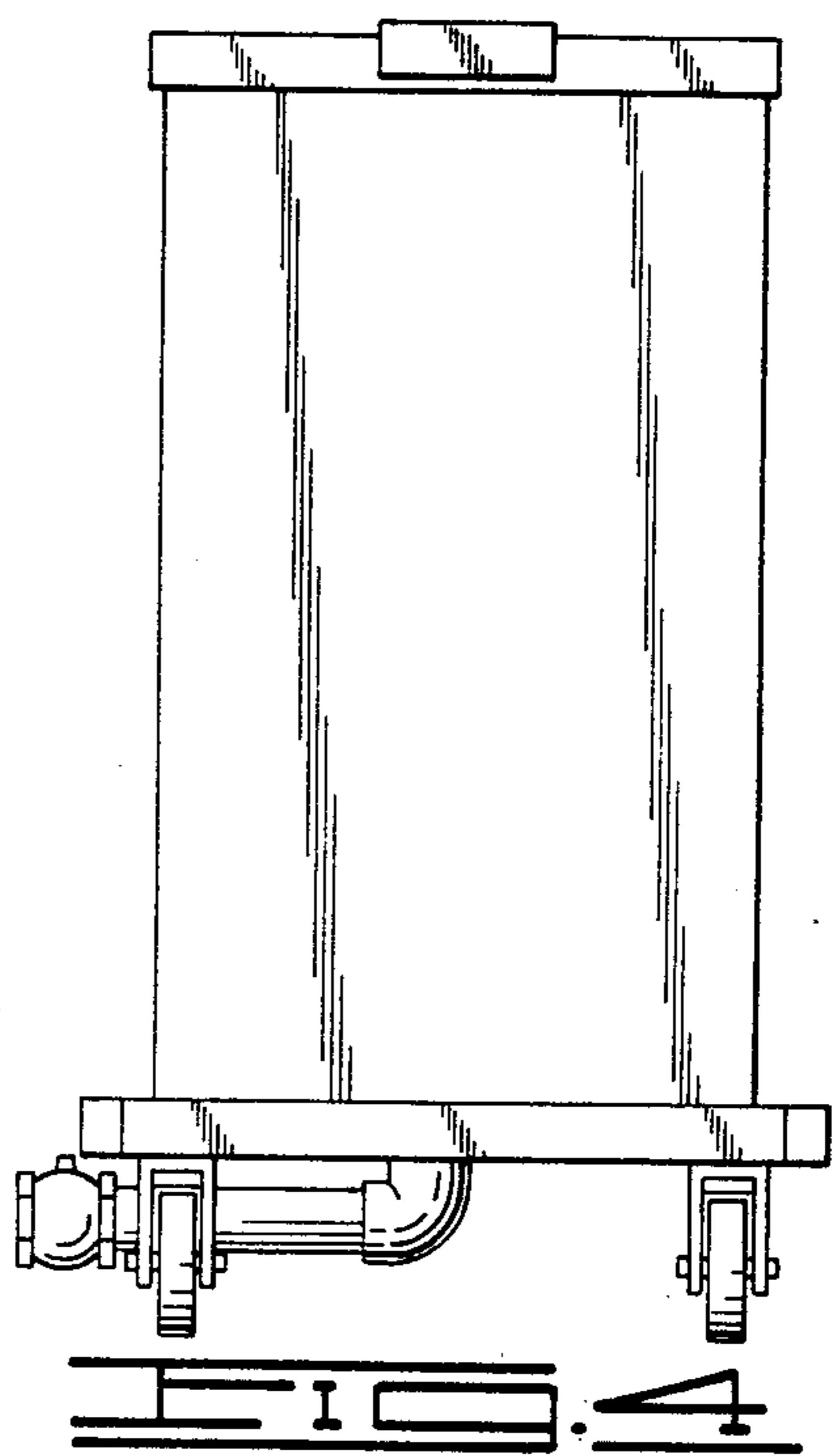
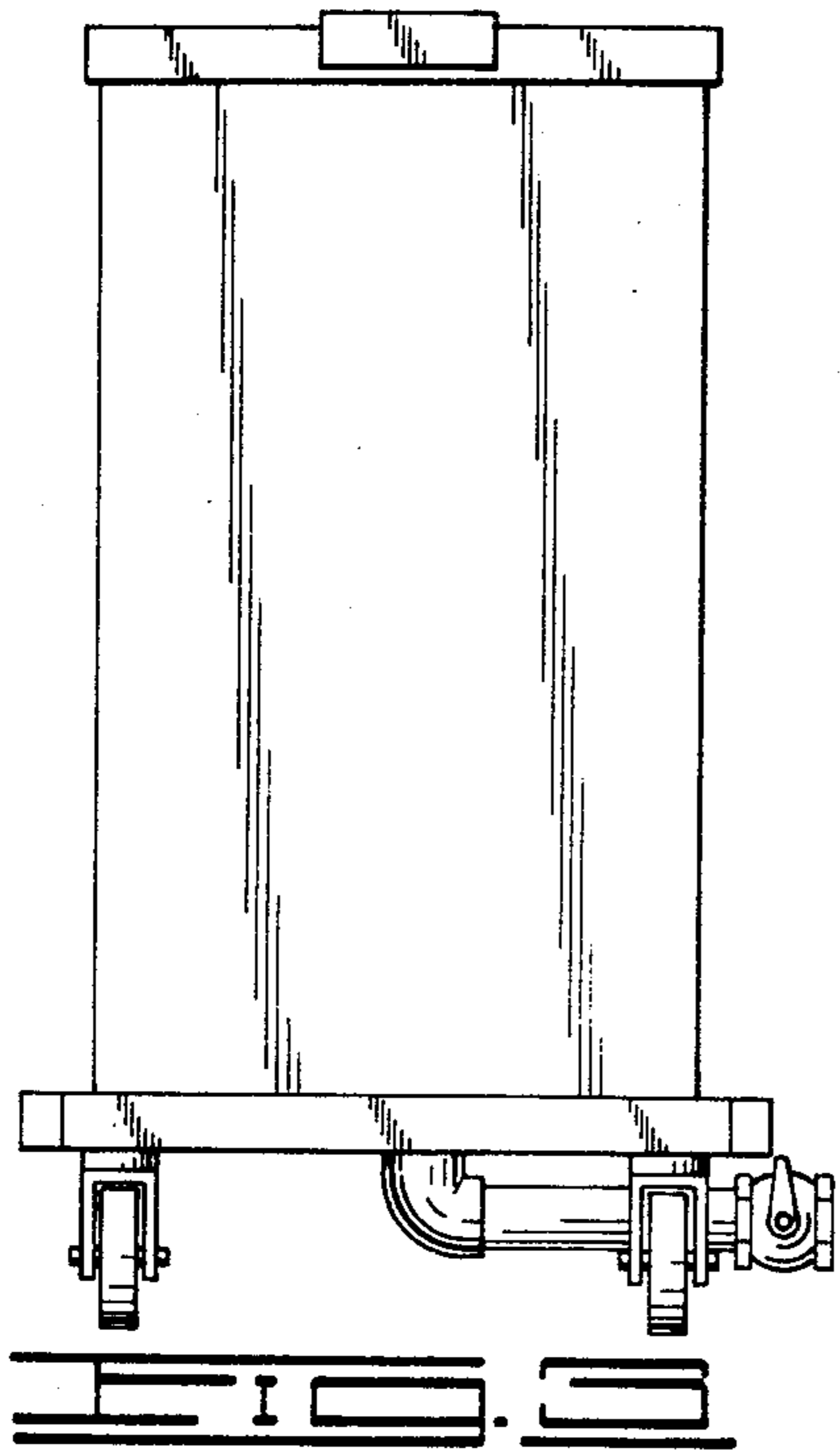


FIG. 5

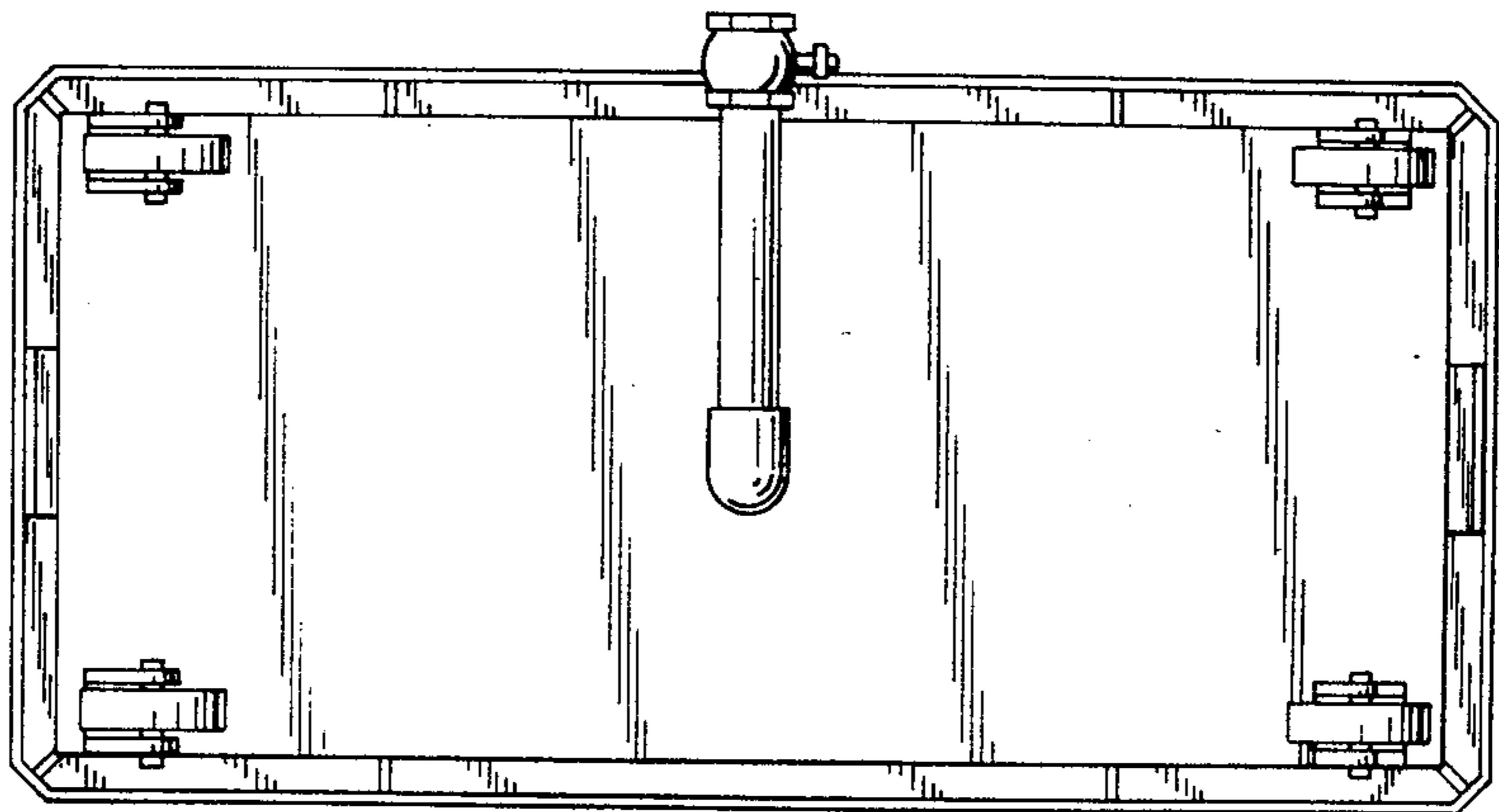


FIG. 6