

[54] MICROWAVE OVEN COVERED DISH

[75] Inventors: James F. Pomroy, St. Paul; Allen M. Danley, Eagan; Harry A. Rubbright, Mendota Heights, all of Minn.

[73] Assignee: Plastics, Inc., St. Paul, Minn.

[**] Term: 14 Years

[21] Appl. No.: 672,715

[22] Filed: Nov. 19, 1984

[52] U.S. Cl. D7/18; D7/17; D7/28

[58] Field of Search D9/425, 430, 432, 352, D9/450, 454, 435; D7/354, 360, 18, 17, 16, 27, 28, 70, 76, 77, 40, 391, 39; D11/155

[56] References Cited

U.S. PATENT DOCUMENTS

- D. 149,866 6/1948 Fry D7/70
- D. 162,960 4/1951 Johnston D7/360
- D. 232,688 9/1974 Aries D7/18 X
- D. 272,030 1/1984 Sleith D7/28
- D. 280,590 9/1985 Schrage D7/360
- D. 280,591 9/1985 Schrage D7/360

OTHER PUBLICATIONS

Anchor Hocking Glassware—Catalog H, p. 20, Refrigerator

Glassware #23 left col. Middle Dish/covered, #757 top left Covered Rect. Dish.

Idea 55, ©1955, p. 19, #44 Kaarina Aho—Finland, right col.—middle panel, Casseroles/Covers.

Bloomington's Home/Living Cat. Vol. II, p. 10, right center, "Serena" Microwave Ceramic Tableware—Bowl and Bake Loaf Dishes.

Primary Examiner—Winifred E. Herrmann
Attorney, Agent, or Firm—Flehr, Hohbach, Test, Albritton & Herbert

[57] CLAIM

The ornamental design for a microwave oven covered dish, as shown and described.

DESCRIPTION

FIG. 1 is a top perspective view of a microwave oven covered dish showing our new design;

FIG. 2 is a top plan view thereof;

FIG. 3 is a side elevational view thereof;

FIG. 4 is a bottom plan view thereof;

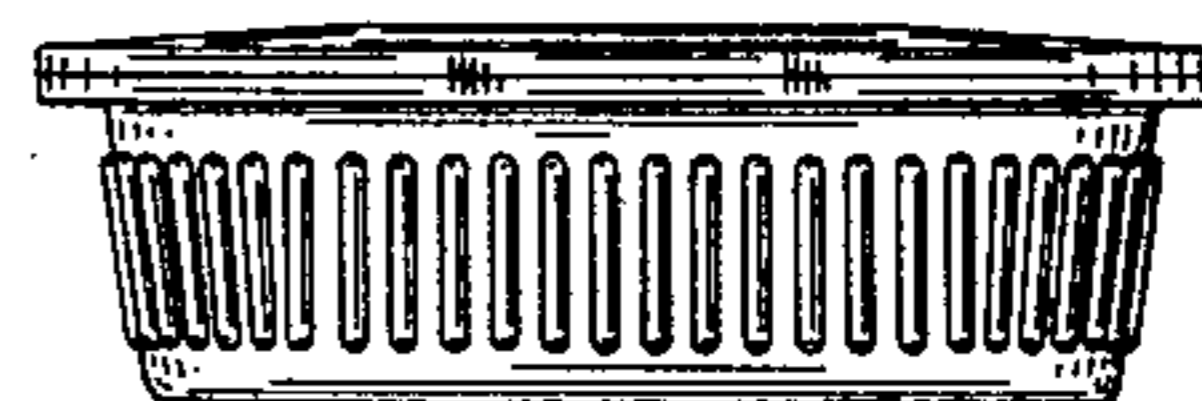
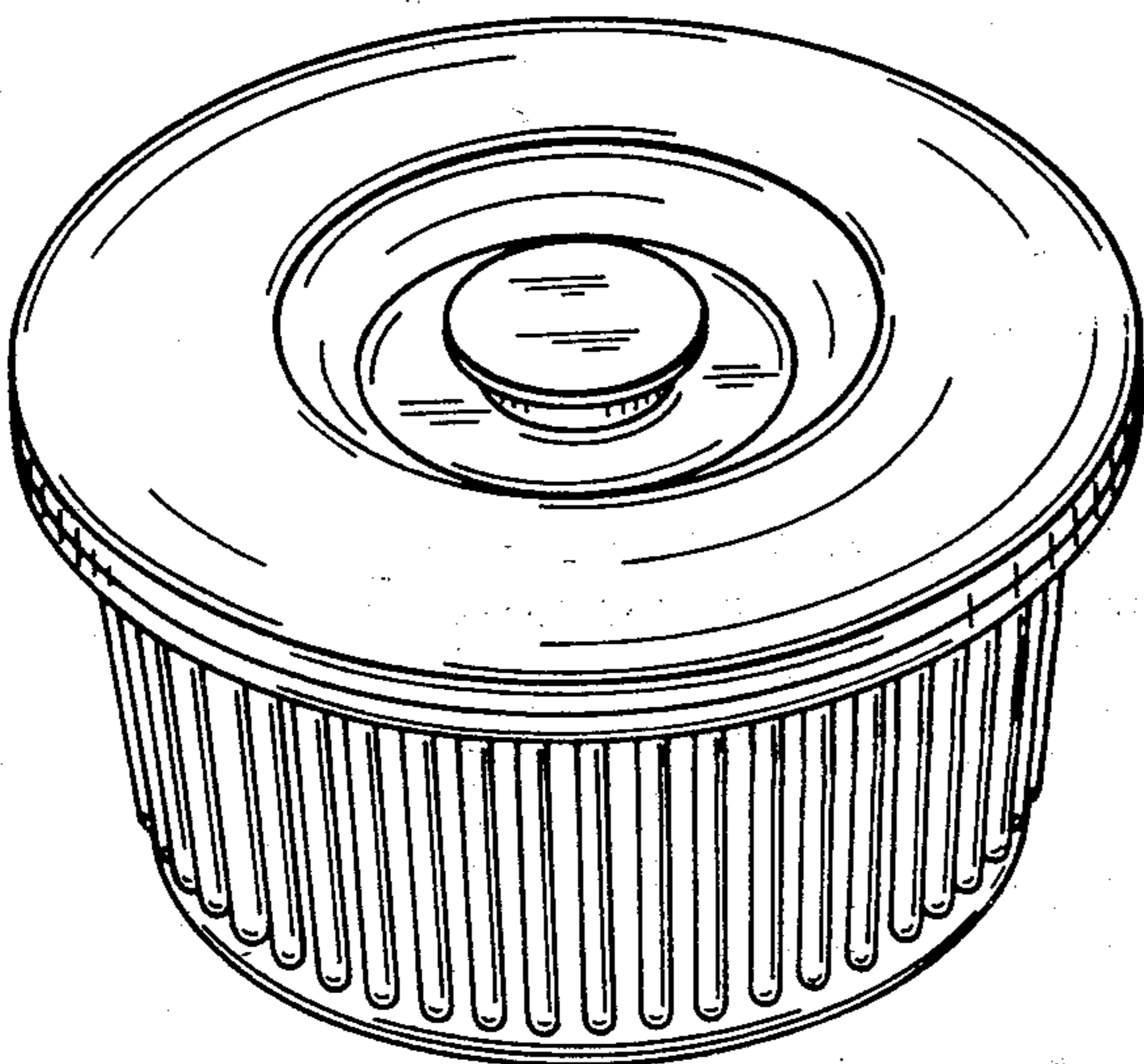
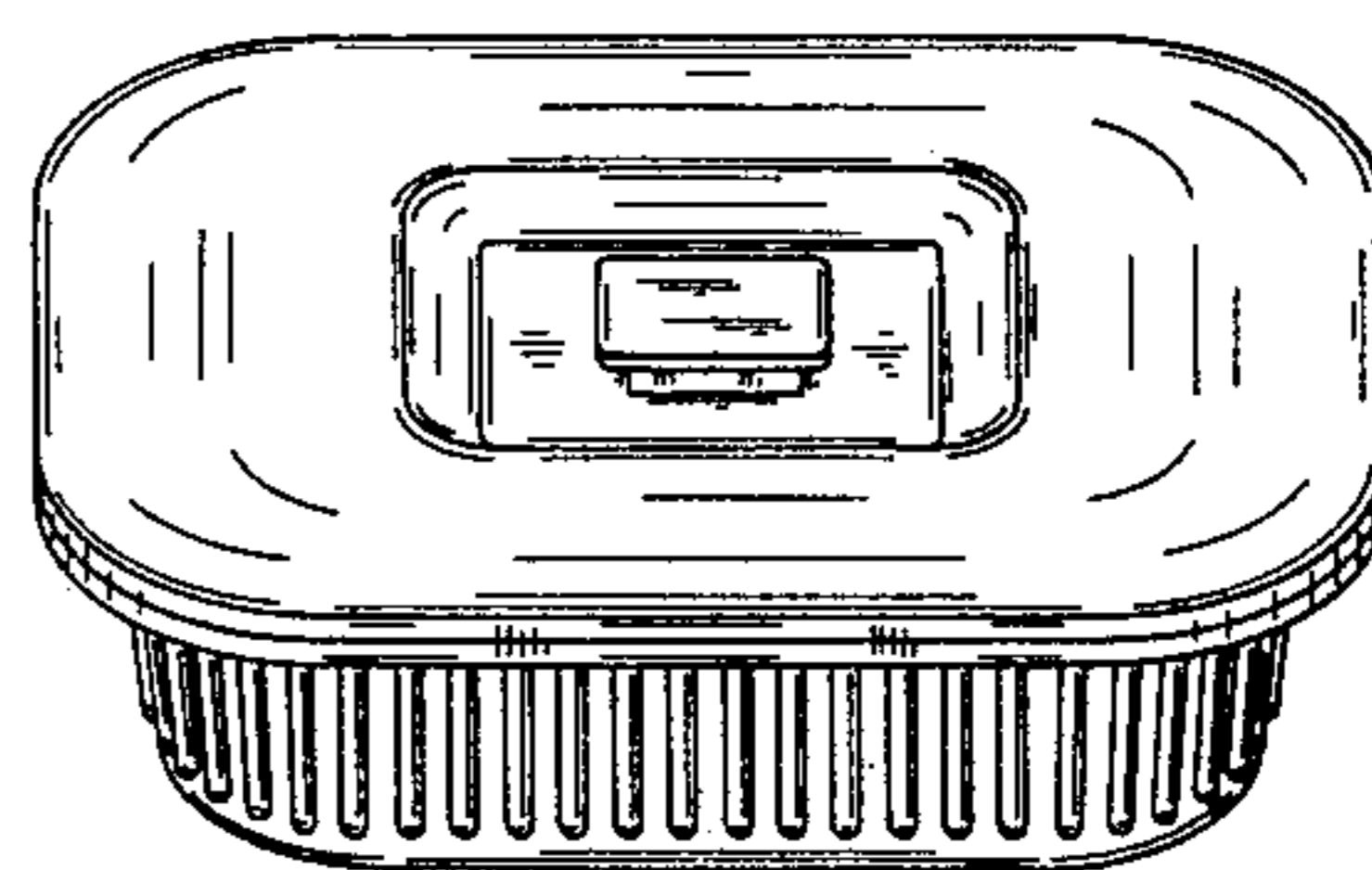
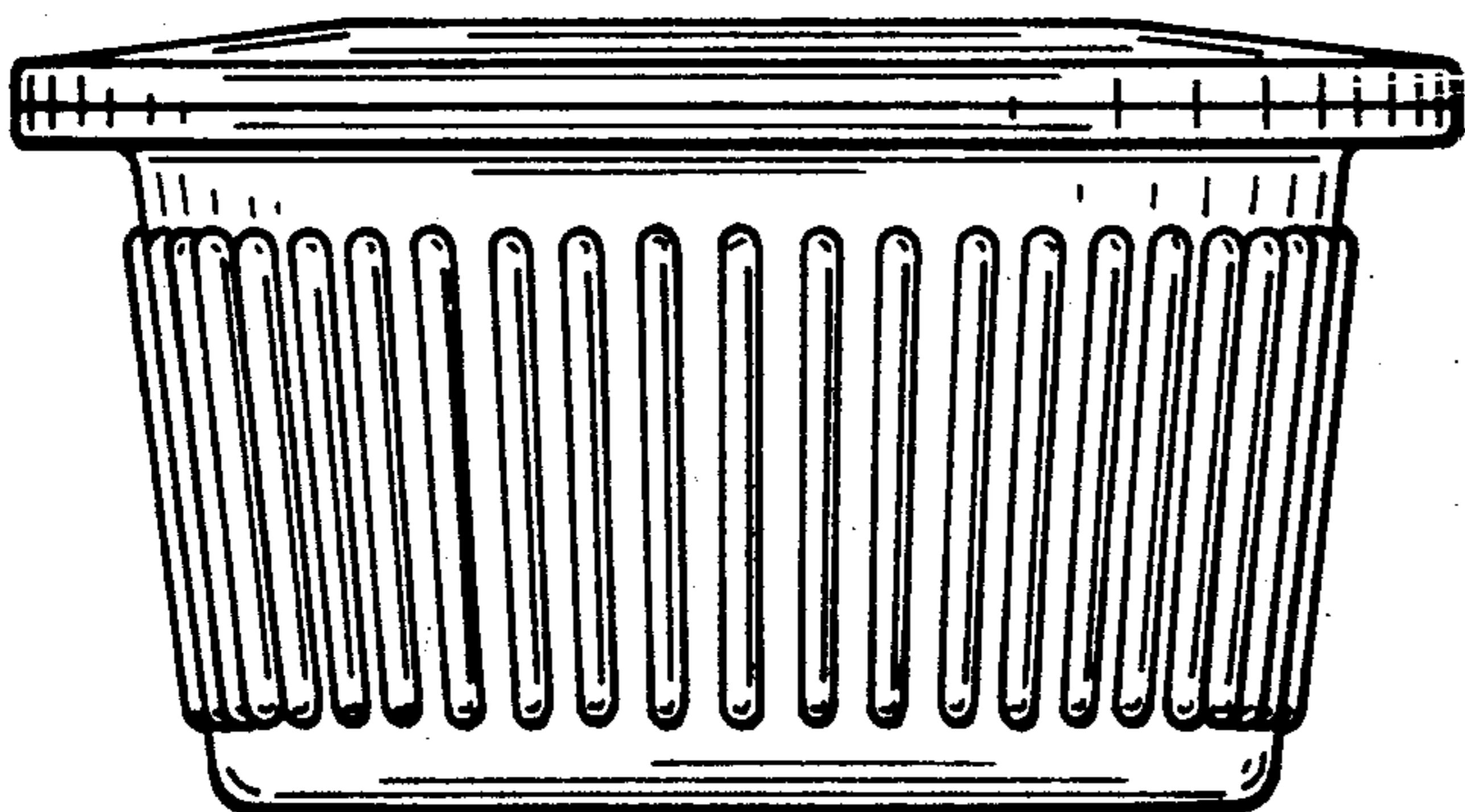
FIG. 5 is an end elevational view;

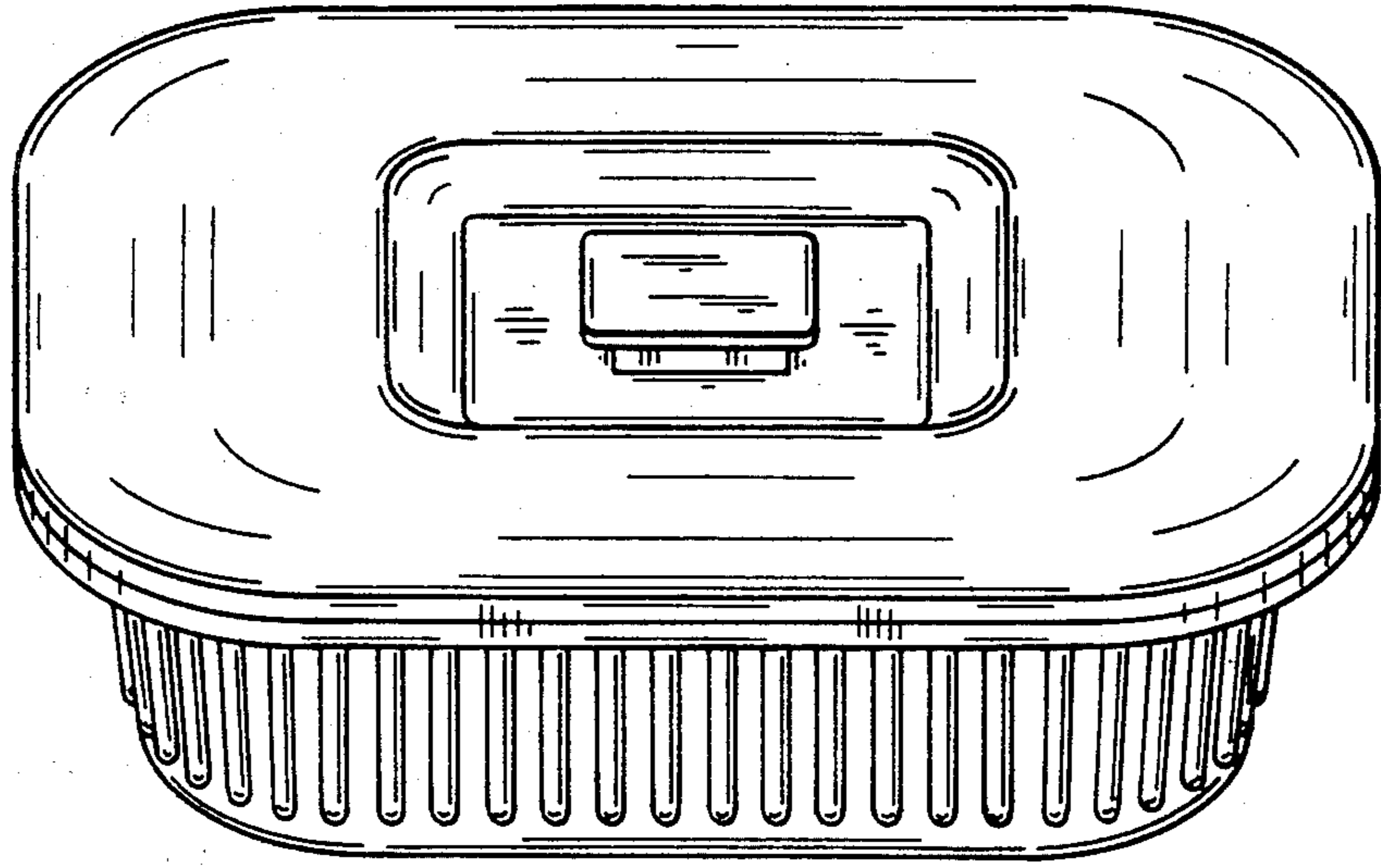
FIG. 6 is a top perspective view of a microwave oven covered dish showing a modification of our new design;

FIG. 7 is a top plan view thereof;

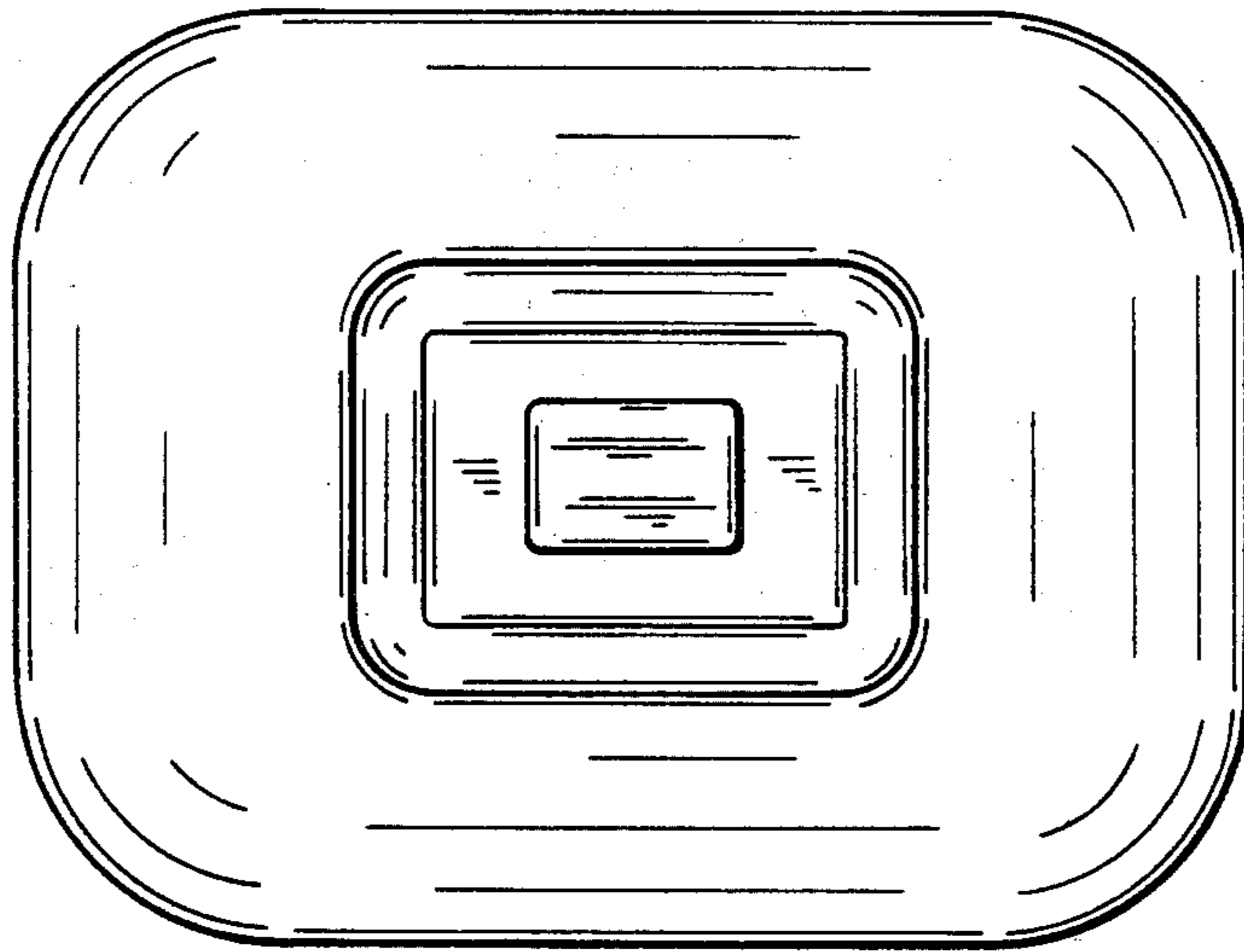
FIG. 8 is a side elevational view thereof;

FIG. 9 is a bottom plan view thereof.

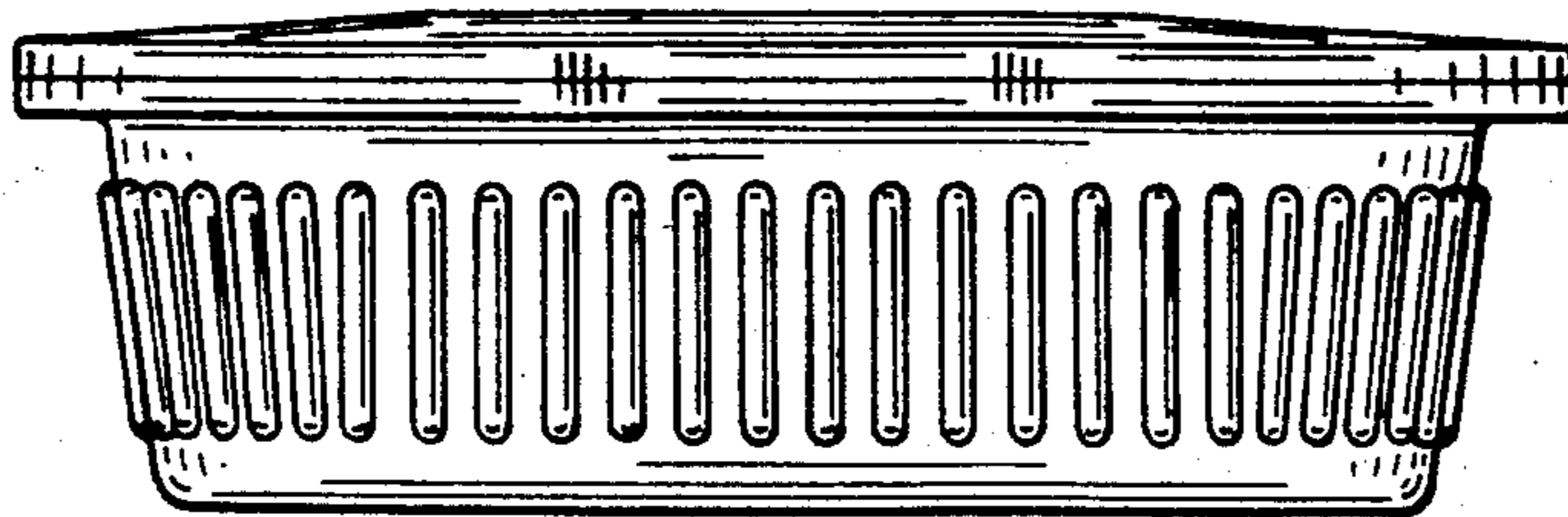




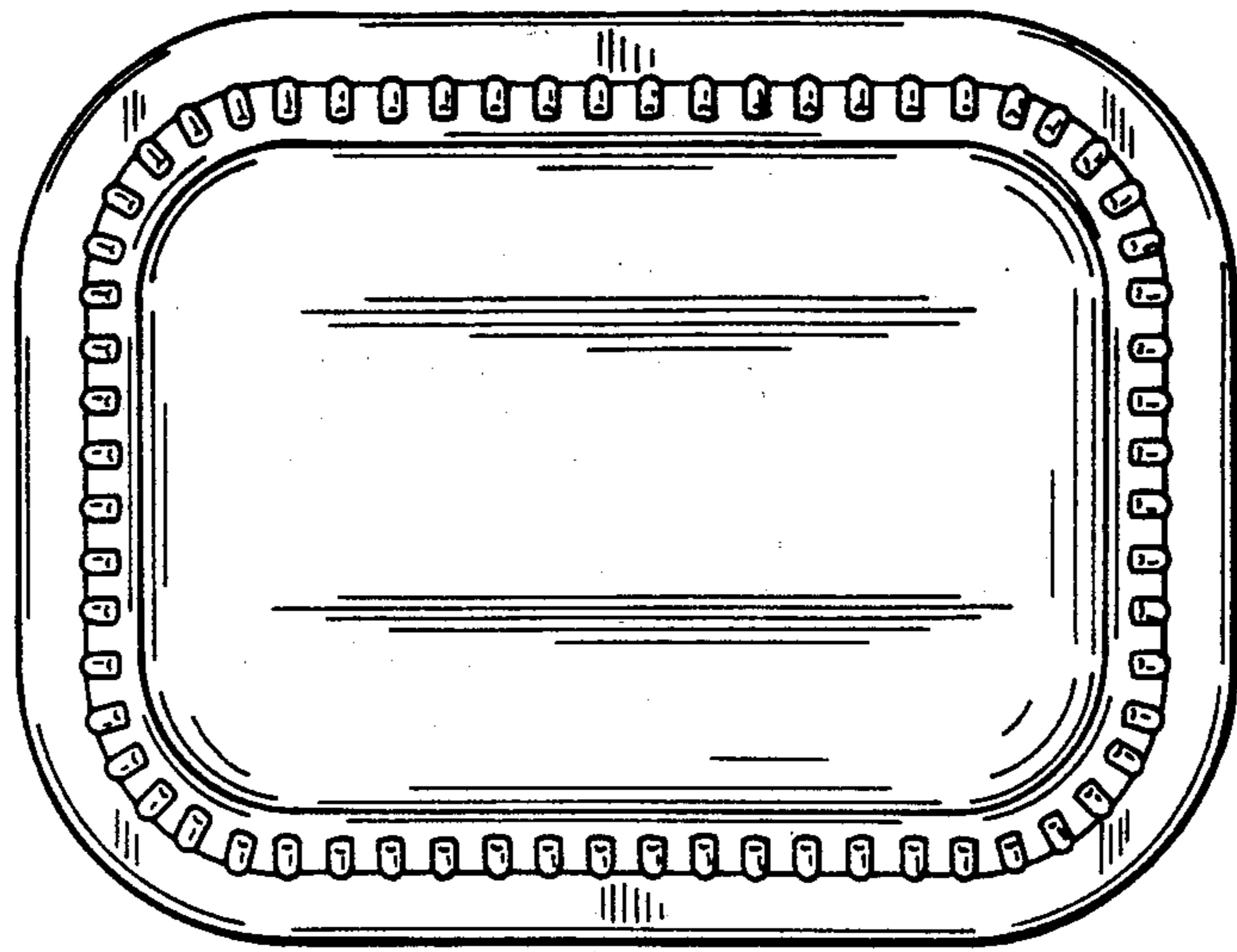
FIG_1



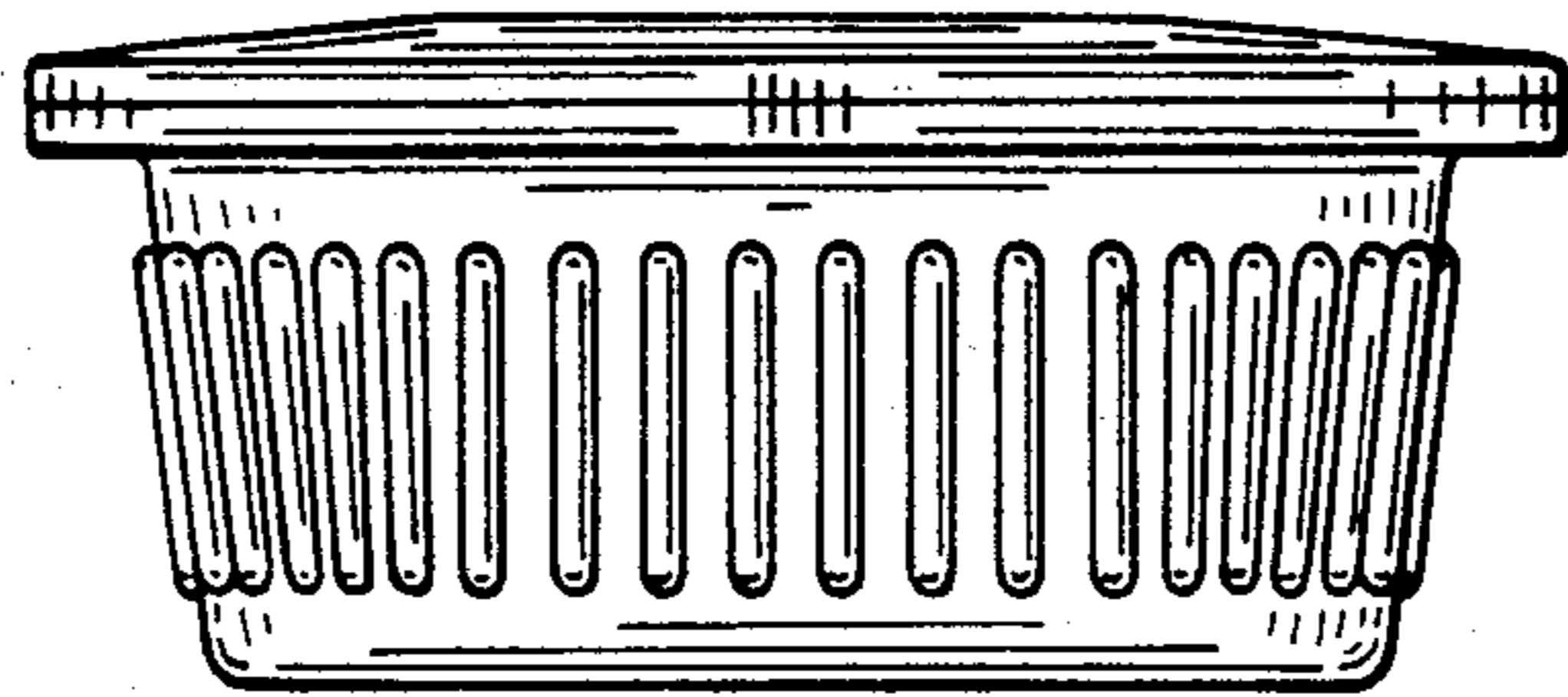
FIG_2



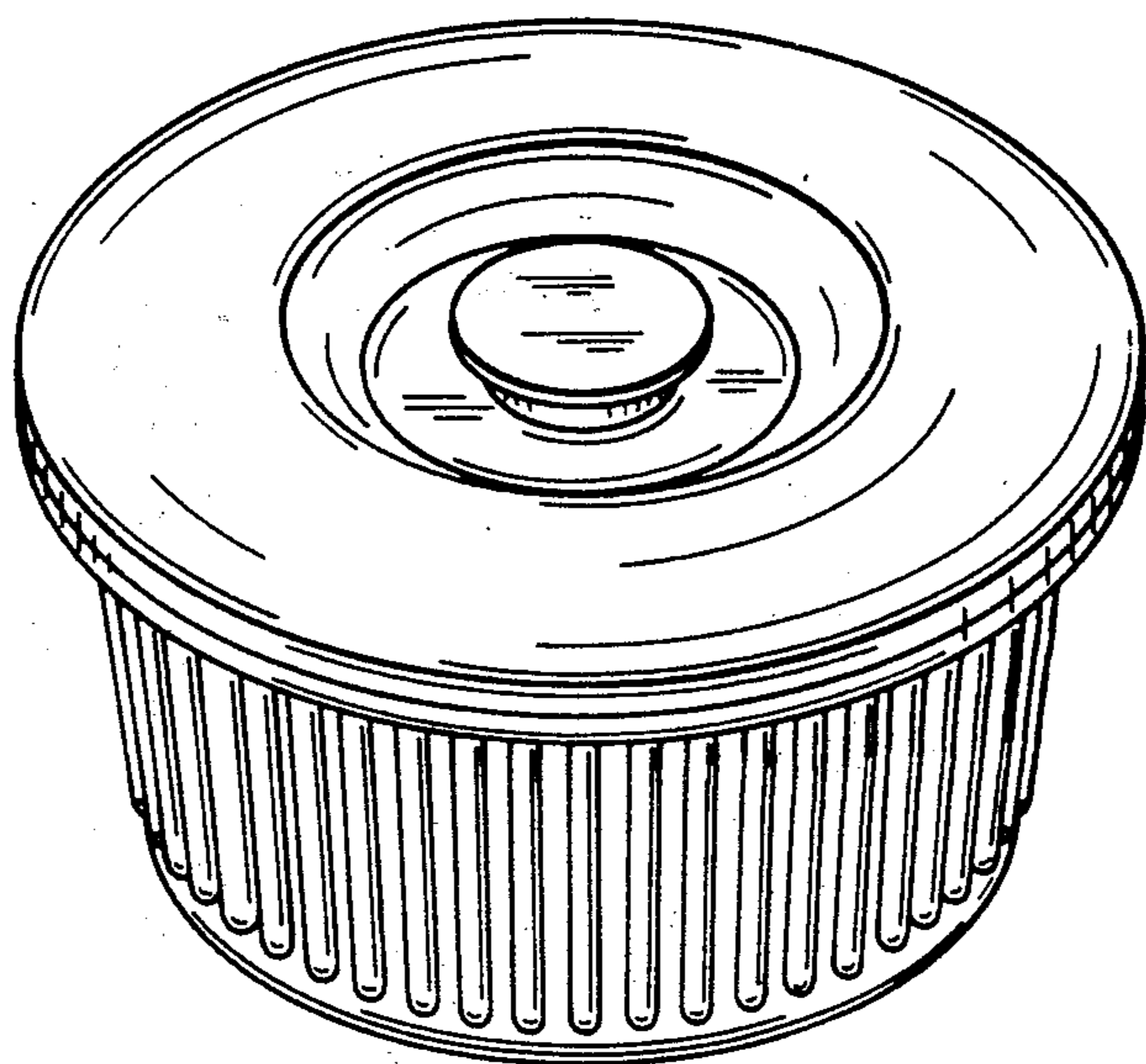
FIG_3



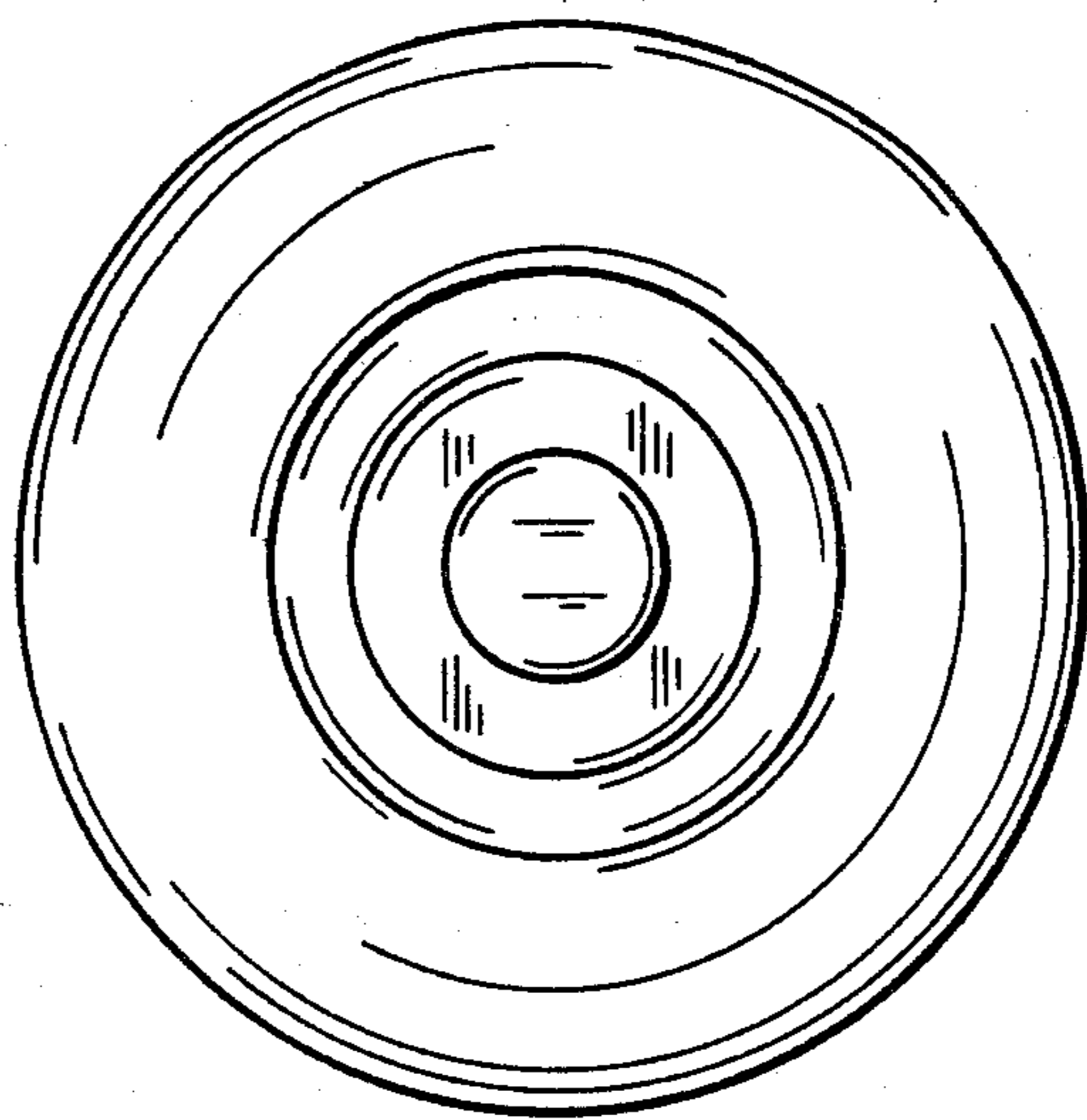
FIG_4



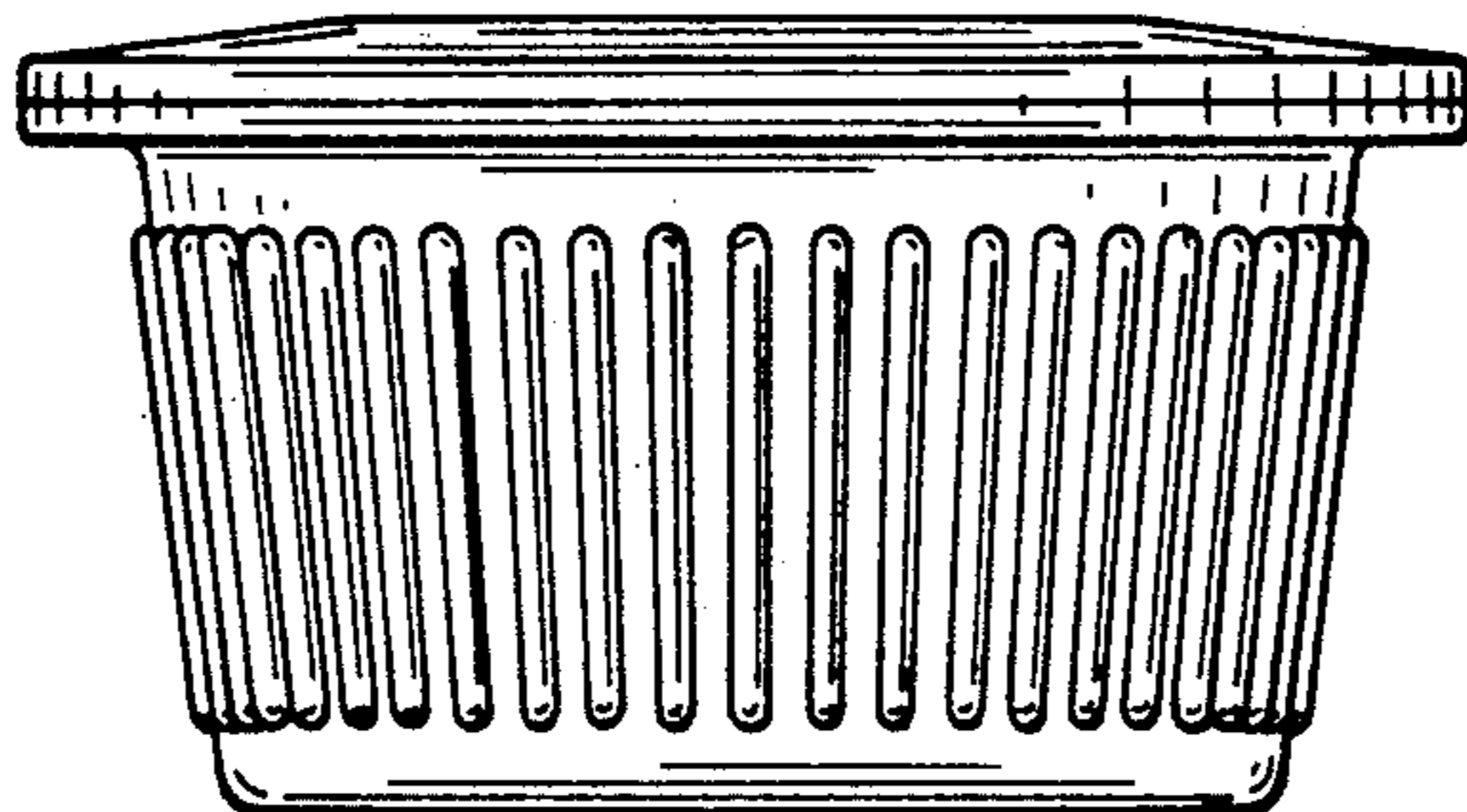
FIG_5



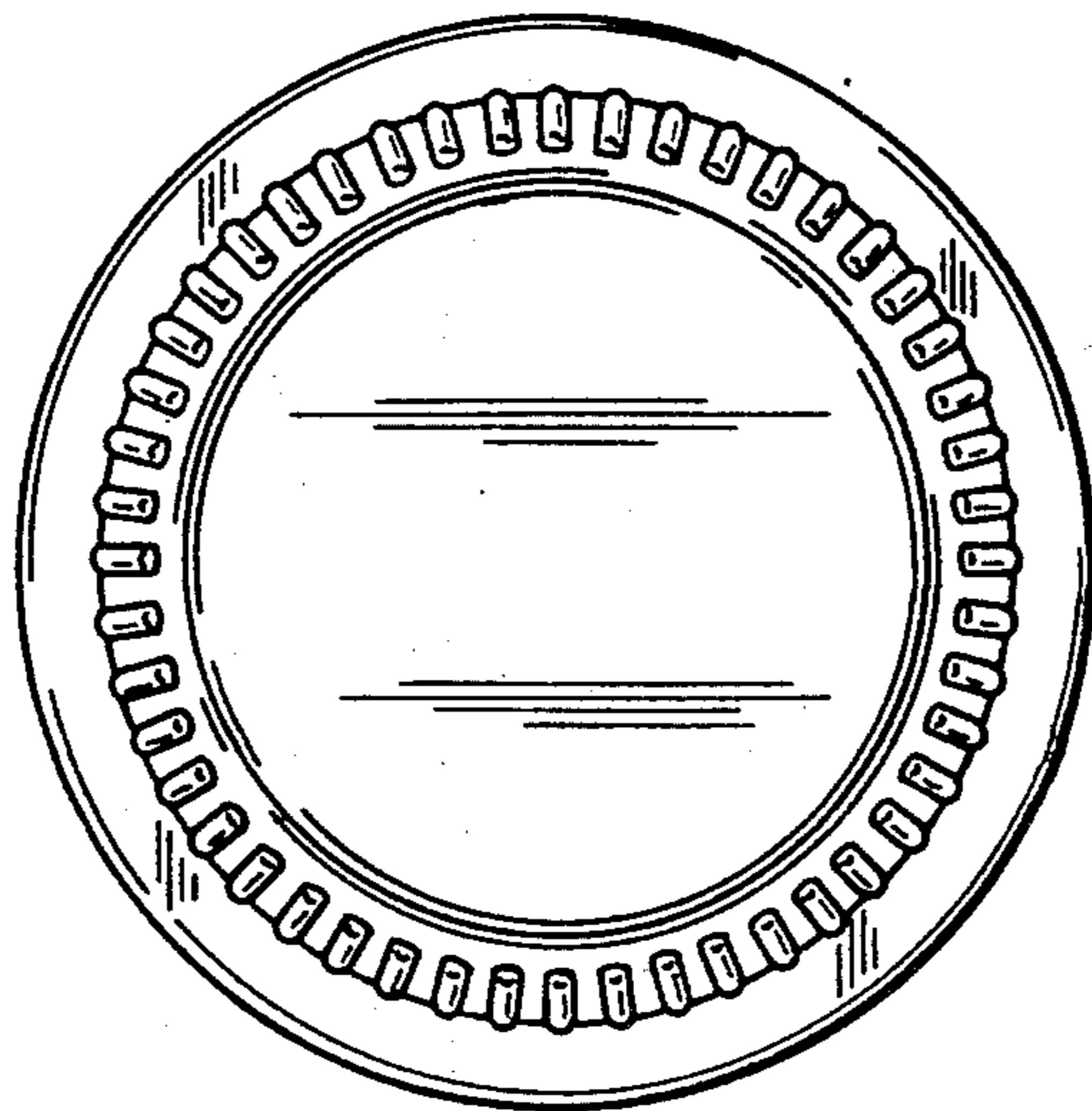
FIG_6



FIG_7



FIG_8



FIG_9