

[54] CARPET DISPLAY STAND

[76] Inventors: James L. Knight, Rte. 7, Cumming, Ga. 30130; Christopher C. Bidwell, 342 Summer Pl., Norcross, Ga. 30071

[\*\*] Term: 14 Years

[21] Appl. No.: 574,027

[22] Filed: Jan. 26, 1984

[52] U.S. Cl. .... D6/409

[58] Field of Search ..... D6/409, 410, 454, 449; 211/13

[56] References Cited

U.S. PATENT DOCUMENTS

- D. 112,512 12/1938 Best ..... D6/409
- D. 177,362 4/1956 Best ..... D6/449
- D. 185,528 6/1959 Best ..... D6/449 X
- D. 220,664 5/1971 Wagoner ..... D6/409

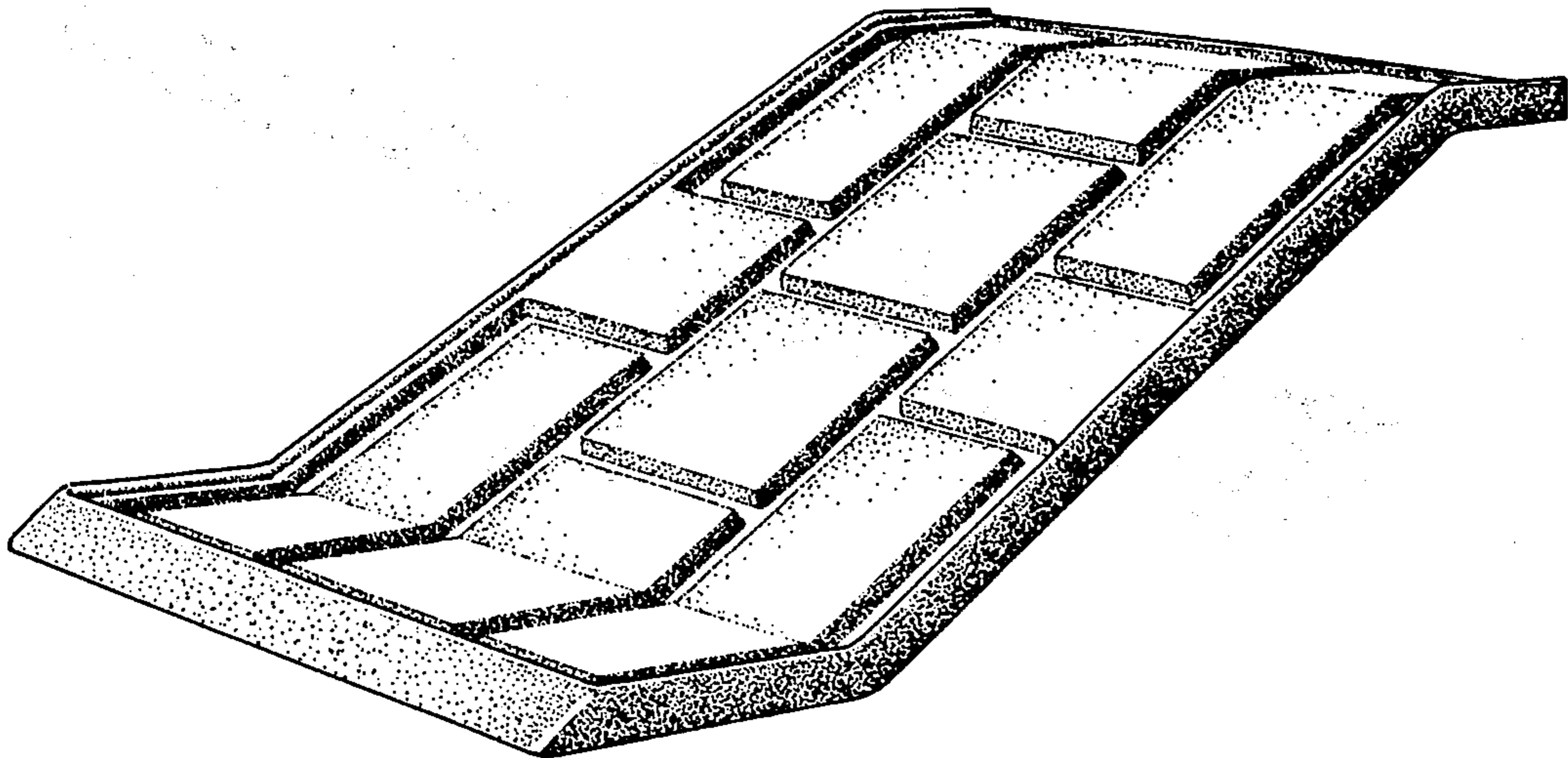
Primary Examiner—Carmen H. Vales  
Attorney, Agent, or Firm—B. J. Powell

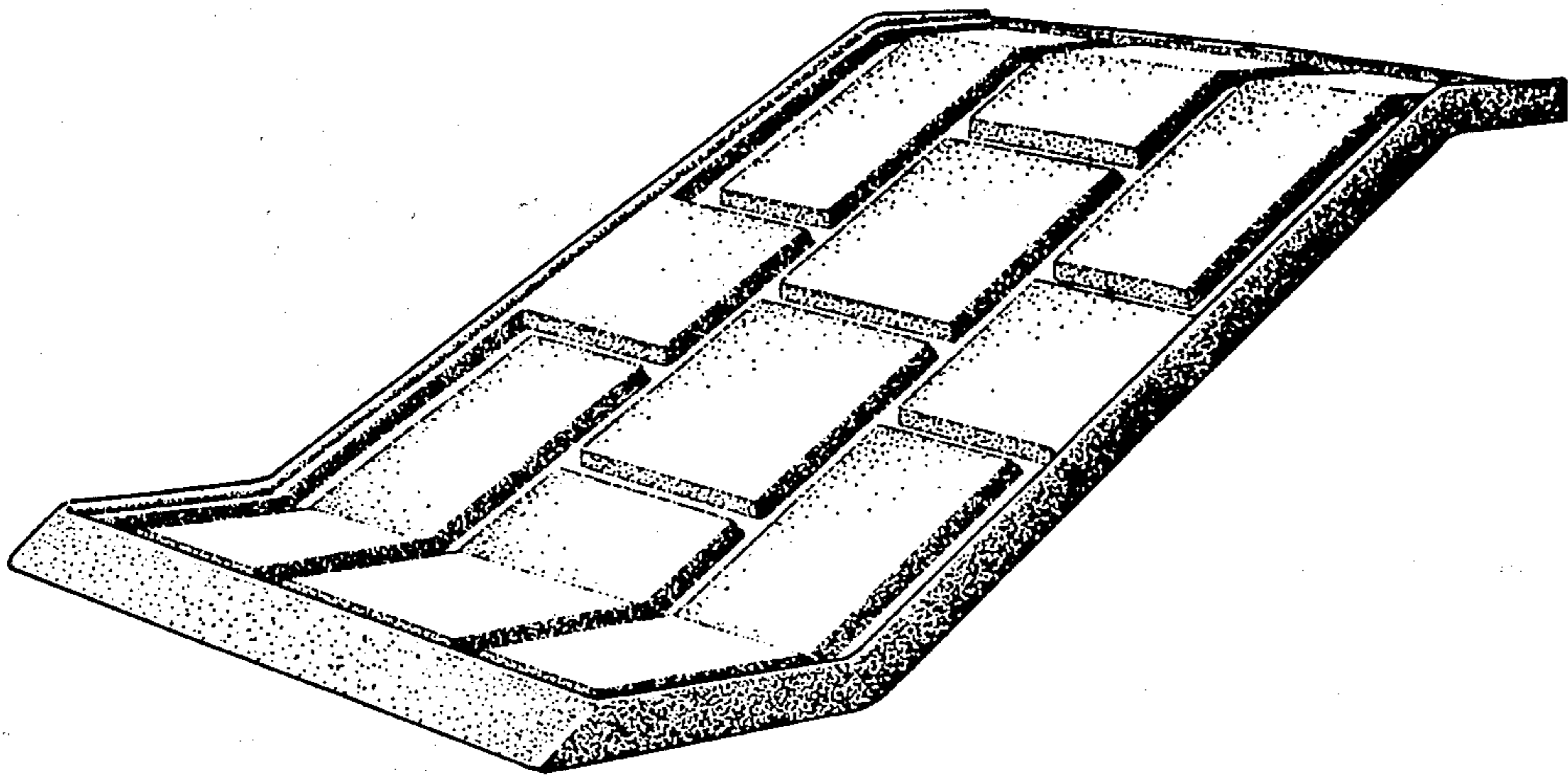
[57] CLAIM

The ornamental design for a carpet display stand, substantially as shown and described.

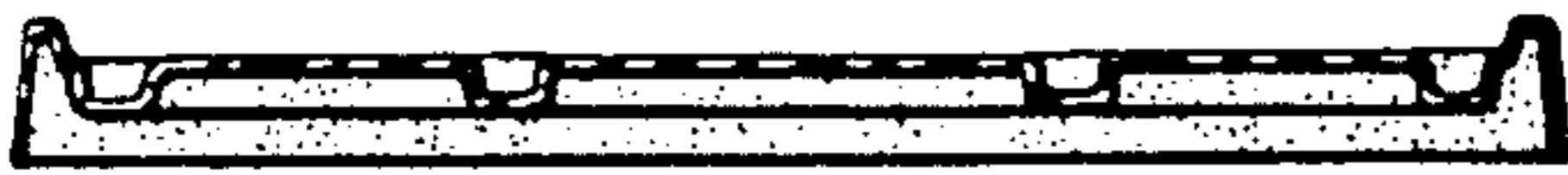
DESCRIPTION

FIG. 1 is a right front perspective view of a carpet display stand embodying our new design; FIG. 2 is a reduced cross-sectional view taken along line 2—2 in FIG. 3; and FIG. 3 is a right rear perspective view thereof.

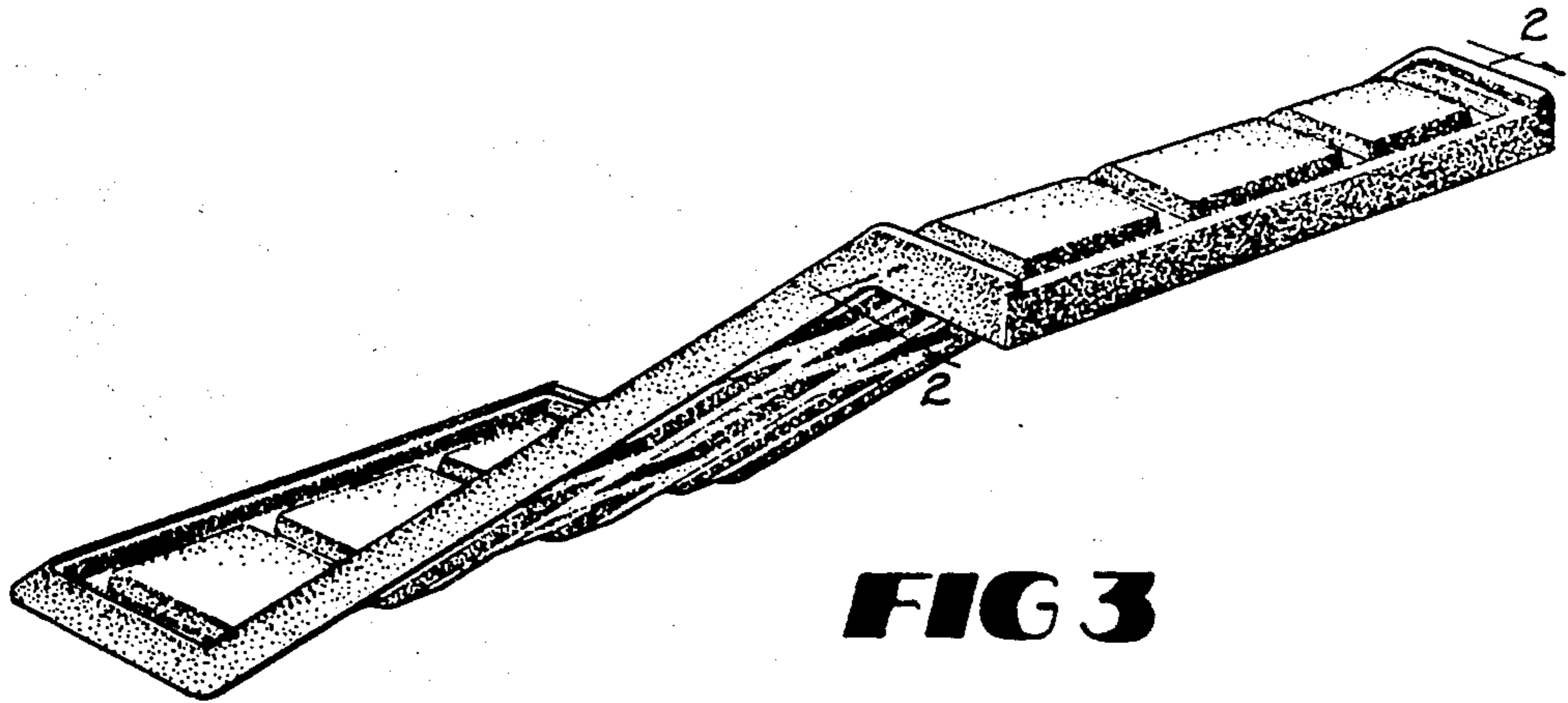




**FIG 1**



**FIG 2**



**FIG 3**