

[54] PALLET

[75] Inventor: Norman J. Teixeira, Santa Maria, Calif.

[73] Assignee: Teixeira Farms, Inc., Santa Maria, Calif.

[**] Term: 14 Years

[21] Appl. No.: 605,196

[22] Filed: Apr. 30, 1984

[52] U.S. Cl. D6/382; D6/503

[58] Field of Search D6/382-395, D6/503-508; 5/400; 108/51.1

[56] References Cited

U.S. PATENT DOCUMENTS

- D. 135,887 6/1943 Pulford D6/504
- D. 256,527 8/1980 Guetat D6/384 X
- 2,651,486 9/1953 Woodward 108/51.1 X

- 2,873,935 2/1959 Depew et al. 108/51.1
- 3,204,583 9/1965 Nicholson 108/51.1
- 3,474,744 10/1969 Montgomery 108/51.1
- 3,602,157 8/1971 Cohen et al. 108/51.1
- 4,292,899 10/1981 Steffen 108/51.1

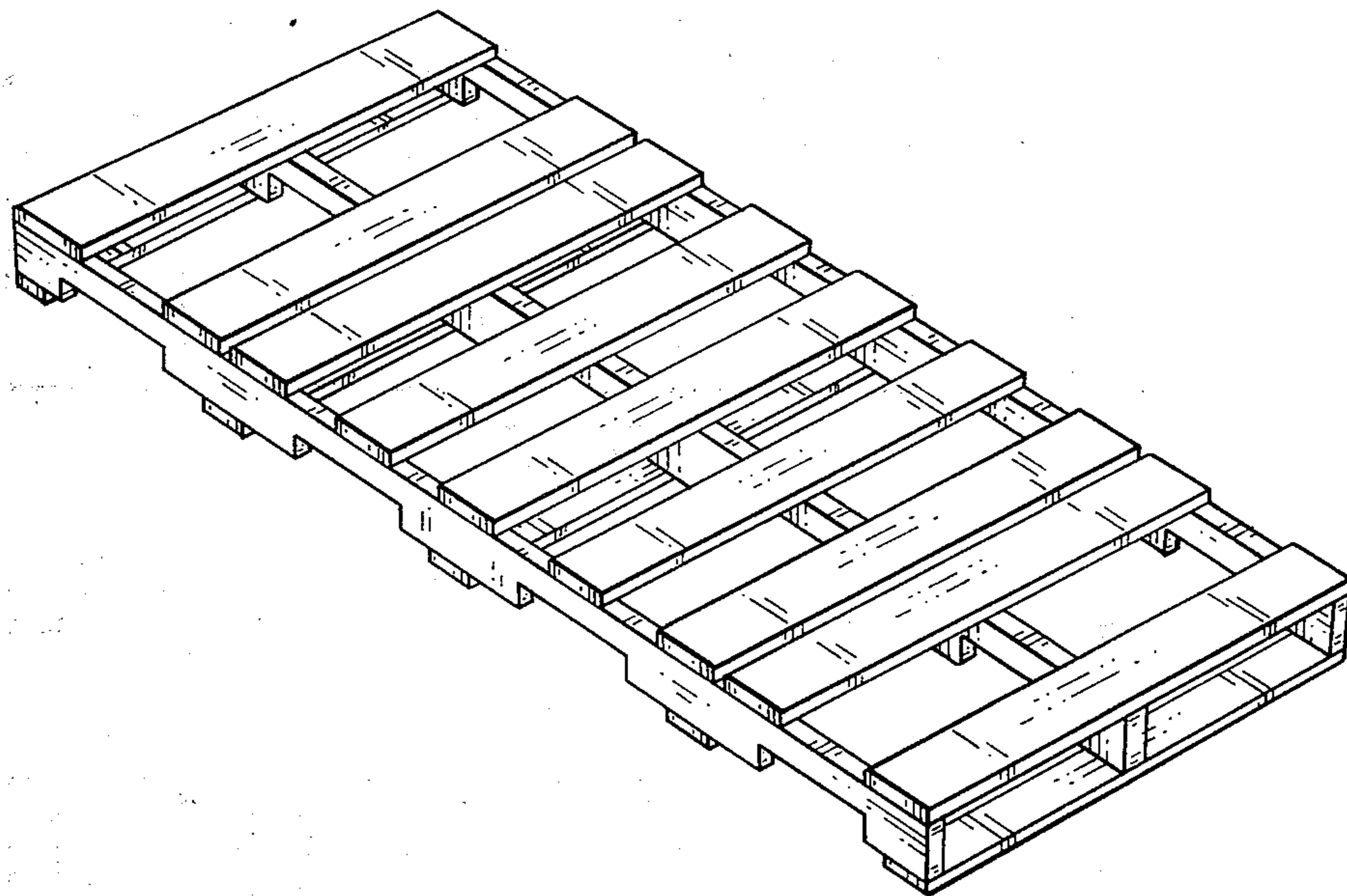
Primary Examiner—Bernard Ansher
Assistant Examiner—Linda Titolo
Attorney, Agent, or Firm—Kelly, Bauersfeld & Lowry

[57] CLAIM

The ornamental design for a pallet, substantially as shown.

DESCRIPTION

FIG. 1 is a top front and right side perspective view of a pallet, showing my new design;
FIG. 2 is a left side elevational view thereof;
FIG. 3 is a top plan view thereof;
FIG. 4 is a rear elevational view thereof; and
FIG. 5 is a bottom plan view thereof.



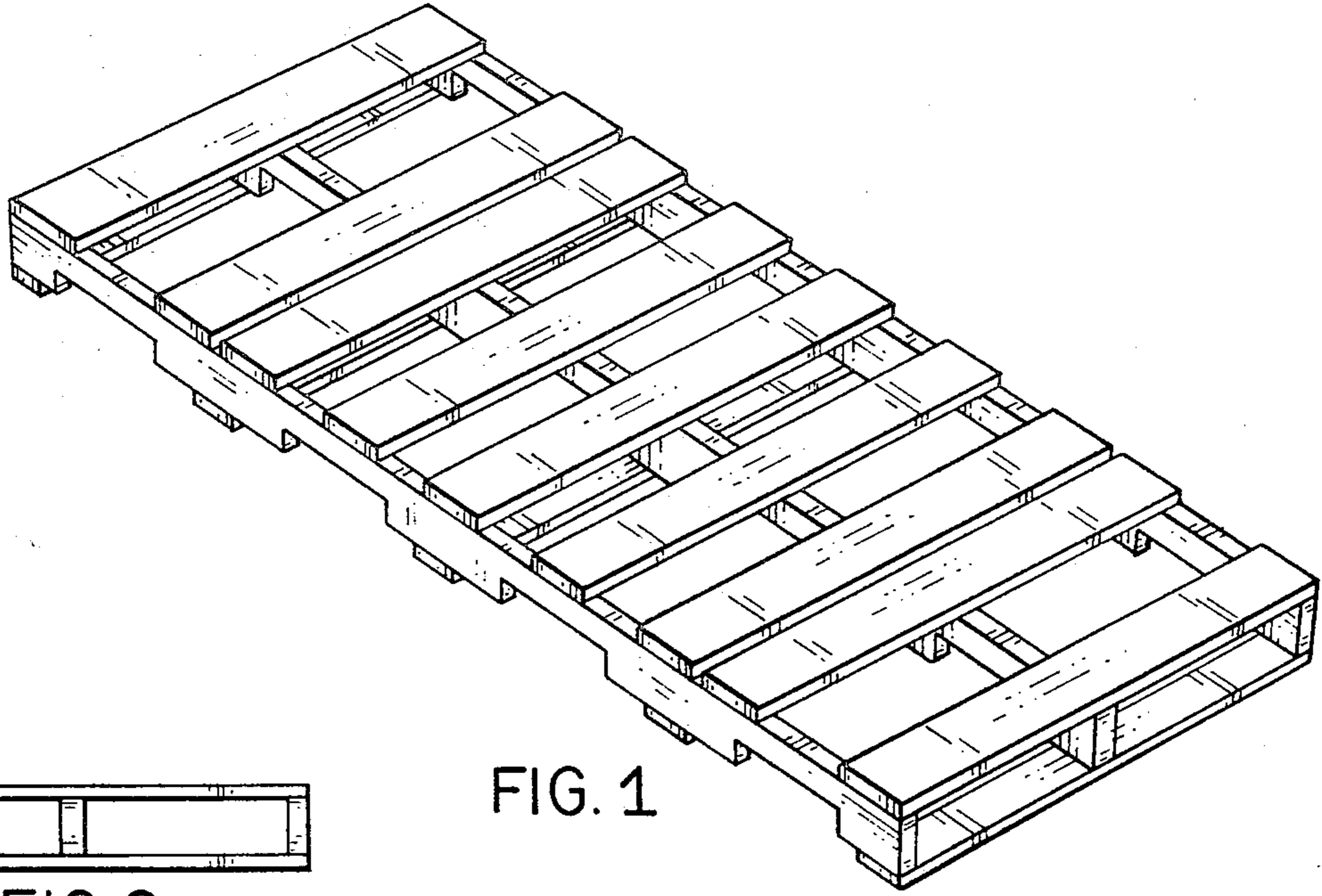


FIG. 1



FIG. 2

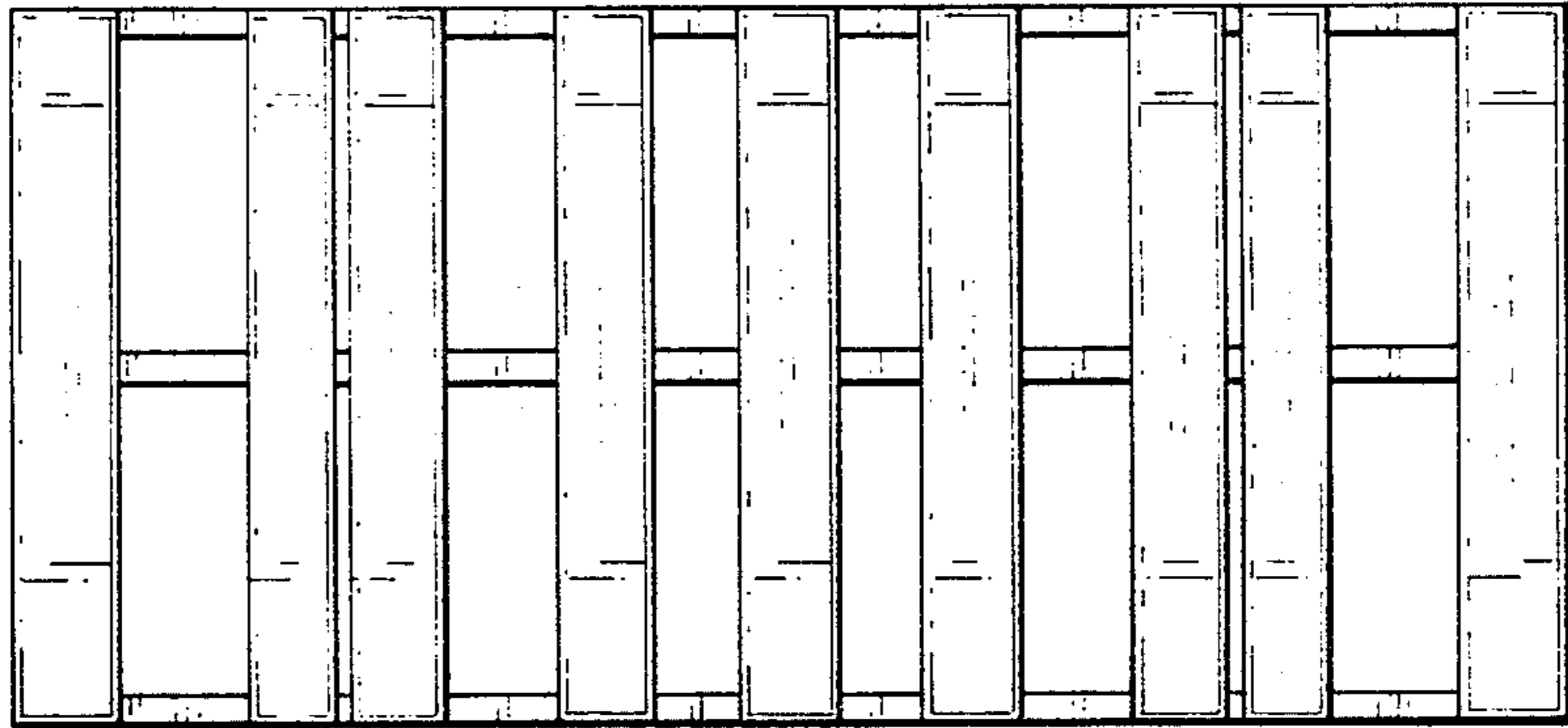


FIG. 3



FIG. 4



FIG. 5