

[54] MAILBOX COVER

[76] Inventor: Thom Lindheimer, Rte. 1, P.O. Box 240, Castle Hayne, N.C. 28429

[**] Term: 14 Years

[21] Appl. No.: 602,283

[22] Filed: Apr. 20, 1984

[52] U.S. Cl. D99/30; D6/345; D11/162; D21/160; D22/132

[58] Field of Search D6/345; D21/160; D22/21, 18; D11/162, 158; D99/29, 30, 99; 43/2, 3; 232/17, 34, 21, 1 C; D9/310, 317, 307

[56] References Cited

U.S. PATENT DOCUMENTS

D. 118,696	1/1940	Driver	D99/29
D. 204,211	3/1966	Falhgren	D22/18 X
D. 229,177	11/1973	Schwartztrauber	D22/21
D. 263,385	3/1982	Walker	D11/158
4,172,335	10/1979	Farmer	43/3
4,368,842	1/1983	De Lange, III	232/17

4,375,869 3/1983 Hatch 232/17

OTHER PUBLICATIONS

Orvis® Clothing and Gifts, Fall 1983 catalogue, p. 40, bottom left Mailbox #X0247-60-00 "Tidewater Mailbox".

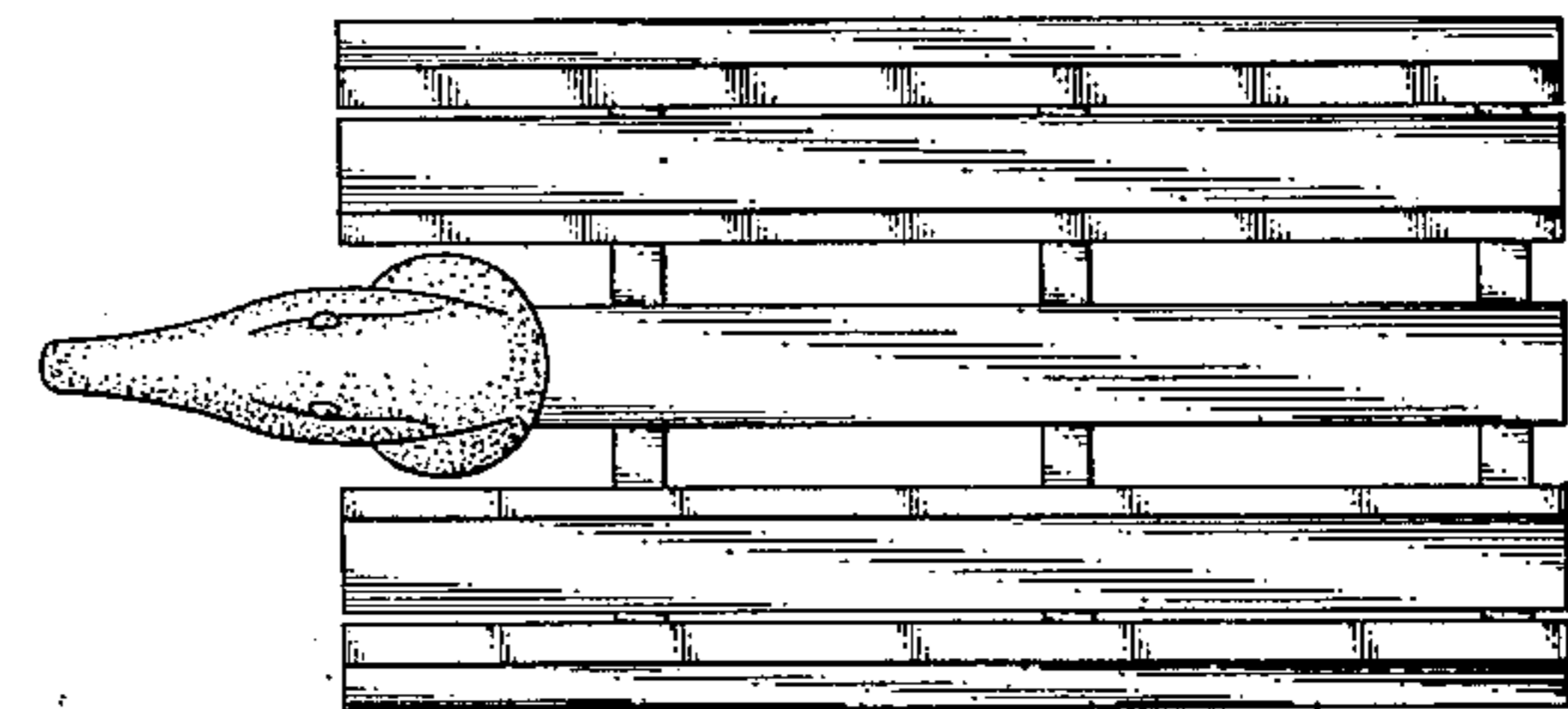
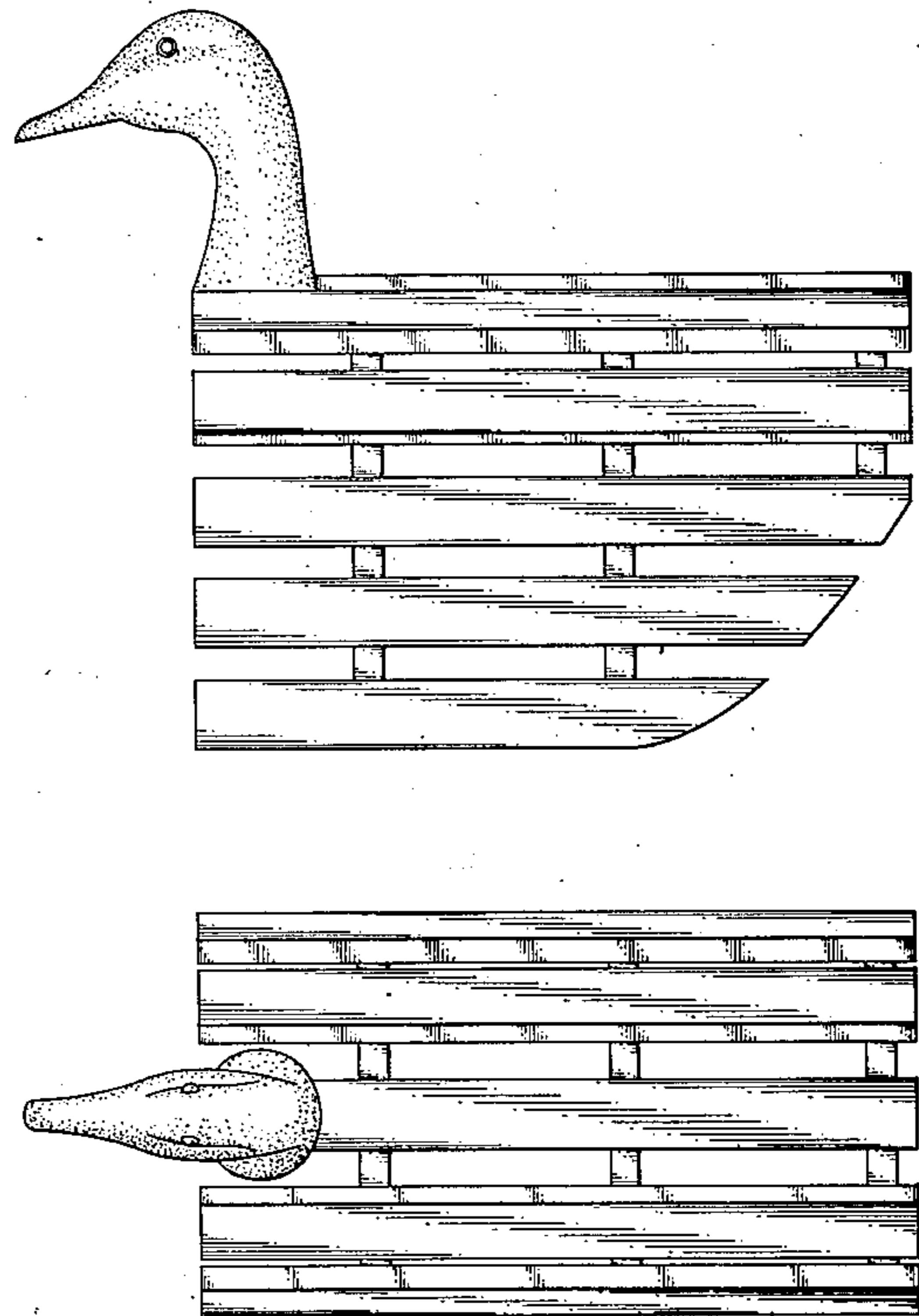
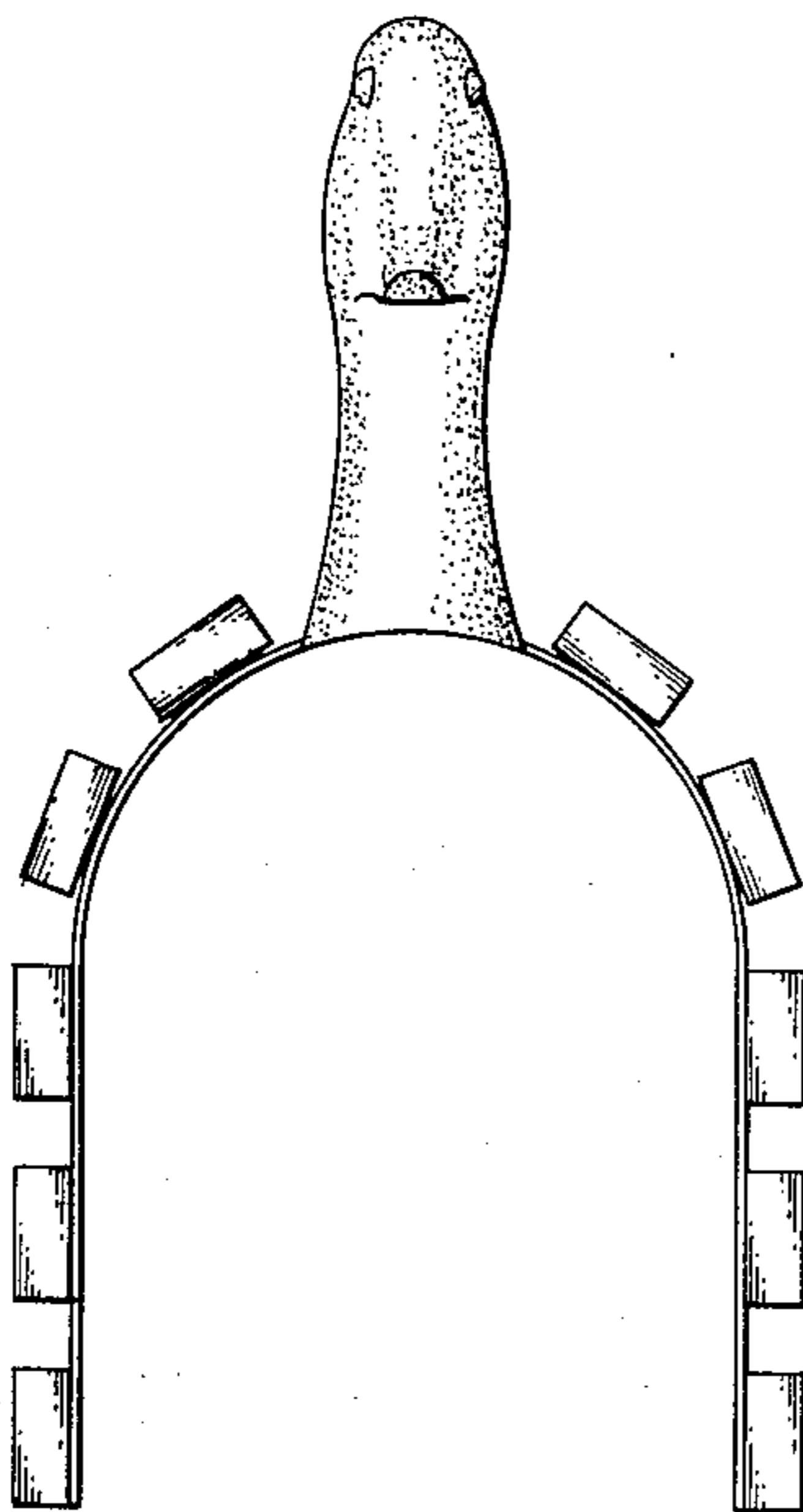
Primary Examiner—Winifred E. Herrmann
Attorney, Agent, or Firm—Dowell & Dowell

[57] CLAIM

The ornamental design for a mailbox cover, as shown and described.

DESCRIPTION

FIG. 1 is a right side elevational view of a mailbox cover showing my new design; FIG. 2 is a top plan view thereof; FIG. 3 is a front elevational view thereof; FIG. 4 is a rear elevational view thereof; and FIG. 5 is a bottom plan view thereof. A side elevational view taken from the left side of the mailbox cover would be a mirror image of FIG. 1.



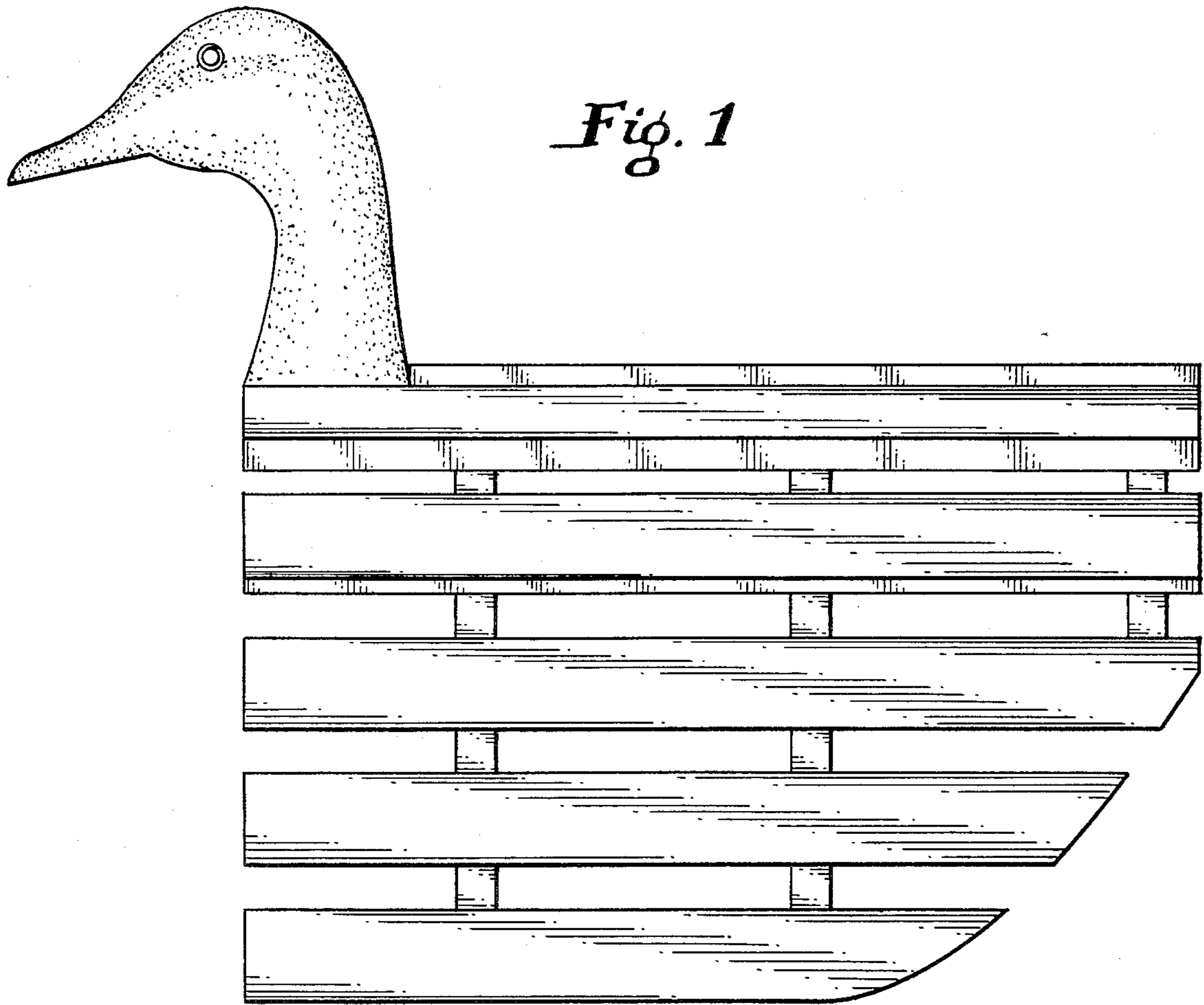


Fig. 1

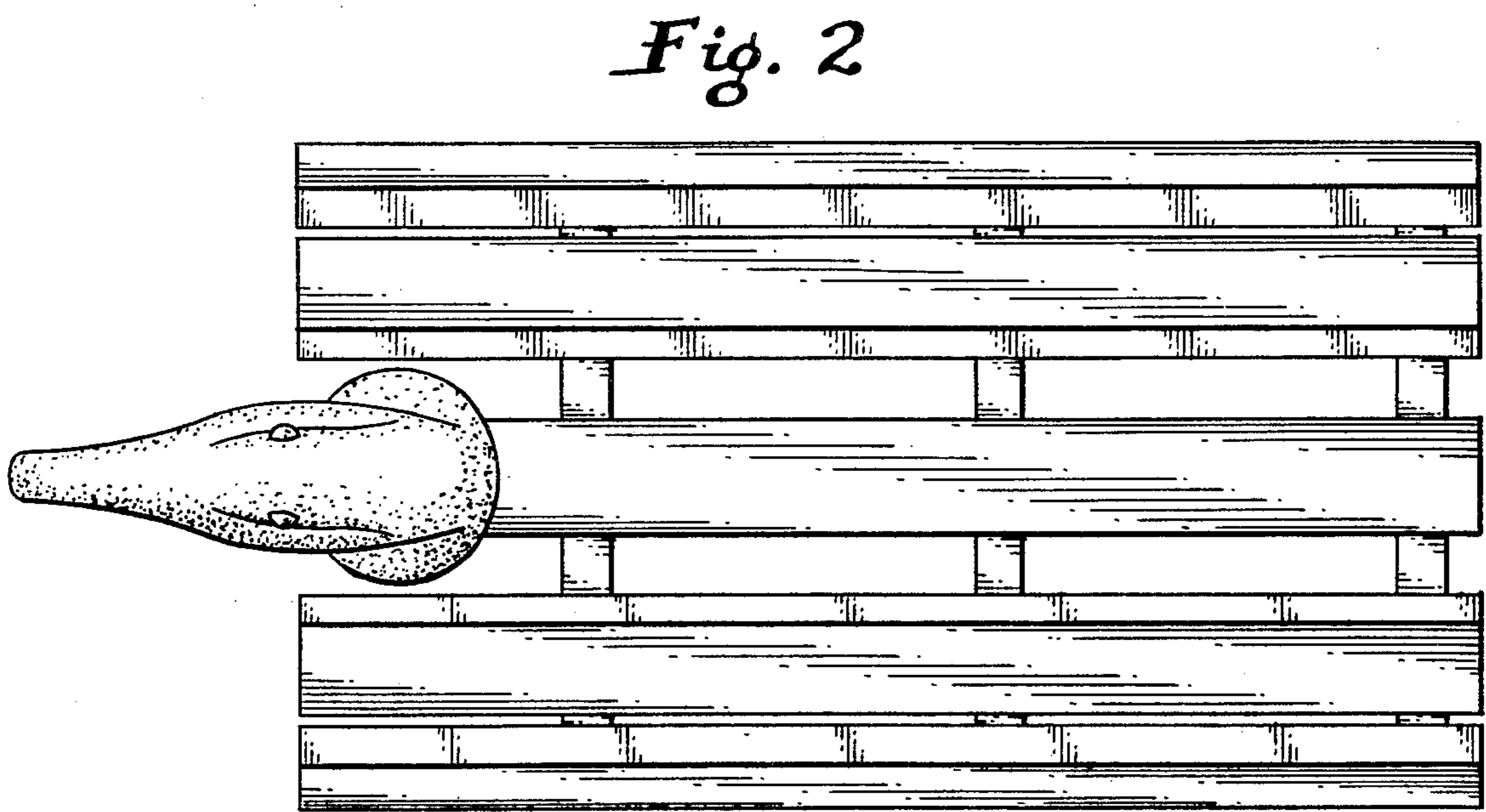


Fig. 2

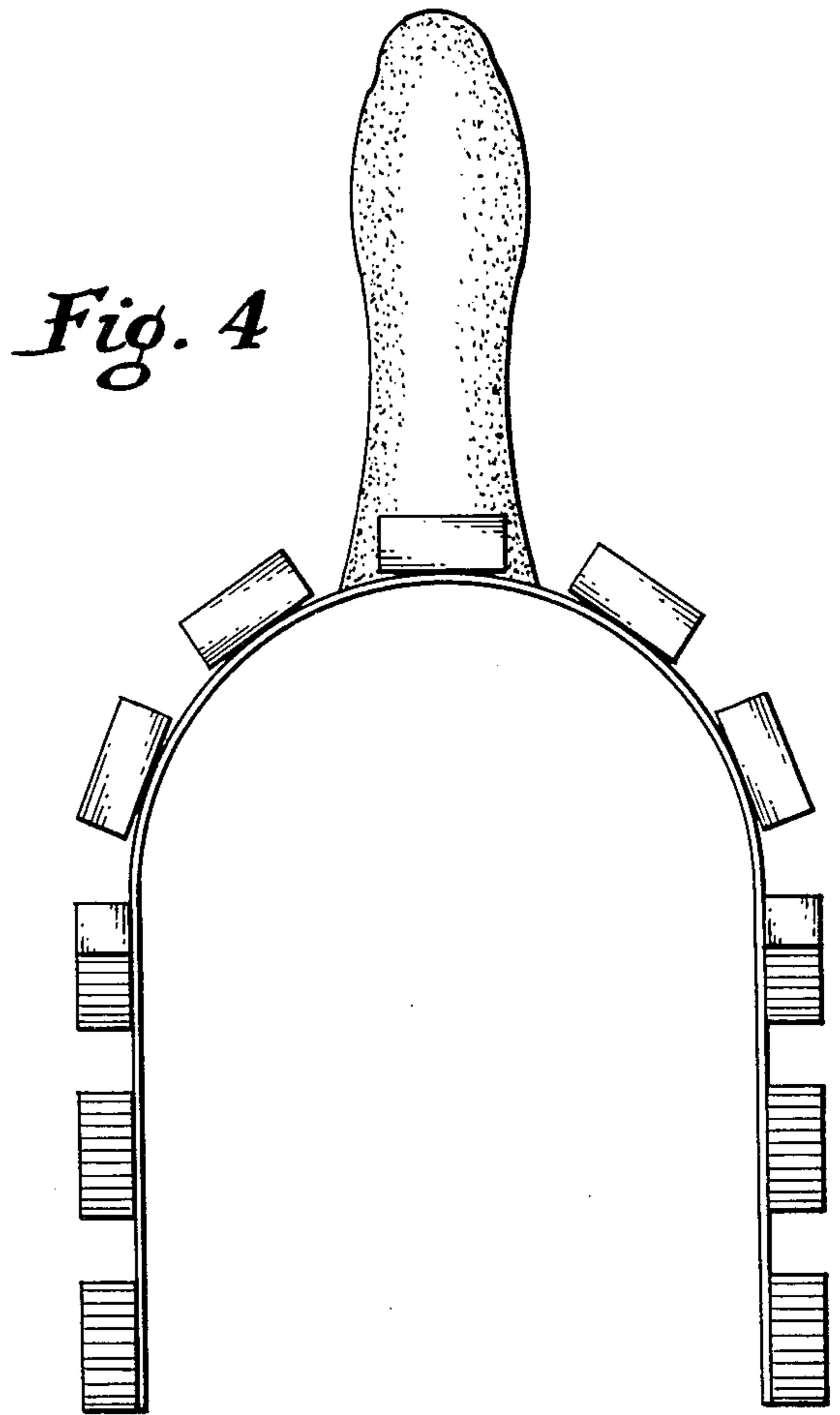
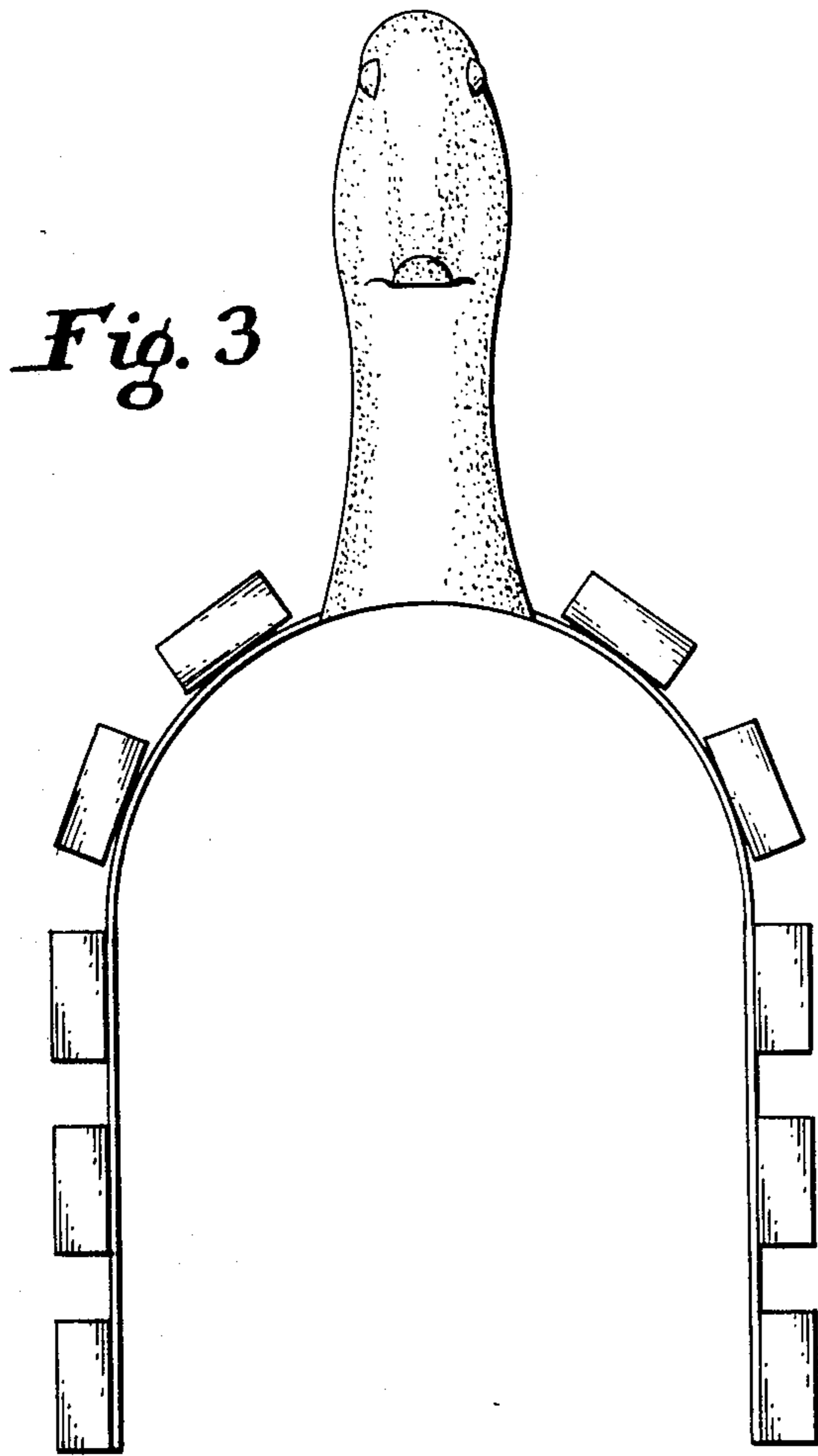


Fig. 5

