

[54] VACUUM CLEANER HOSE ADAPTER

4,168,564 9/1979 Grabovez 174/47
4,317,664 3/1982 Ciummo 15/377

[75] Inventors: Joseph Genoa, Freeport; Harold Kaskel, Long Beach, both of N.Y.; Carl Nelson, Wyckoff, N.J.

[73] Assignee: Atlantic Vacuum Parts Corp., Long Beach, N.Y.

[**] Term: 14 Years

[21] Appl. No.: 648,642

[22] Filed: Sep. 7, 1984

[52] U.S. Cl. D32/32

[58] Field of Search D32/25, 31-34;
15/327 R, 377, 410-411, 347, 143 R-145;
138/120; 339/7, 15, 16 R; 285/7; 174/47

[56] References Cited

U.S. PATENT DOCUMENTS

3,167,330	1/1965	Draudt	285/7
3,211,823	10/1965	Brown et al.	339/15
3,314,039	4/1967	Opper	285/7
3,534,317	10/1970	Descarries et al.	339/15 R
3,961,647	6/1976	Doubleday	174/47

OTHER PUBLICATIONS

Electrical Merchandising, vol. 76, Nov. 1, '46 Apex Vacuum Cleaner Adapter.

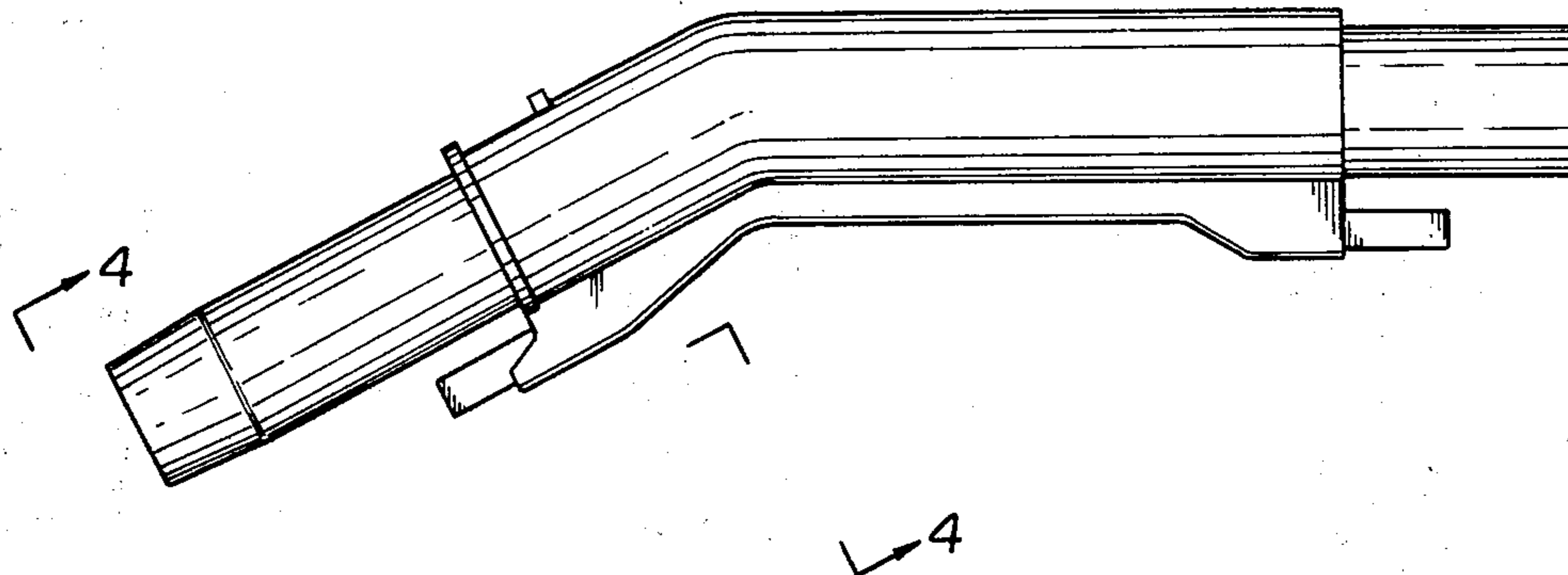
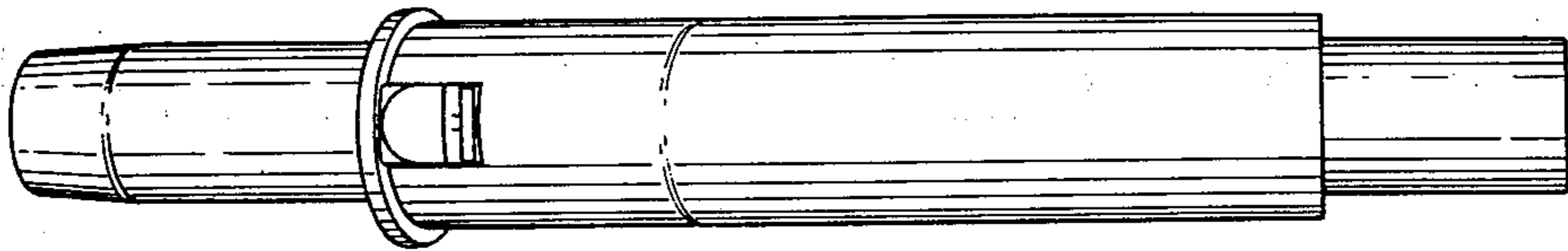
Primary Examiner—Wallace R. Burke
Assistant Examiner—Ruth E. Takemoto
Attorney, Agent, or Firm—Frishauf, Holtz, Goodman & Woodward

[57] CLAIM

The ornamental design for a vacuum cleaner hose adapter, substantially as shown and described.

DESCRIPTION

FIG. 1 is a top plan view of a vacuum cleaner hose adapter showing our new design;
FIG. 2 is a side elevational view thereof, the opposite side being a mirror image;
FIG. 3 is a bottom plan view thereof;
FIG. 4 is an end elevational view looking in the direction of lines 4-4 in FIG. 2;
FIG. 5 is a left end elevational view thereof; and
FIG. 6 is a right end elevational view thereof.



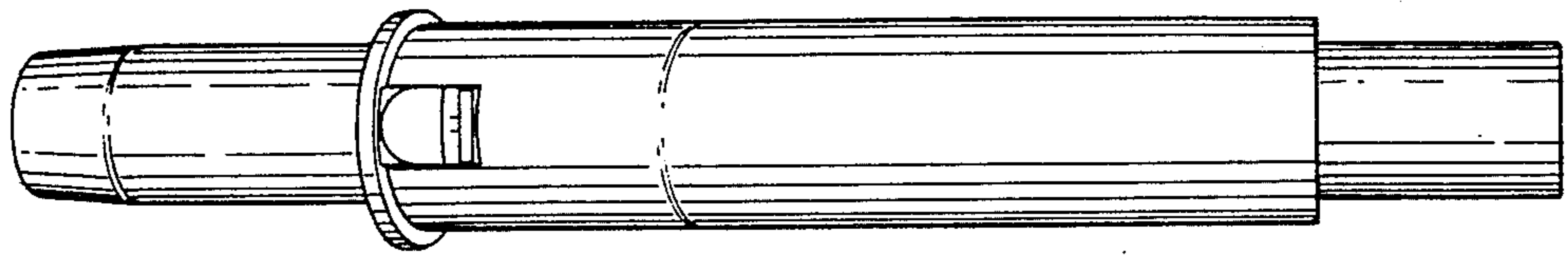


FIG. 1

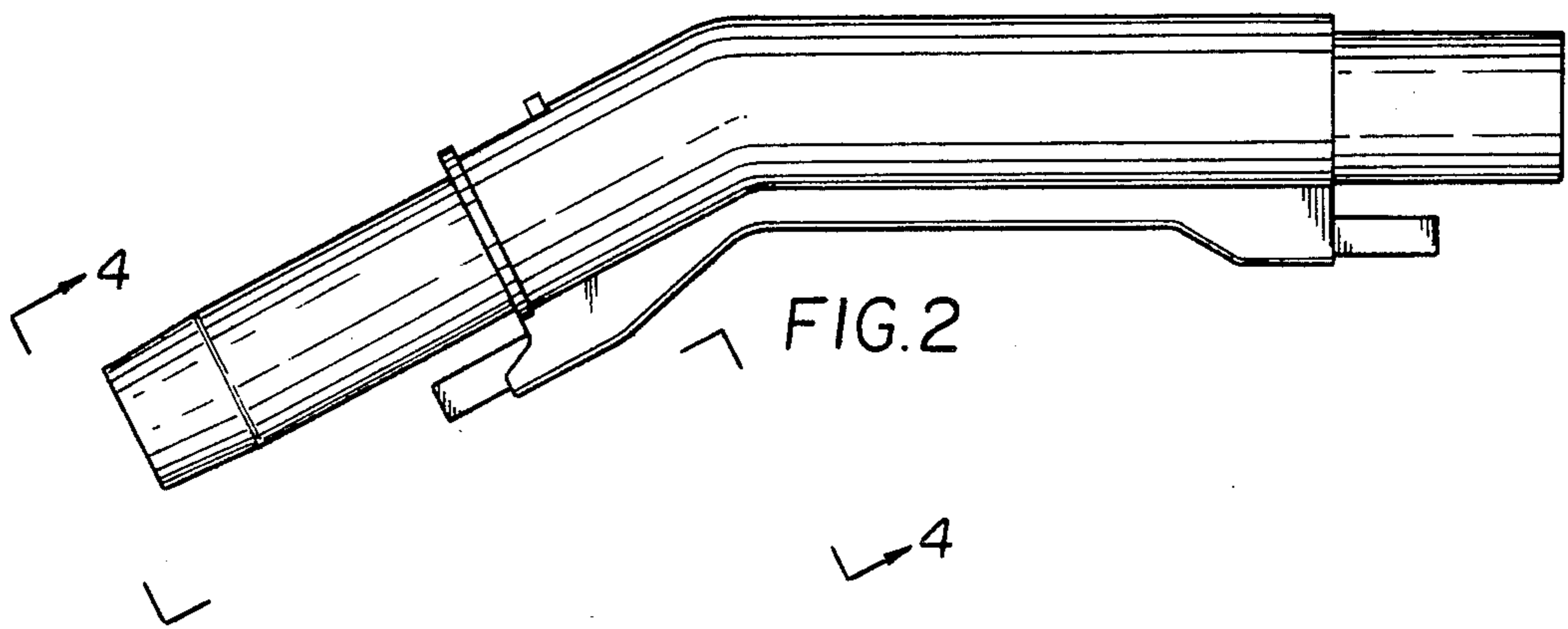


FIG. 2

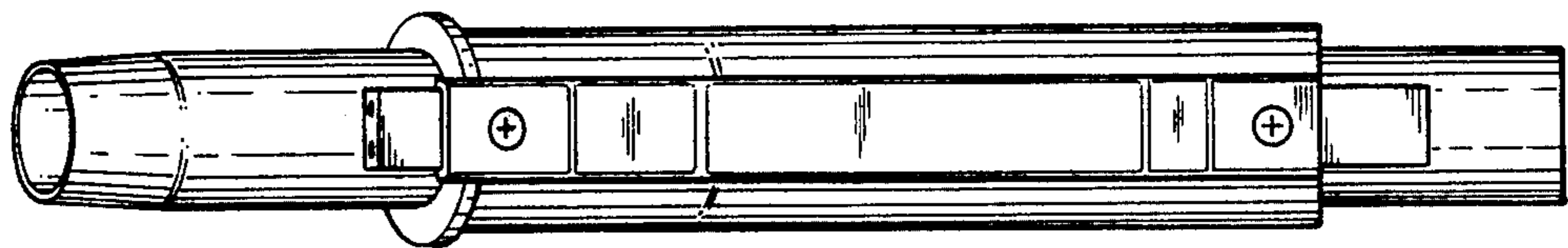


FIG. 3

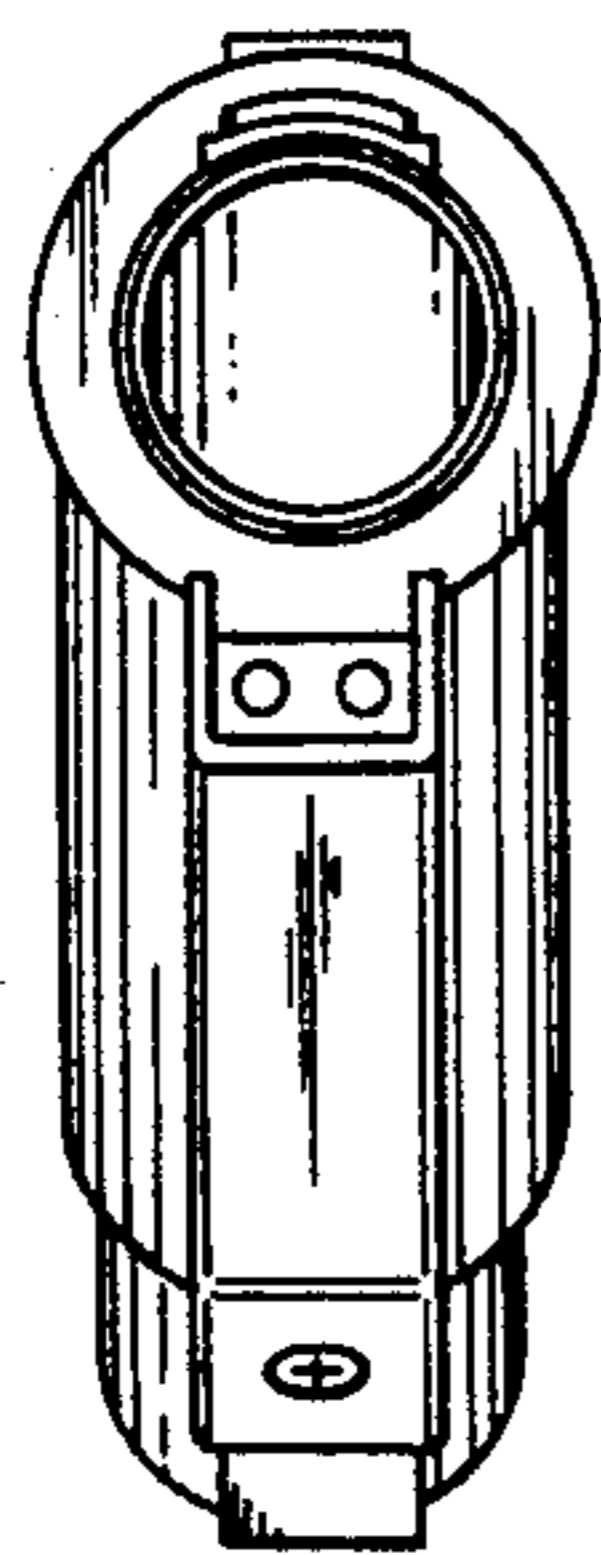


FIG. 4

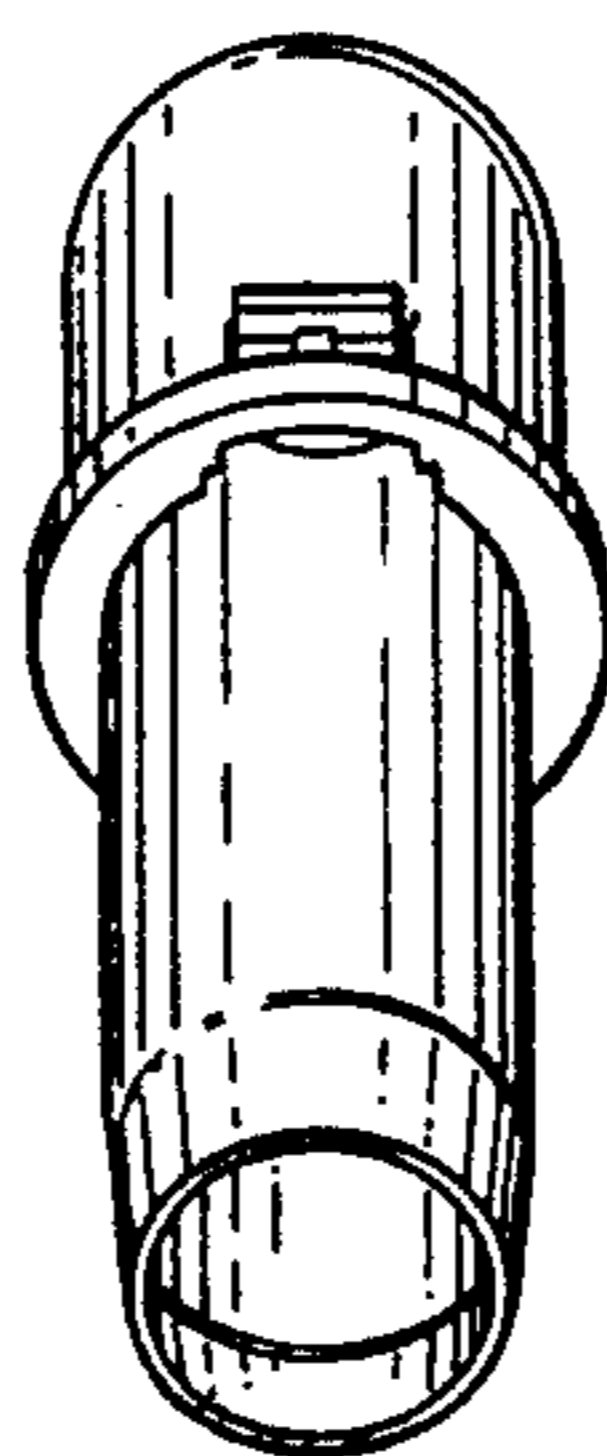


FIG. 5

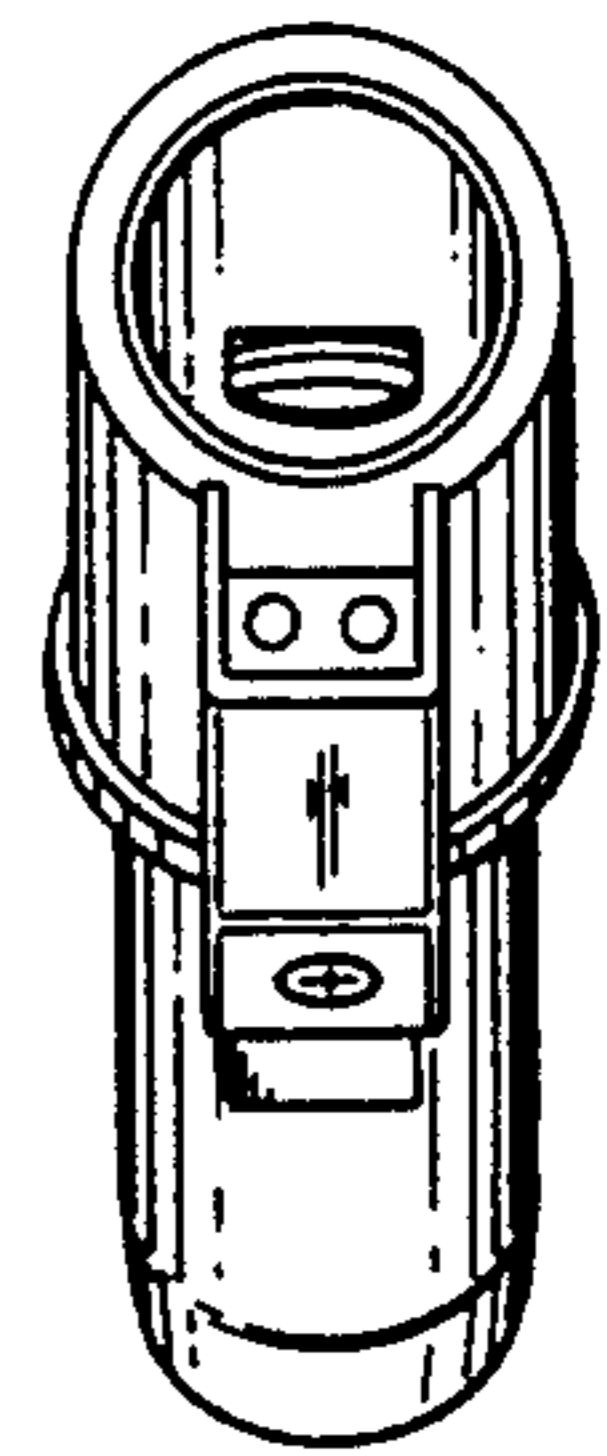


FIG. 6