

[54] COLLAPSIBLE LAMPSHADE

[76] Inventor: Paul Goldstein, 5810 Cowen Pl. NE., Seattle, Wash. 98105

[**] Term: 14 Years

[21] Appl. No.: 648,120

[22] Filed: Sep. 6, 1984

[52] U.S. Cl. D26/118; D26/61; D26/128

[58] Field of Search D26/118, 128-137, D26/93, 102-112, 61, 62, 63, 65; 362/351, 352, 354, 355, 356, 357, 358, 359, 360, 361

[56] References Cited

U.S. PATENT DOCUMENTS

D. 50,440	3/1917	Yokel	D26/51
1,141,361	6/1915	Schmidt et al.	362/348
1,517,137	11/1924	Whipple	362/352
1,701,149	2/1929	Eha	362/357 X
1,906,626	5/1933	Kramer	362/352 X

FOREIGN PATENT DOCUMENTS

1028052 4/1958 Fed. Rep. of Germany 362/354

Primary Examiner—Susan J. Lucas

Attorney, Agent, or Firm—Ward Brown; Robert W. Beach

[57] CLAIM

The ornamental design for a collapsible lampshade, substantially as shown and described.

DESCRIPTION

FIG. 1 is a front elevation view of a collapsible lampshade showing my new design;

FIG. 2 is a side elevation view thereof taken from the left of FIG. 1;

FIG. 3 is a side elevation view thereof taken from the right of FIG. 1;

FIG. 4 is a rear elevation view thereof;

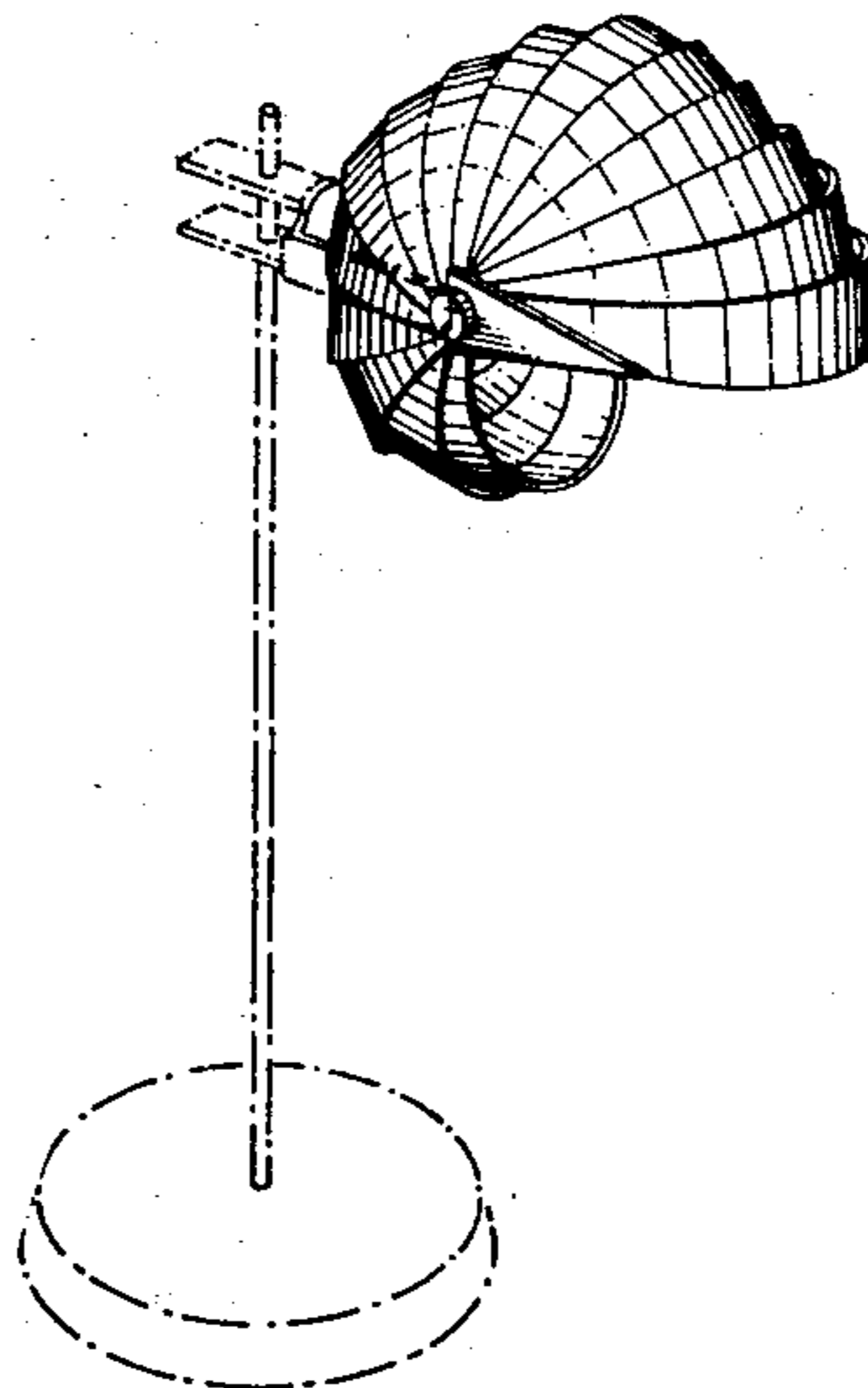
FIG. 5 is a top plan view thereof;

FIG. 6 is a bottom plan view thereof;

FIG. 7 is a side elevation view thereof taken from the left of FIG. 1, showing the lampshade in a partially collapsed condition;

FIG. 8 is a side elevation view thereof taken from the left of FIG. 1, showing the lampshade in a more fully collapsed condition;

FIG. 9 is a front, left side perspective view thereof on a reduced scale, the support being shown in broken lines for illustrative purposes only.



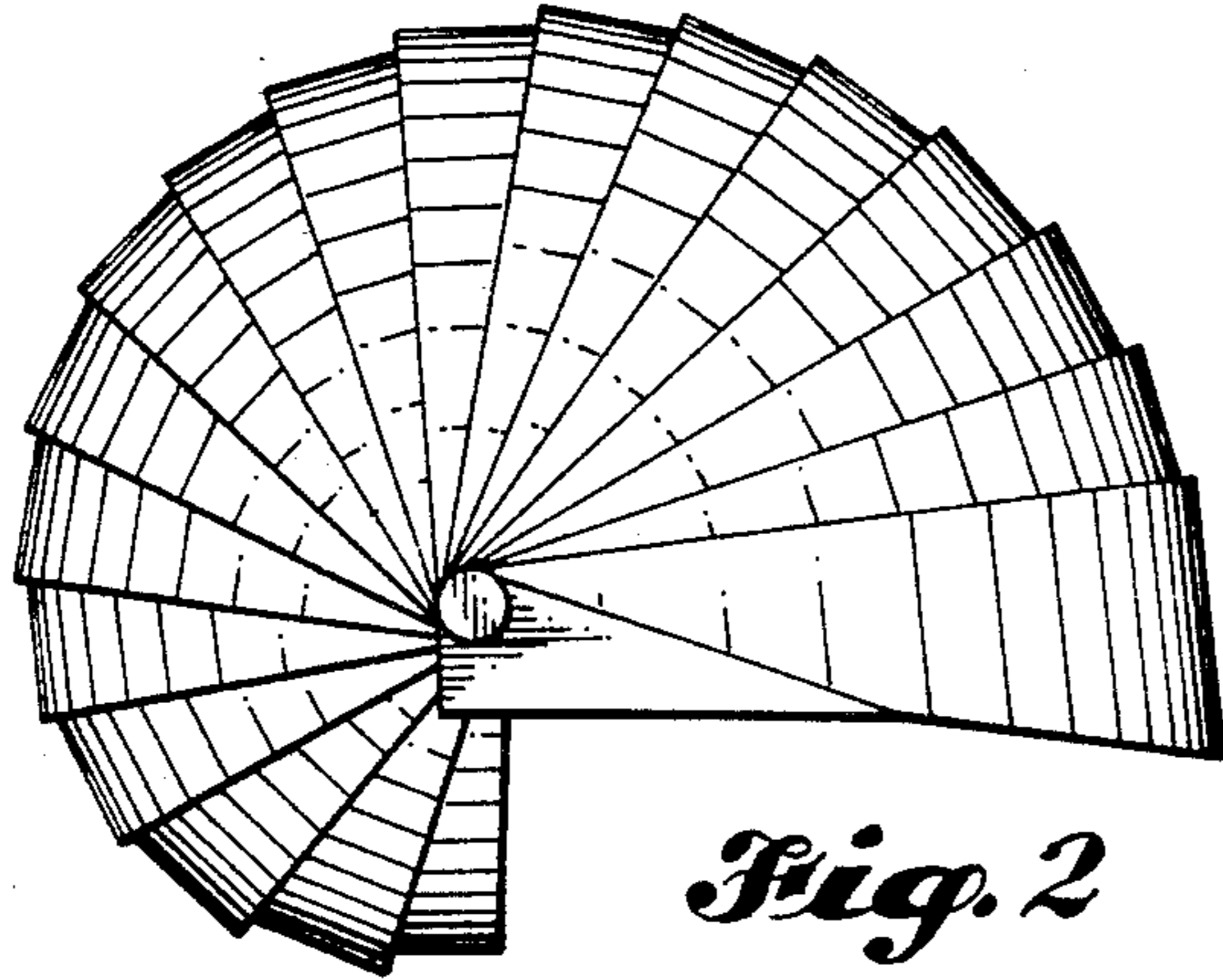


Fig. 2

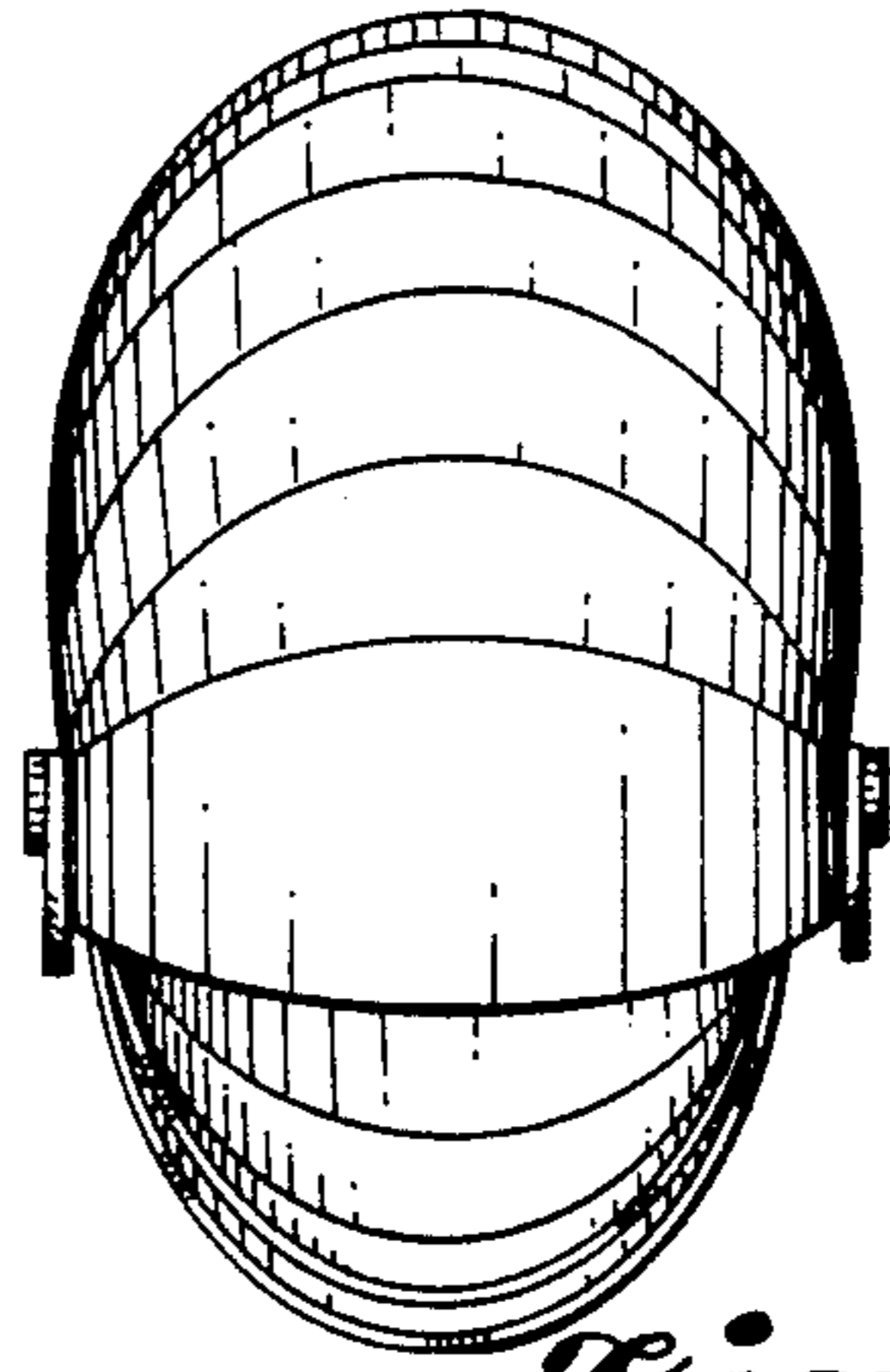


Fig. 1

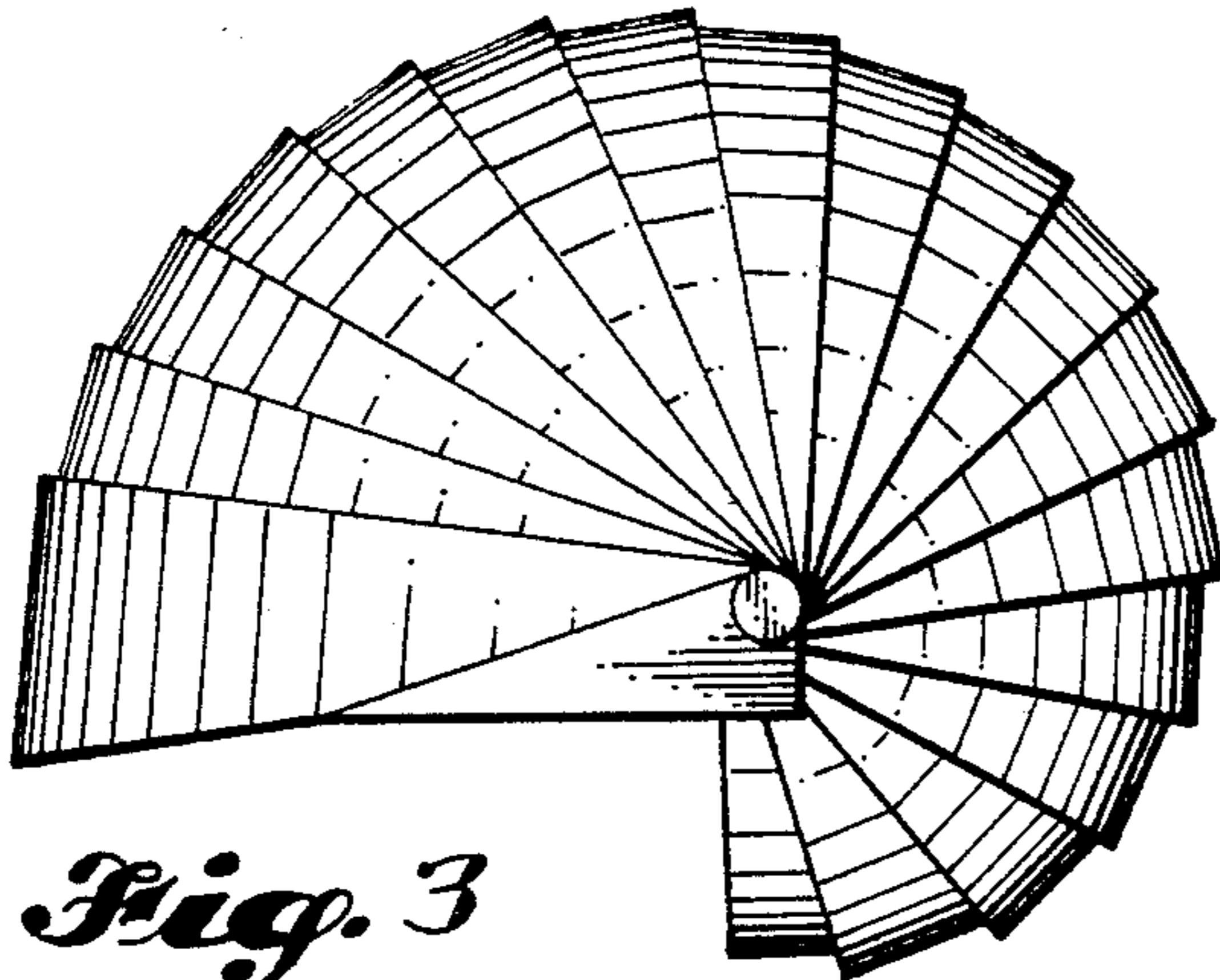


Fig. 3

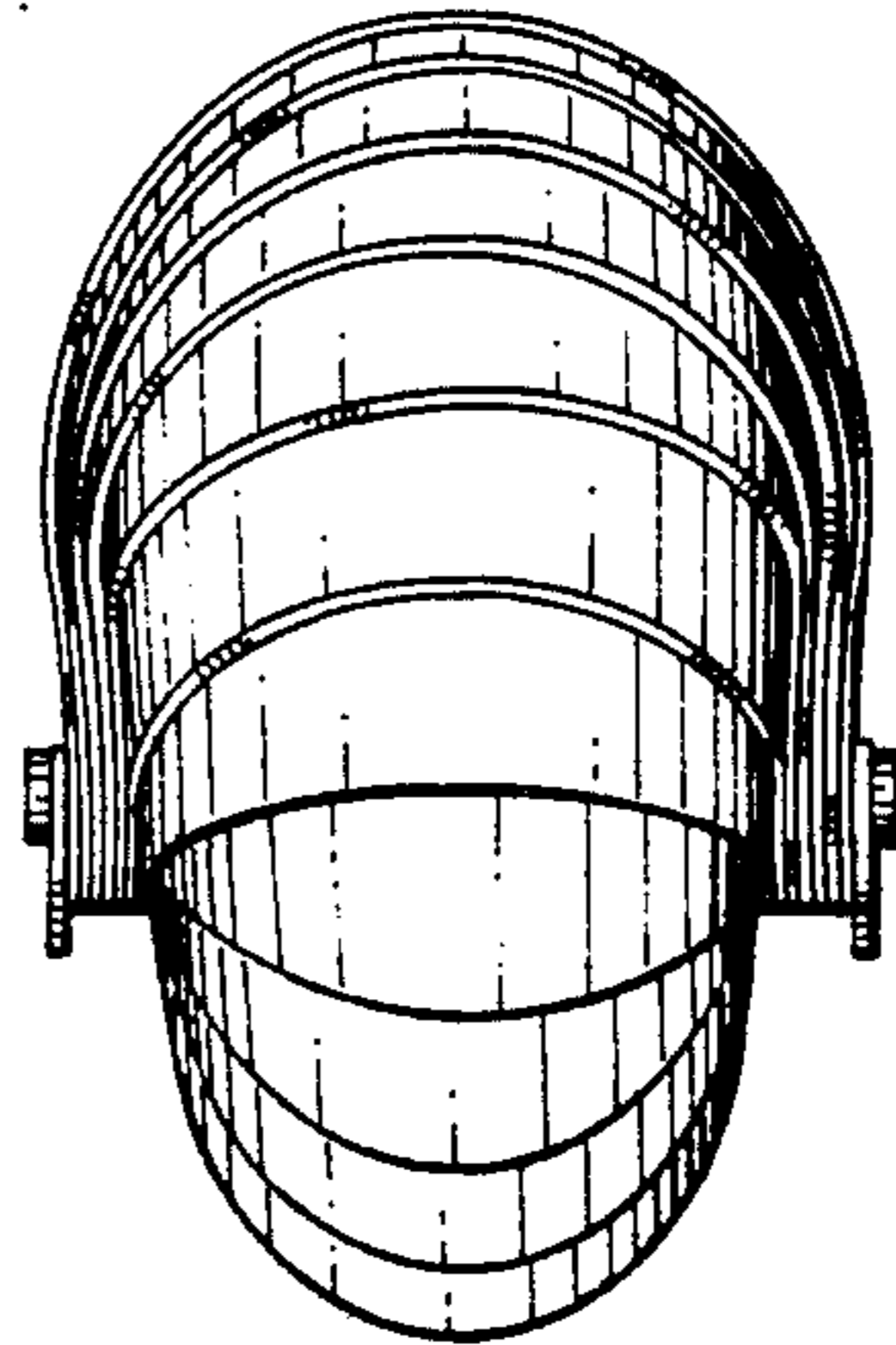


Fig. 4

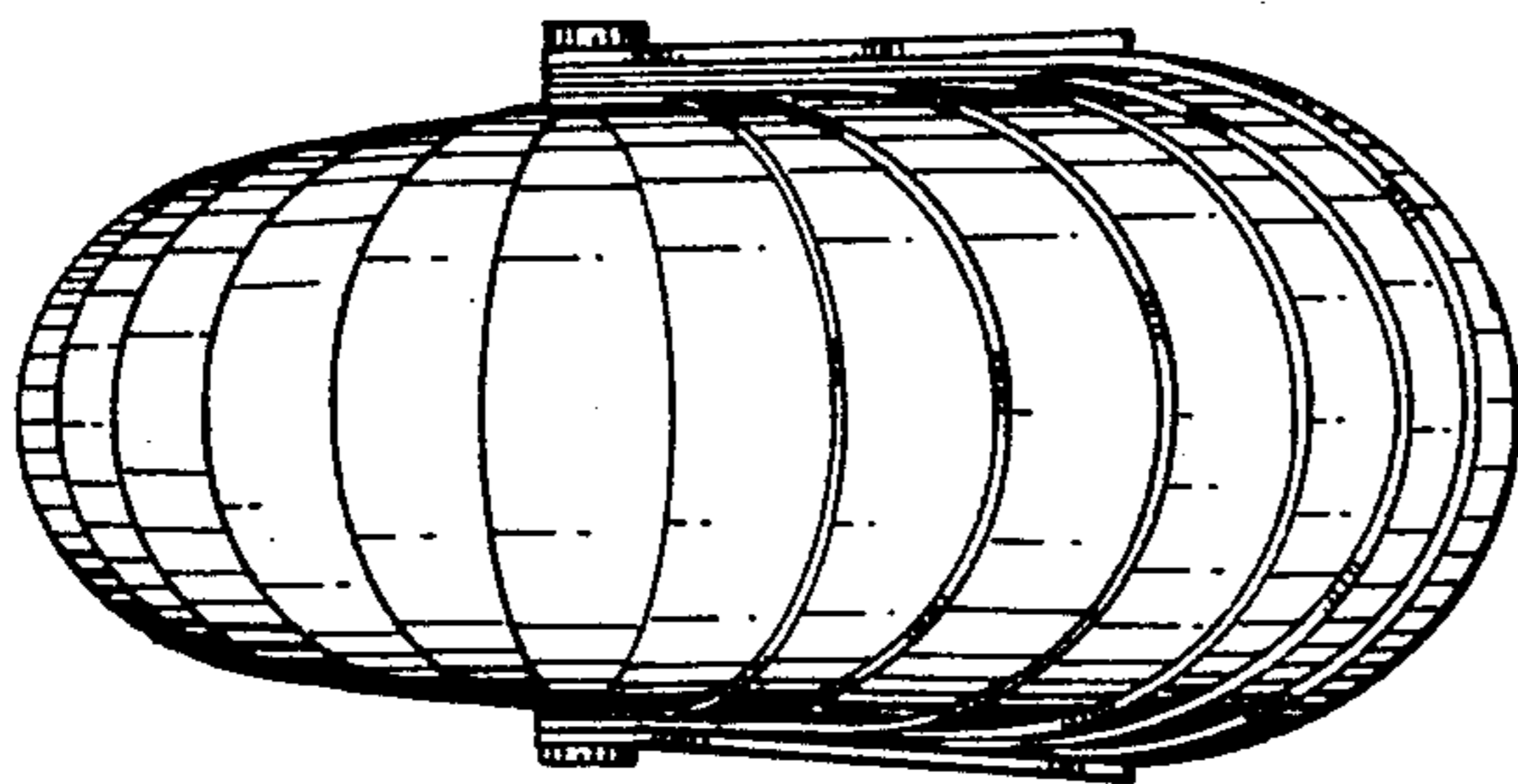


Fig. 5

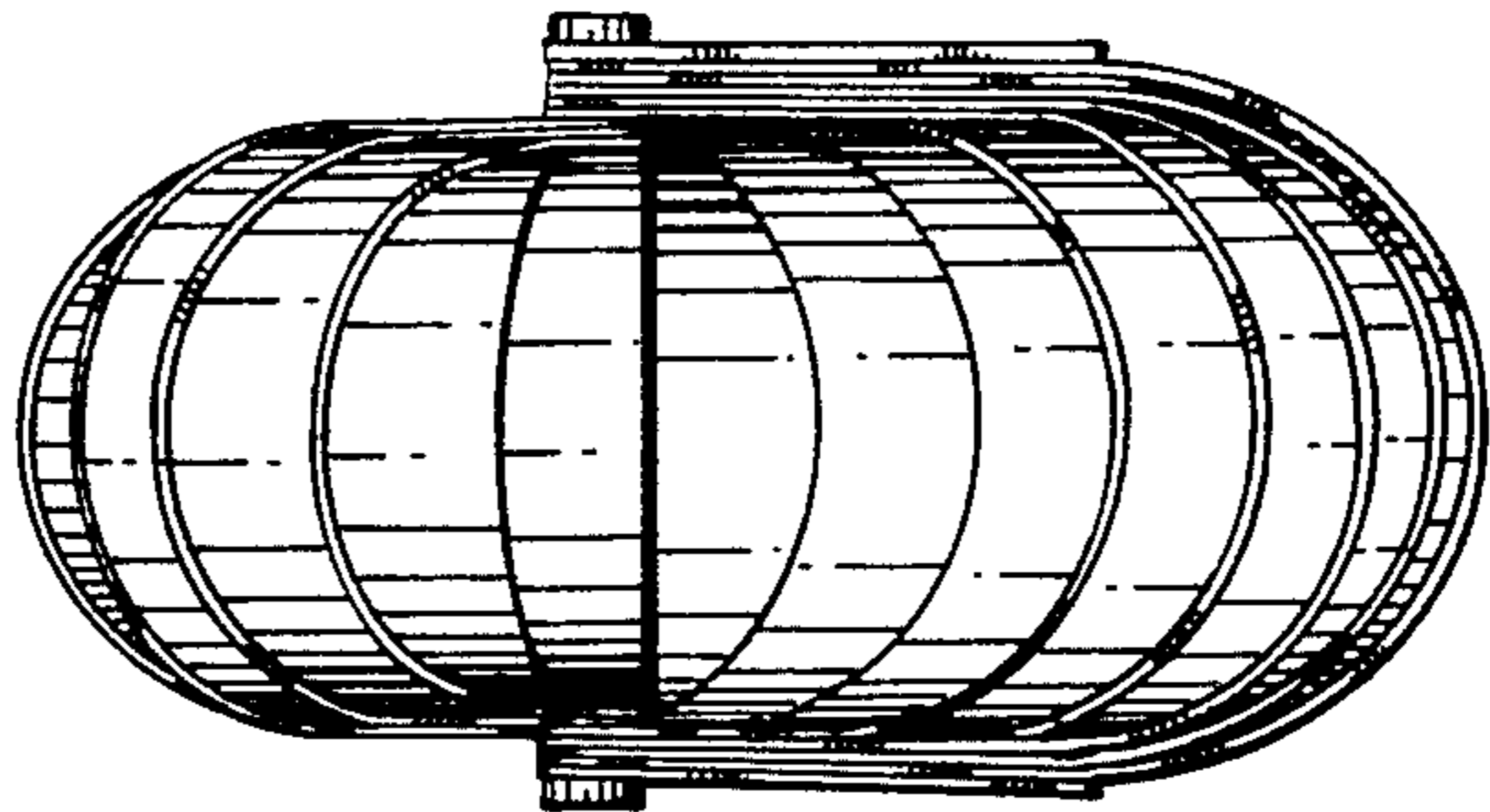


Fig. 6

Fig. 7

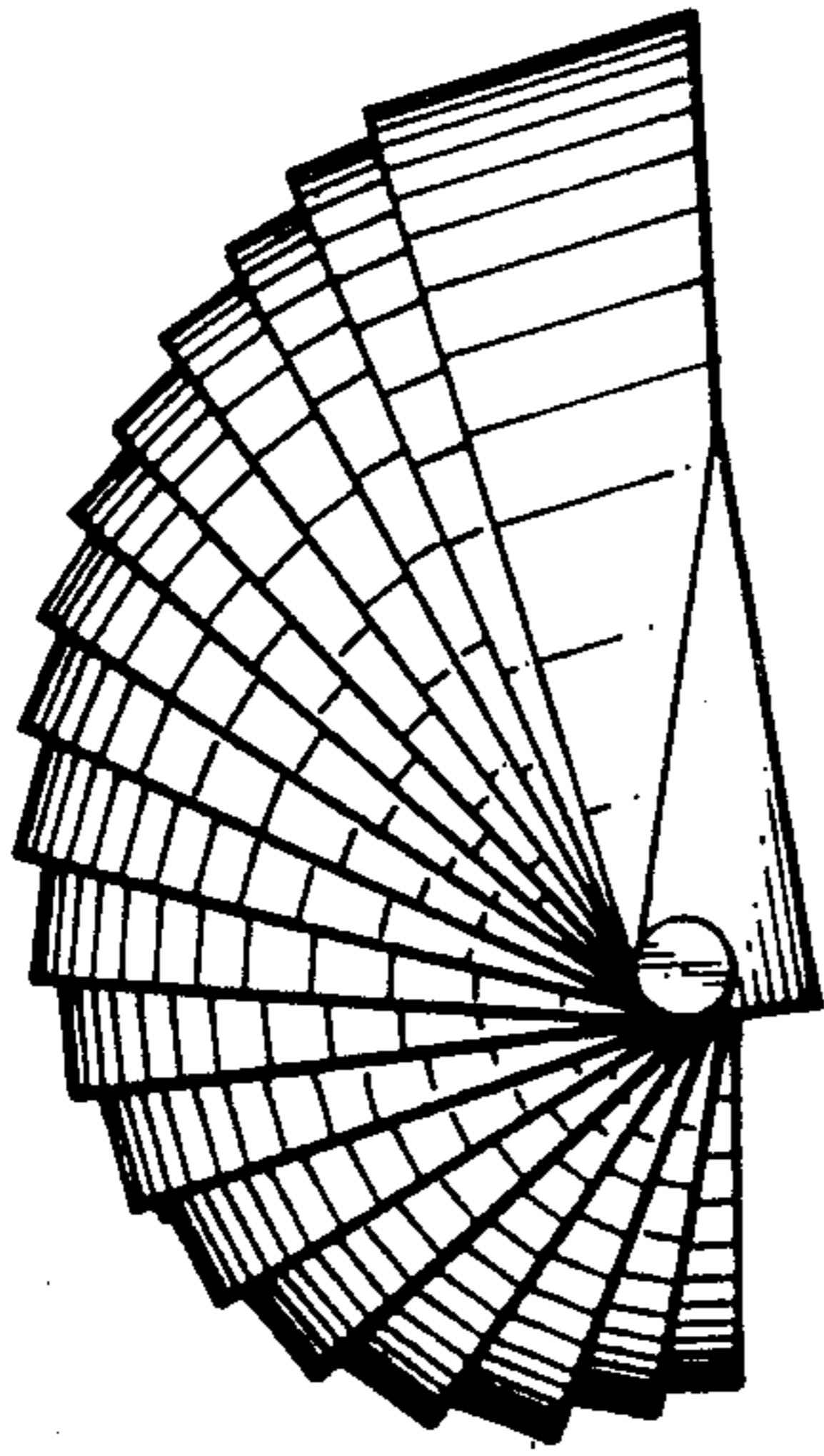


Fig. 8

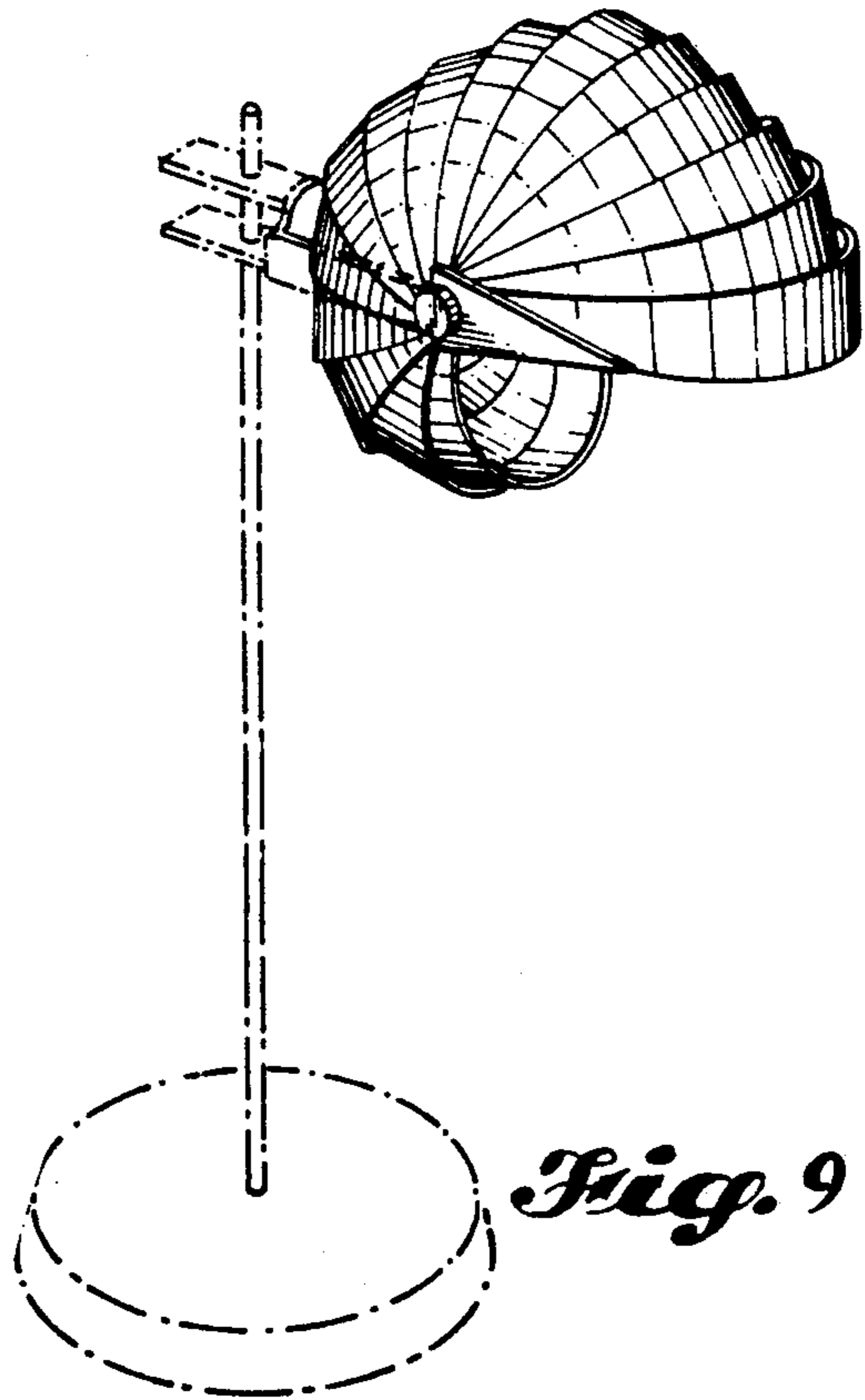
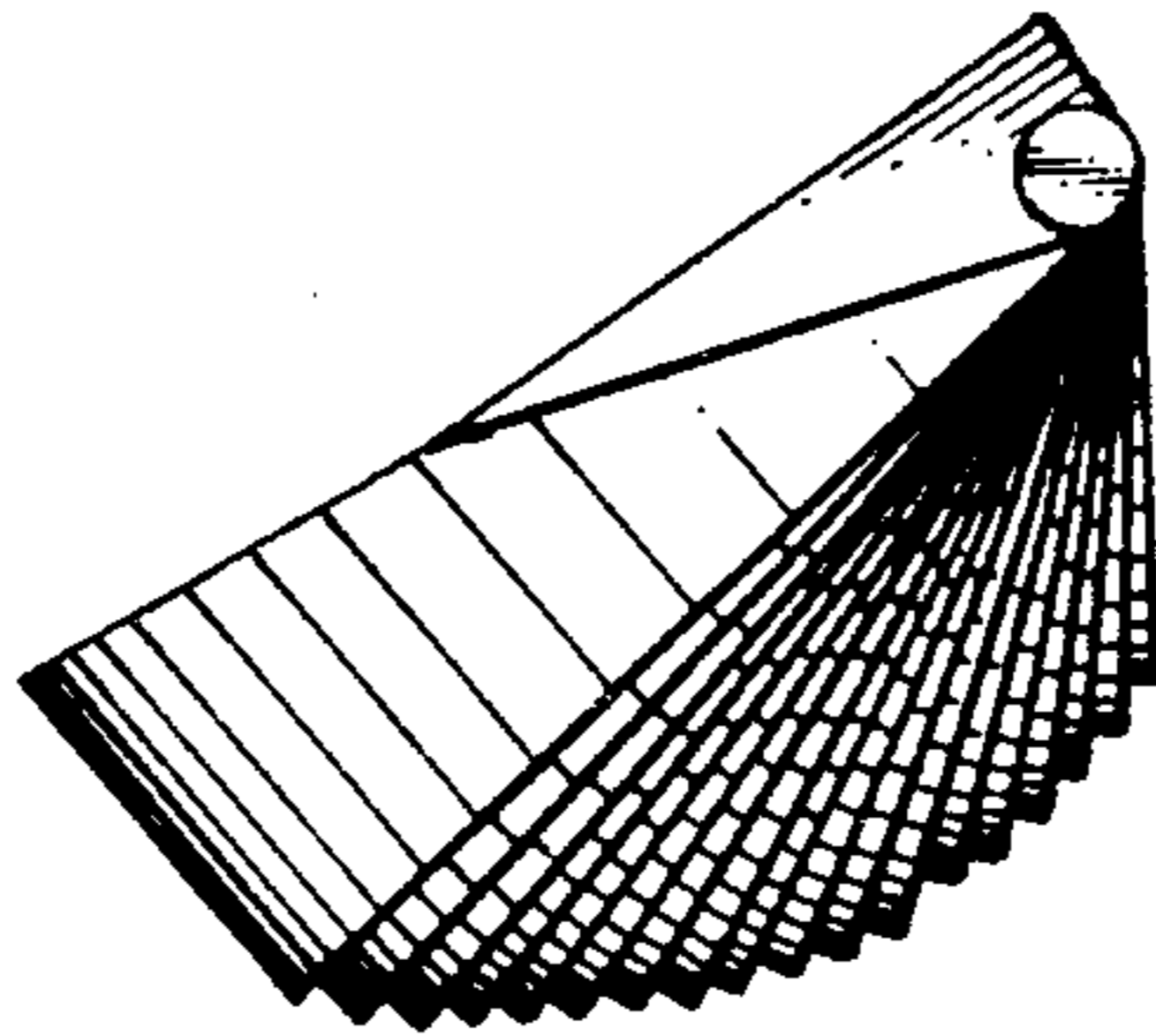


Fig. 9