

[54] SINGLE DOSE CARTRIDGE FOR DENTAL COMPOSITE MATERIAL

[75] Inventors: William J. Blatherwick, Hamilton Square; Leslie Hamilton, Trenton; Robert D. Holewinski, Lakehurst, all of N.J.

[73] Assignee: Johnson & Johnson Dental Company, East Windsor, N.J.

[**] Term: 14 Years

[21] Appl. No.: 677,653

[22] Filed: Dec. 3, 1984

[52] U.S. Cl. D24/10

[58] Field of Search D24/4-5, D24/10-16, 23-26, 29, 45, 55, 59, 60, 63; 433/80-83, 87, 89, 83, 90; 604/93, 121, 181, 187, 218, 224; 223/326

[56] References Cited

U.S. PATENT DOCUMENTS

D. 167,127 6/1952 Willis D24/24

D. 262,739 1/1982 Nitshke D24/24 X
3,949,748 4/1976 Malmin 433/81 X
4,368,739 1/1983 Nelson, Jr. 604/54
4,391,590 7/1983 Dougherty 433/90

FOREIGN PATENT DOCUMENTS

891912 10/1953 Fed. Rep. of Germany .
1072473 8/1954 France .

Primary Examiner—Wallace R. Burke
Assistant Examiner—Brian N. Vinson
Attorney, Agent, or Firm—Charles J. Metz

[57] CLAIM

The ornamental design for a single dose cartridge for dental composite material, as shown.

DESCRIPTION

FIG. 1 is a perspective view of a single dose cartridge for dental composite material showing my new design; FIG. 2 is a front elevation thereof, the adjacent sides and rear being identical in appearance; FIG. 3 is a top plan view thereof; FIG. 4 is a bottom plan view thereof; and FIG. 5 is an exploded perspective view thereof.

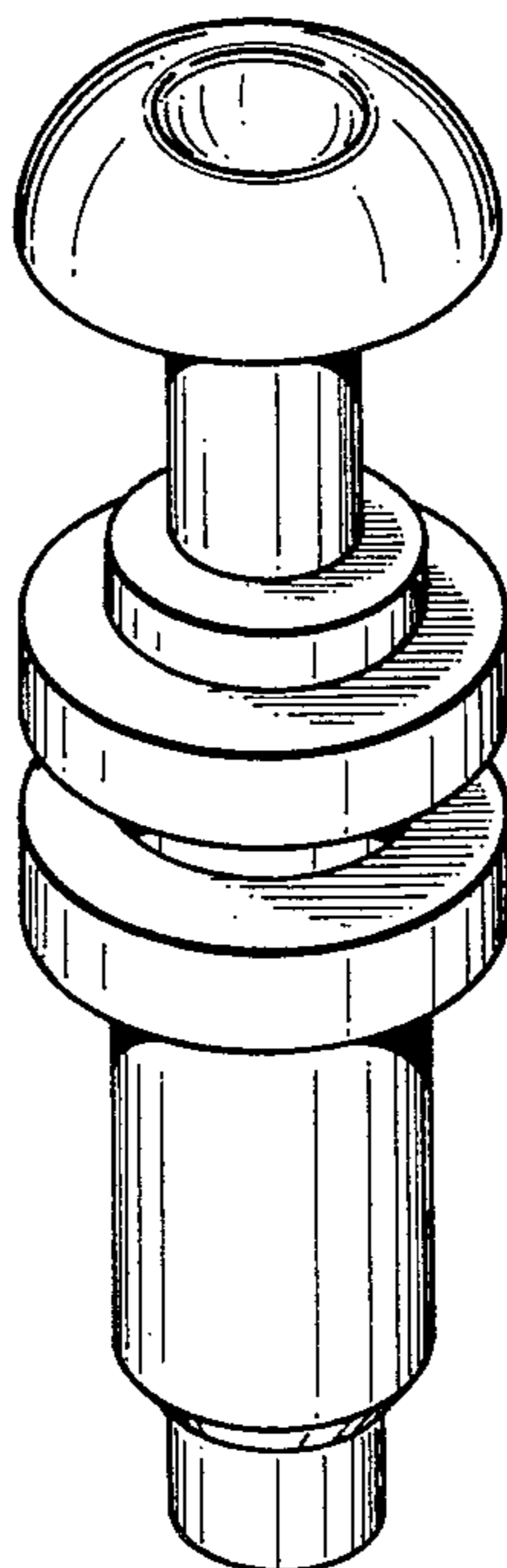


FIG-1

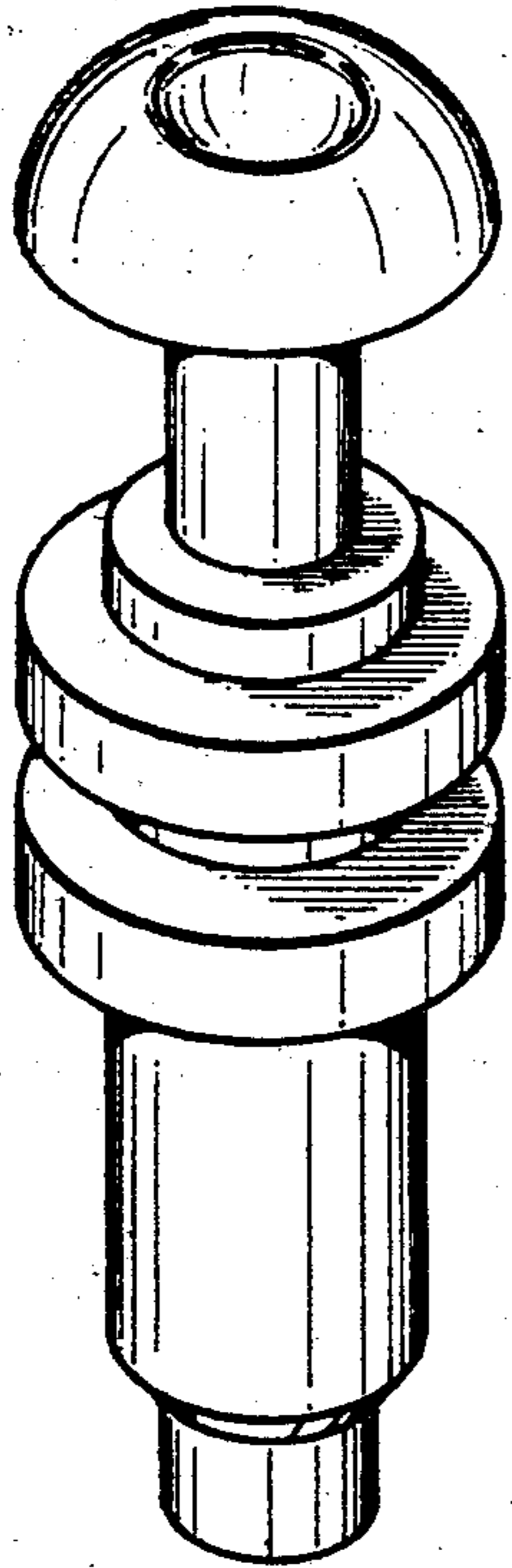


FIG-2

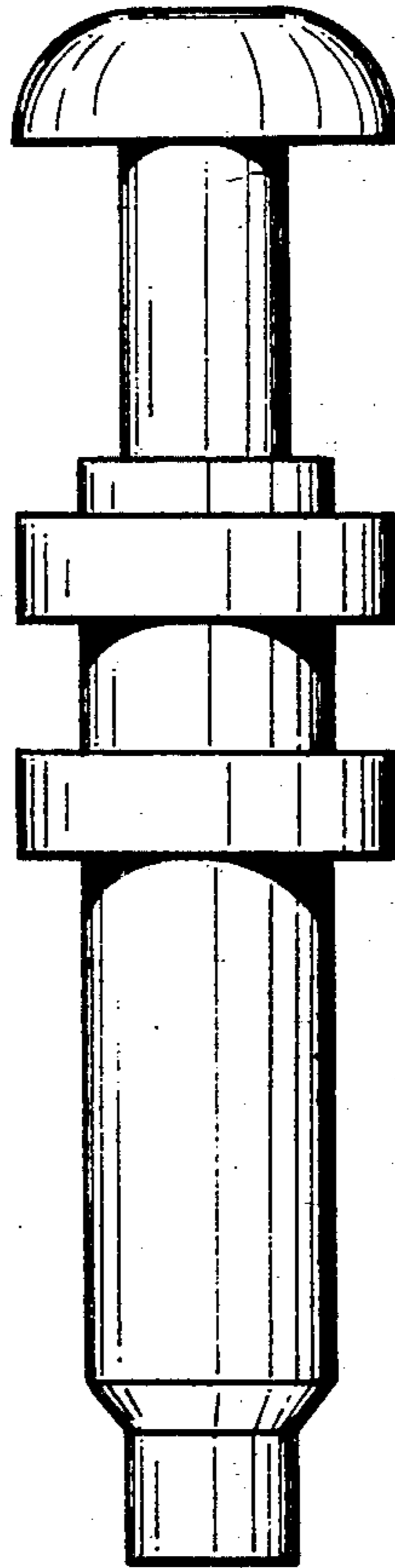


FIG-3

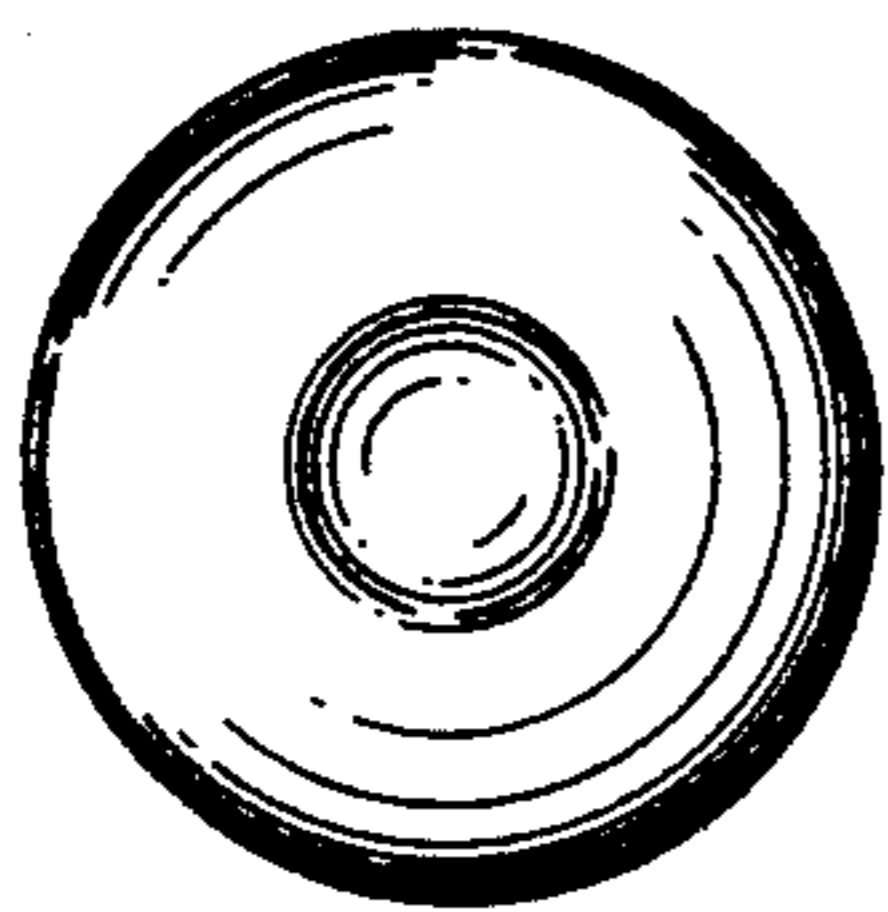


FIG-4

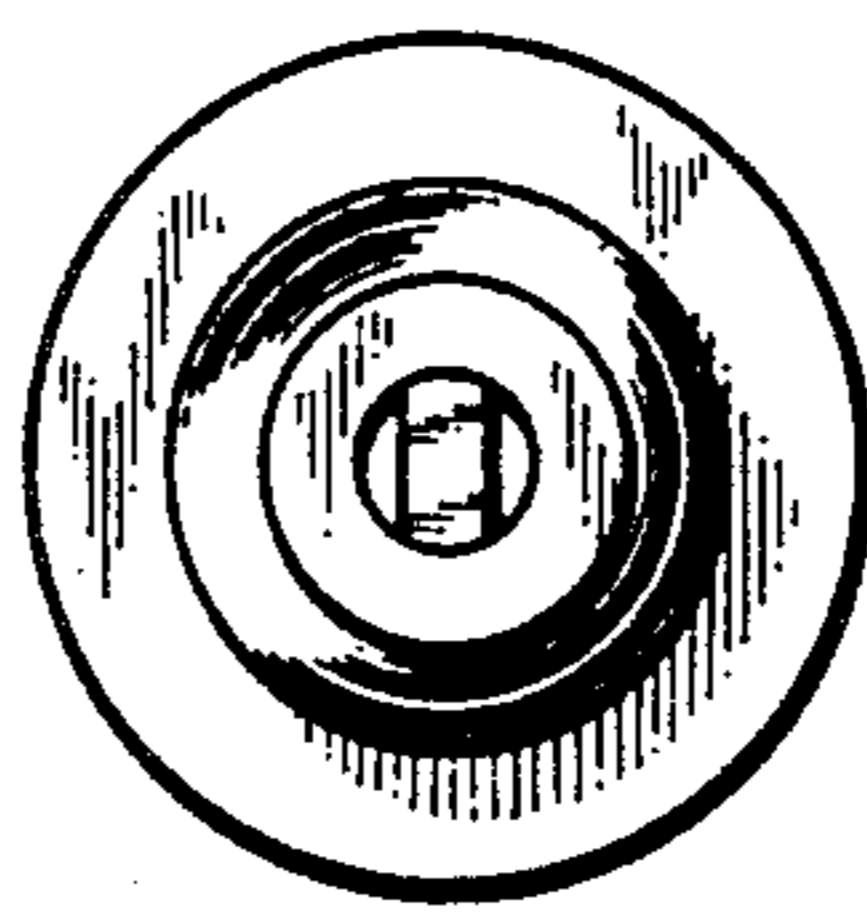


FIG-5

