

[54] **SEISMIC GAS SHUT-OFF VALVE**

[76] **Inventors: David E. Ritchie, 6166 Palo Alto Dr., Anaheim Hills, Calif. 92807; Edward E. Seay, 881 Nordica, Anaheim, Calif. 92806**

[**] **Term: 14 Years**

[21] **Appl. No.: 595,693**

[22] **Filed: Apr. 2, 1984**

[52] **U.S. Cl. D23/19**

[58] **Field of Search D23/19-22; 137/38, 39**

[56] **References Cited**

U.S. PATENT DOCUMENTS

- D. 103,582 3/1937 Murphy D23/21
- D. 180,010 4/1957 Britton D23/20
- 4,278,102 7/1981 Kelley et al. 137/39

- 4,336,818 6/1982 Dauvergne 137/38
- 4,485,832 12/1984 Plemmons et al. 137/38
- 4,565,208 1/1986 Ritchie et al. 137/38

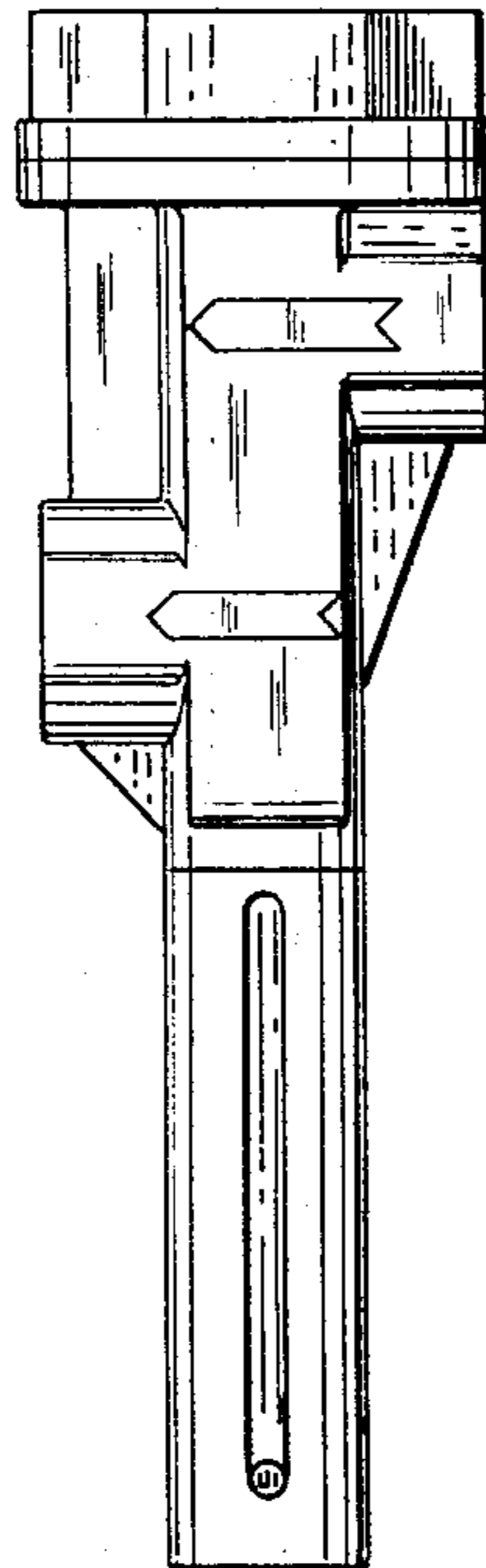
Primary Examiner—James R. Largen
Attorney, Agent, or Firm—Knobbe, Martens, Olson & Bear

[57] **CLAIM**

The ornamental design for a seismic gas shut-off valve, as shown and described.

DESCRIPTION

FIG. 1 is a front elevational view of a seismic gas shut-off valve showing my new design;
FIG. 2 is a top plan view thereof;
FIG. 3 is a bottom plan view thereof;
FIG. 4 is an elevational view of the left side thereof;
FIG. 5 is an elevational view of the right side thereof;
and
FIG. 6 is a rear elevational view thereof.



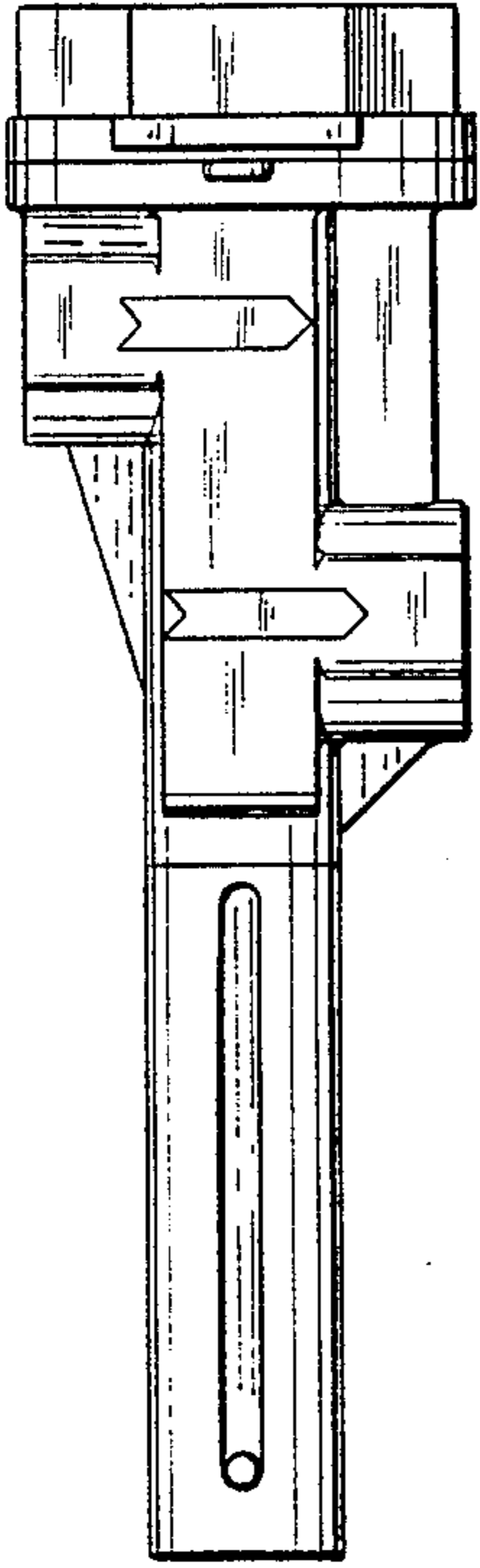


Fig. 6

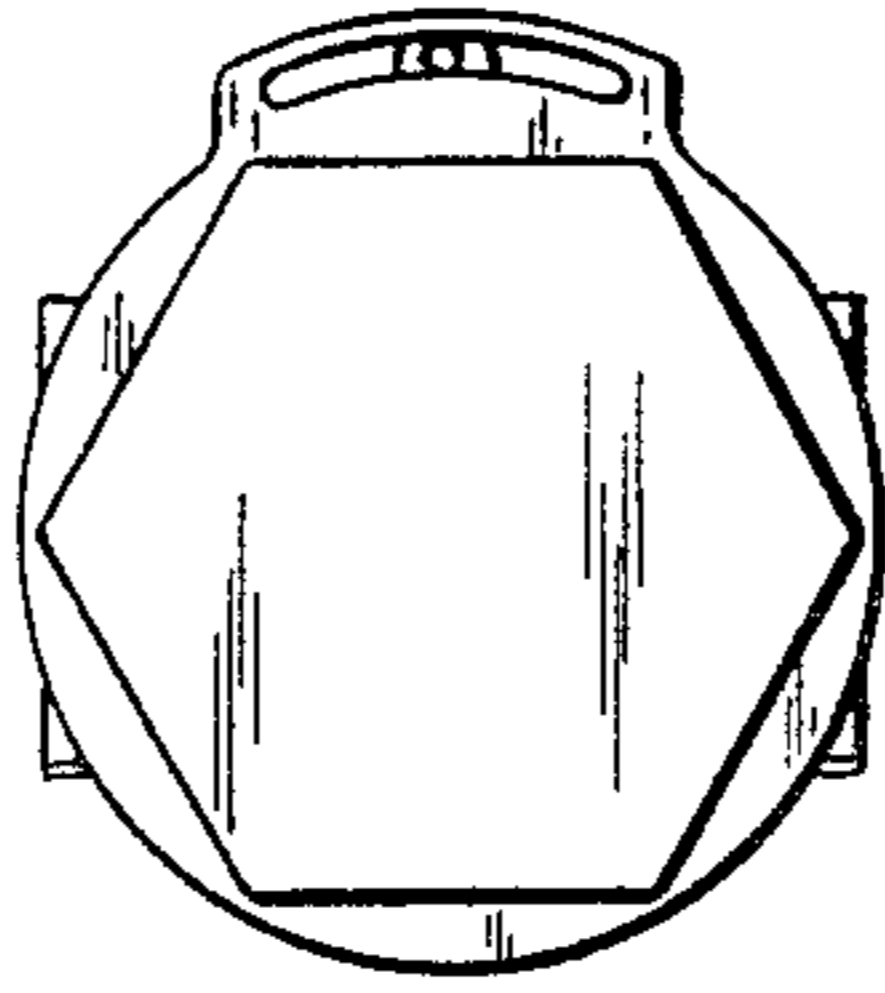


Fig. 2

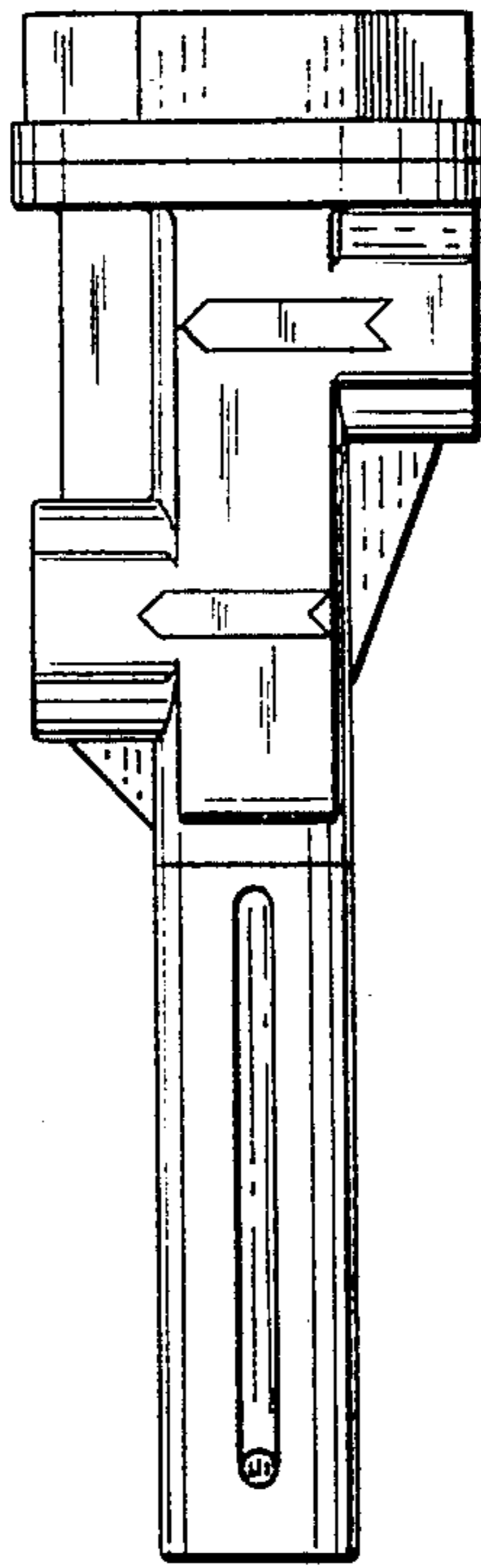


Fig. 1

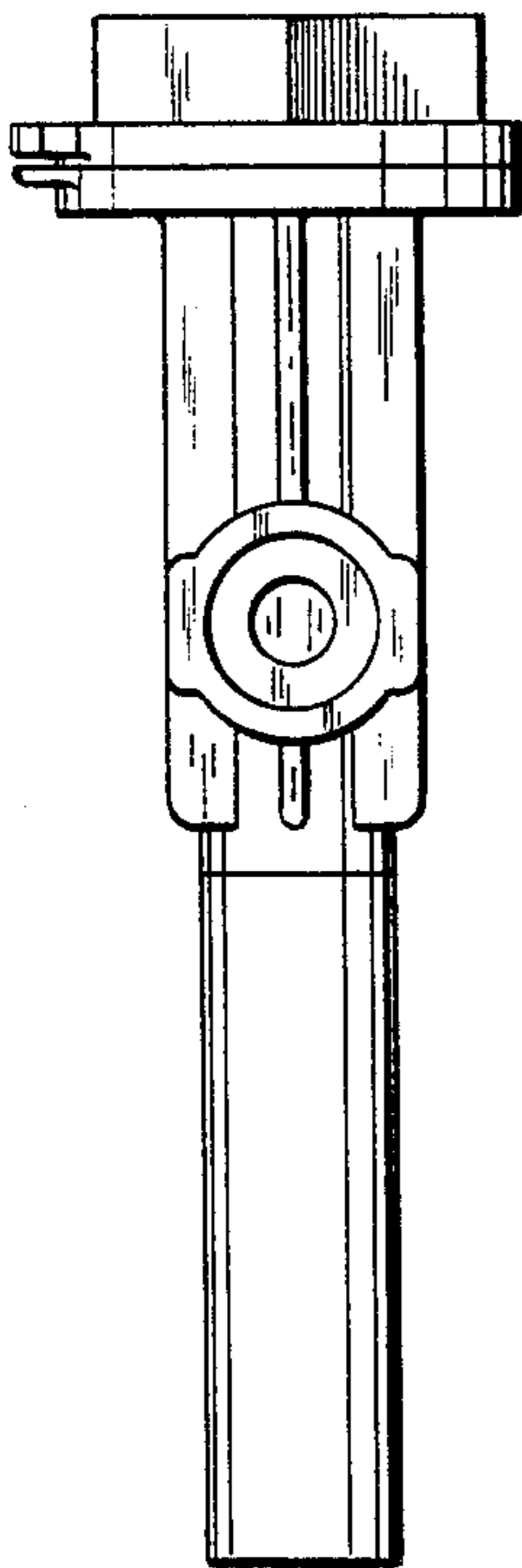


Fig. 4

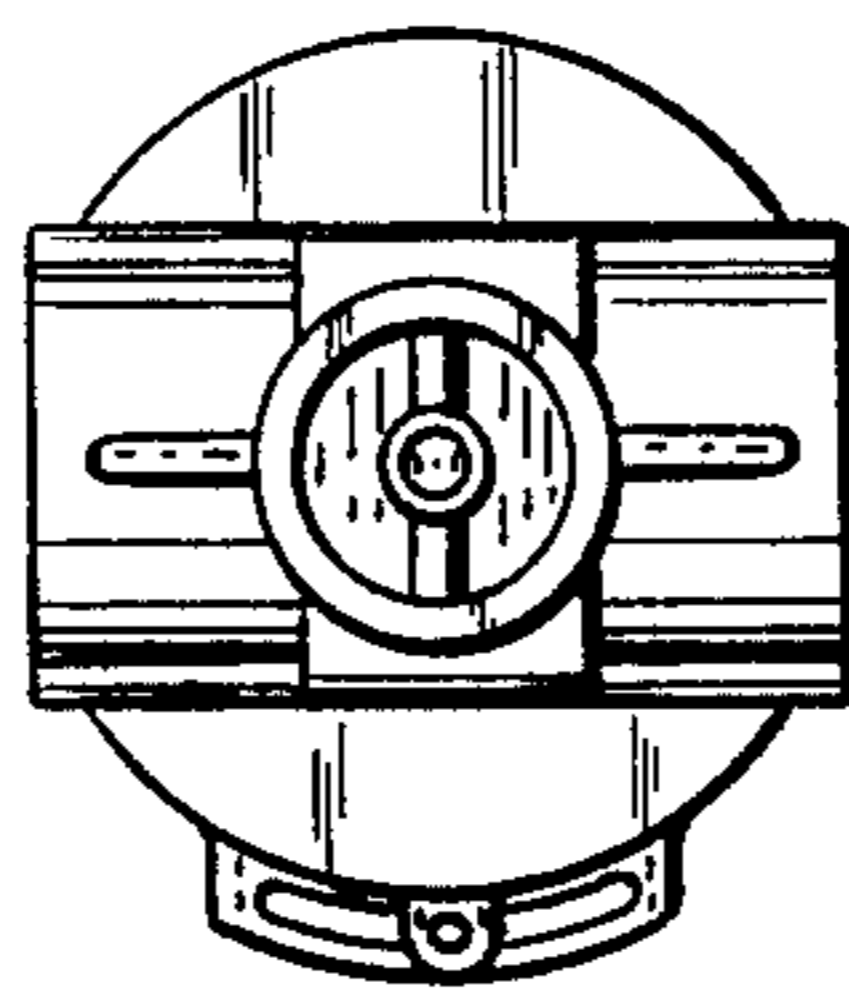


Fig. 3

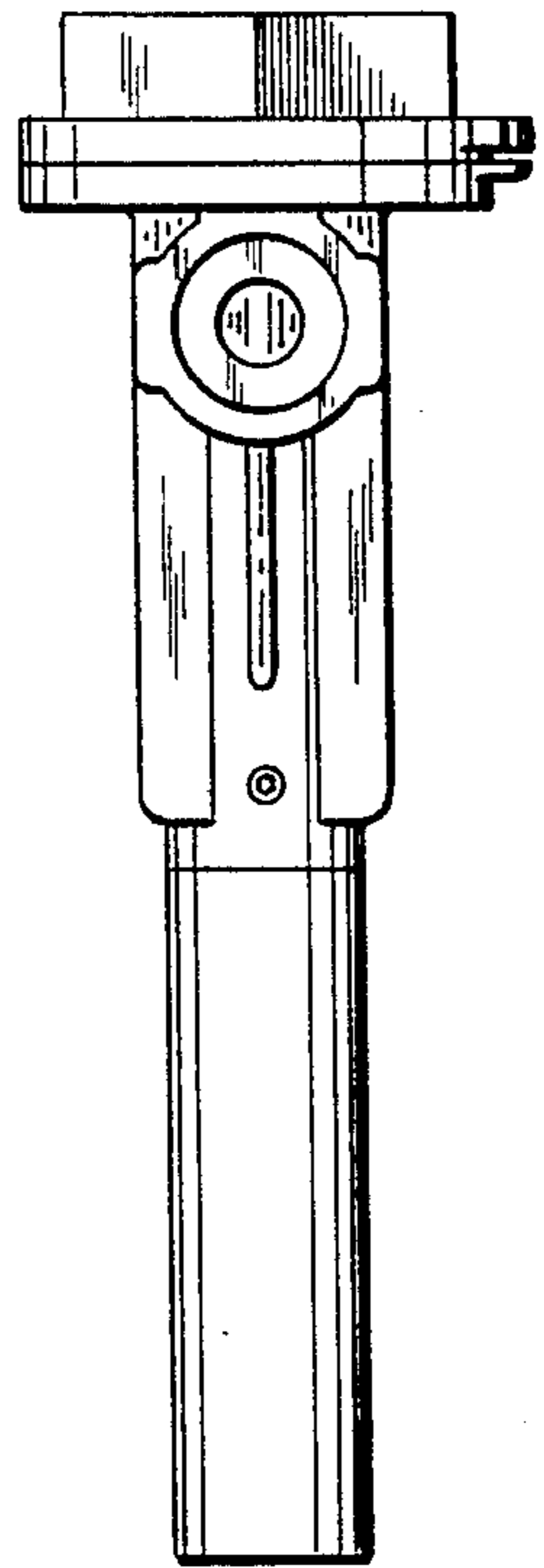


Fig. 5