

United States Patent [19]

Robic

[11] Patent Number: **Des. 287,869**

[45] Date of Patent: **** Jan. 20, 1987**

- [54] **SKI**
- [75] Inventor: **Andrej Robic, Radovljica, Yugoslavia**
- [73] Assignee: **Flan Tovarna Sportnega Orodja n.sol.o., Begunje na Gorenjskem, Yugoslavia**
- [**] Term: **14 Years**
- [21] Appl. No.: **638,687**
- [22] Filed: **Aug. 8, 1984**
- [52] U.S. Cl. **D21/229**
- [58] Field of Search **D21/226-230; 280/602, 607, 609, 809, 815**

- [56] **References Cited**
U.S. PATENT DOCUMENTS
D. 258,001 1/1981 Litt et al. D21/229

3,897,839	8/1975	Brisebois	D21/230
4,344,641	8/1982	Lehn	280/609
4,565,386	1/1986	Cranich	280/609

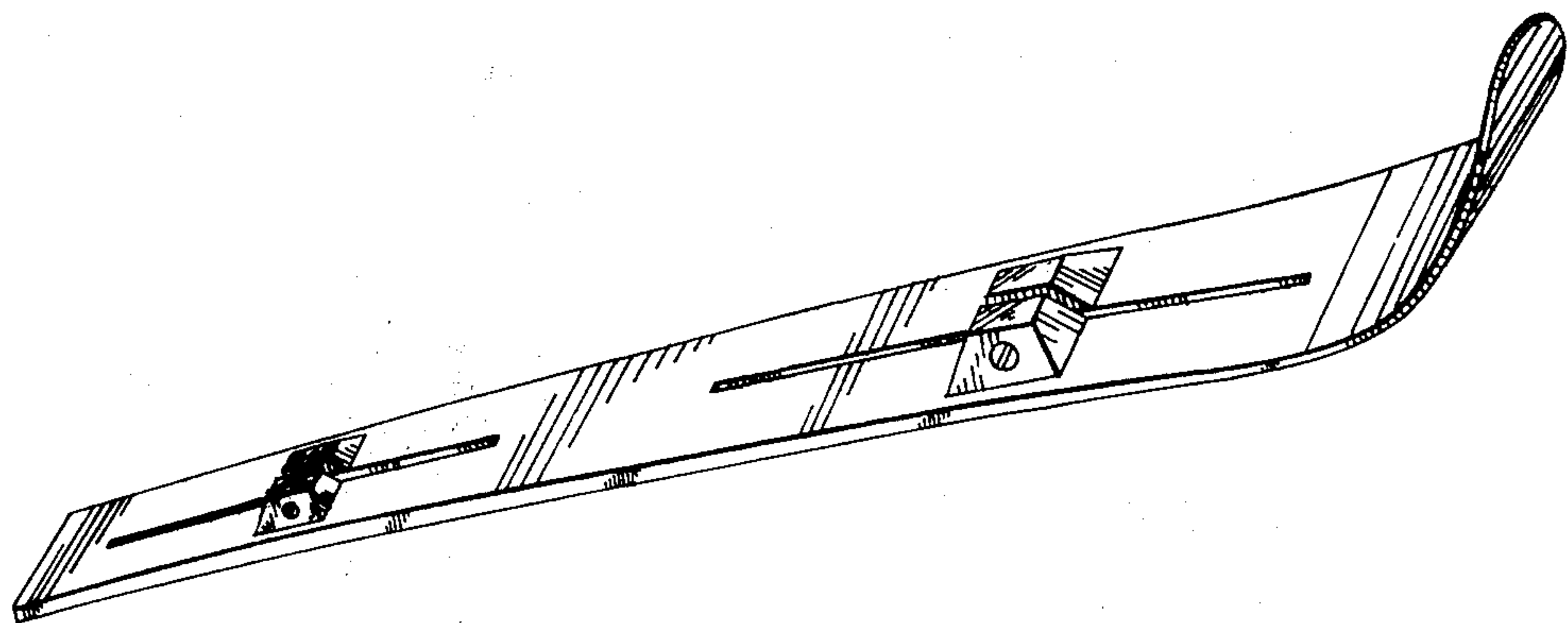
Primary Examiner—Charles A. Rademaker
Attorney, Agent, or Firm—Fleit, Jacobson, Cohn & Price

[57] CLAIM

The ornamental design for a ski, as shown and described.

DESCRIPTION

FIG. 1 is a top perspective view of a ski showing my new design;
FIG. 2 is a bottom perspective view thereof;
FIG. 3 is a front-elevational view thereof;
FIG. 4 is a rear-elevational view thereof;
FIG. 5 is a right-side elevational view thereof, the side opposite being substantially a mirror-image; and
FIG. 6 is a cross sectional view taken along lines 6—6.



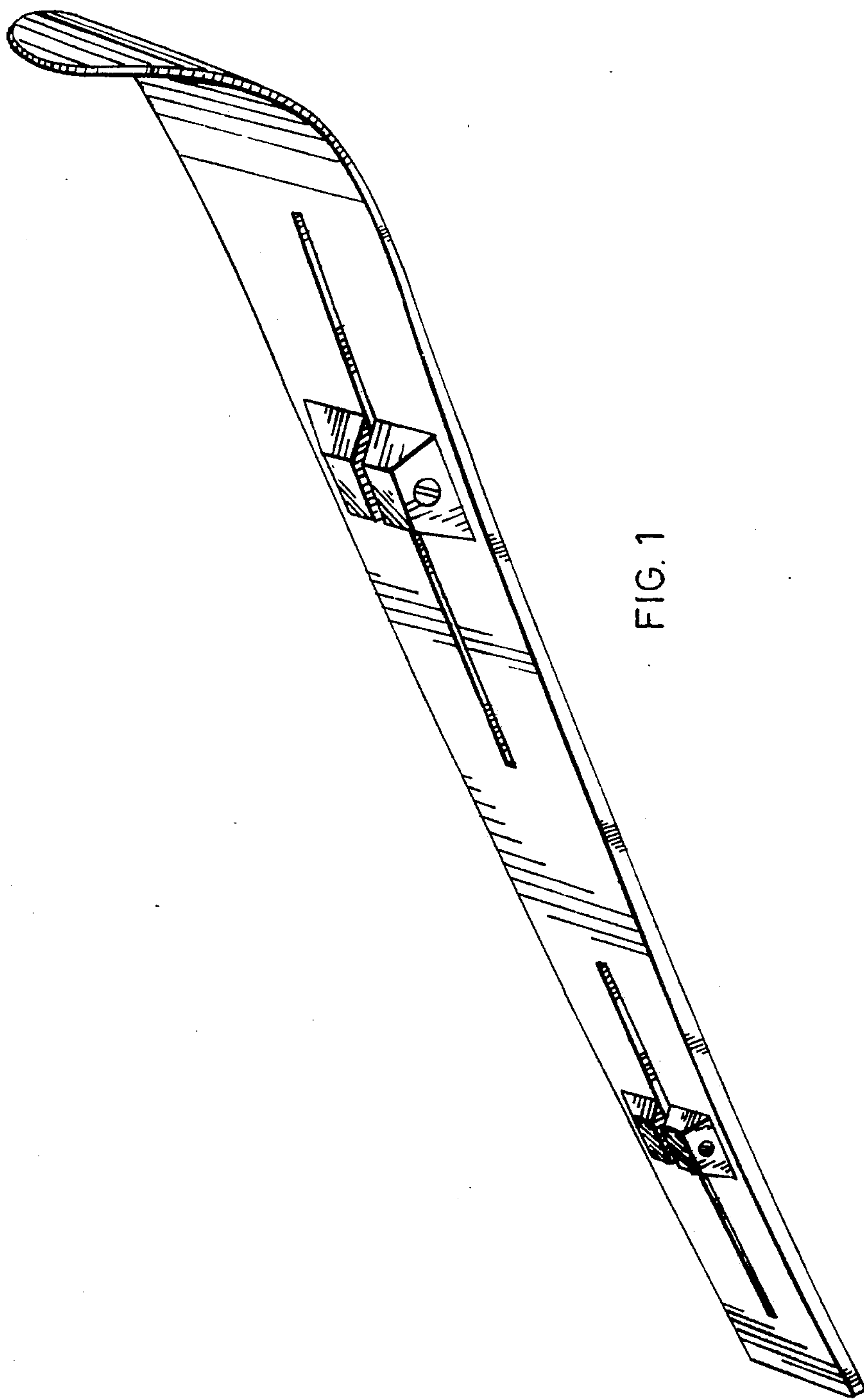


FIG. 1

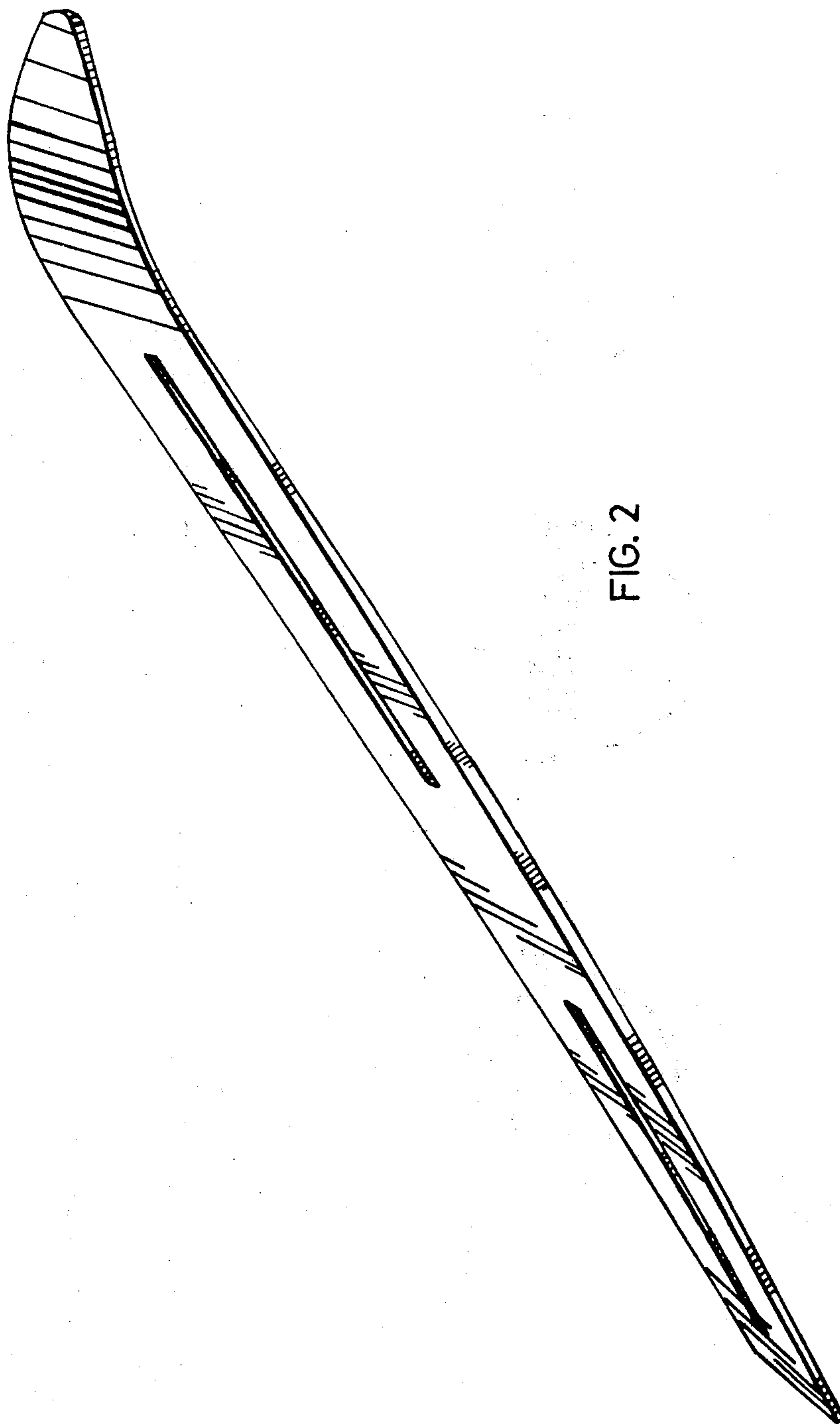


FIG. 2

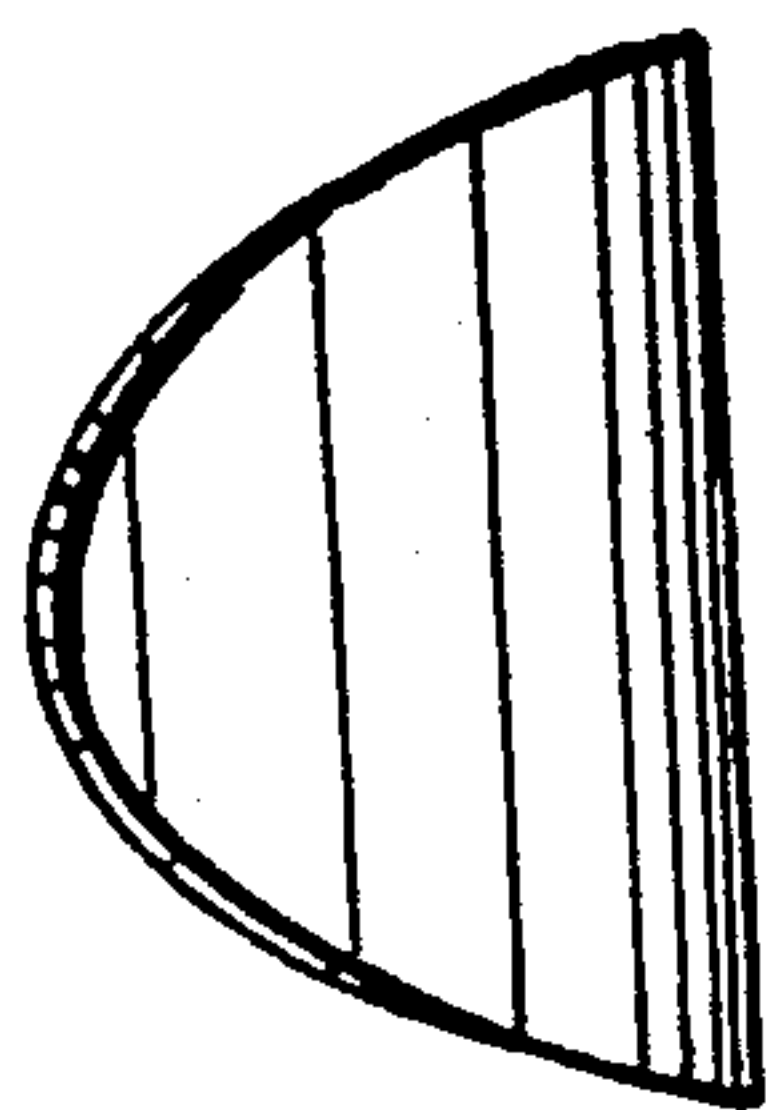


FIG. 3

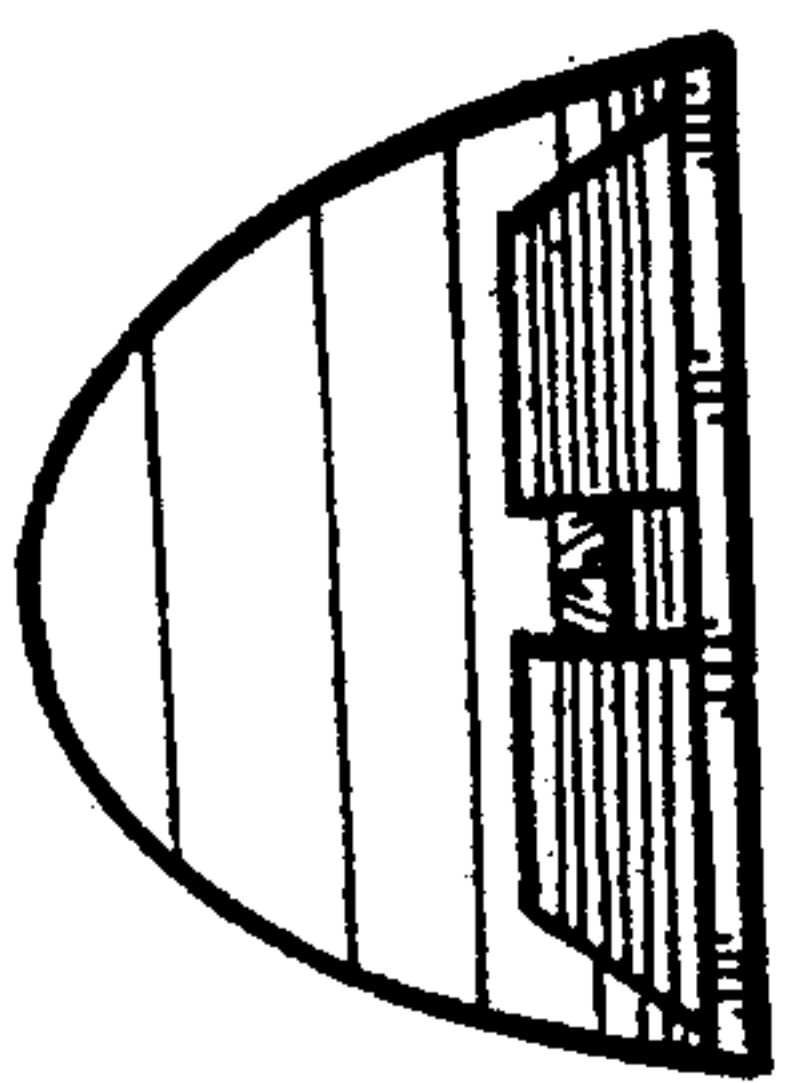


FIG. 4

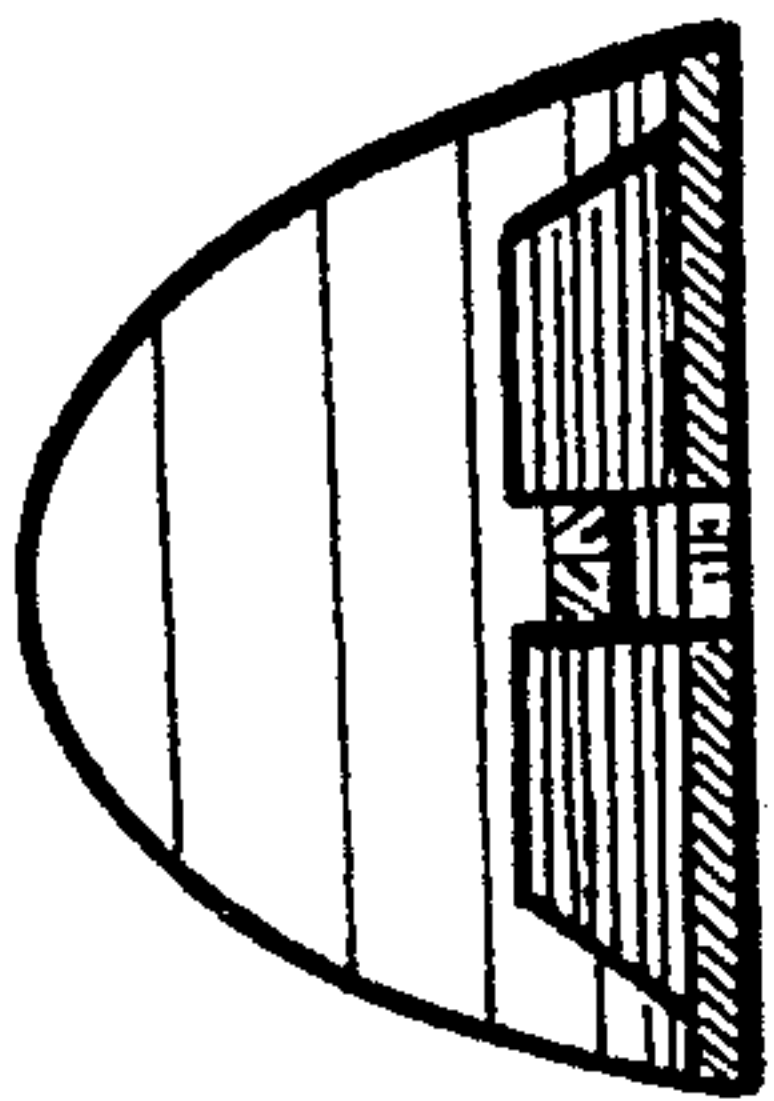


FIG. 6

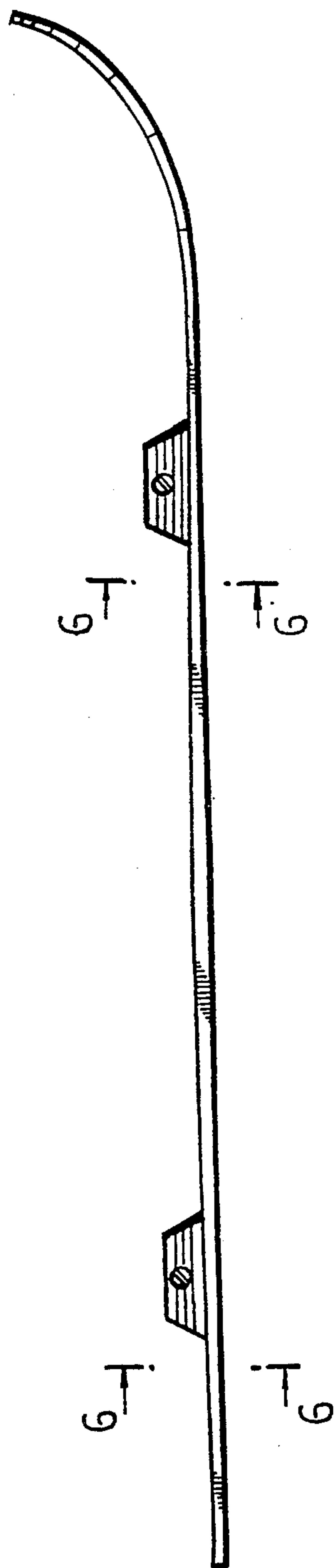


FIG. 5