

[54] **ACTION TOY**

D. 280,534 9/1985 Cassaro D21/168

[75] **Inventors:** Harry S. Thomson, Richmond; David M. Raffo; John A. Pape, both of Hitchin, all of England

[73] **Assignee:** Hestair Kiddicraft Limited, Couldson, England

[**] **Term:** 14 Years

[21] **Appl. No.:** 702,485

[22] **Filed:** Feb. 19, 1985

[30] **Foreign Application Priority Data**

Jan. 14, 1985 [GB] United Kingdom 1024388

[52] **U.S. Cl.** D21/150

[58] **Field of Search** D21/59, 63, 64, 65, D21/111, 150, 159, 168; 446/227, 183, 184, 419, 420, 421

[56] **References Cited**

U.S. PATENT DOCUMENTS

D. 216,320 12/1969 Smith D21/150

OTHER PUBLICATIONS

"Just for Kids" Toy Catalog, Fall, 1983, p. 12, item D, Jack in the Ball.

Sears 1983 Wish Book, p. 8, Item #8, "Roll-n-Play".
Hong Kong Toys, 1983, Action Toys Co. Ad, Item 8151, "Musical Roly Poly".

Primary Examiner—Charles A. Rademaker
Attorney, Agent, or Firm—McCormick, Paulding & Huber

[57] **CLAIM**

The ornamental design for action toy, as shown and described.

DESCRIPTION

FIG. 1 is a front elevational view of an action toy showing our new design;

FIG. 2 is a rear elevational view thereof;

FIG. 3 is a side elevational view thereof, the side opposite being a mirror image;

FIG. 4 is a top plan view thereof; and,

FIG. 5 is a bottom plan view thereof.

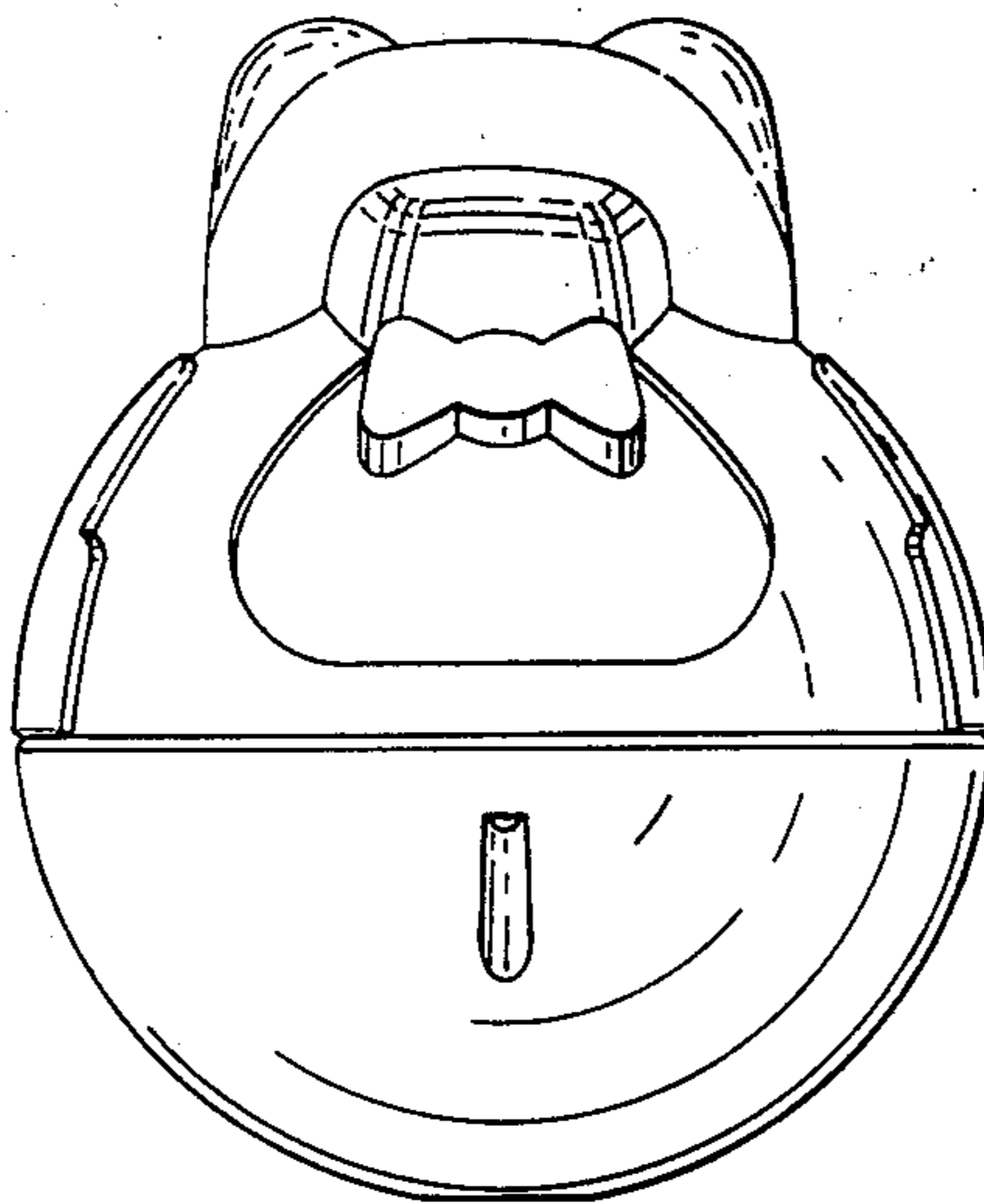


Fig. 1.

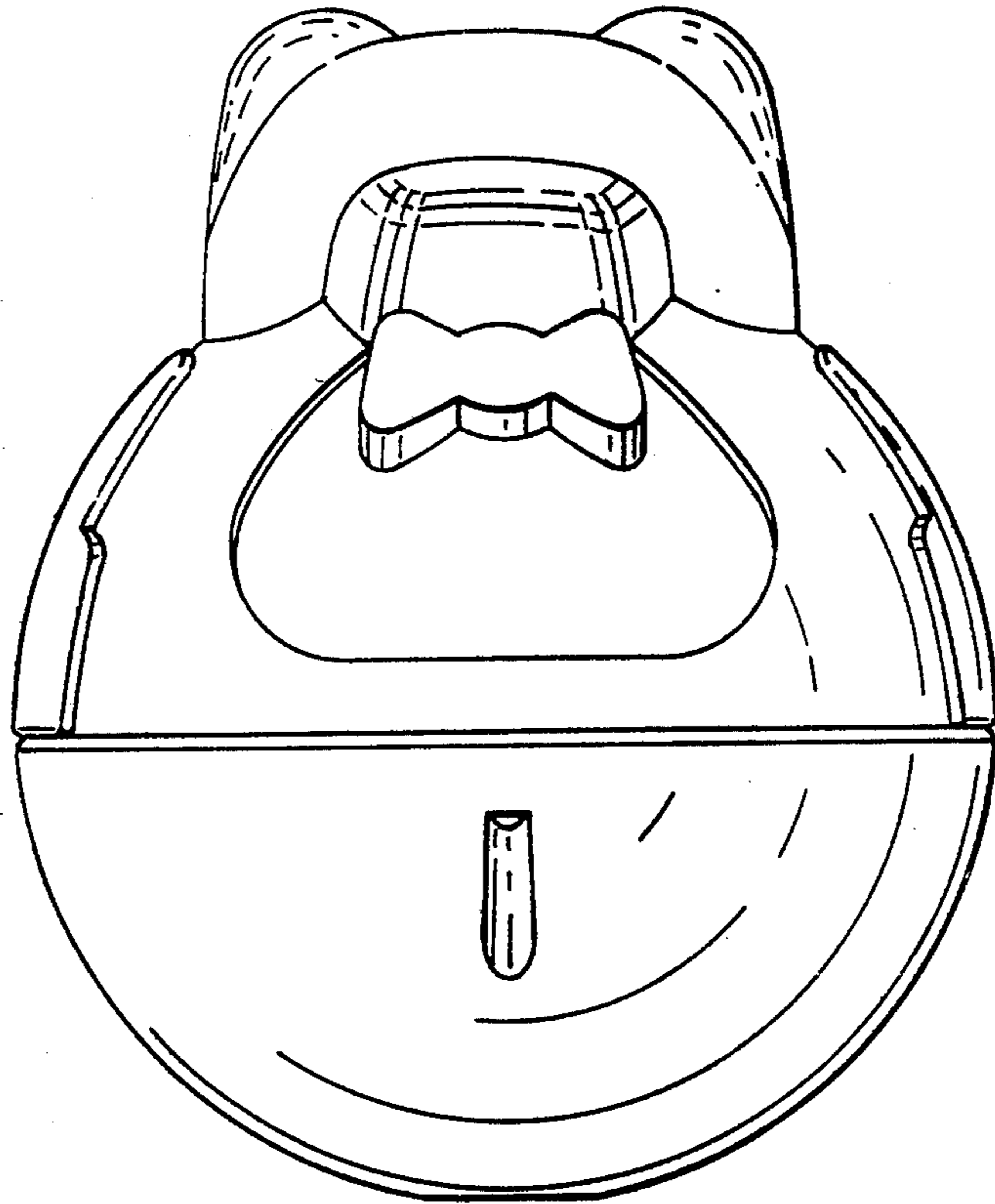


Fig. 2.

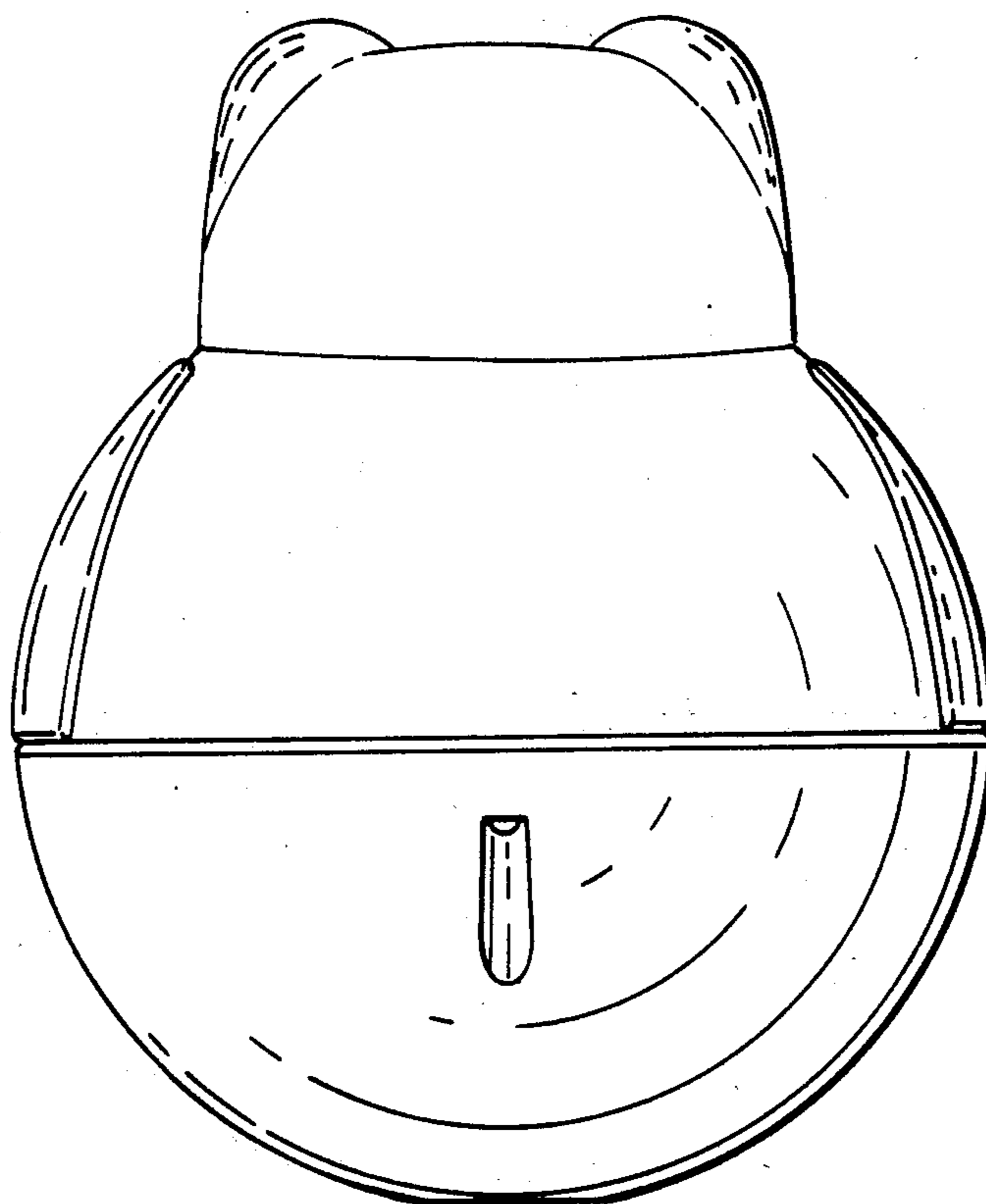


Fig. 3.

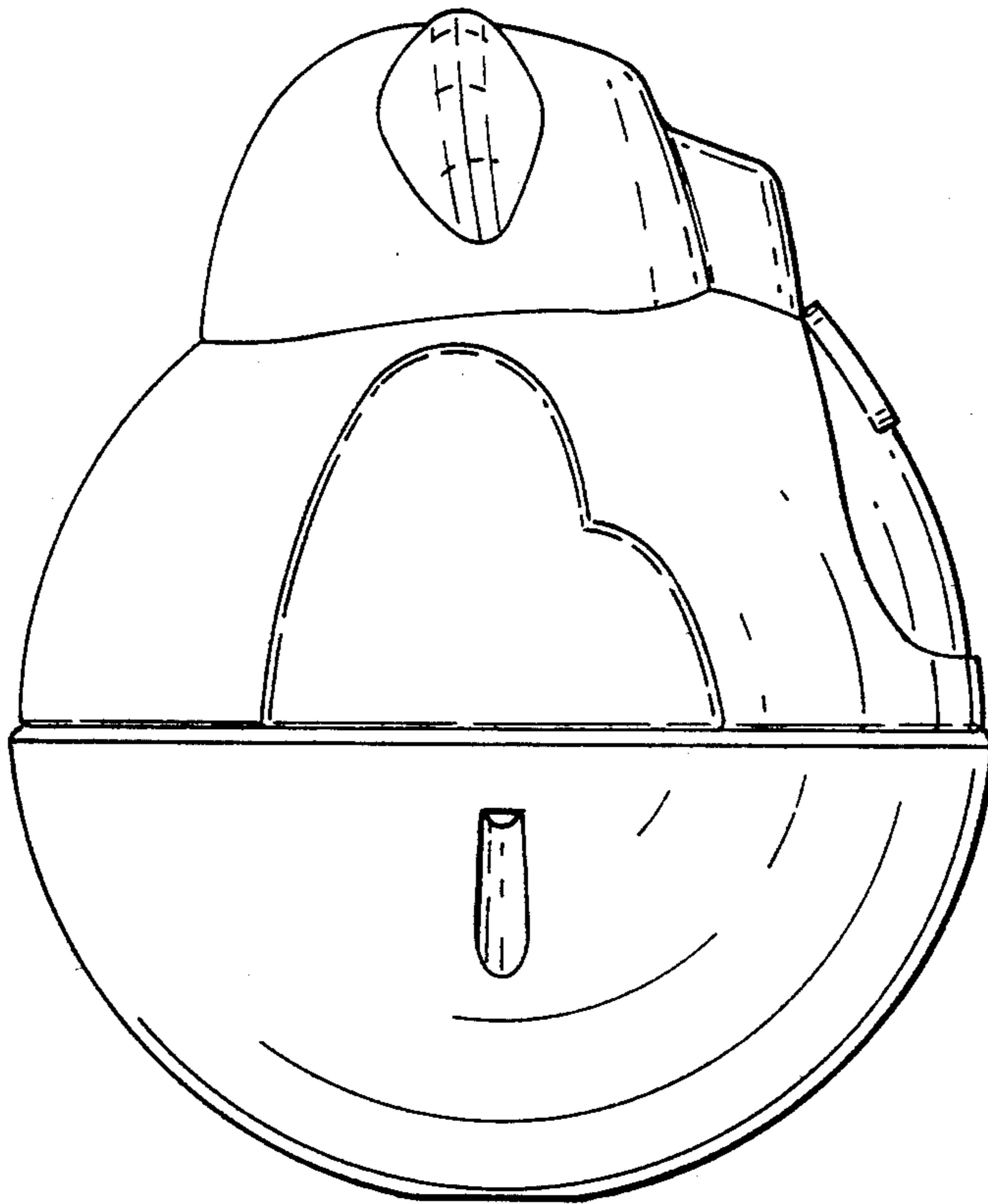


Fig. 4.

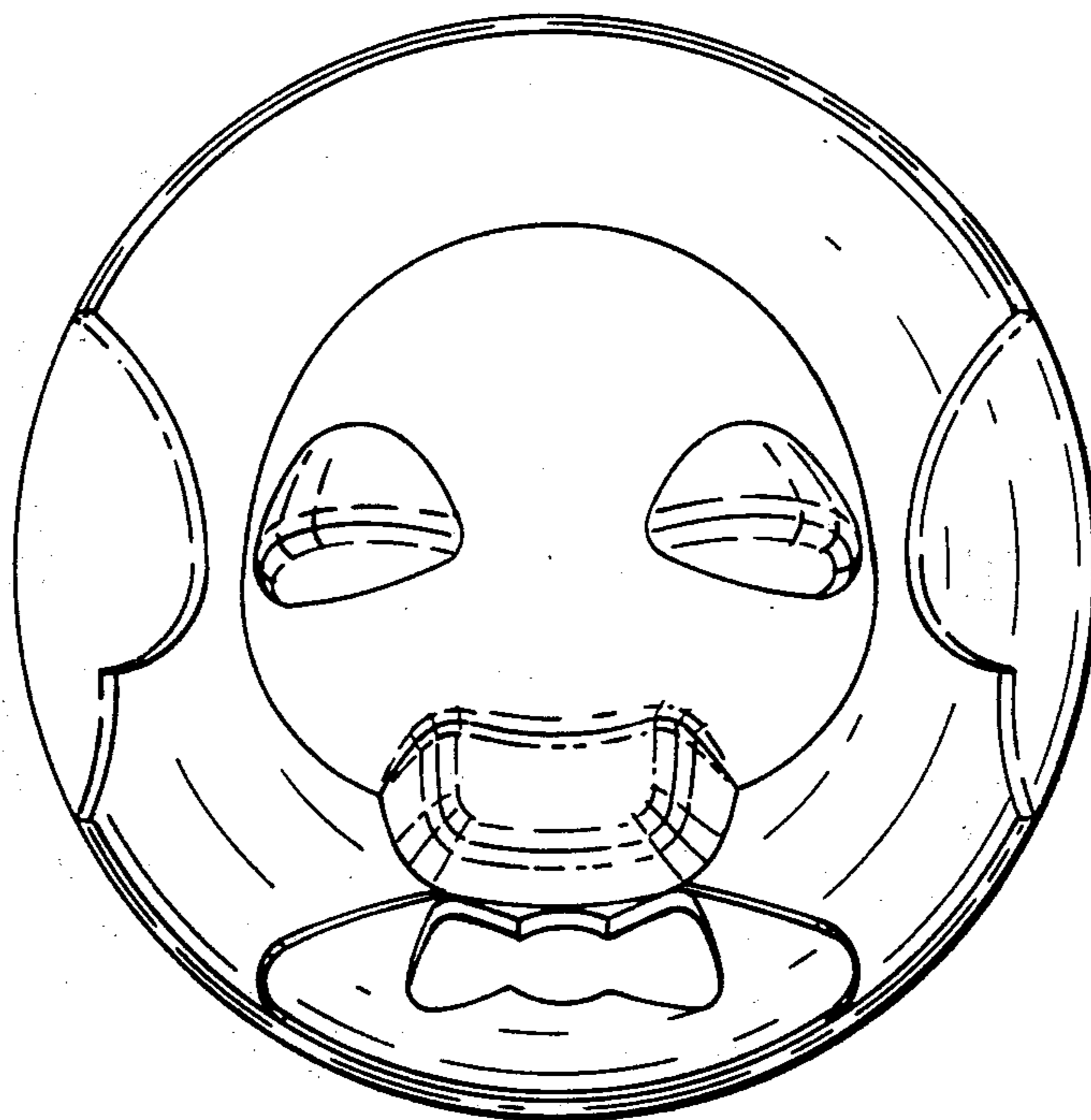


Fig. 5.

