

[54] **DESK TRAY**

[75] **Inventors:** Mark W. Hauser, Hudson, Wis.;
David C. Windorski, Cottage Grove,
Minn.

[73] **Assignee:** Minnesota Mining and
Manufacturing Company, St. Paul,
Minn.

[**] **Term:** 14 Years

[21] **Appl. No.:** 636,726

[22] **Filed:** Aug. 1, 1984

[52] **U.S. Cl.** D19/78; D19/91

[58] **Field of Search** D3/20-23,
D3/75, 77-85, 86, 90-92; 210/371; 211/126

[56] **References Cited**

U.S. PATENT DOCUMENTS

- D. 102,468 12/1936 McCoy D19/78
- D. 188,831 9/1960 Olson D19/92
- D. 273,798 5/1984 Pearson D19/78

- D. 277,176 6/1973 Franklin D19/77
- D. 282,083 1/1986 Kier D19/78

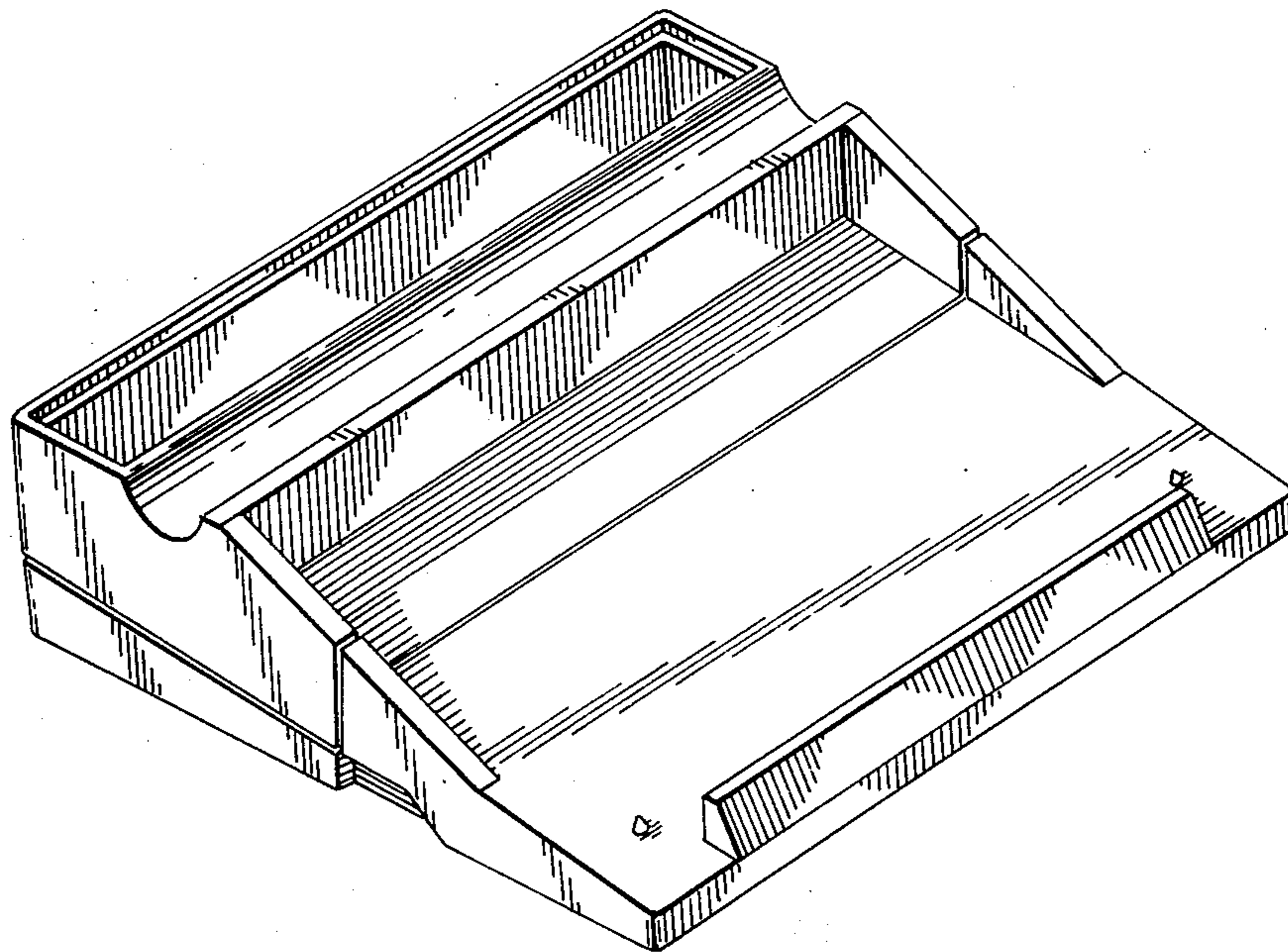
Primary Examiner—George P. Word
Attorney, Agent, or Firm—Sell, Donald M.; James A.
Smith; John C. Barnes

[57] **CLAIM**

The ornamental design for a desk tray, substantially as shown and described.

DESCRIPTION

FIG. 1 is a perspective view of a desk tray showing our new design;
 FIG. 2 is a top plan view thereof;
 FIG. 3 is a right side elevational view, the left side being a mirror image thereof;
 FIG. 4 is a front elevational view thereof;
 FIG. 5 is a rear elevational view thereof;
 FIG. 6 is a bottom view thereof;
 FIG. 7 is a perspective view of a second embodiment of a desk tray showing our new design; and
 FIG. 8 is a perspective view of a further embodiment of a desk tray showing our new design.



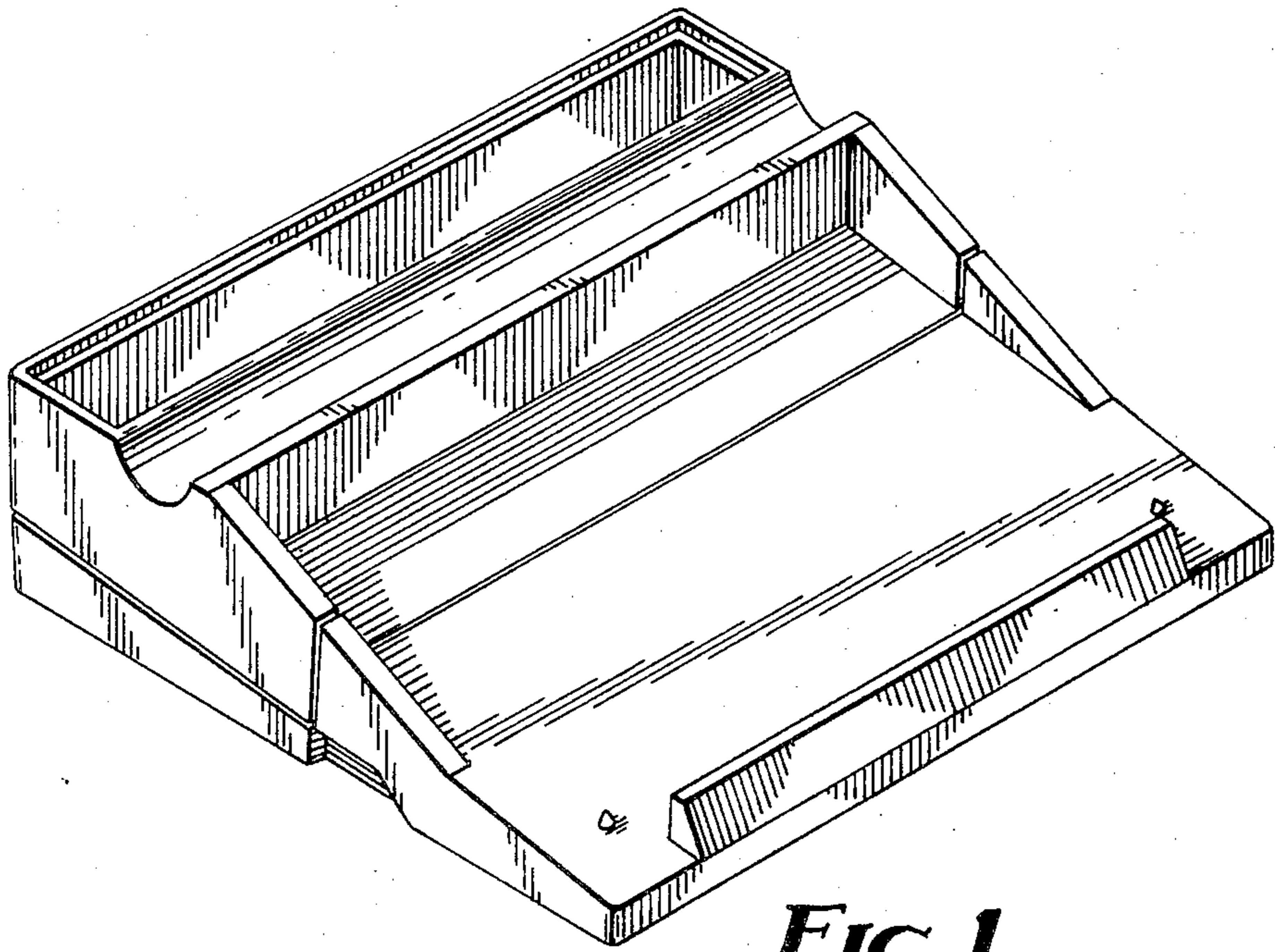


FIG. 1

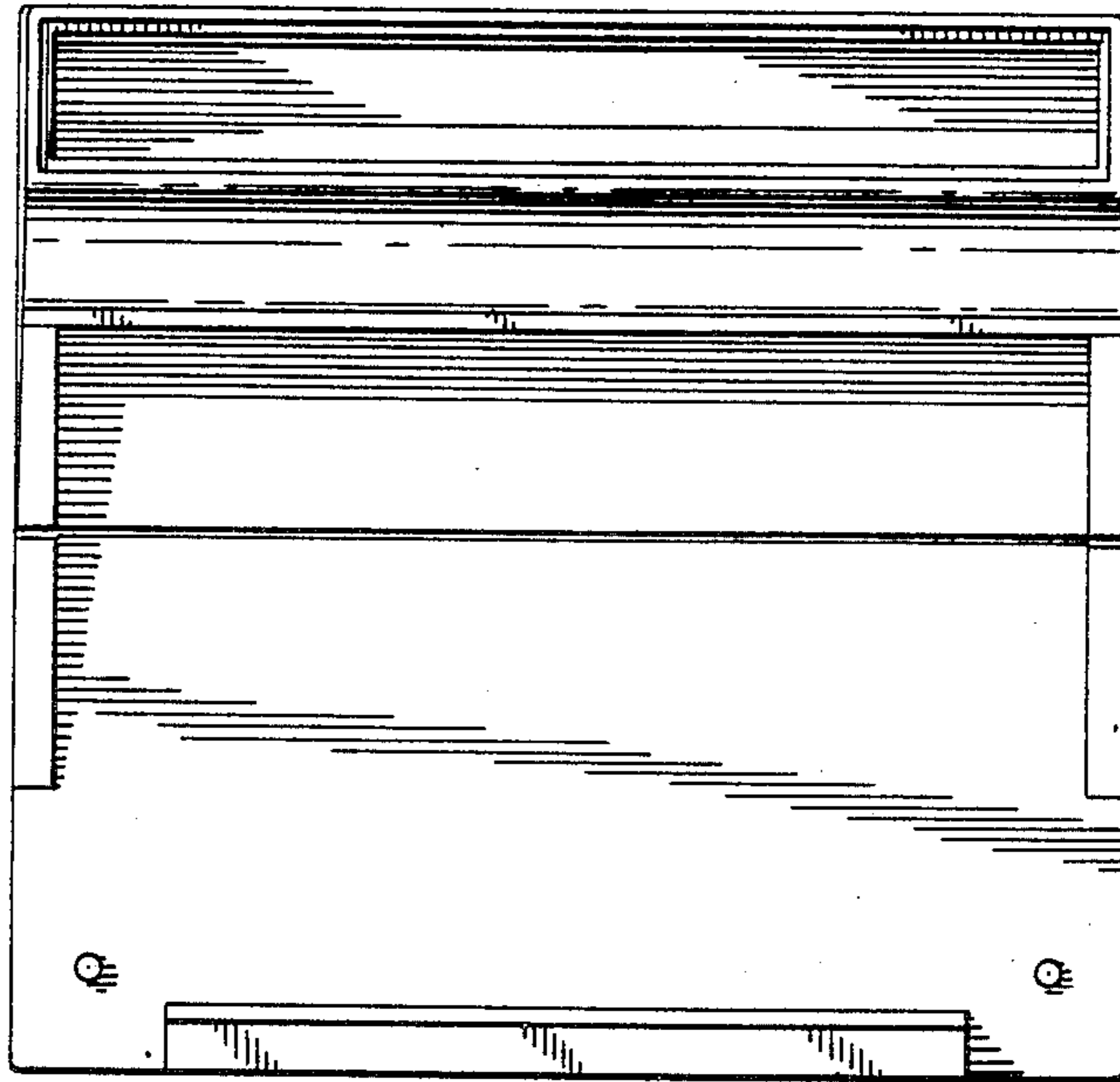


FIG. 2

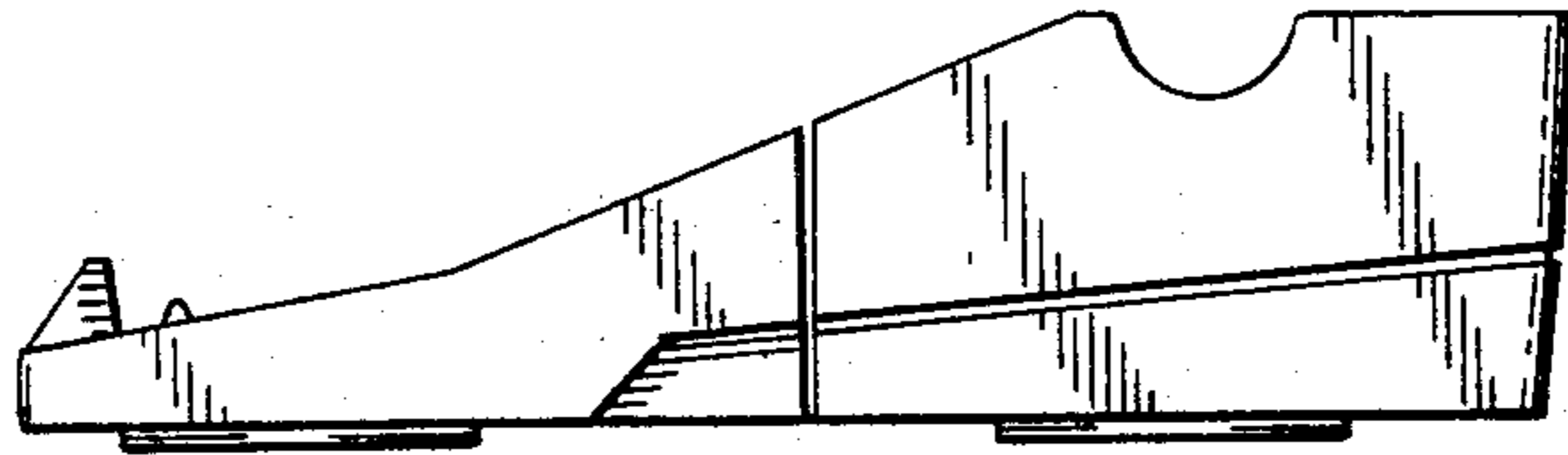


FIG. 3

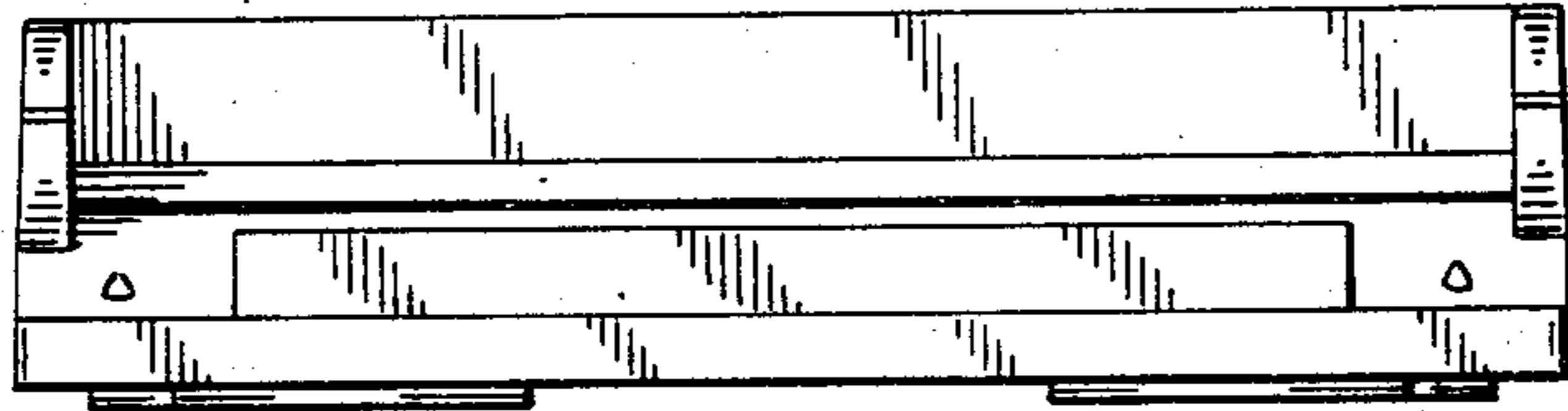


FIG. 4

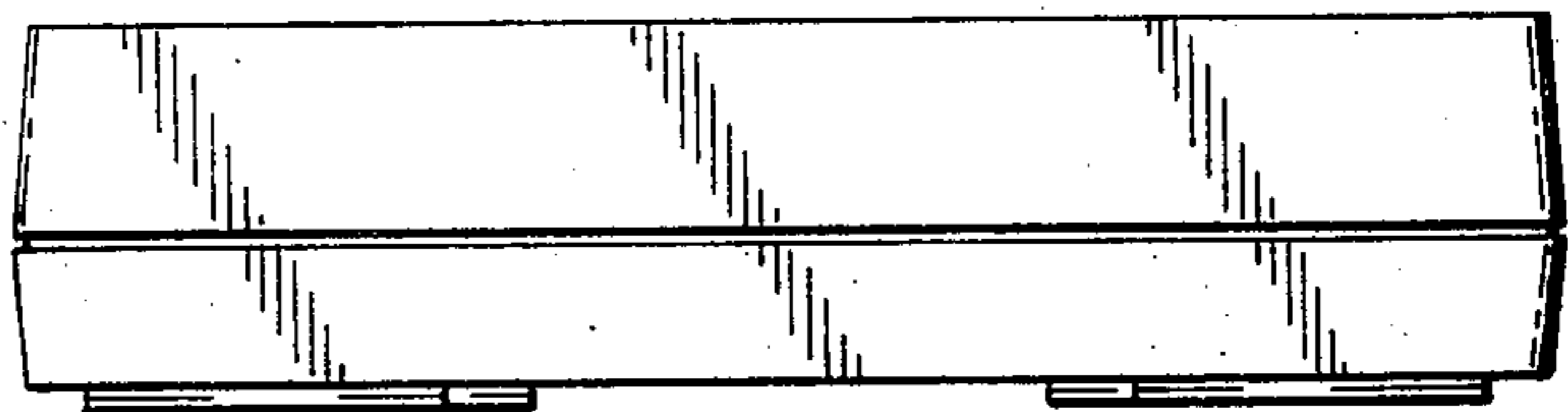


FIG. 5

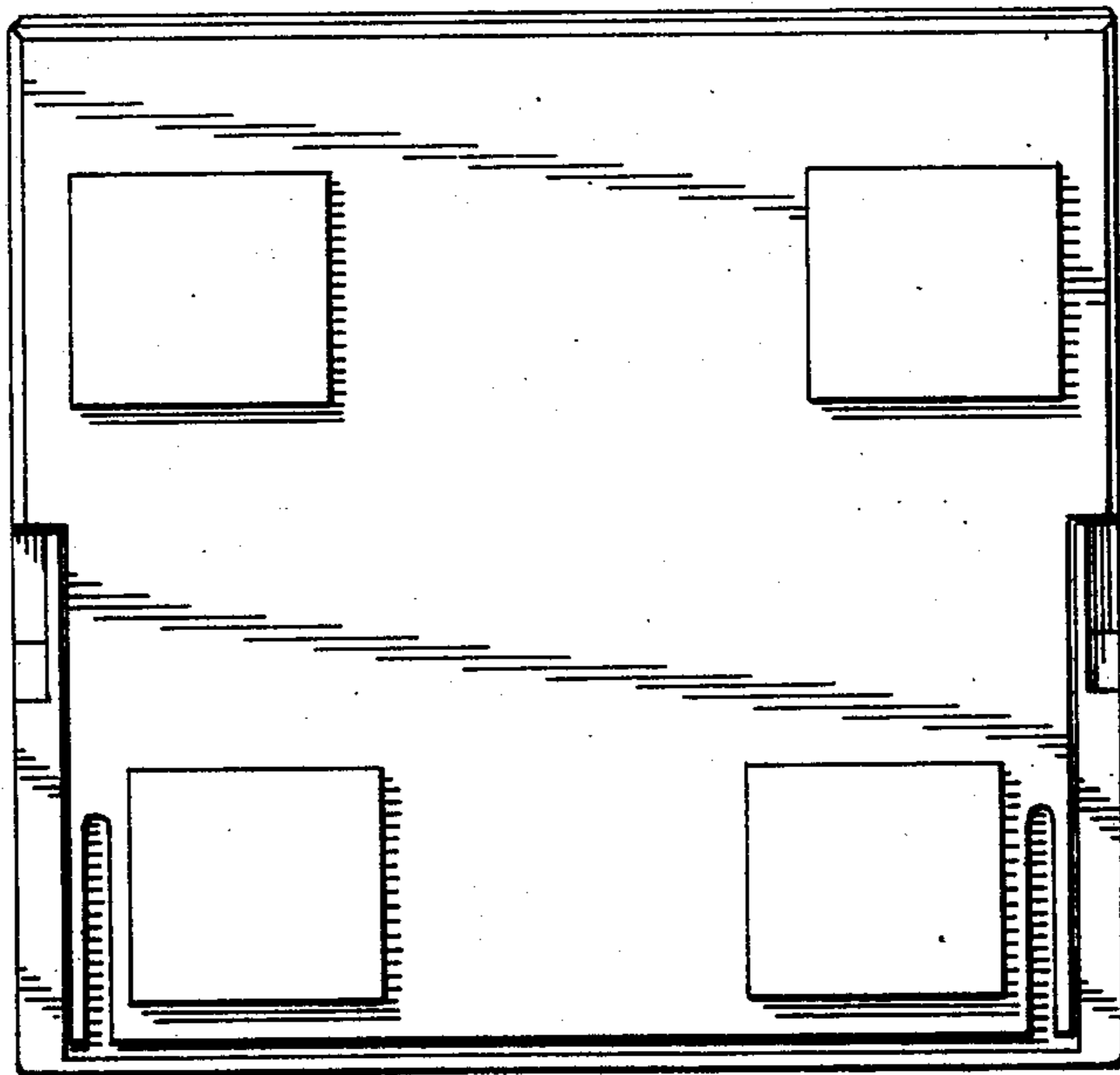


FIG. 6

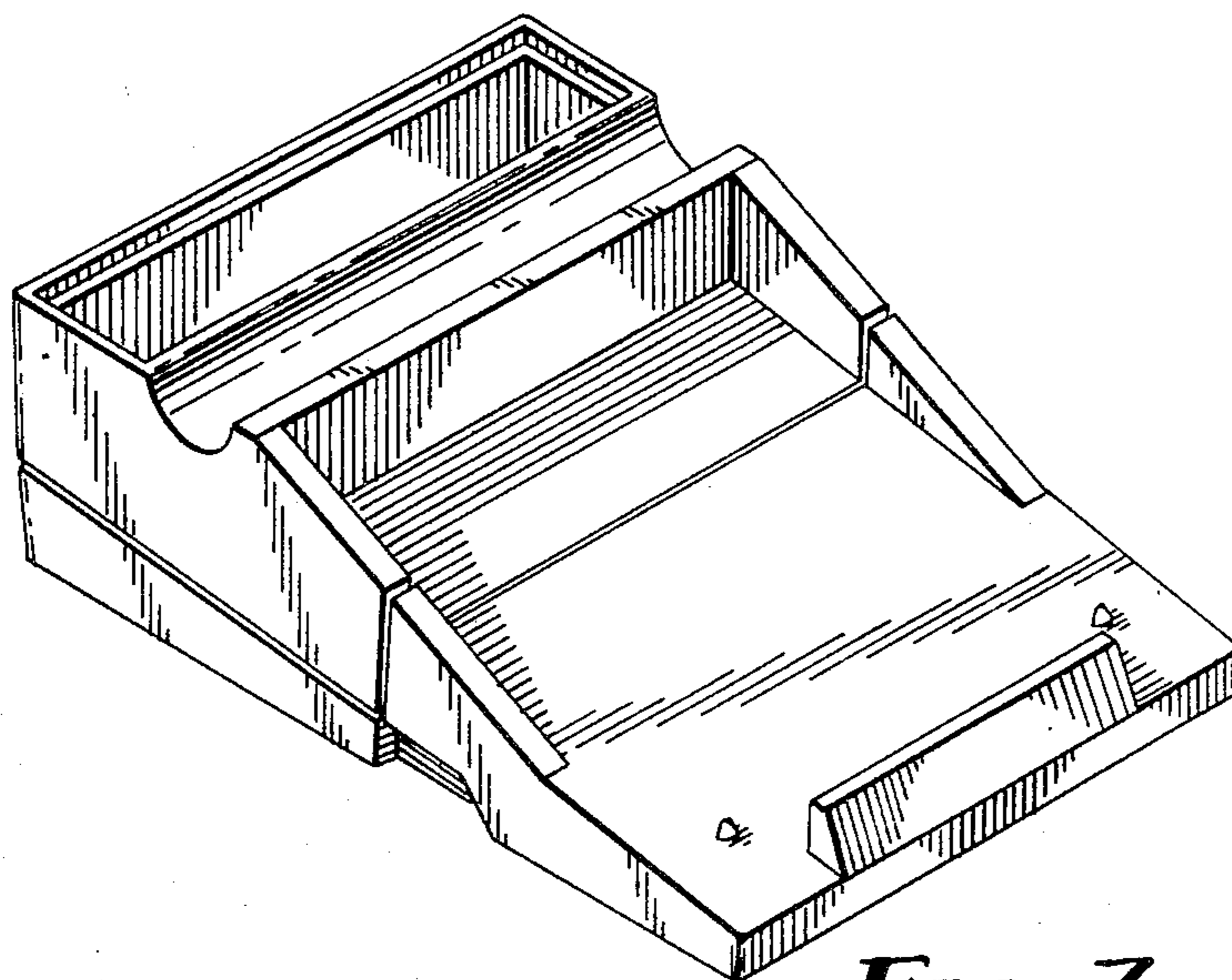


FIG. 7

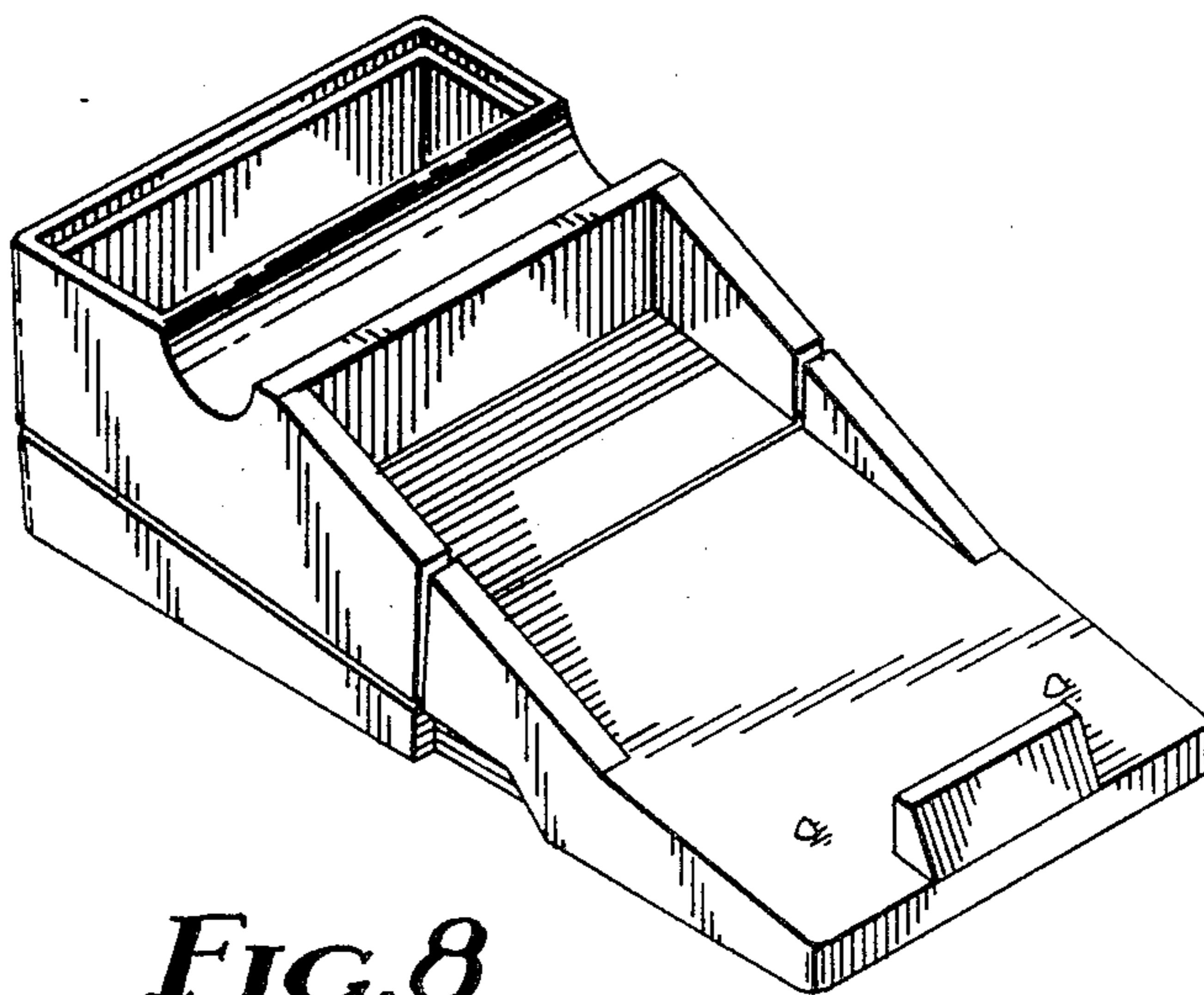


FIG. 8