

[54] ELECTROPHOTOGRAPHIC COPYING MACHINE

[75] Inventor: Masanori Hashimoto, Kanagawa, Japan

[73] Assignee: Ricoh Company, Ltd., Japan

[**] Term: 14 Years

[21] Appl. No.: 624,582

[22] Filed: Jun. 26, 1984

[30] Foreign Application Priority Data

Dec. 26, 1983 [JP] Japan 58-056764

[52] U.S. Cl. D16/31

[58] Field of Search D16/27-32; 355/3 R, 3 SH, 3 DD, 3 DY, 5-19, 51, 54, 64-65, 14 SH, 44-45

[56] References Cited

U.S. PATENT DOCUMENTS

D. 251,912 5/1979 Nakade D16/31

D. 270,164 8/1983 Sawada D16/31
D. 270,540 9/1983 Sakurai D16/31
D. 276,051 10/1984 Kosako D16/31
D. 278,346 4/1985 Saito D16/31
D. 280,631 9/1985 Nakade D16/31
D. 280,632 9/1985 Nakade D16/31

Primary Examiner—Nelson C. Holtje
Attorney, Agent, or Firm—Guy W. Shoup

[57] CLAIM

The ornamental design for an electrophotographic copying machine, as shown.

DESCRIPTION

FIG. 1 is a top and right front perspective view of an electrophotographic copying machine showing my new design;

FIG. 2 is a front elevational view thereof;

FIG. 3 is a top plan view thereof;

FIG. 4 is a right side elevational view thereof;

FIG. 5 is a left side elevational view thereof;

FIG. 6 is a rear elevational view thereof;

FIG. 7 is a bottom plan view thereof.

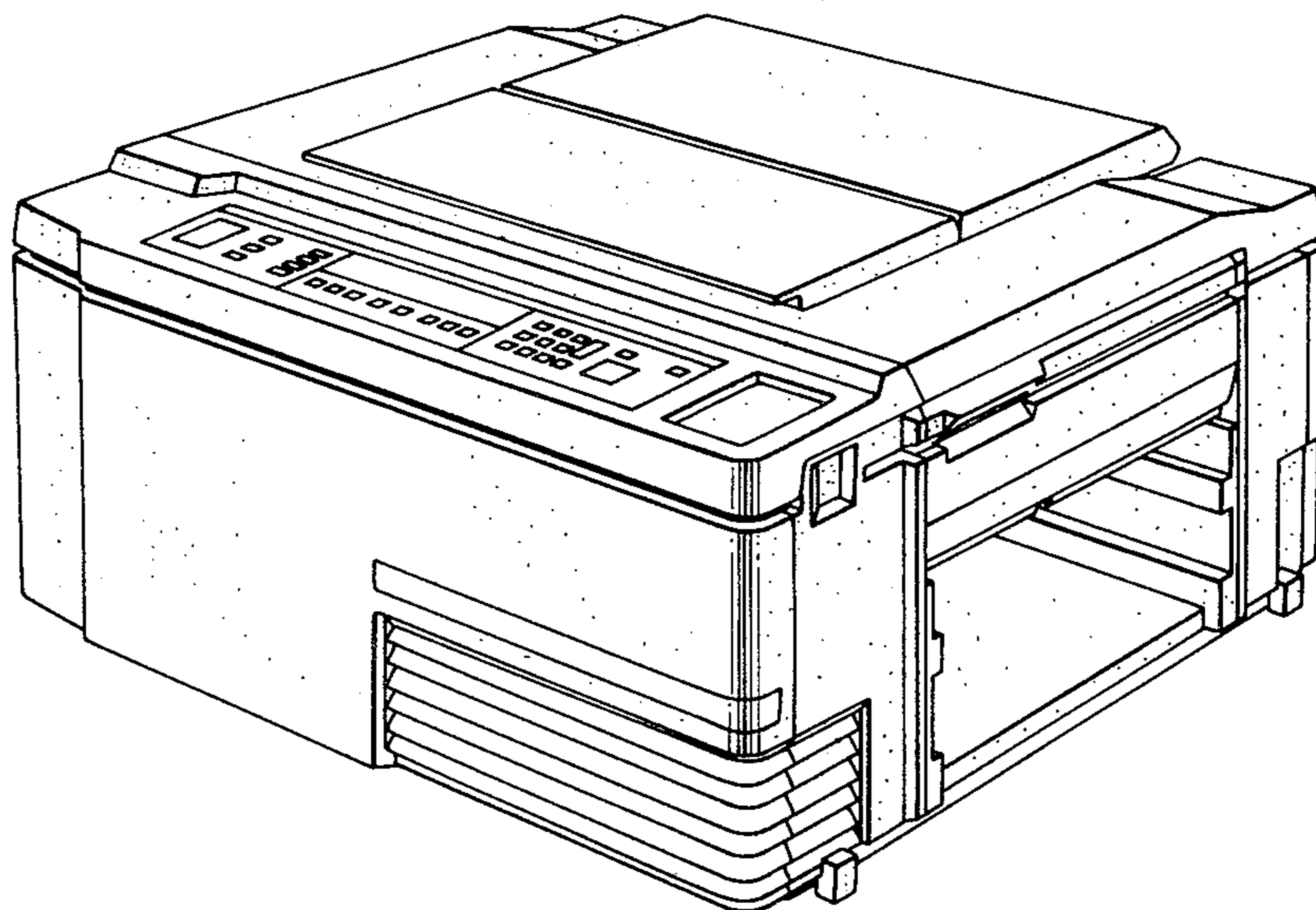


FIG. 1

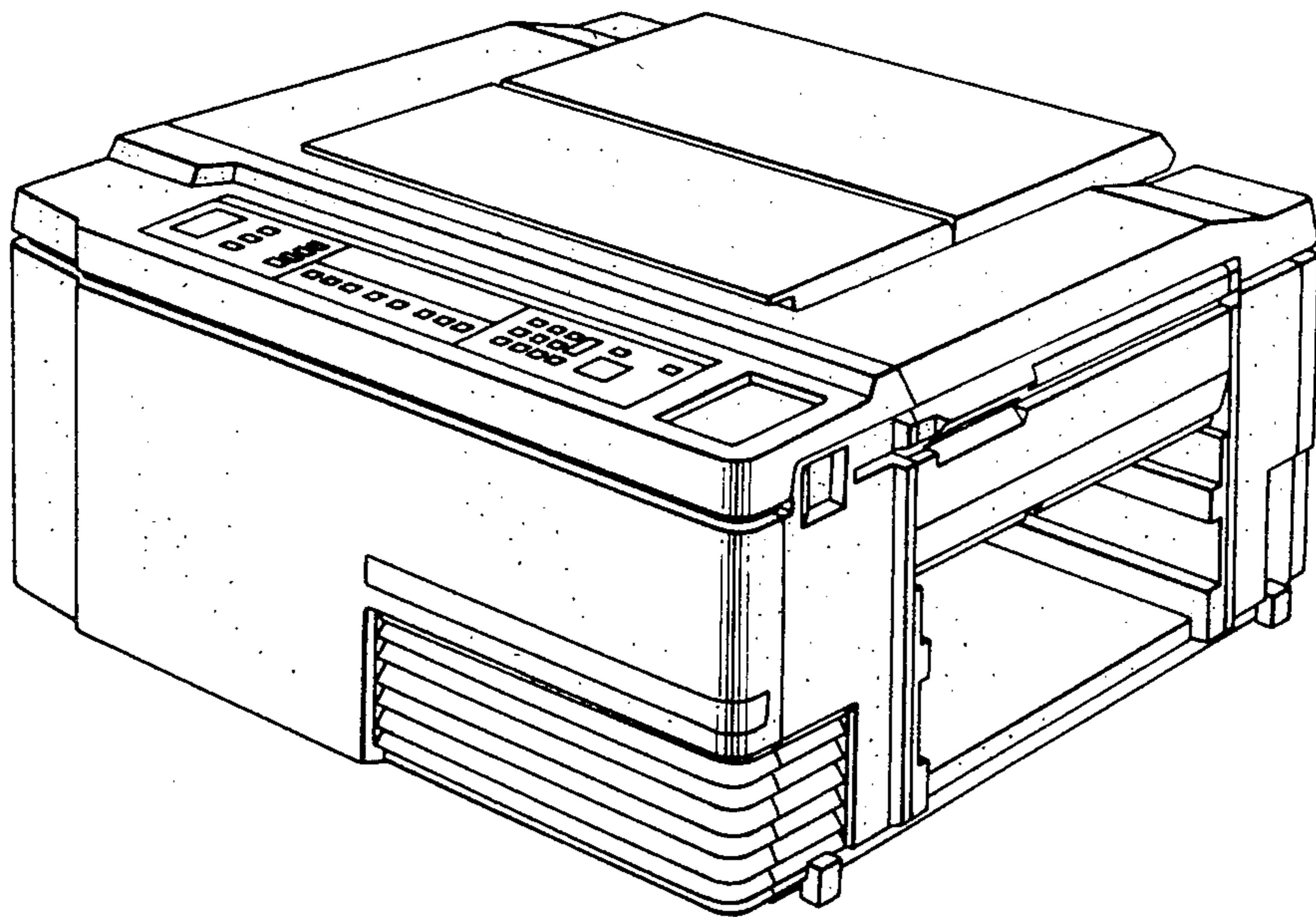


FIG. 2

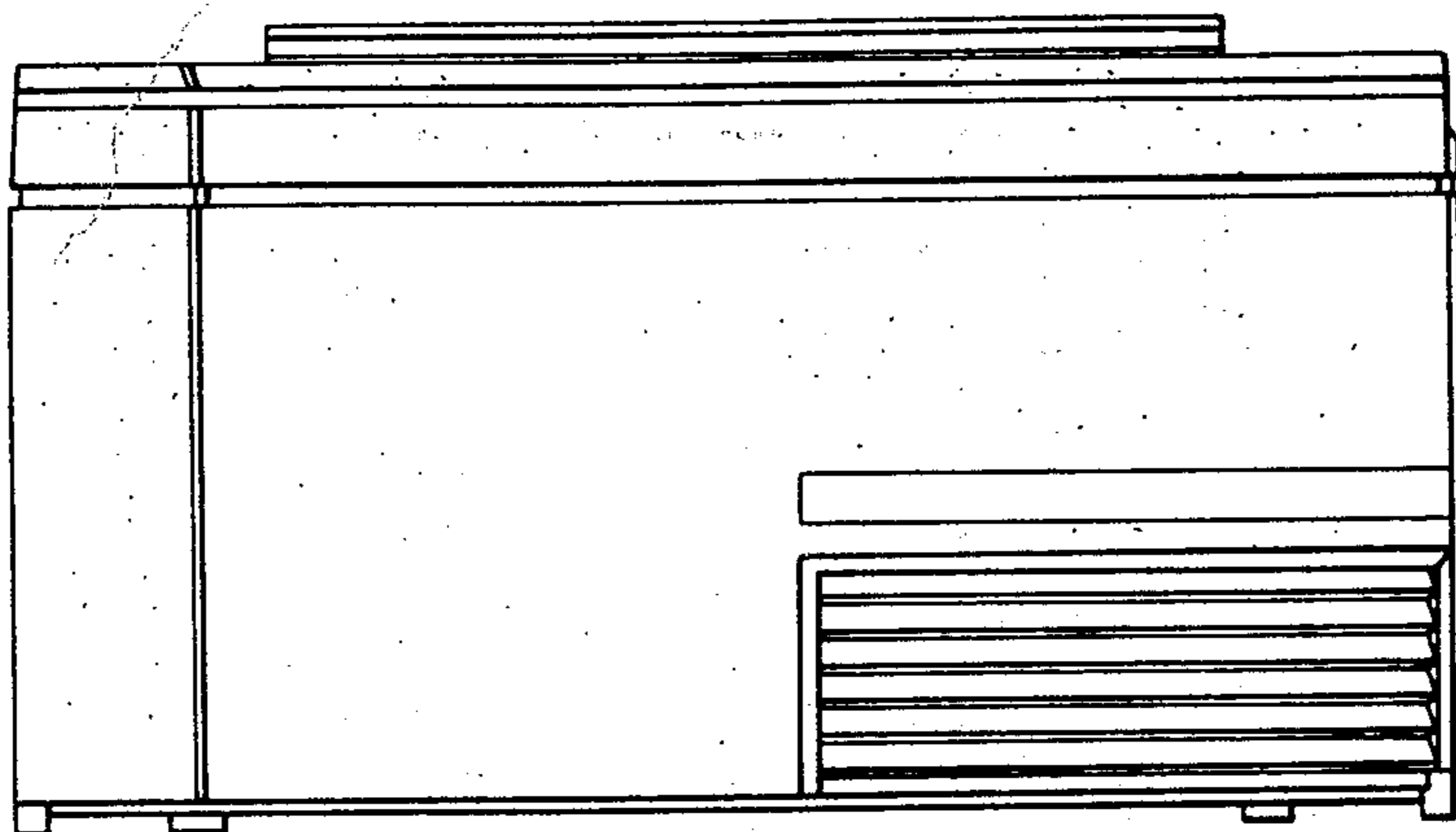


FIG. 3

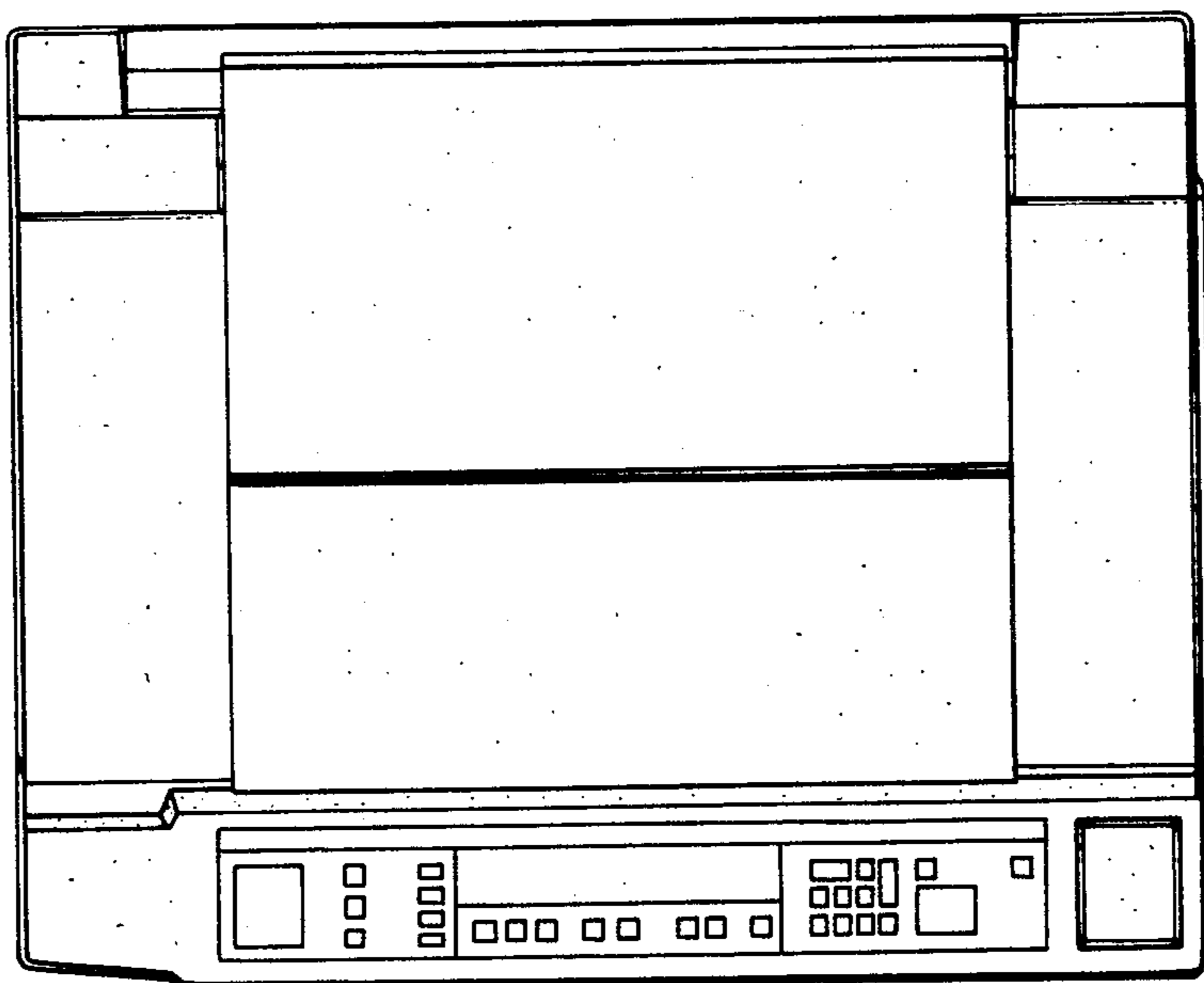


FIG. 4

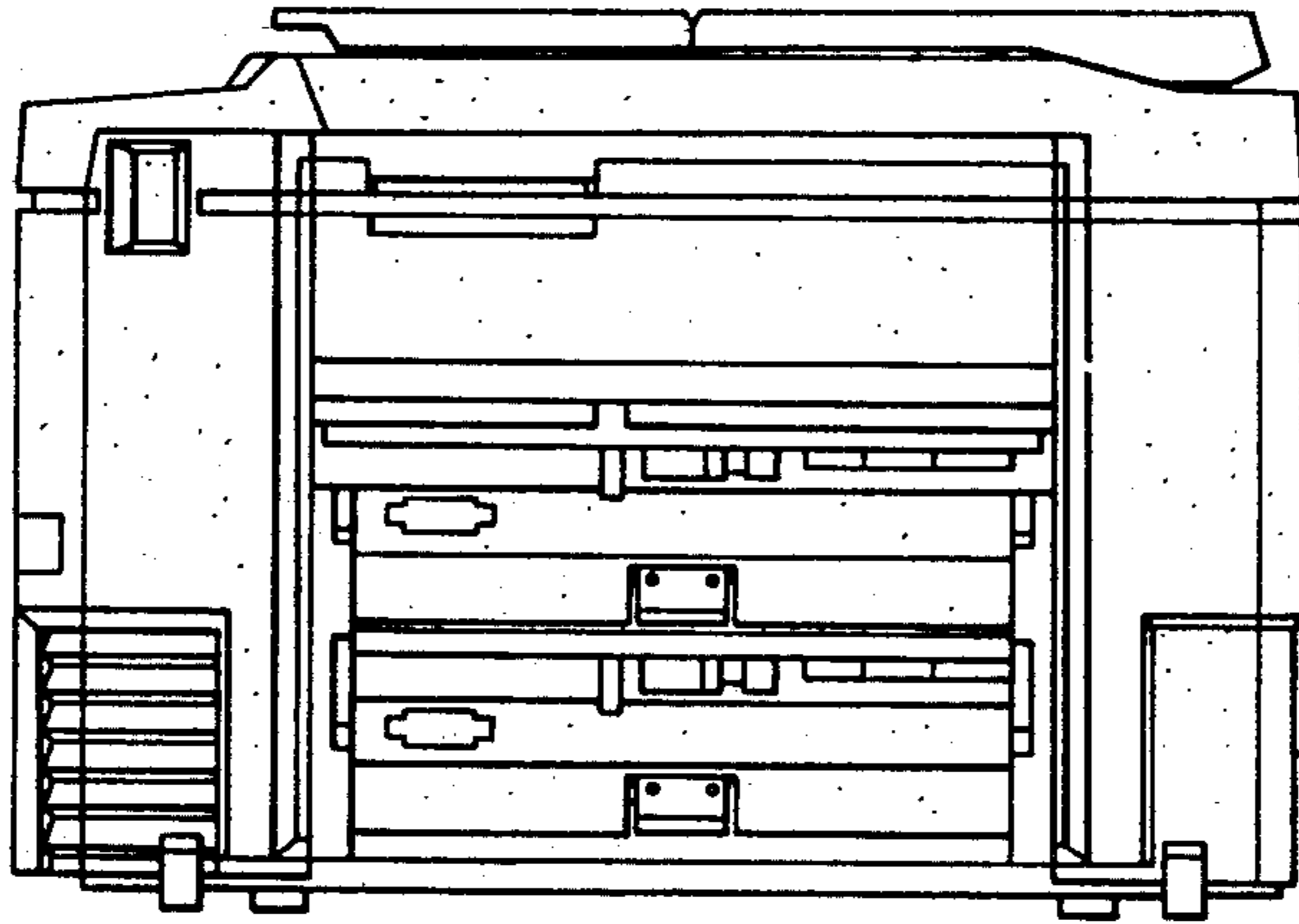


FIG. 5

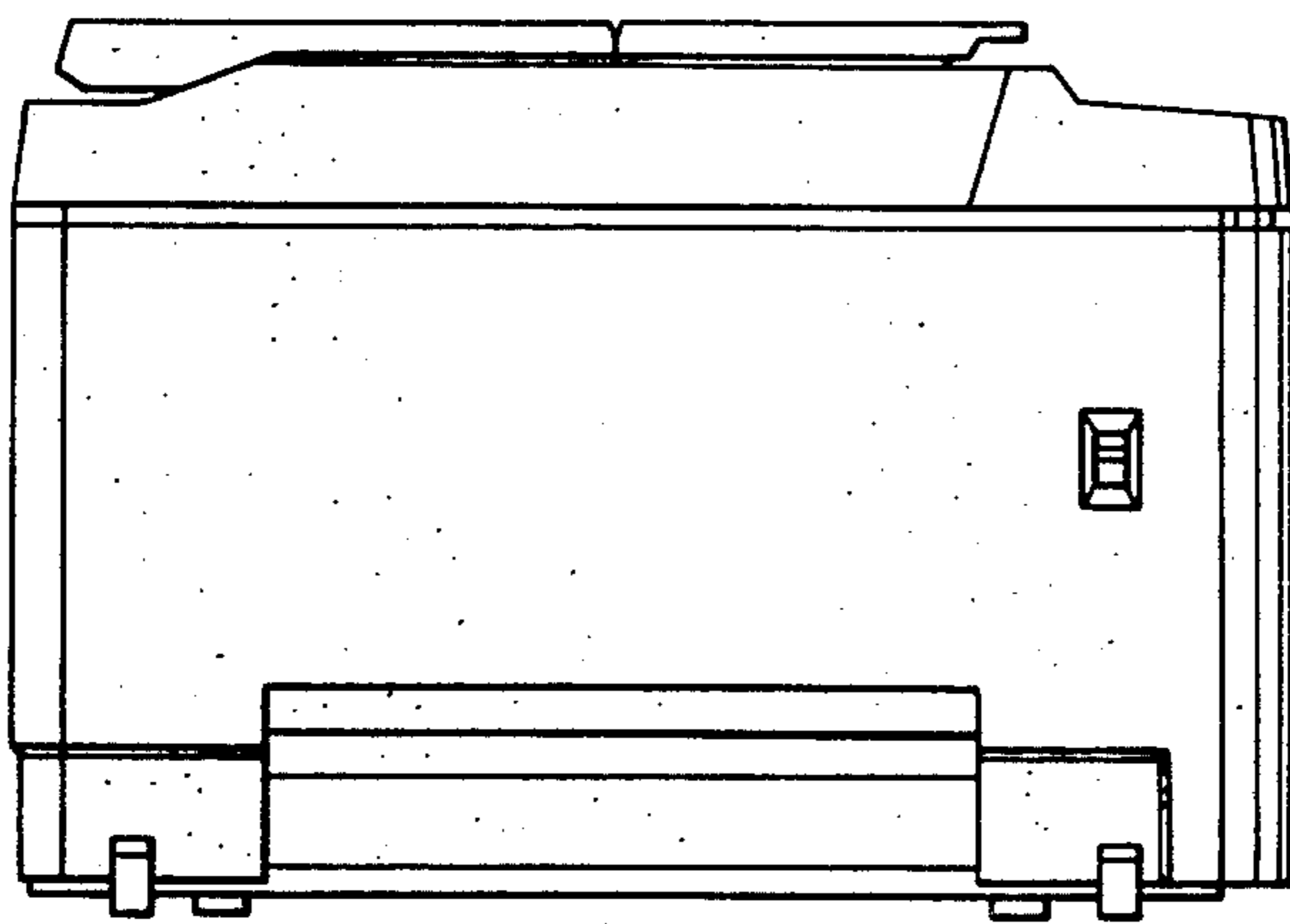


FIG. 6

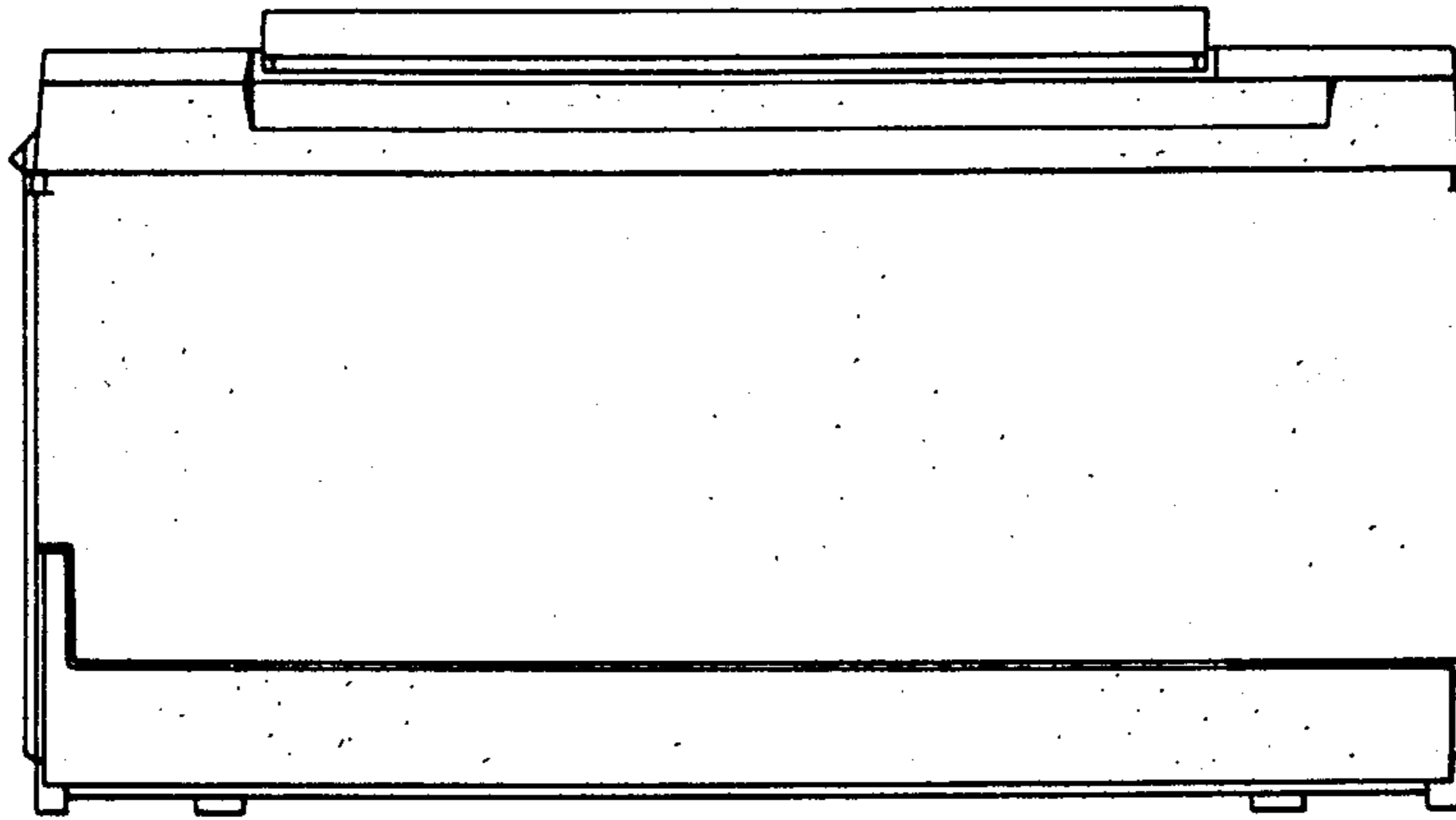


FIG. 7

