

[54] **PRINTER**

[75] Inventor: Toshio Yamamoto, Kanagawa, Japan

[73] Assignee: Ricoh Company Ltd., Japan

[**] Term: 14 Years

[21] Appl. No.: 656,449

[22] Filed: Oct. 1, 1984

[30] **Foreign Application Priority Data**

Mar. 30, 1984 [JP] Japan 59-012392

[52] U.S. Cl. D14/111

[58] Field of Search D14/100, 107, 111, 114;
D18/13, 22, 23; 400/690.1, 691, 693

[56] **References Cited**

U.S. PATENT DOCUMENTS

D. 263,473 3/1982 Hashimoto D14/111

OTHER PUBLICATIONS

Apple Computer "Professionally Speaking" Information Service, vol. 2, No. 1, Letter Quality Printer.

Computer Design, 2-1981, p. 25, Pertec P80 Printer. Sharp Publication, Color Jet Printer.

Primary Examiner—Susan J. Lucas
Attorney, Agent, or Firm—Guy W. Shoup

[57] **CLAIM**

The ornamental design for printer, as shown and described.

DESCRIPTION

FIG. 1 is a perspective view of a printer showing my new design;

FIG. 2 is a top plan view thereof on an enlarged scale;

FIG. 3 is a front elevational view thereof on an enlarged scale;

FIG. 4 is a side elevational view thereof on an enlarged scale;

FIG. 5 is an opposite side elevational view thereof on an enlarged scale;

FIG. 6 is a rear elevational view thereof on an enlarged scale;

FIG. 7 is a bottom plan view thereof on an enlarged scale.

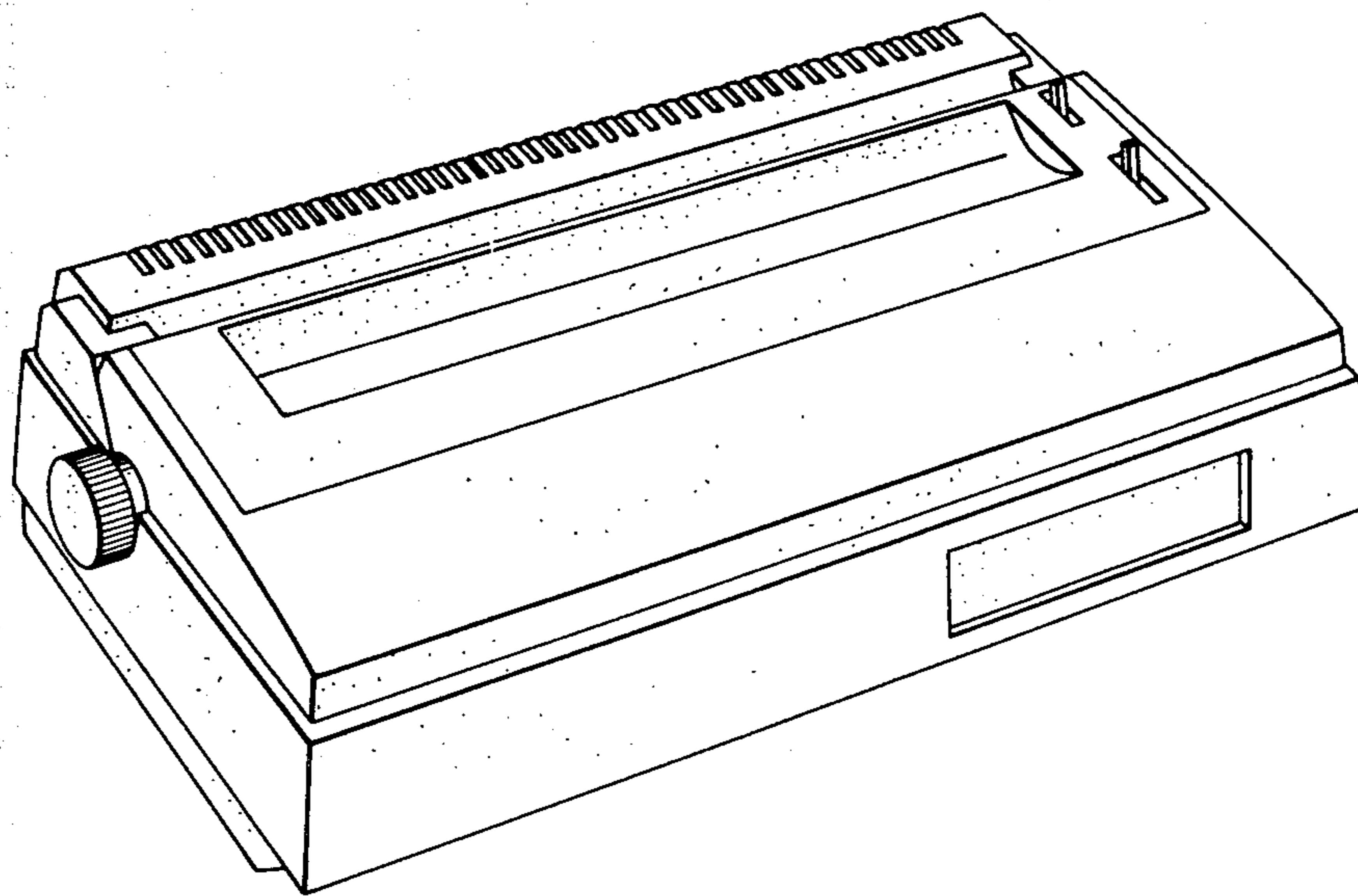


FIG. 1

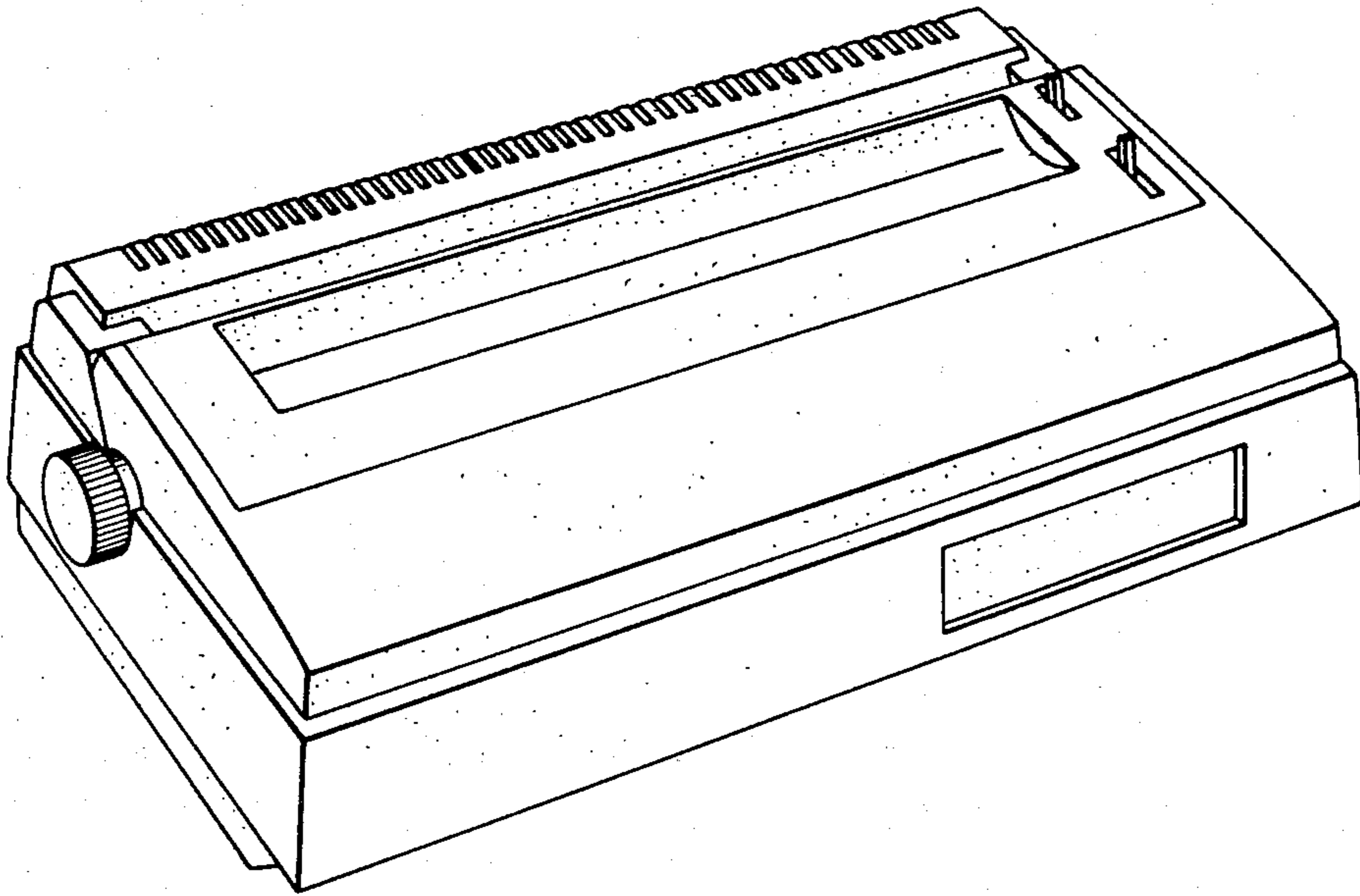


FIG. 2

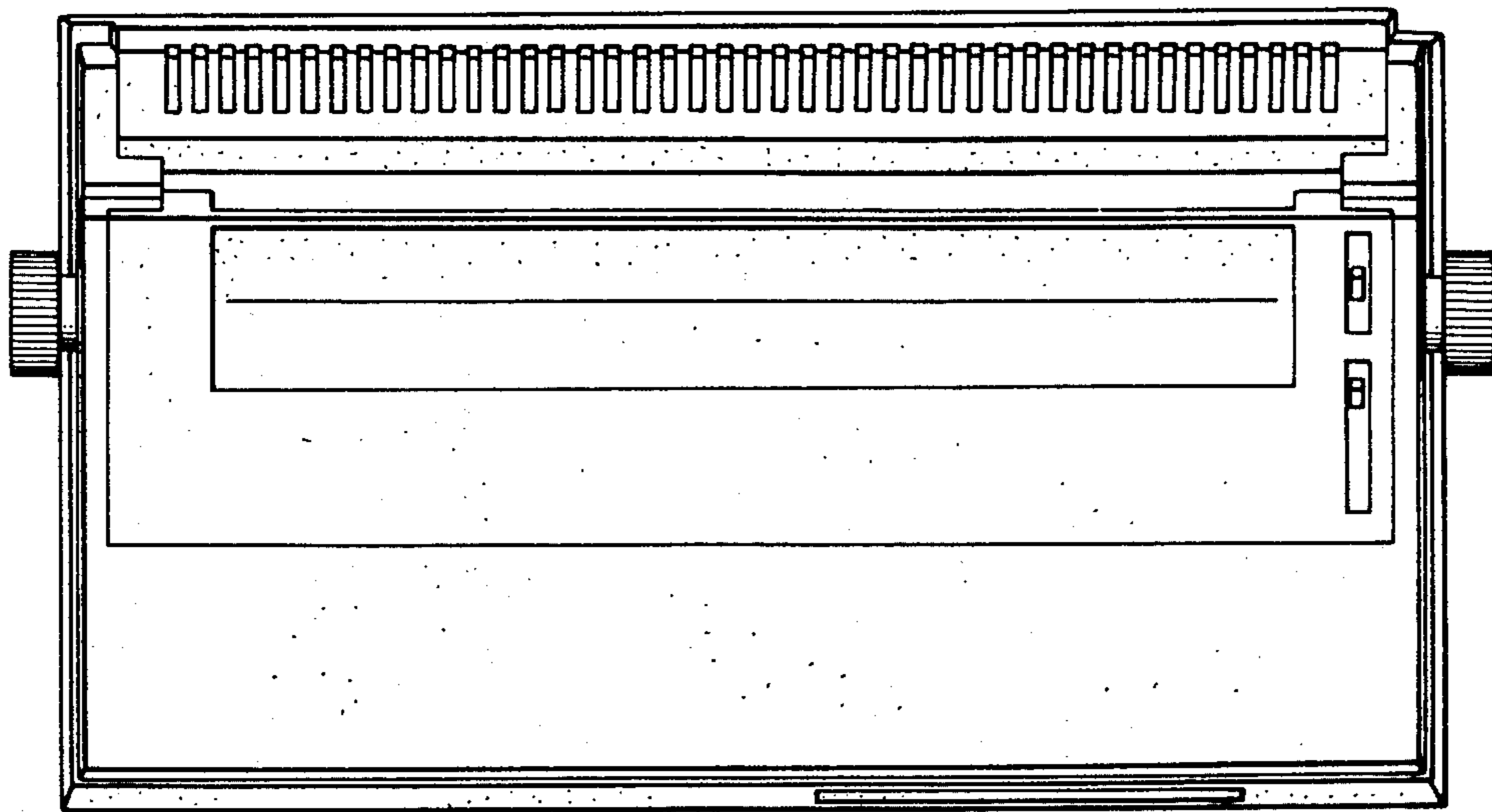


FIG. 3

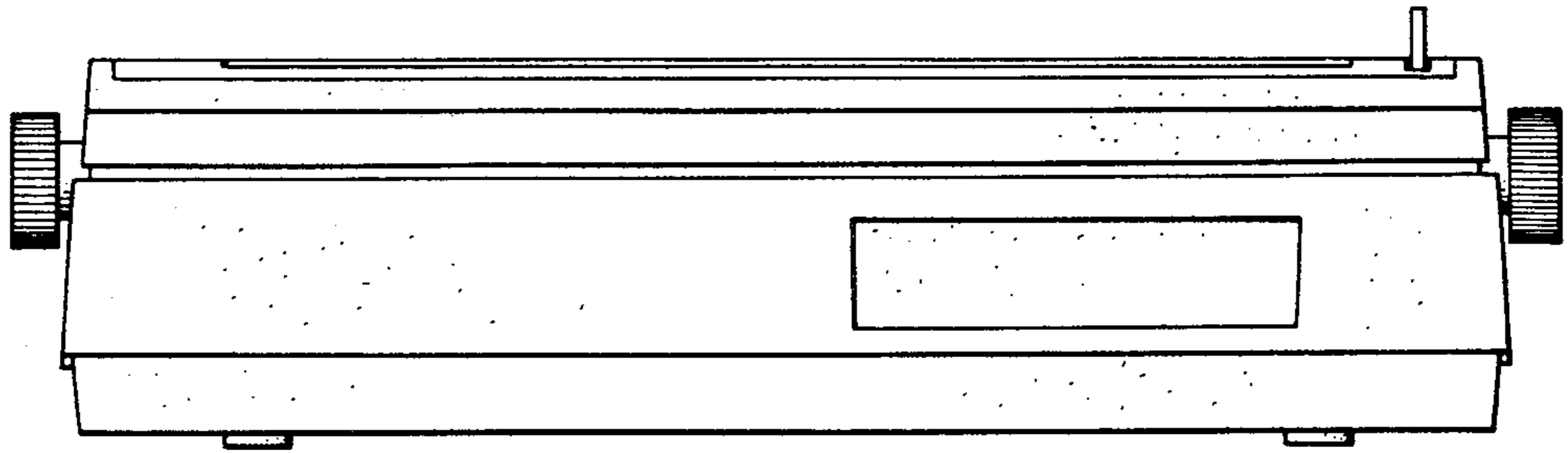


FIG. 4

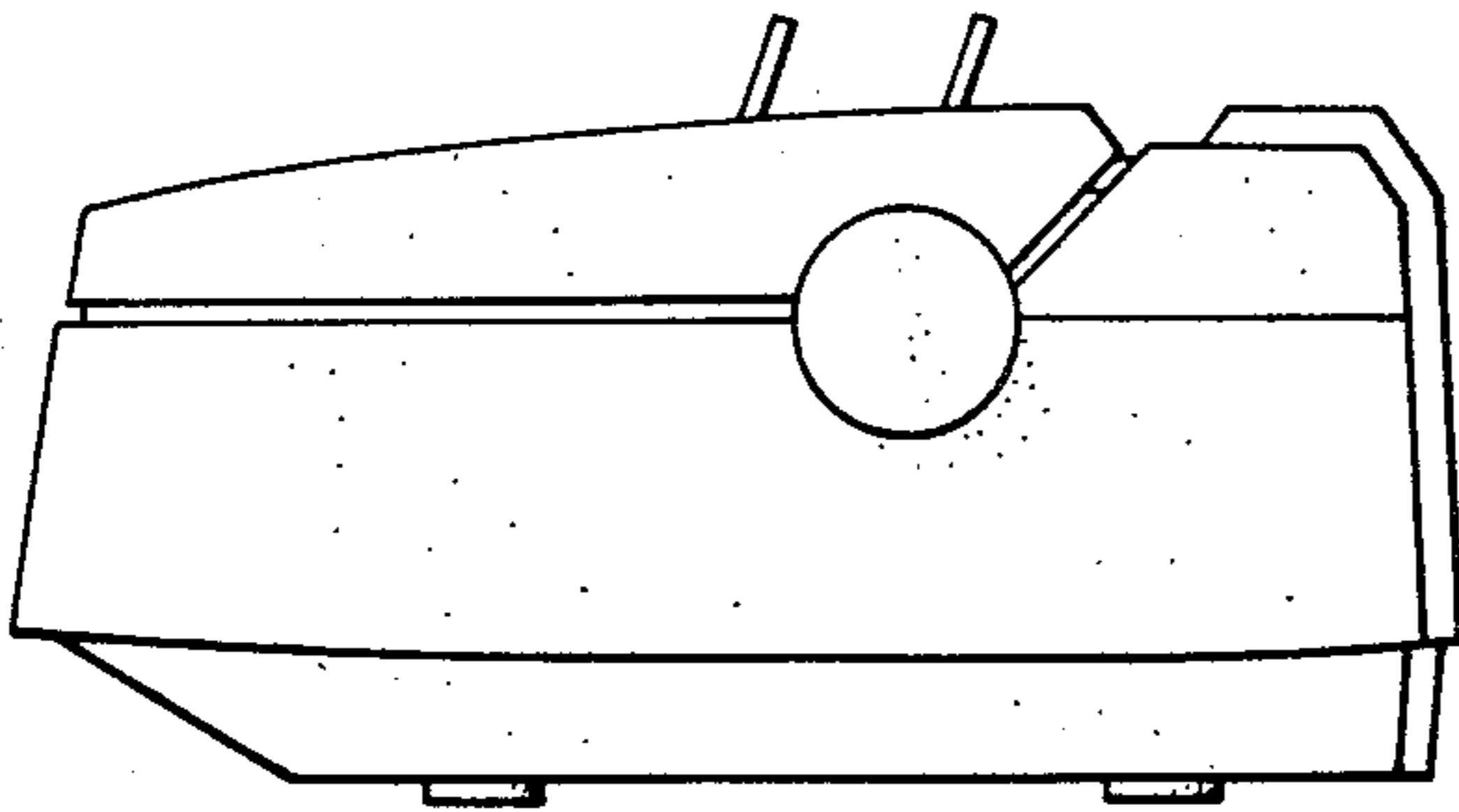


FIG. 5

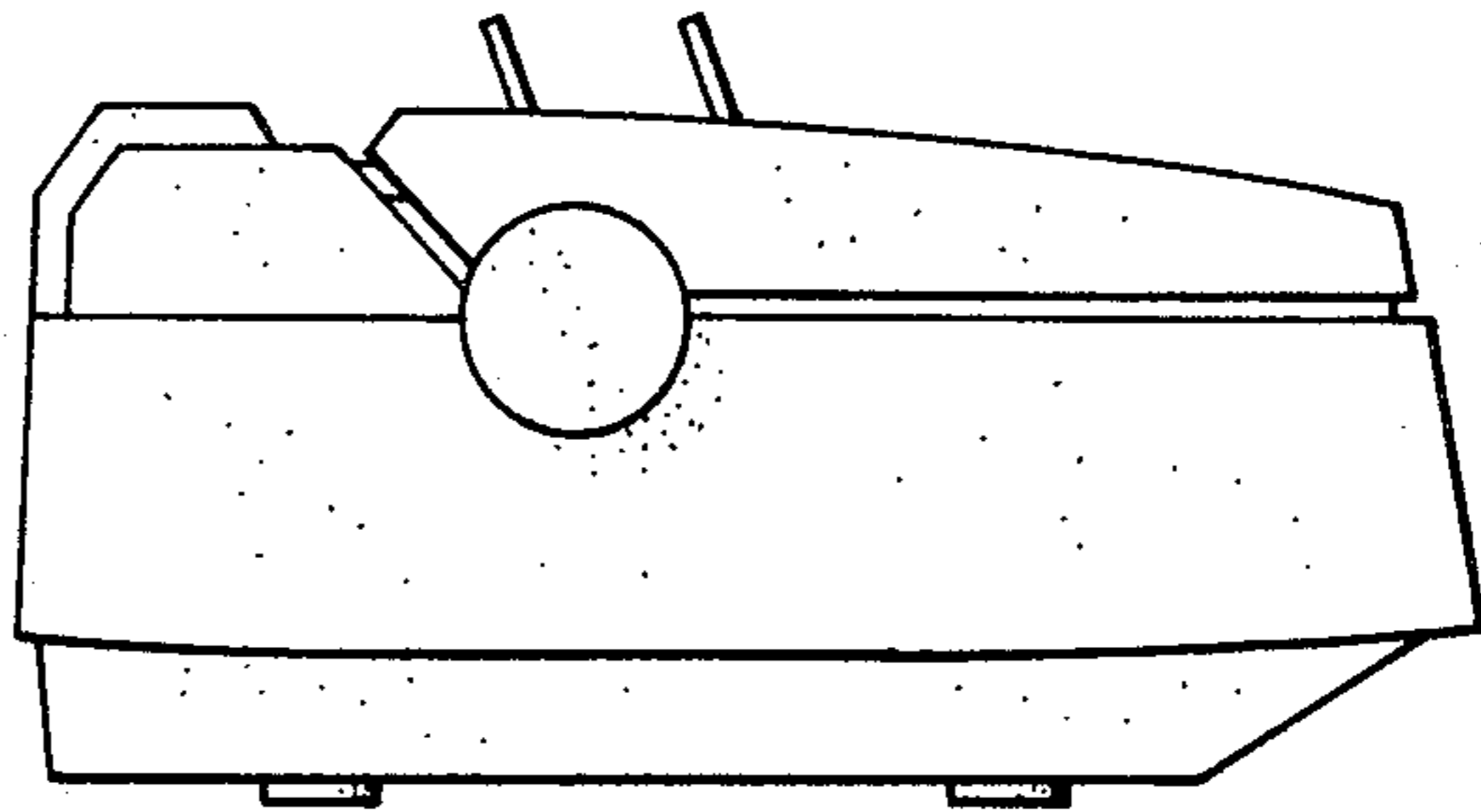


FIG. 6

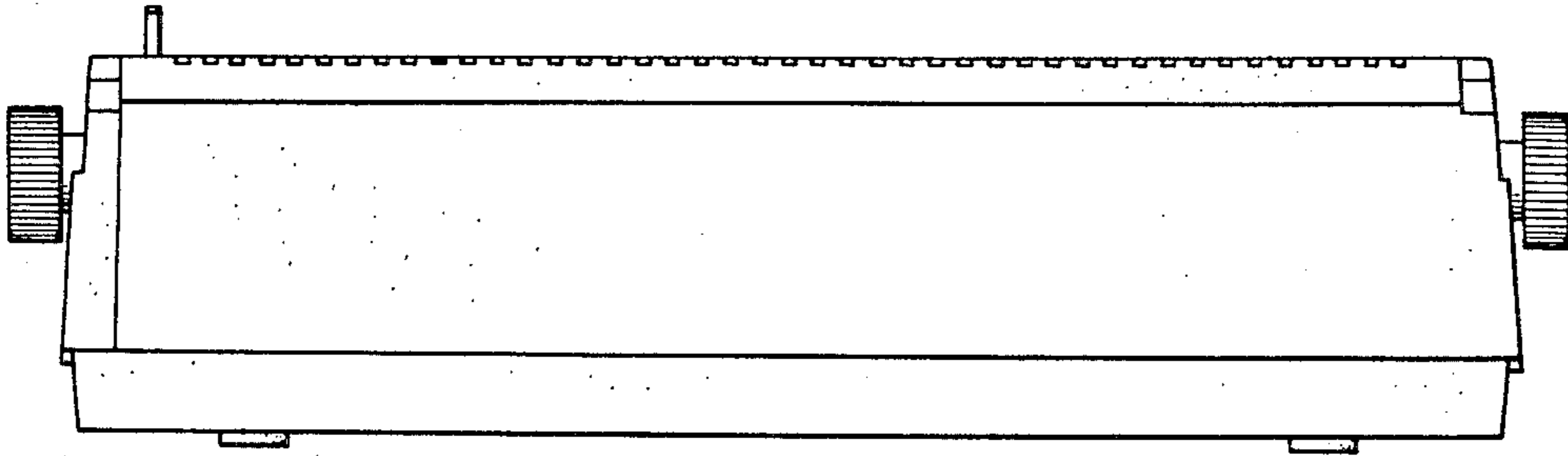


FIG. 7

