

[54] RADIO

[75] Inventor: Paul F. Siegel, Ridgefield, Conn.

[73] Assignee: Sun Hill Industries, Inc., Stamford, Conn.

[**] Term: 14 Years

[21] Appl. No.: 656,099

[22] Filed: Sep. 28, 1984

[52] U.S. Cl. D14/70; D14/68

[58] Field of Search D14/68, 69, 70, 71, D14/72, 73, 74, 75, 76; 455/344, 345, 346, 347, 350, 351

[56] References Cited

U.S. PATENT DOCUMENTS

D. 176,481	12/1955	Petertil	D14/68
D. 216,374	12/1969	Yran	D14/72
D. 219,622	12/1970	Culbertson	D14/68
D. 228,576	10/1973	Chan	D14/68
D. 275,752	10/1984	Mahan	D14/68 X
D. 277,098	1/1985	Mark	D14/68

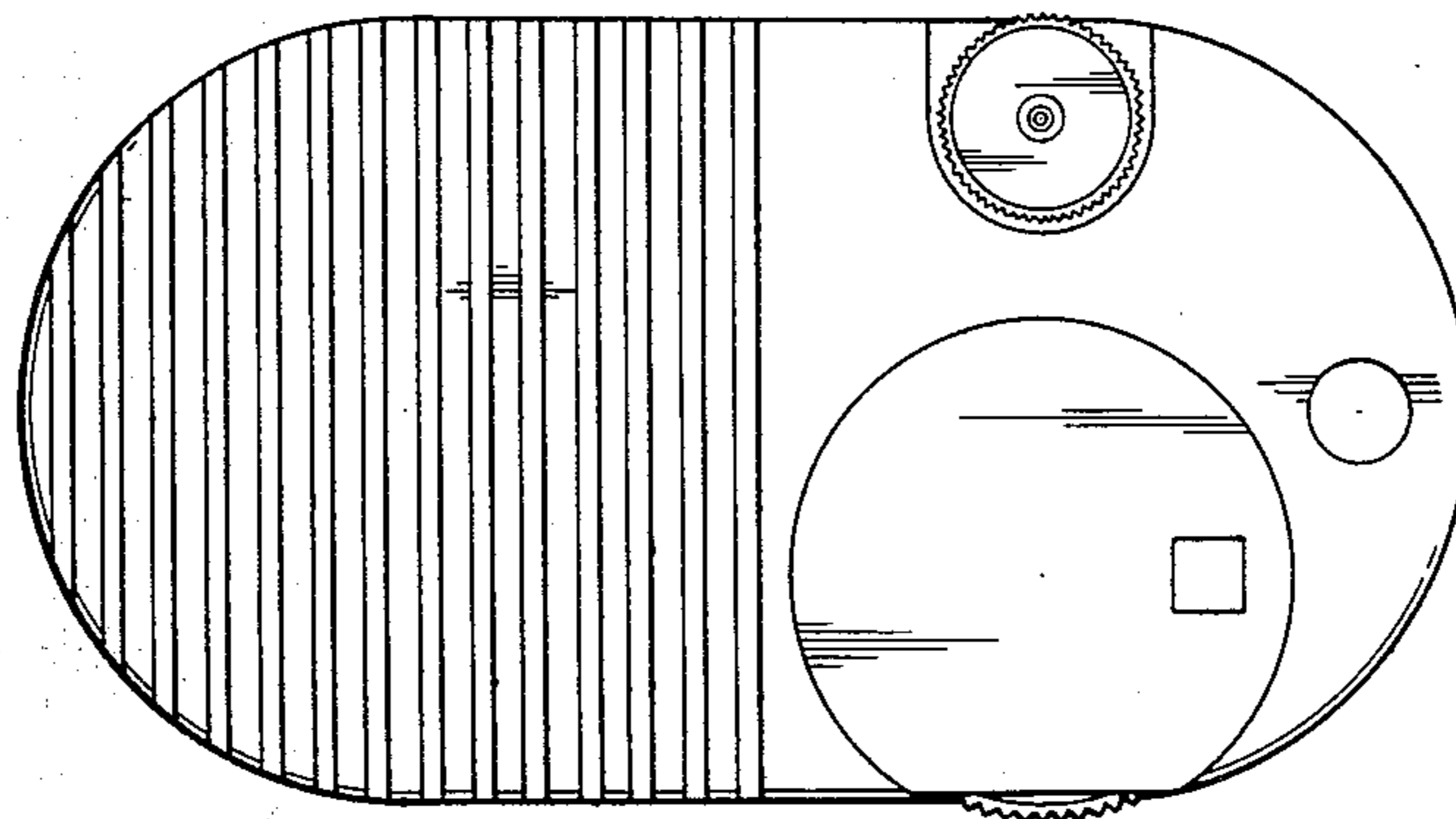
Primary Examiner—Bernard Ansher
Assistant Examiner—Theodore M. Shooman
Attorney, Agent, or Firm—Frishauf, Holtz, Goodman & Woodward

[57] CLAIM

The ornamental design for a radio, as shown and described.

DESCRIPTION

FIG. 1 is a top plan view of a radio showing my new design;
FIG. 2 is a bottom plan view thereof;
FIG. 3 is a right side elevational view thereof;
FIG. 4 is a left side elevational view thereof;
FIG. 5 is a top and front perspective view thereof;
FIG. 6 is a top and rear perspective view thereof;
FIG. 7 is a bottom and front perspective view thereof;
FIG. 8 is a bottom and rear perspective view thereof;
FIG. 9 is a top and right side perspective view thereof;
and
FIG. 10 is a top and left side perspective view thereof.



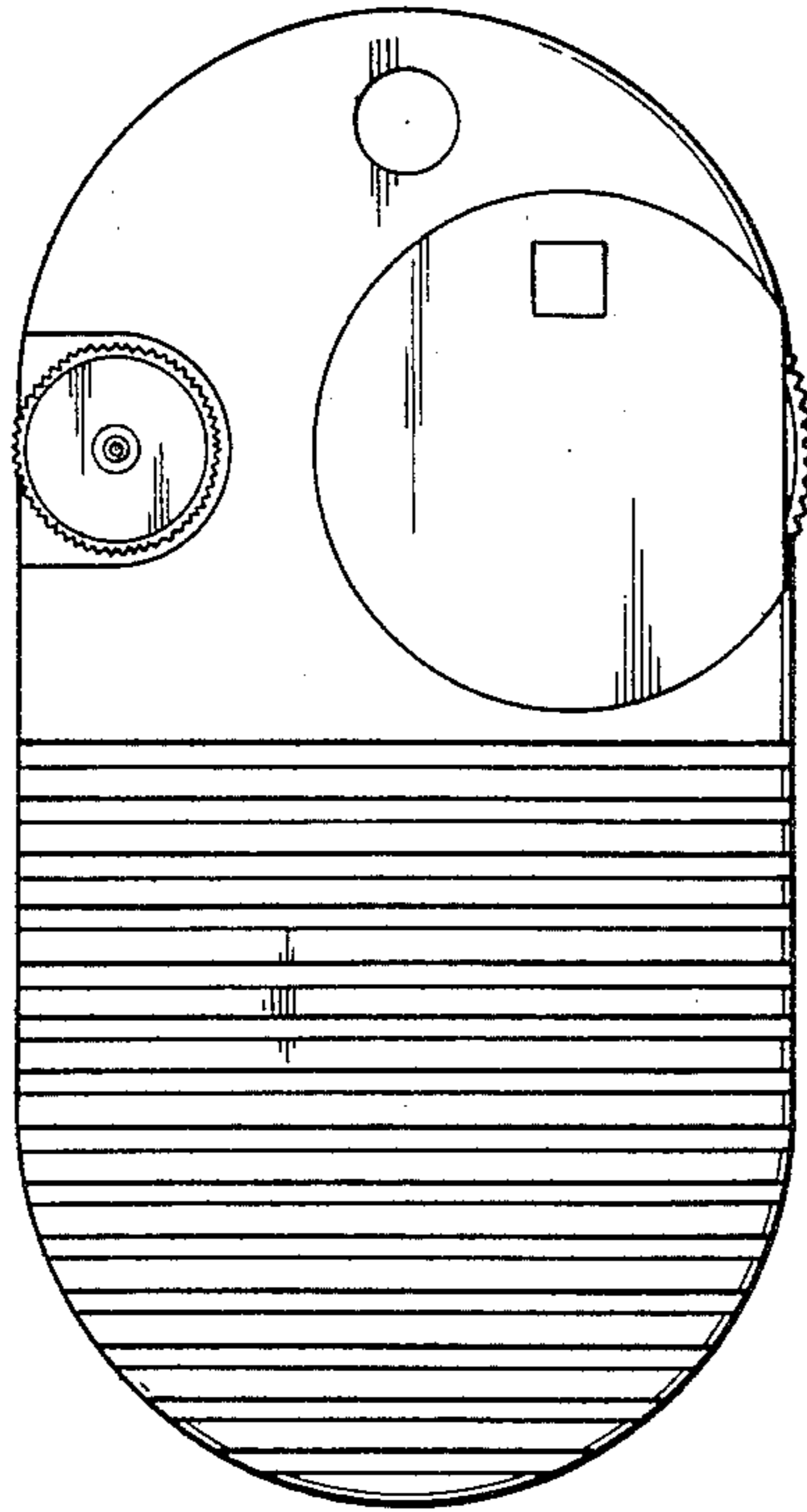


FIG. 1

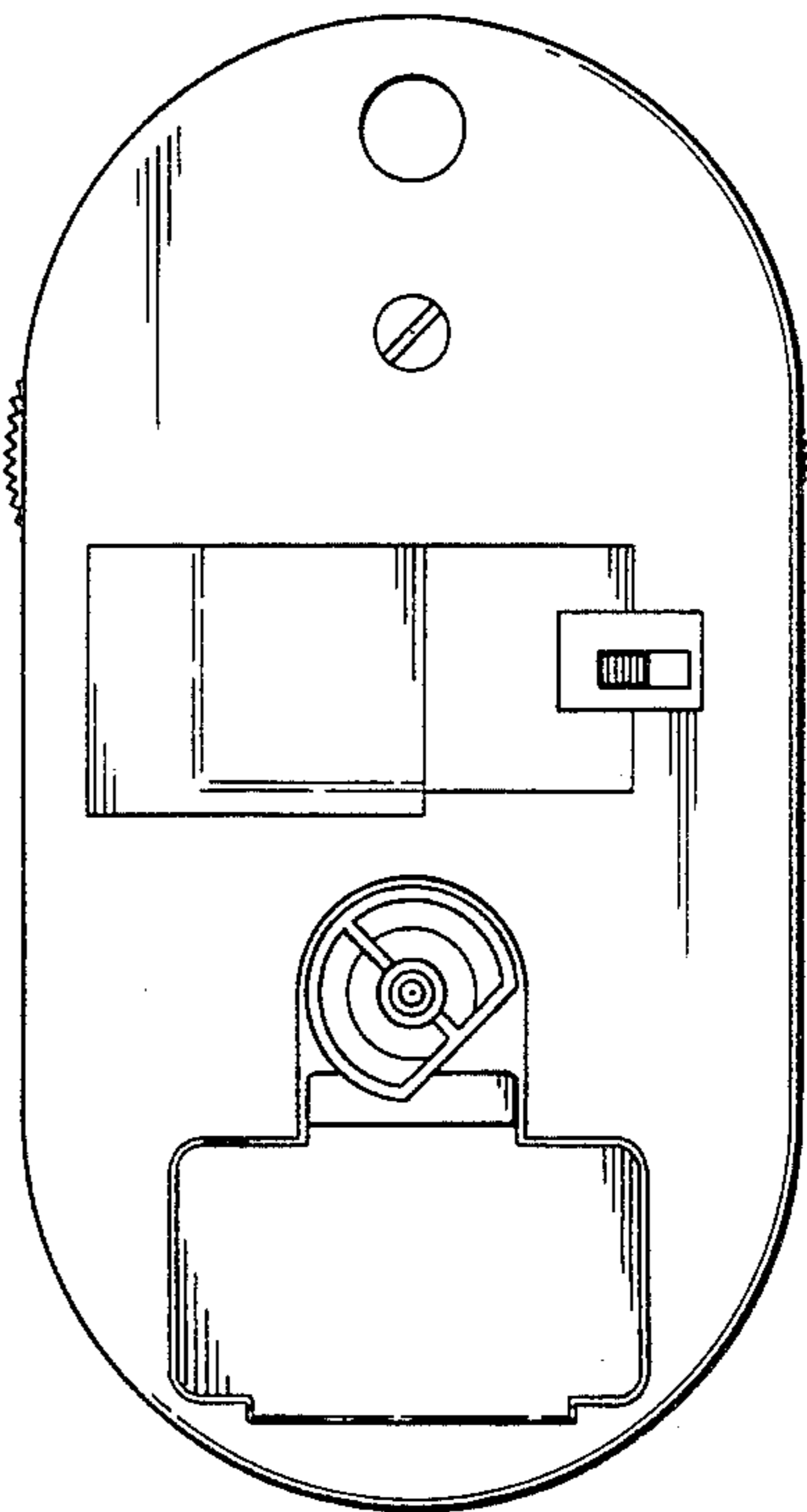


FIG. 2

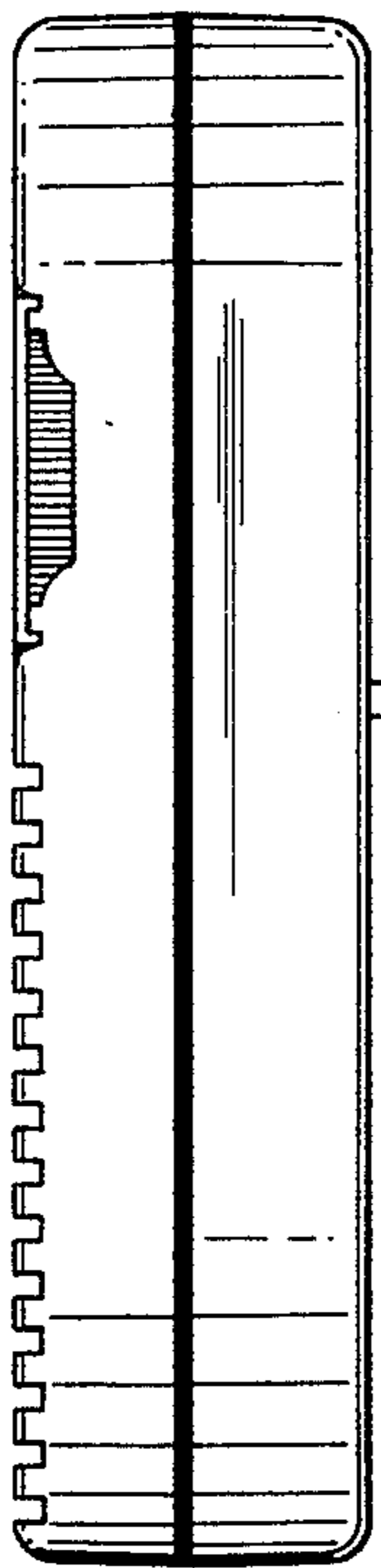


FIG. 3

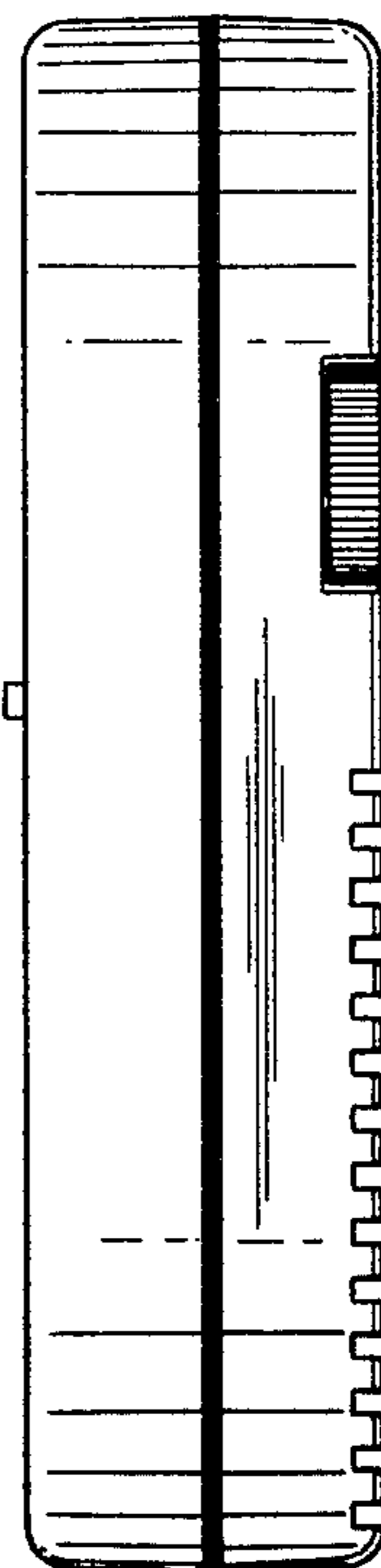


FIG. 4

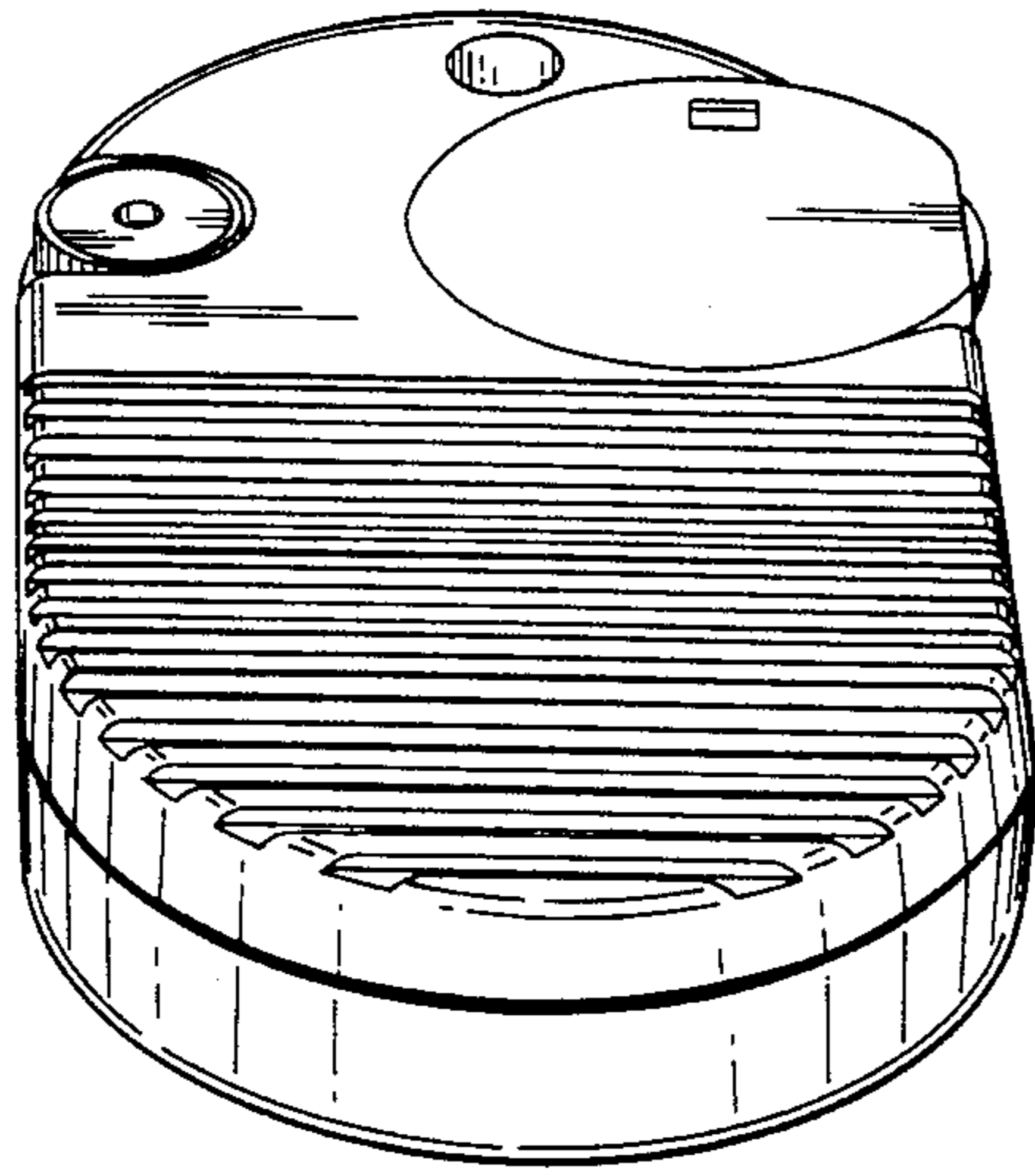


FIG. 5

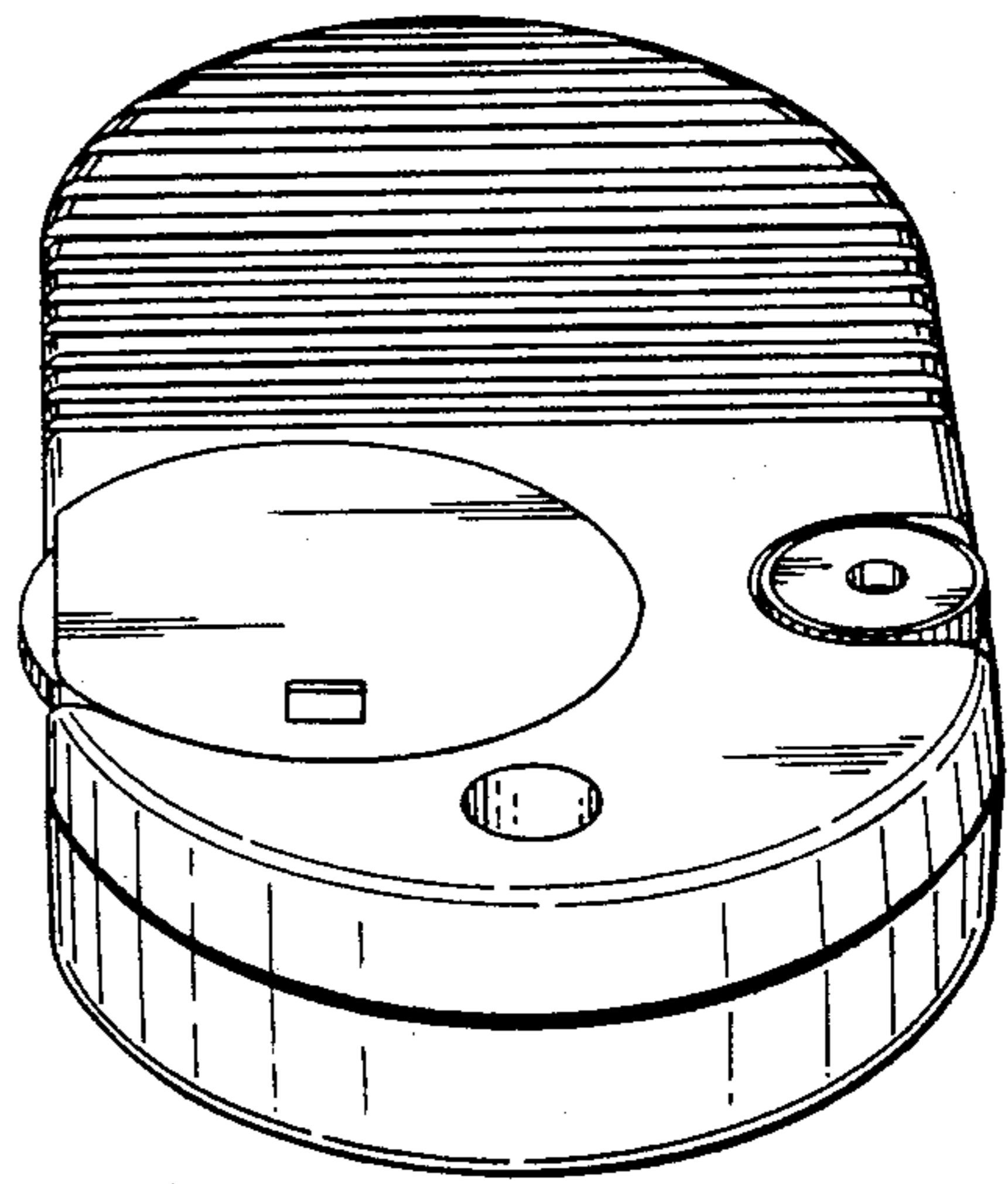


FIG. 6

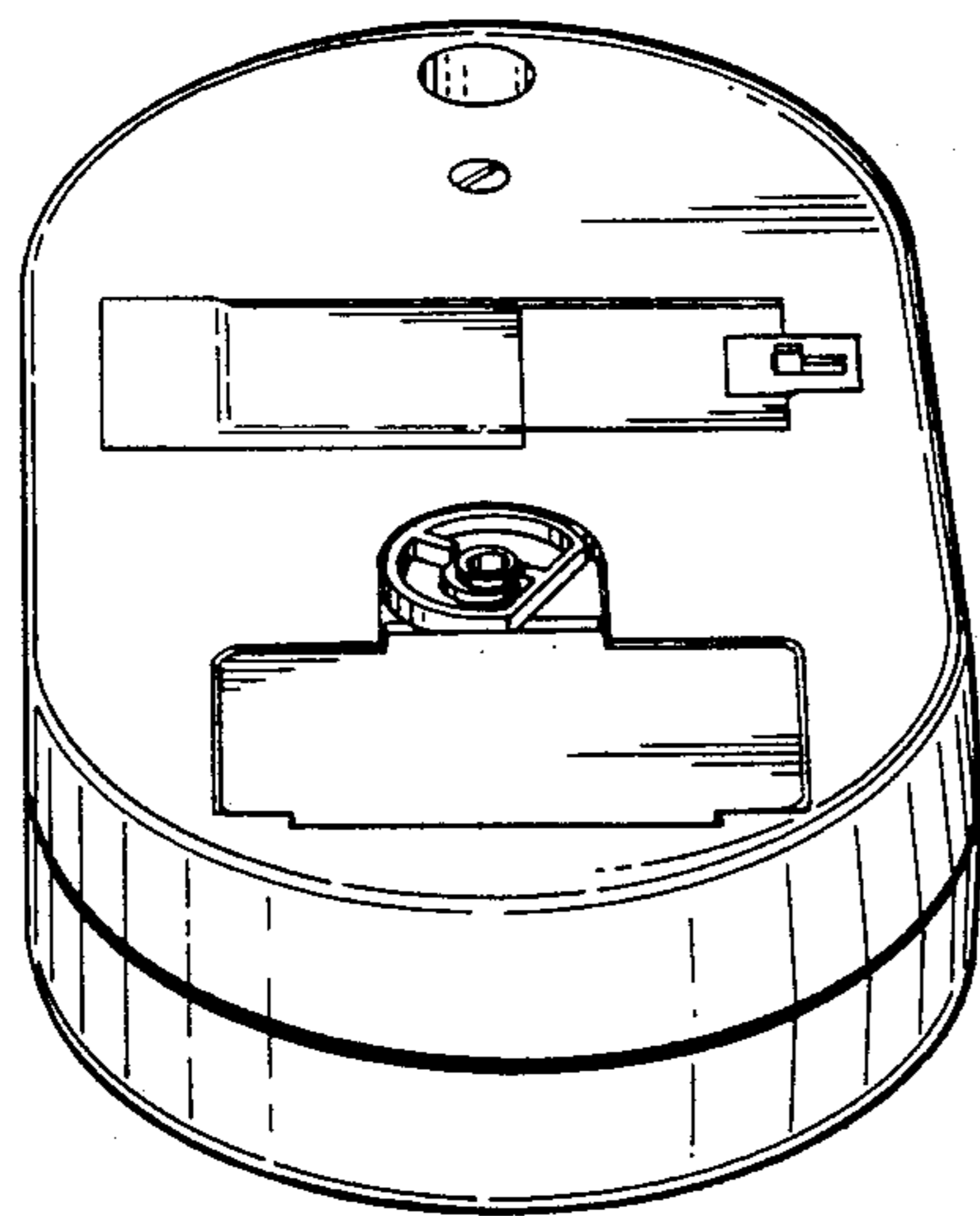


FIG. 7

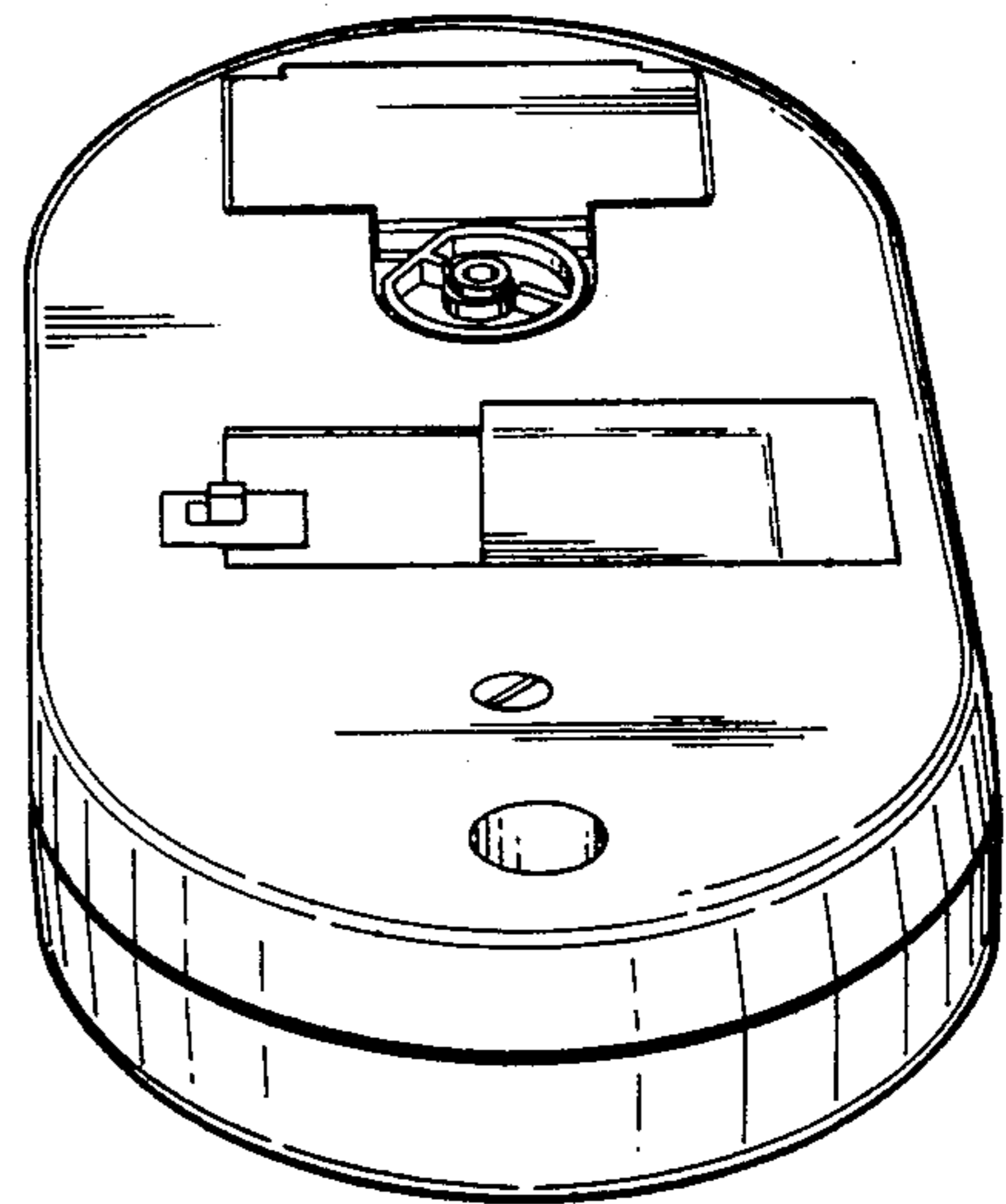


FIG. 8

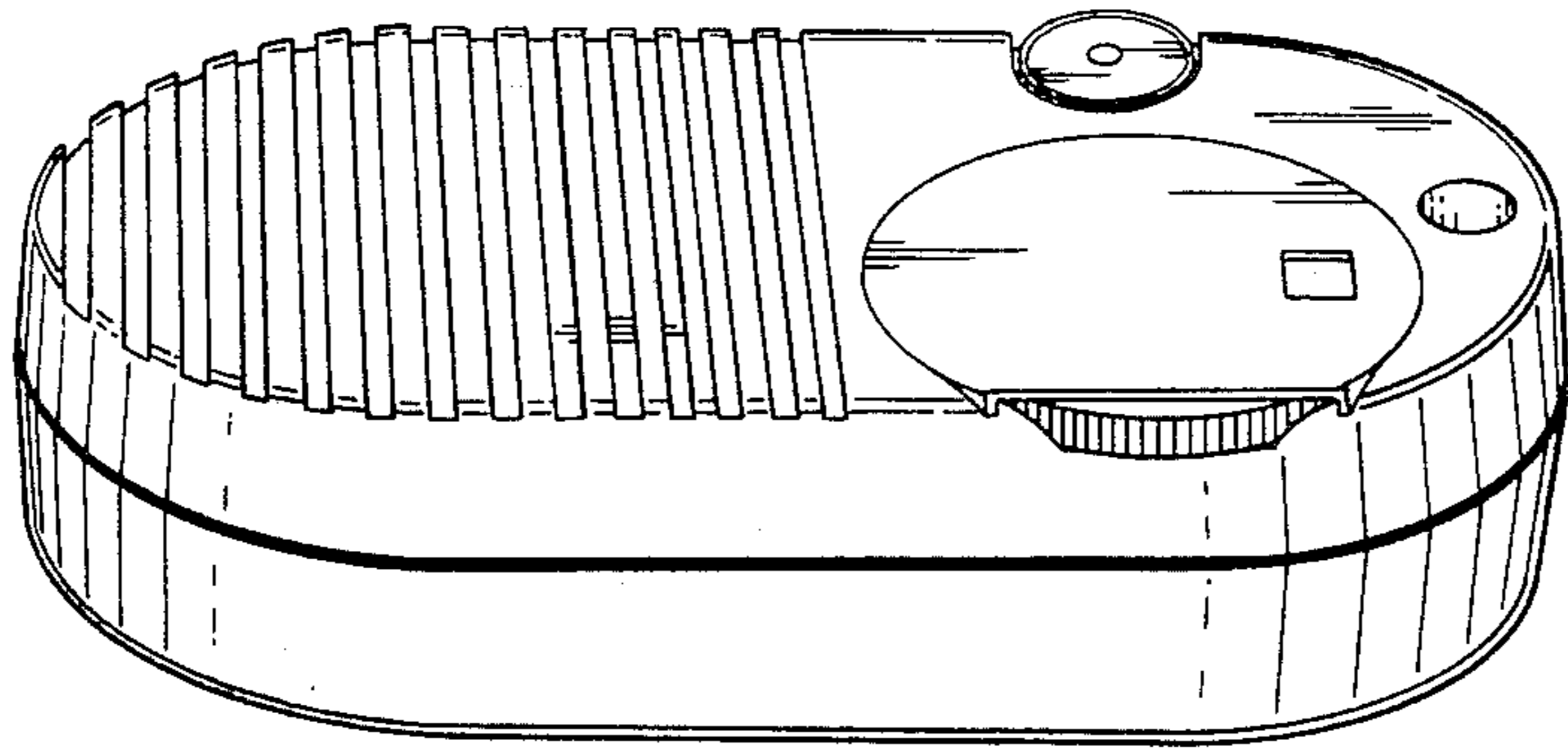


FIG. 9

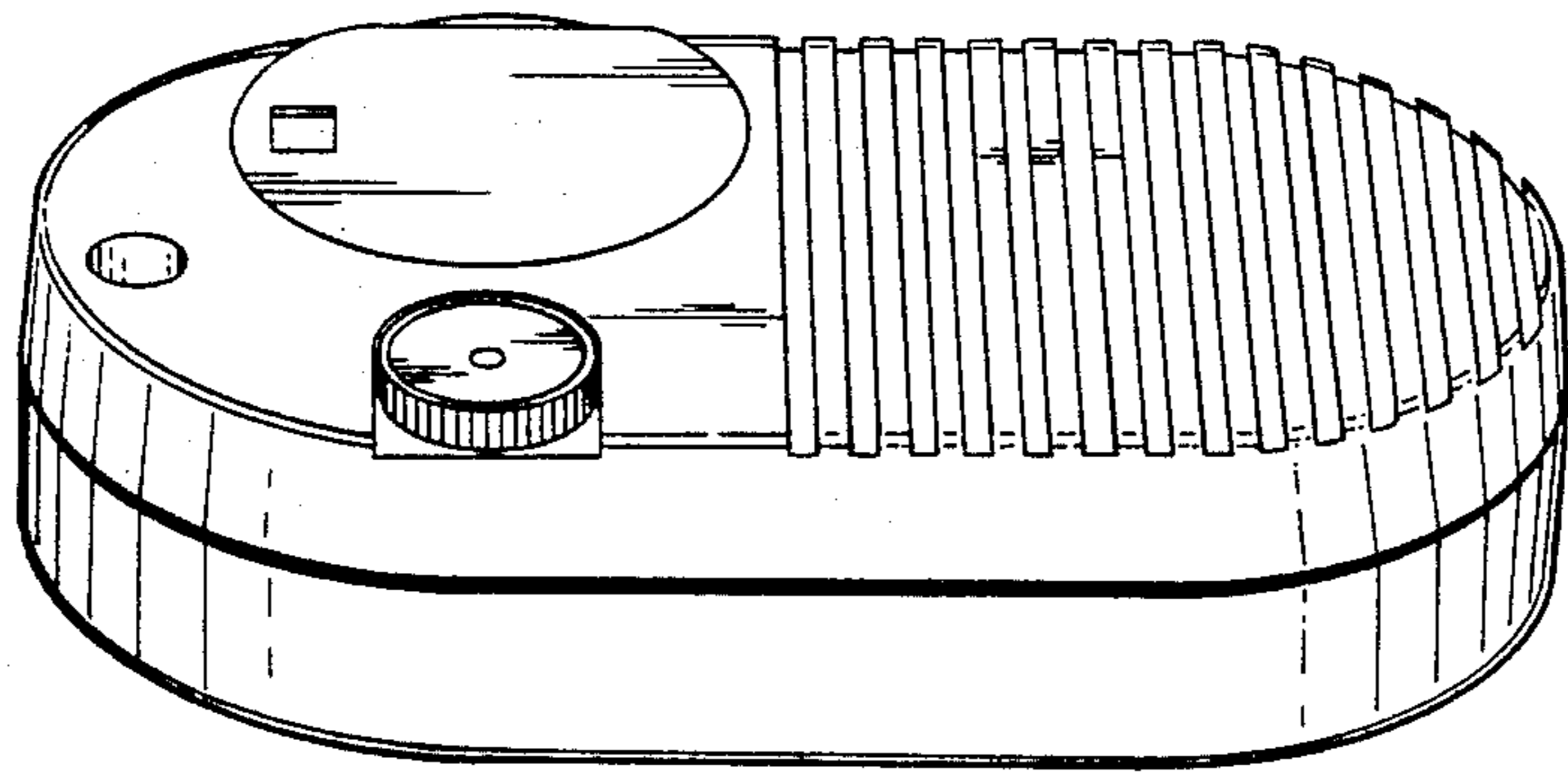


FIG. 10