

[54] TELEPHONE SET

[75] Inventor: Eric J. Marshall, London, England

[73] Assignee: The Marshall Telephone Corporation Limited, Kent, England

[\*\*] Term: 14 Years

[21] Appl. No.: 585,865

[22] Filed: Mar. 2, 1984

[52] U.S. Cl. .... D14/53; D14/62; D14/63; D14/58

[58] Field of Search ..... D14/53, 56, 57, 58, D14/60, 62, 63, 64; 179/179, 100 R, 100 D, 100 C, 100 L, 101, 102, 103

[56] References Cited

U.S. PATENT DOCUMENTS

- D. 229,193 11/1973 Ishikawa et al. .... D14/53
- D. 259,043 4/1981 Feinberg et al. .... D14/53
- D. 265,401 7/1982 Genaro et al. .... D14/53 X
- D. 270,155 8/1983 Shimizu ..... D14/53
- D. 271,487 11/1983 Breger ..... D14/53
- D. 275,568 9/1984 Marshall ..... D14/63 X
- D. 276,723 12/1984 Marshall ..... D14/53 X

- D. 277,573 2/1985 McGarvey et al. .... D14/63 X
- D. 277,929 3/1985 Sakamoto et al. .... D14/53 X
- D. 279,894 7/1985 Marshall ..... D14/53

OTHER PUBLICATIONS

Telephony 10-25-76; pp. 94, 95; showing of Sunday Key Systems.

Primary Examiner—Wallace R. Burke  
Assistant Examiner—Horace B. Fay  
Attorney, Agent, or Firm—Cushman, Darby & Cushman

[57] CLAIM

The ornamental design for a telephone set, as shown and described.

DESCRIPTION

FIG. 1 is a front end, top and right side perspective view of a telephone set showing my new design; FIG. 2 is a rear end, bottom view of the stand and handset, and left side of handset view in perspective; FIG. 3 is a right side elevational view thereof; and FIG. 4 is a front end, left side, and bottom (underneath) side of the handset shown in perspective, and a front end, top and right side view in perspective of the stand spaced apart from the handset.

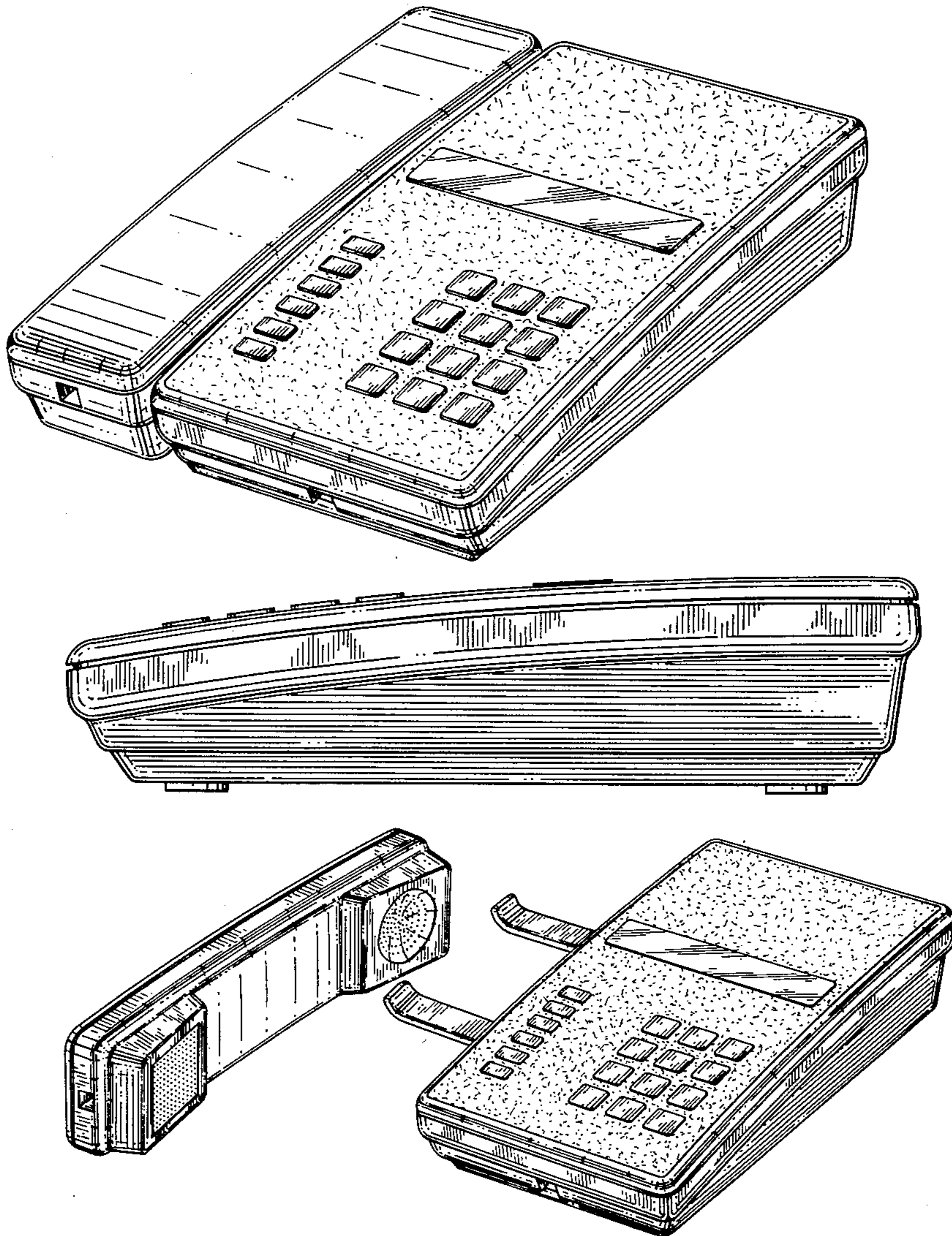


FIG. 1.

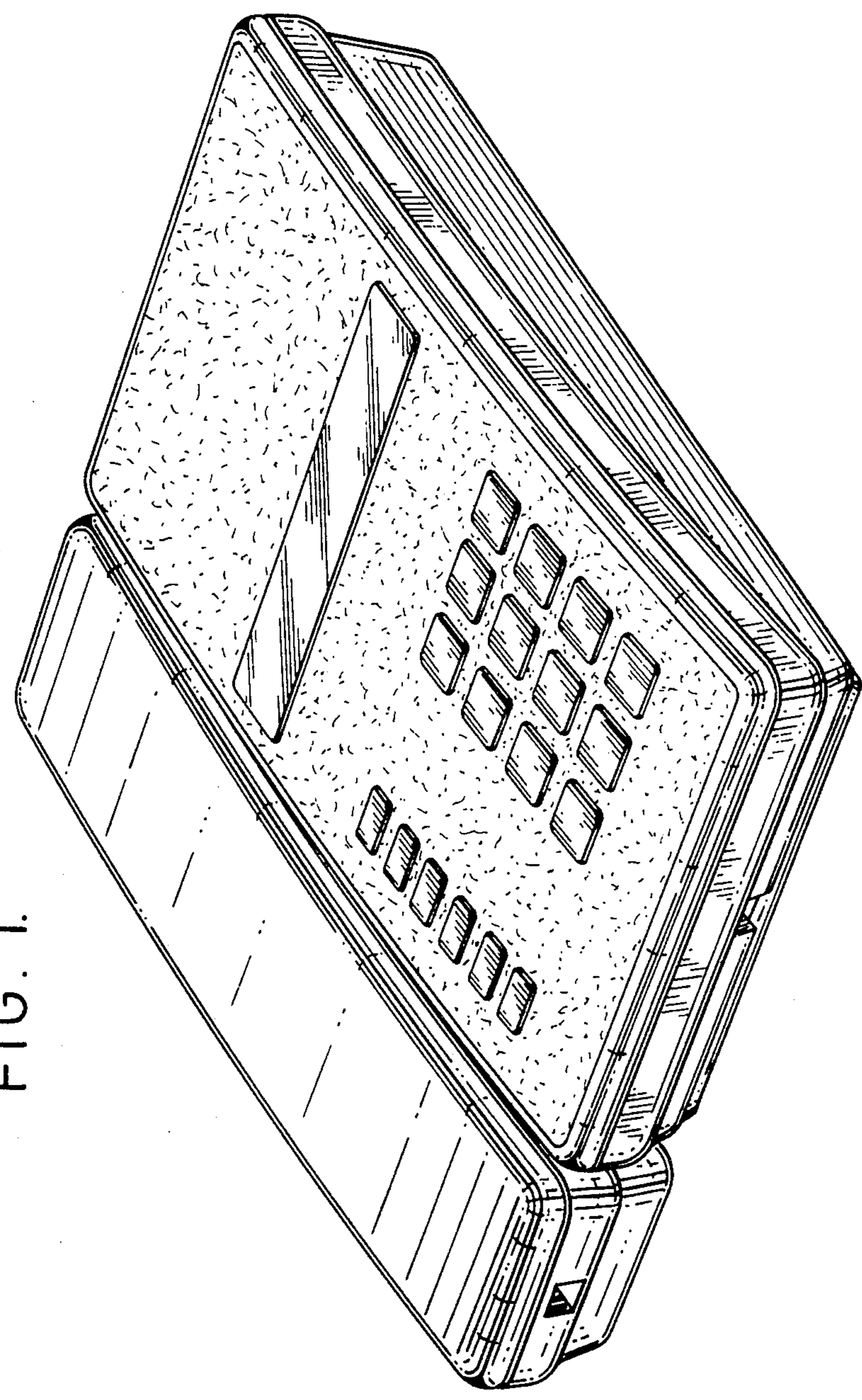


FIG. 2.

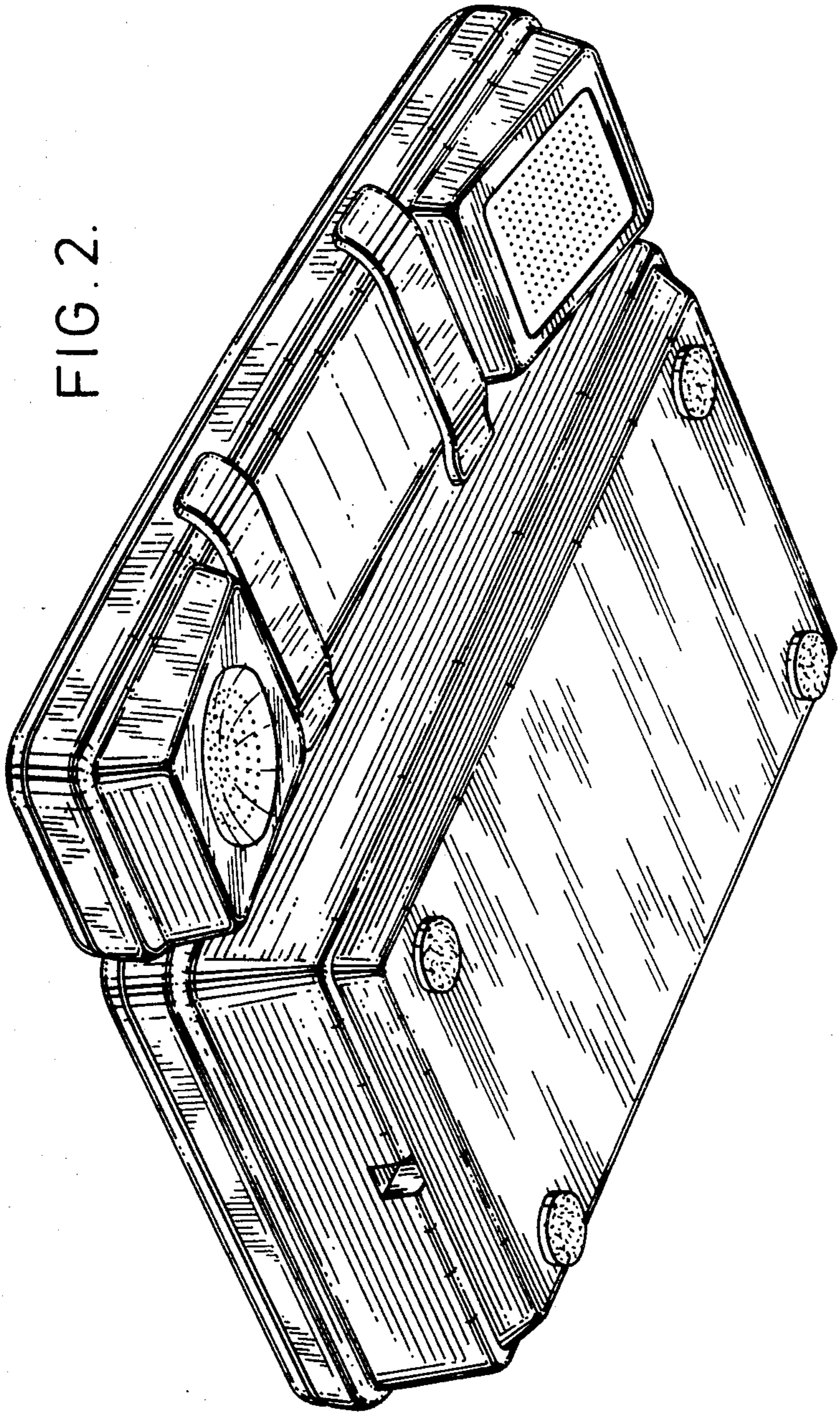


FIG. 3.

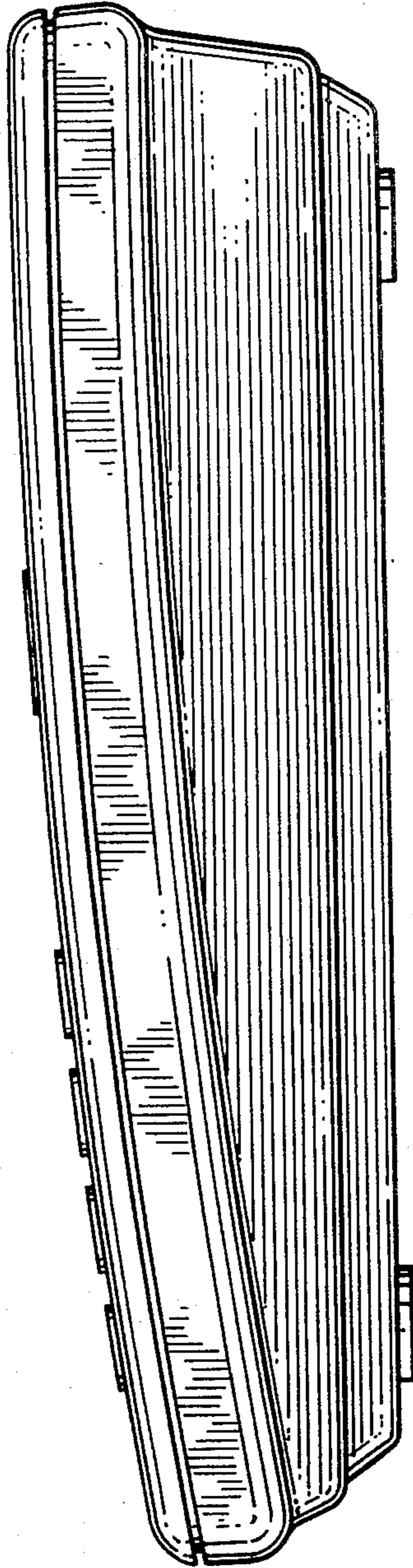


FIG. 4.

