

[54] MODULAR POWER SUPPLY HOUSING

[75] Inventors: Leroy B. Keely, Portola Valley; Diab E. Freige, Los Altos; Michael J. Nuttall, Palo Alto, all of Calif.

[73] Assignee: Convergent Technologies, Inc., San Jose, Calif.

[**] Term: 14 Years

[21] Appl. No.: 608,065

[22] Filed: May 8, 1984

[52] U.S. Cl. D13/11

[58] Field of Search D13/11-13, D13/40-41, 35, 99; D14/114; D10/46, 49, 75, 80, 96, 100-101, 103; 174/50, 65 R; 219/10.55 R, 10.55 B, 10.75; 361/189-190, 392-394, 333-334, 347, 356-357; 332/16 R, 10, 17, 22; 220/4 A, 4 R, 76; 429/151-154, 163, 178

[56] References Cited

U.S. PATENT DOCUMENTS

- D. 212,096 8/1968 Ettinger et al. D13/11
- D. 246,709 12/1977 Pomper D13/11

- D. 275,752 10/1984 Mahan D13/38
- 3,054,024 9/1962 Dillen et al. 174/52 R
- 3,671,812 6/1972 Peluso et al. 361/392

FOREIGN PATENT DOCUMENTS

1065044 9/1959 Fed. Rep. of Germany 429/151

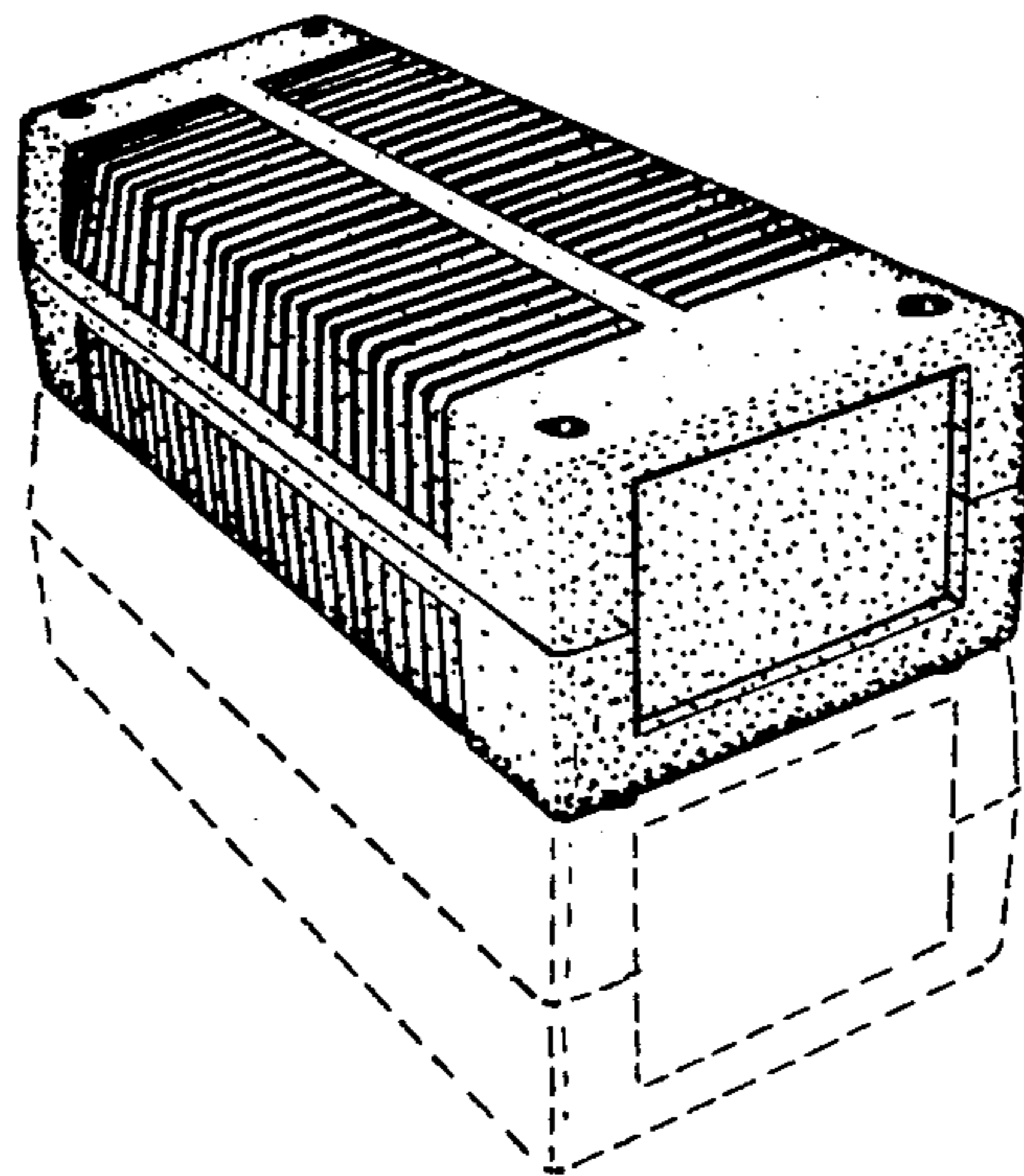
Primary Examiner—Wallace R. Burke
Assistant Examiner—Ruth E. Takemoto
Attorney, Agent, or Firm—Townsend and Townsend

[57] CLAIM

The ornamental design for a modular power supply housing, as shown and described.

DESCRIPTION

FIG. 1 is a perspective view of a modular power supply housing showing our new design; the broken lines are for illustrative purposes only and form no part of the claimed design;
FIG. 2 is a top plan view thereof;
FIG. 3 is a front elevational view thereof, the rear view being identical;
FIG. 4 is a right side elevational view thereof, the left view being identical; and
FIG. 5 is a bottom plan view thereof.



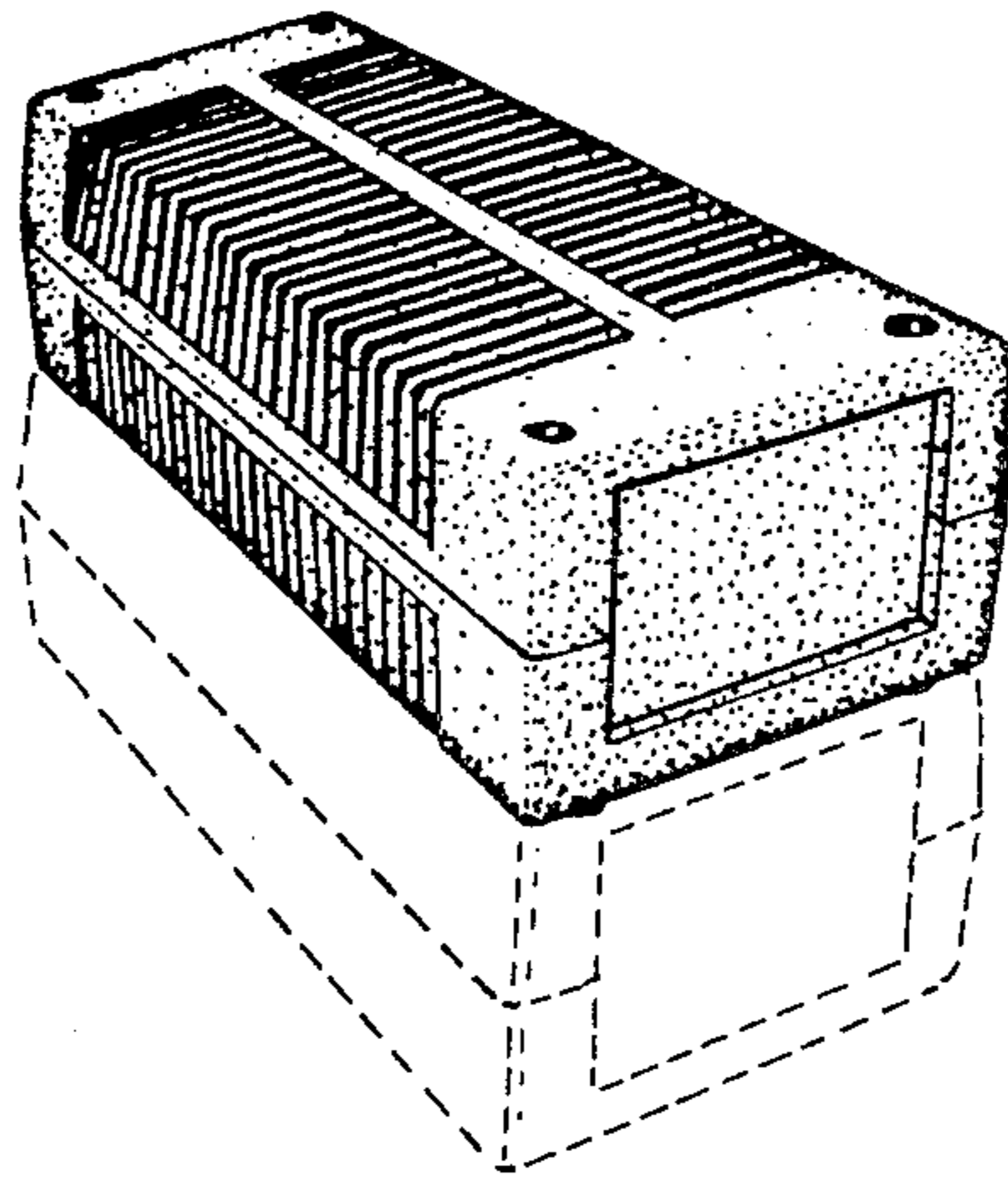


FIG. 1.

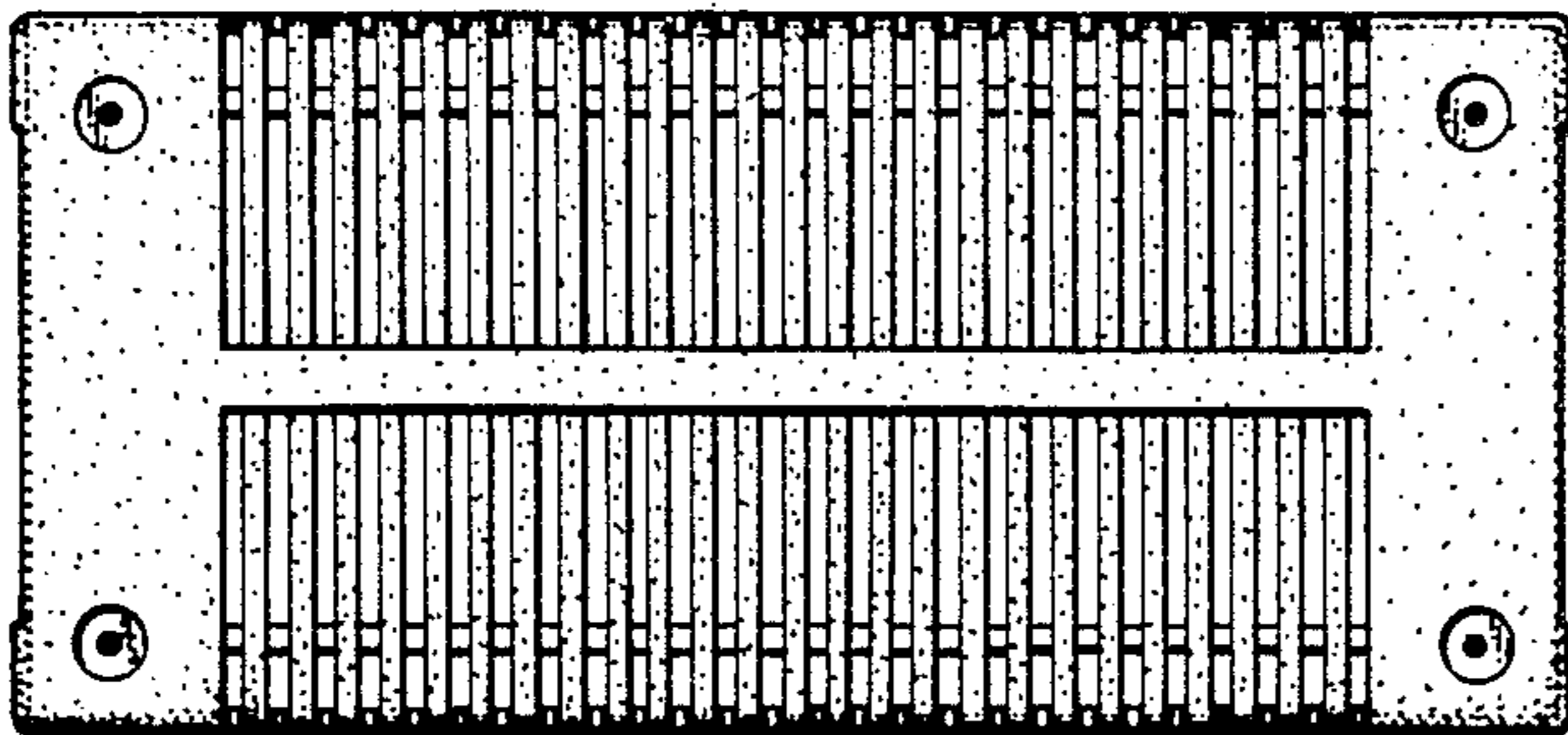


FIG. 2.

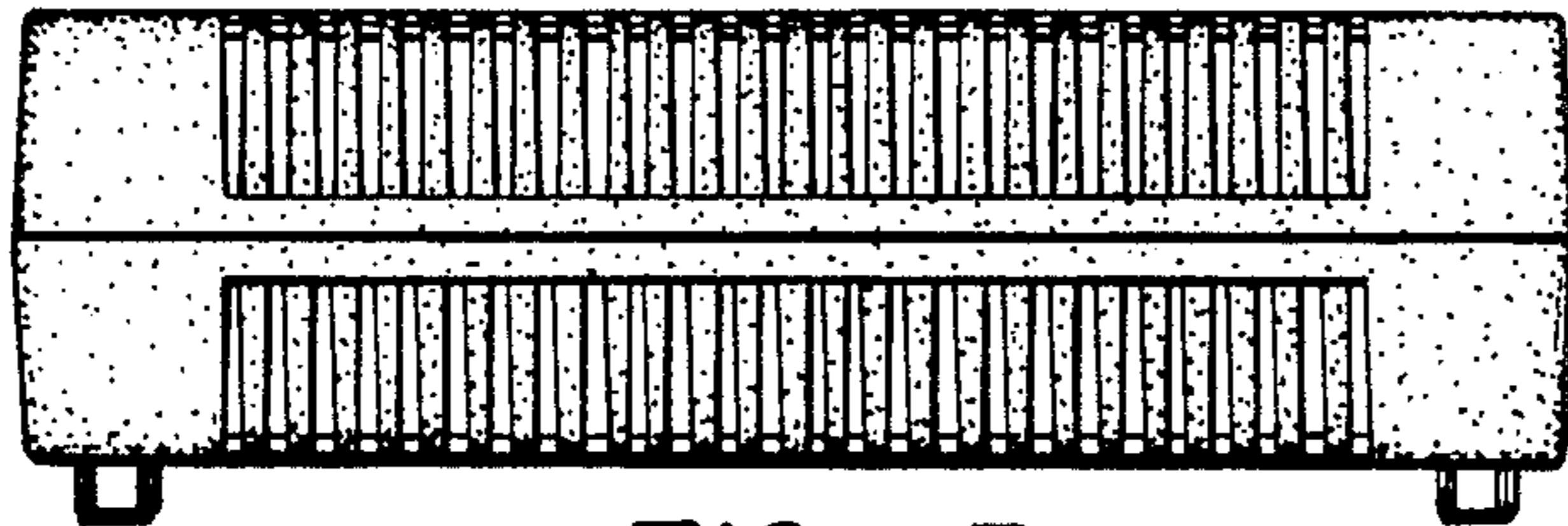


FIG. 3.

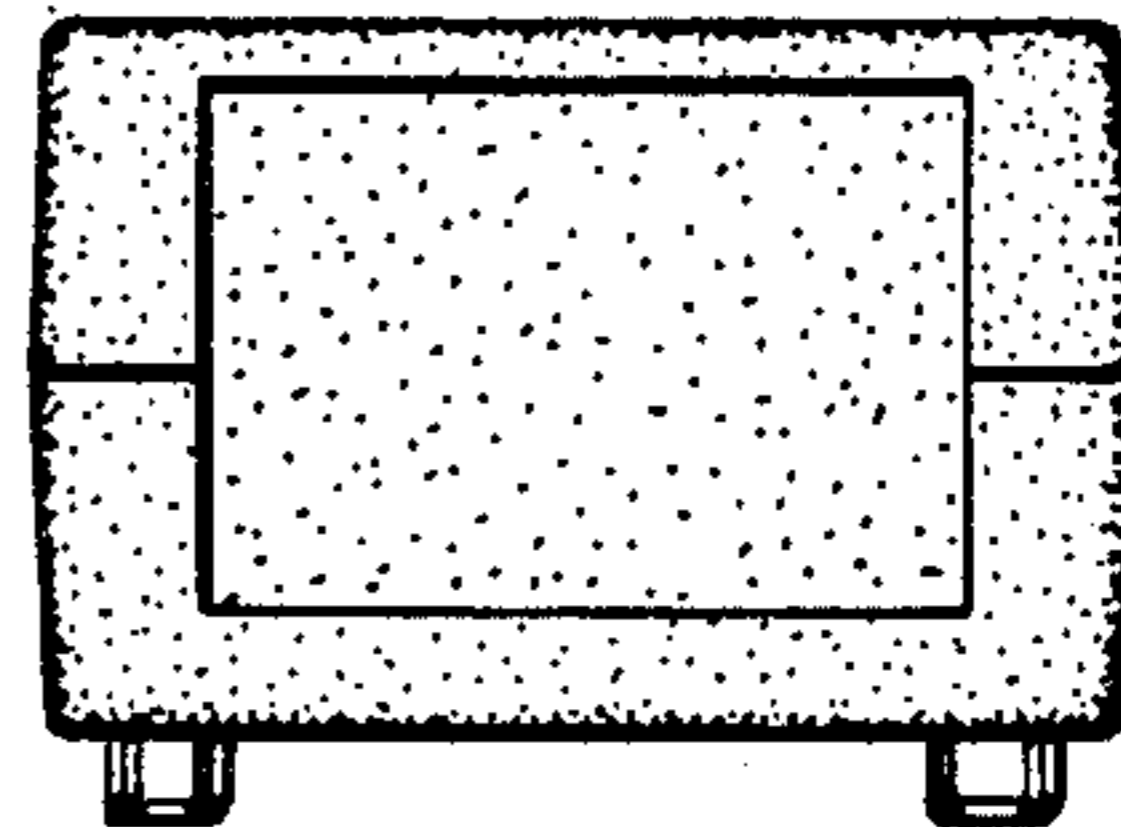


FIG. 4.

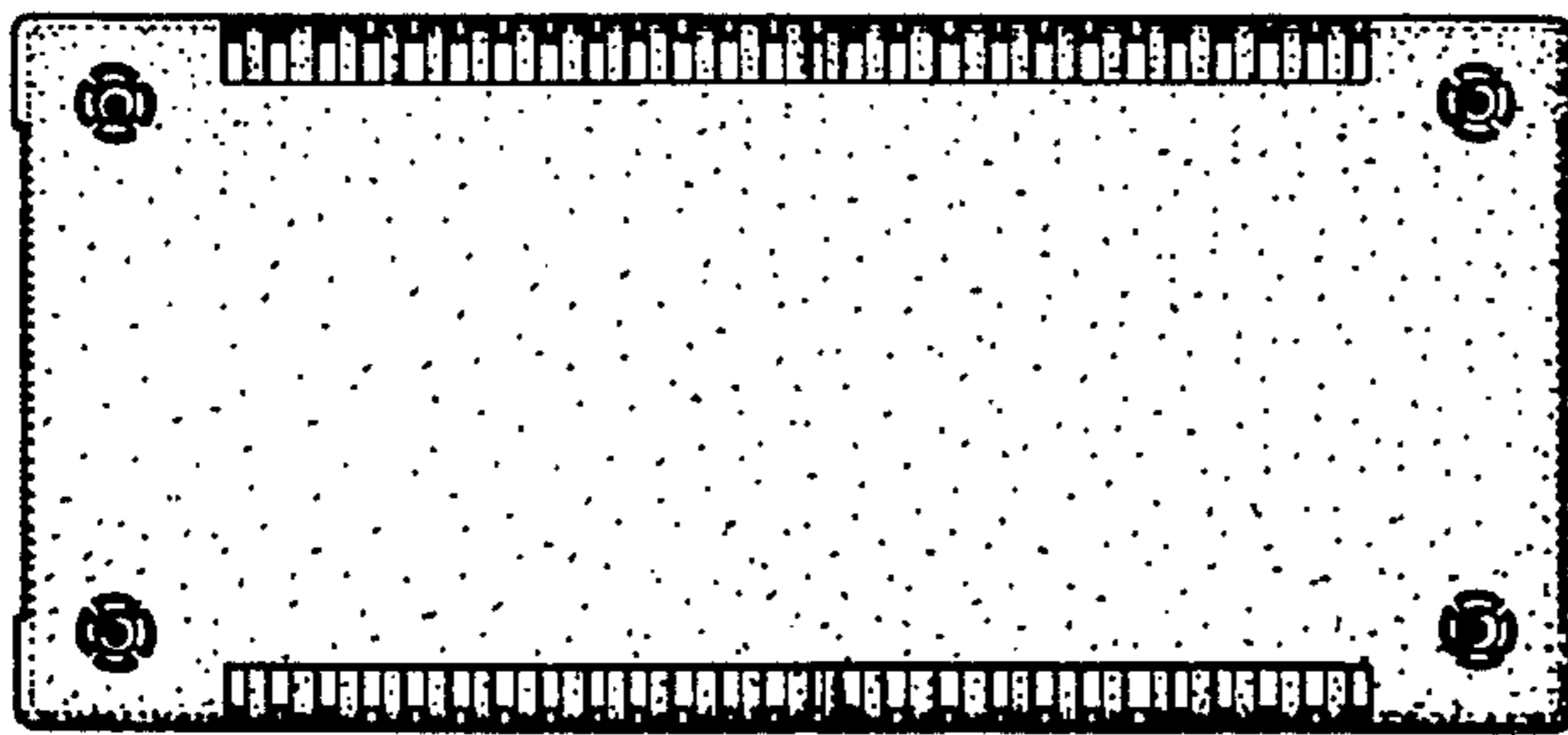


FIG. 5.