

# United States Patent [19]

Katoh et al.

[11] Patent Number: **Des. 287,843**

[45] Date of Patent: **\*\* Jan. 20, 1987**

## [54] RADIATOR GRILLE FOR AN AUTOMOBILE

[75] Inventors: **Mitsuo Katoh; Hiroki Amano**, both of Hachioji, Japan

[73] Assignee: **Toyota Jidosha Kabushiki Kaisha**, Toyota, Japan

[\*\*] Term: **14 Years**

[21] Appl. No.: **622,281**

[22] Filed: **Jun. 19, 1984**

[52] U.S. Cl. .... **D12/163**

[58] Field of Search ..... **D12/163; 180/68.6**

### [56] References Cited

#### FOREIGN PATENT DOCUMENTS

640635 9/1984 Japan .

### OTHER PUBLICATIONS

Hot Rod, 4/83, p. 11, Front Grille of Nissan Pickup Truck, bottom of page.

Motor Trend, 2/82, p. 85, Front Grille of Chevy S-10 Pickup Truck, top of page.

Ford Owner Preview brochure, p. 4, Front Grille of Escort GLX 4-Door Liftgate.

*Primary Examiner*—James M. Gandy

*Attorney, Agent, or Firm*—Cushman, Darby & Cushman

### [57] CLAIM

The ornamental design for a radiator grille for an automobile, as shown and described.

### DESCRIPTION

FIG. 1 is a front perspective view of a radiator grille for an automobile showing my new design;

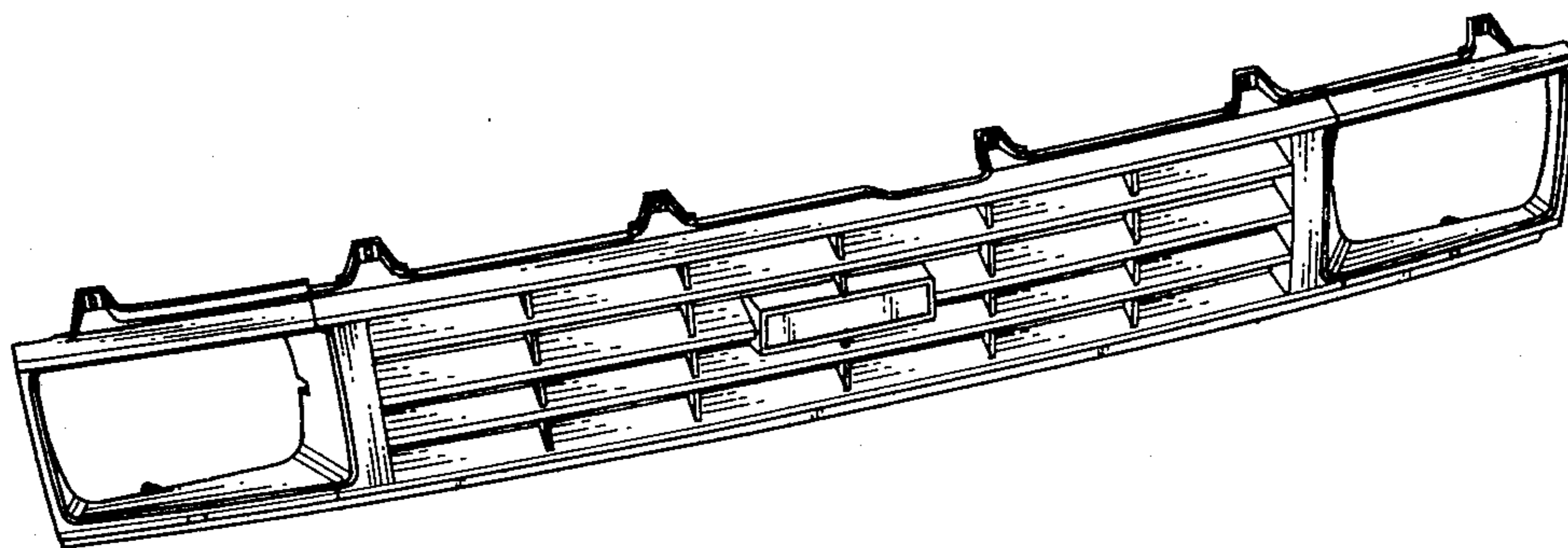
FIG. 2 is a front elevational view;

FIG. 3 is a rear elevational view;

FIG. 4 is a top plan view;

FIG. 5 is a bottom plan view;

FIG. 6 is a left side elevational view, the right side being a mirror image thereof.



*Fig. 1*

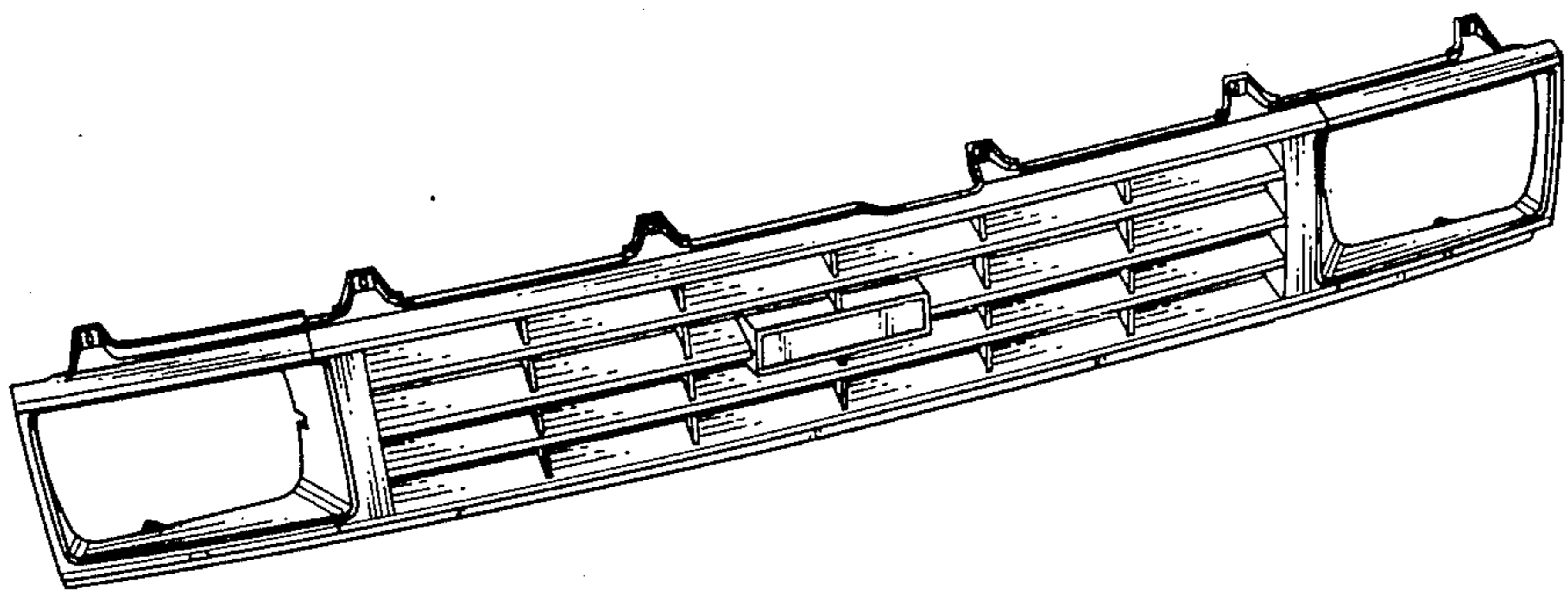


Fig. 2

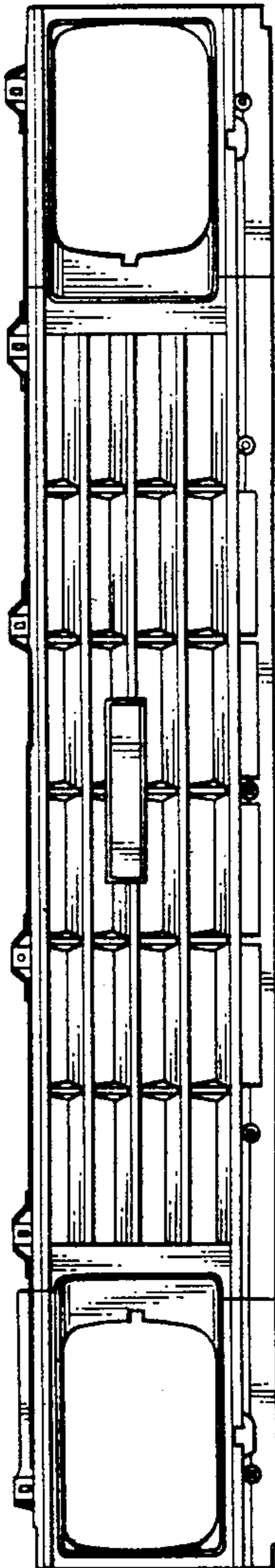


Fig. 3

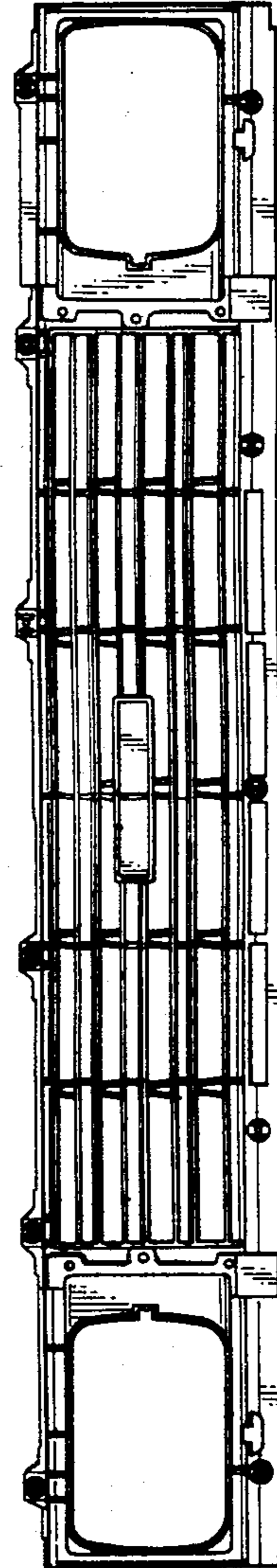


Fig. 4

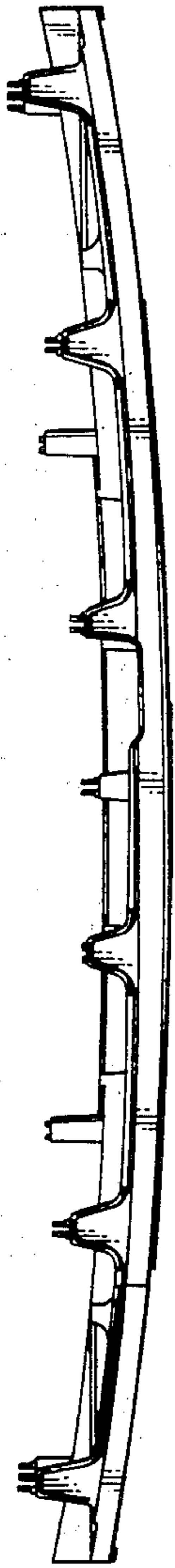


Fig. 5

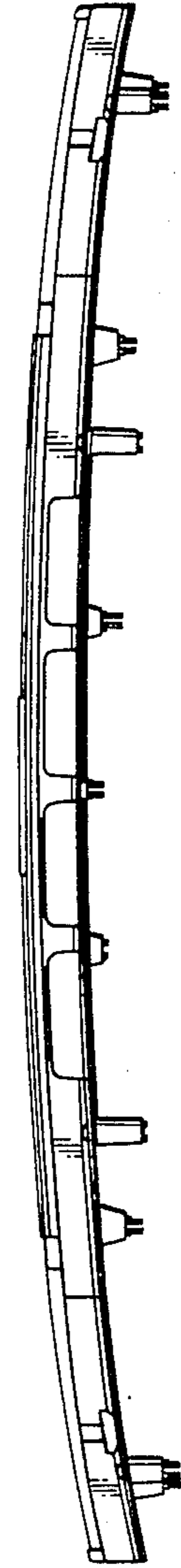


Fig. 6

