

[54] VEHICLE TIRE

[75] Inventor: Hisashi Shintomi, Izumi-Ohtsu, Japan

[73] Assignee: The Ohtsu Tire & Rubber Co., Ltd., Osaka, Japan

[\*\*] Term: 14 Years

[21] Appl. No.: 675,581

[22] Filed: Nov. 28, 1984

[30] Foreign Application Priority Data

Jun. 30, 1984 [JP] Japan ..... 59-27169

[52] U.S. Cl. .... D12/140; D12/147

[58] Field of Search ..... D12/145-151, D12/136, 140; 152/209 R, 209 D, 209 B

[56] References Cited

U.S. PATENT DOCUMENTS

D. 271,753 12/1983 Newton ..... D12/140

D. 283,996 5/1986 Kuramochi et al. .... D12/140

FOREIGN PATENT DOCUMENTS

486842 10/1953 Japan .

552783 5/1956 Japan .

Primary Examiner—James M. Gandy  
Attorney, Agent, or Firm—Armstrong, Nikaido,  
Marmelstein & Kubovcik

[57] CLAIM

The ornamental design for a vehicle tire, as shown and described.

DESCRIPTION

FIG. 1 is a perspective view of a vehicle tire showing my new design, it being understood that the tread pattern is repeated uniformly throughout the circumference of the tire;  
FIG. 2 is an end elevation view thereof; and  
FIG. 3 is a side elevation view thereof, the opposite side being a mirror image of that shown.

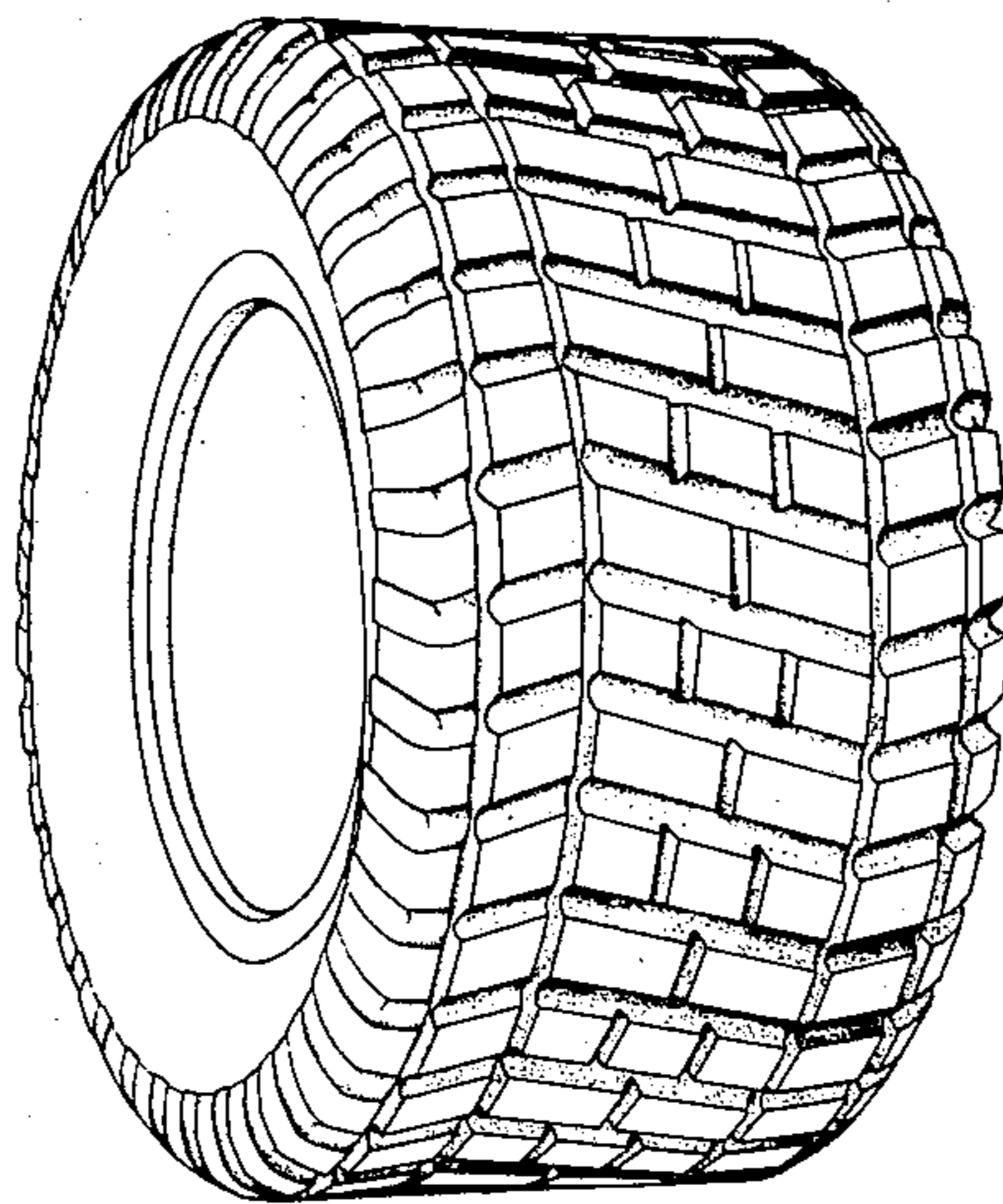


Fig.2

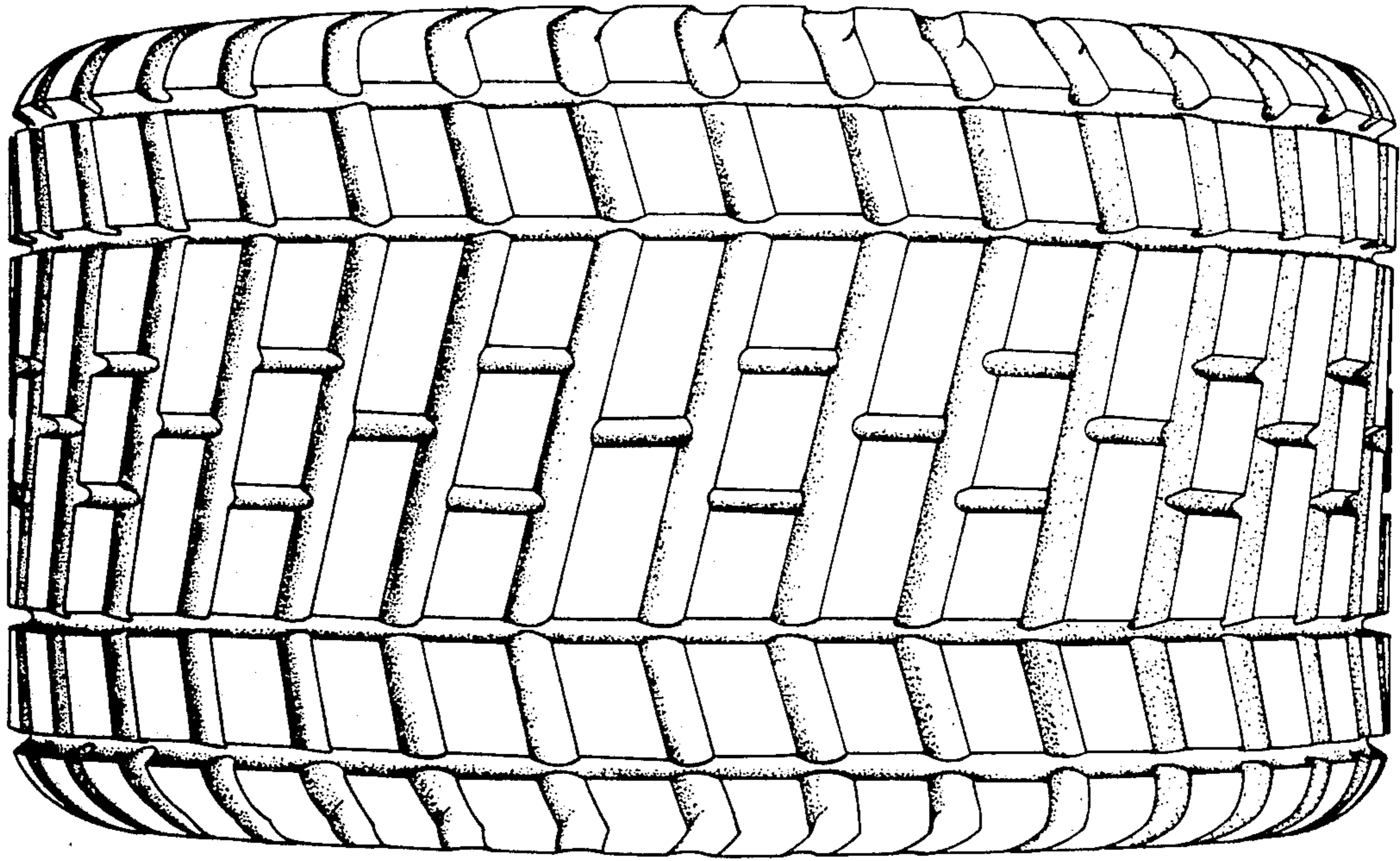


Fig.1

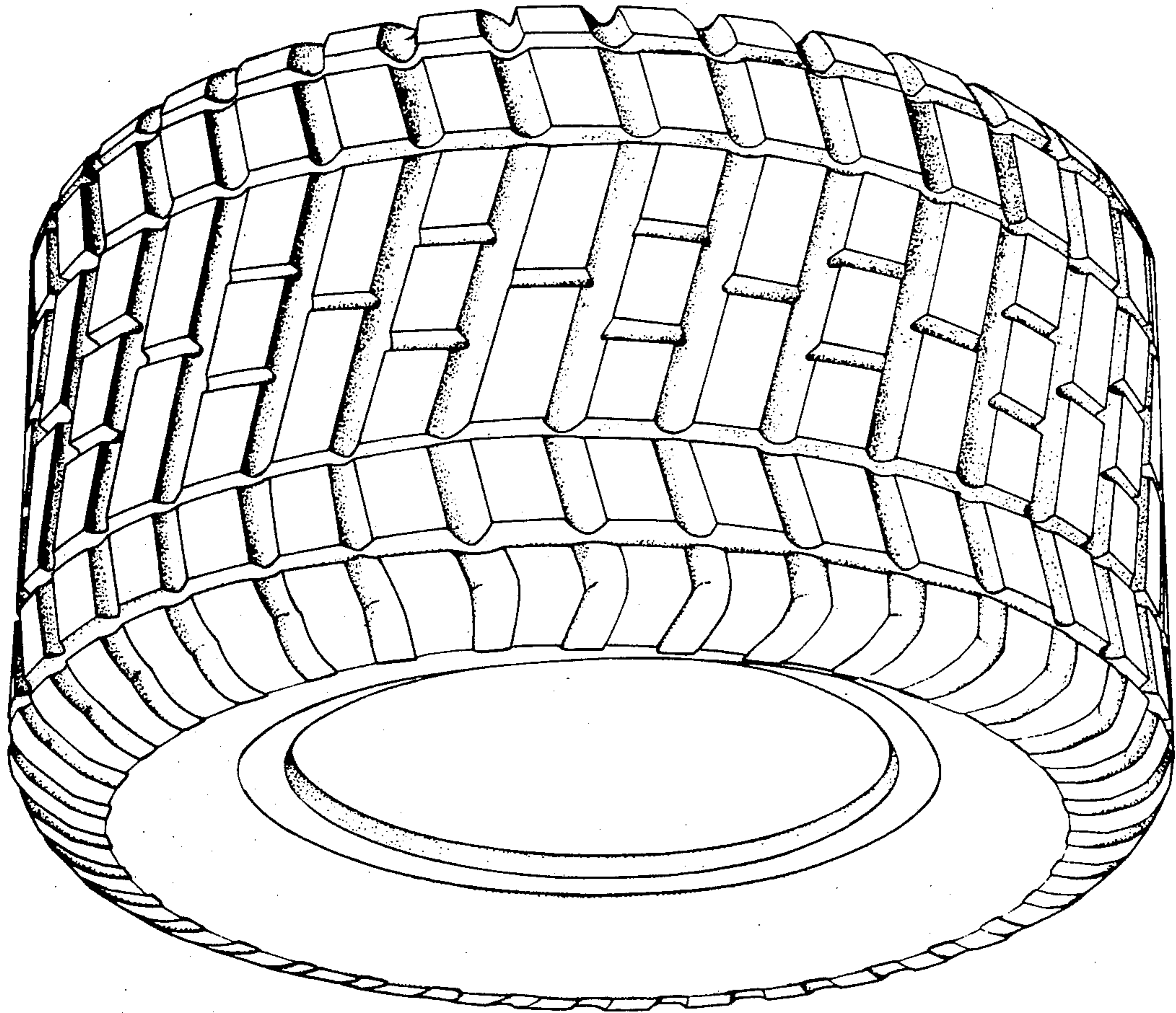


Fig.3

