

United States Patent [19]

Chan et al.

[11] Patent Number: **Des. 287,836**

[45] Date of Patent: **** Jan. 20, 1987**

[54] **MOTORIZED WHEELCHAIR**

[75] Inventors: **Wilfred Chan; Michael Marr;
Augusto De Sousa**, all of Toronto,
Canada

[73] Assignee: **Fortress Scientific Limited**, Ontario,
Canada

[**] Term: **14 Years**

[21] Appl. No.: **656,499**

[22] Filed: **Oct. 1, 1984**

[30] **Foreign Application Priority Data**

May 30, 1984 [CA] Canada 30-05-84-7

[52] U.S. Cl. **D12/131**

[58] Field of Search **D12/131, 132, 128;
280/242 WC, 289 WC; 297/DIG. 4; 180/907**

[56] **References Cited**

U.S. PATENT DOCUMENTS

D. 266,499 10/1982 Twitchell et al. **D12/131**

3,213,957 10/1965 Wrigley **D12/132**
4,012,074 3/1977 O'Reilly et al. **297/DIG. 4**
4,170,368 10/1979 Southward et al. **297/DIG. 4**
4,209,073 6/1980 Enix **280/242 WC**
4,422,515 12/1983 Loveless **280/242 WC**

FOREIGN PATENT DOCUMENTS

473579 4/1966 Switzerland **280/289 WC**

Primary Examiner—James M. Gandy

Assistant Examiner—Kay H. Chin

Attorney, Agent, or Firm—Zarley, McKee, Thomte,
Voorhees & Sease

[57] **CLAIM**

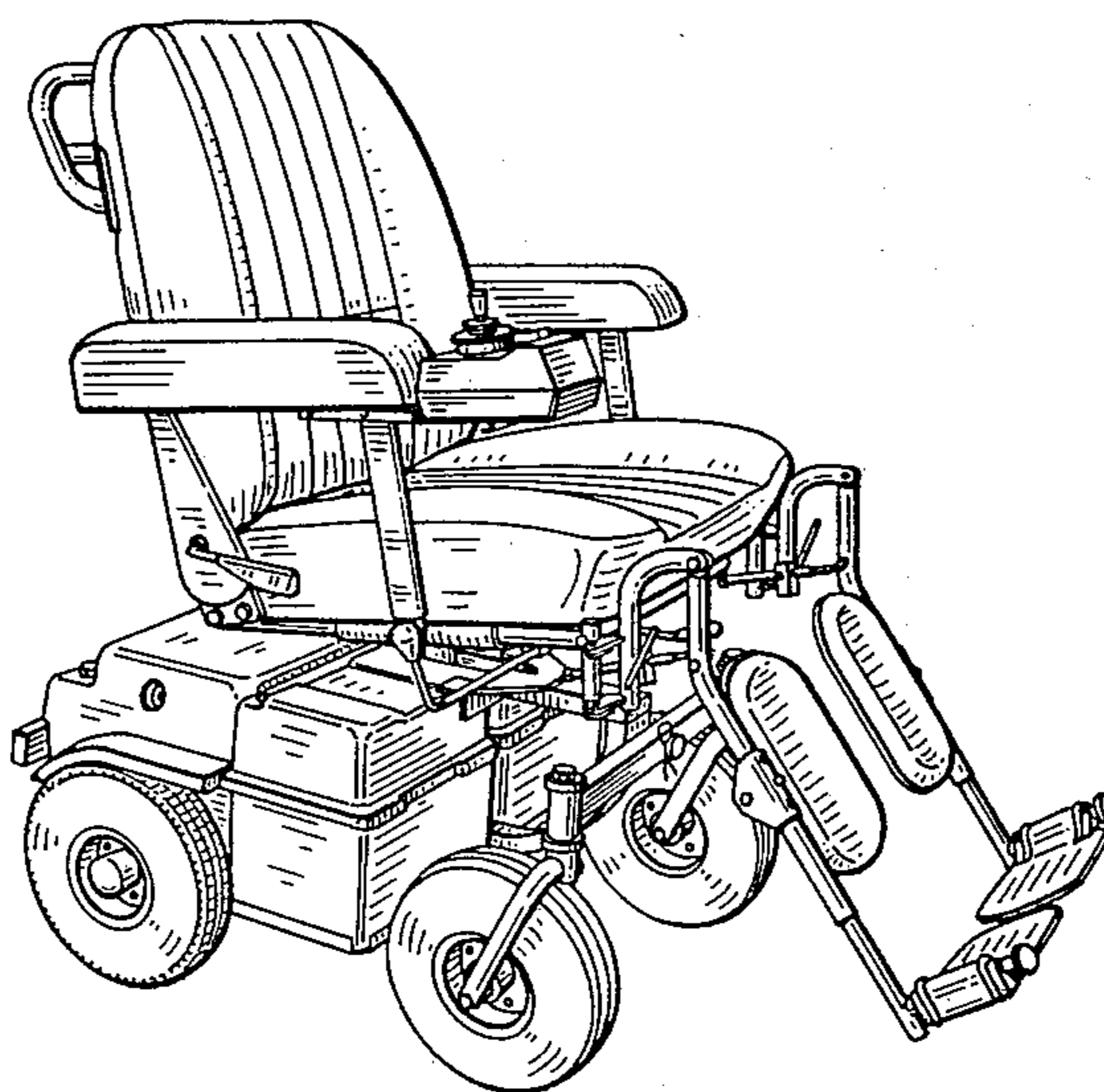
The ornamental design for a motorized wheelchair, as shown.

DESCRIPTION

FIG. 1 is a right, front perspective view of a motorized wheelchair showing our new design;

FIG. 2 is a rear perspective view thereof;

FIG. 3 is a left side elevation view thereof.



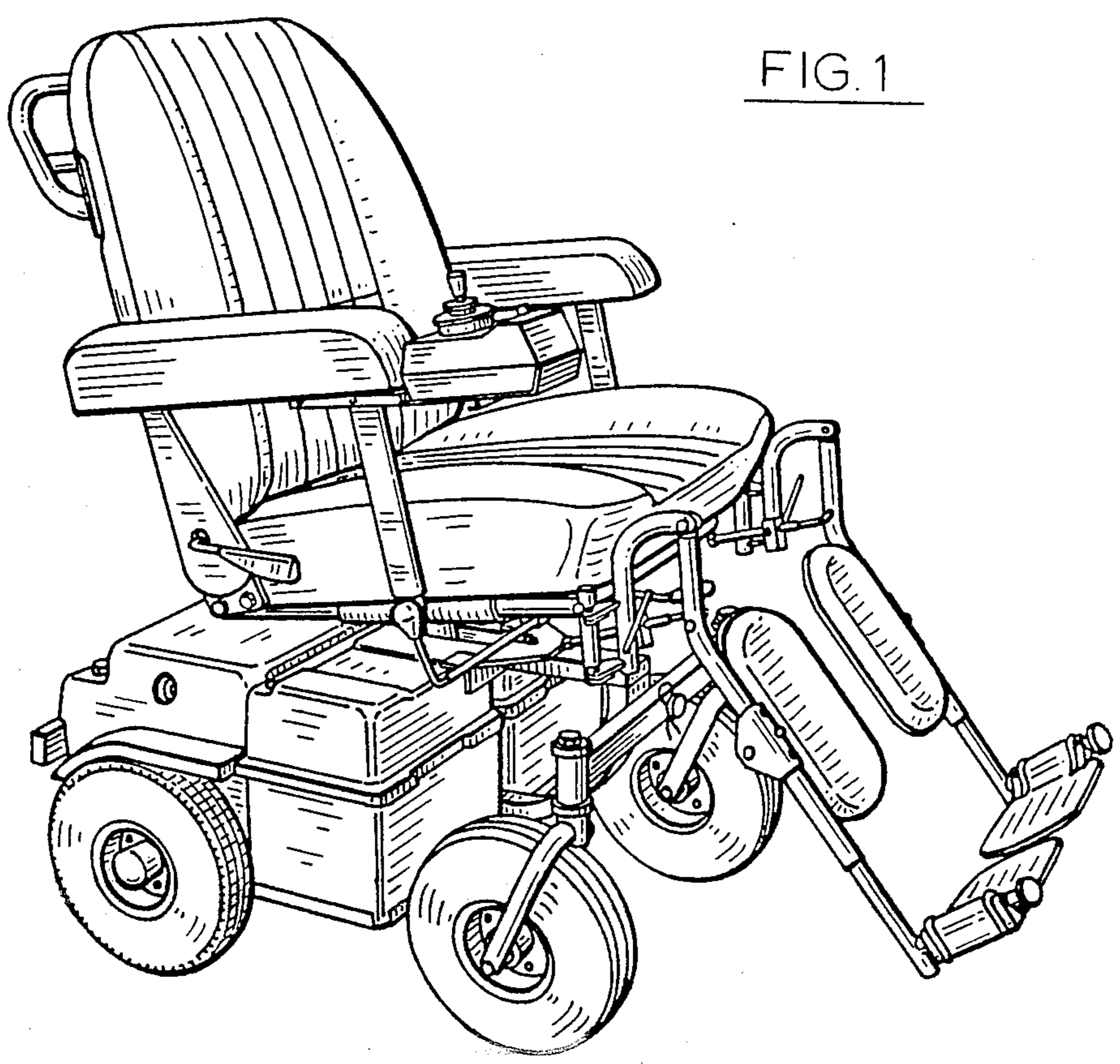
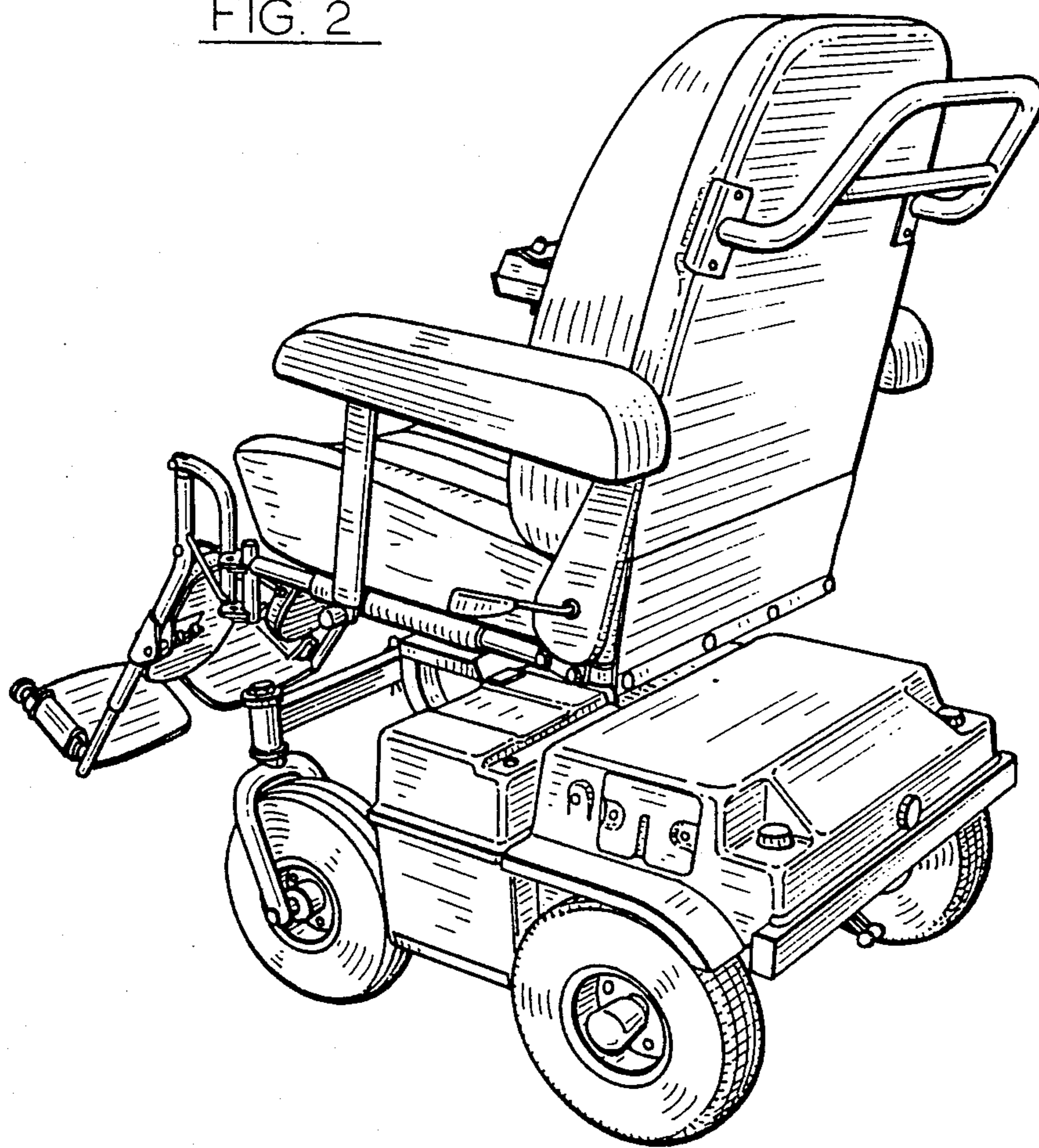


FIG. 1

FIG. 2



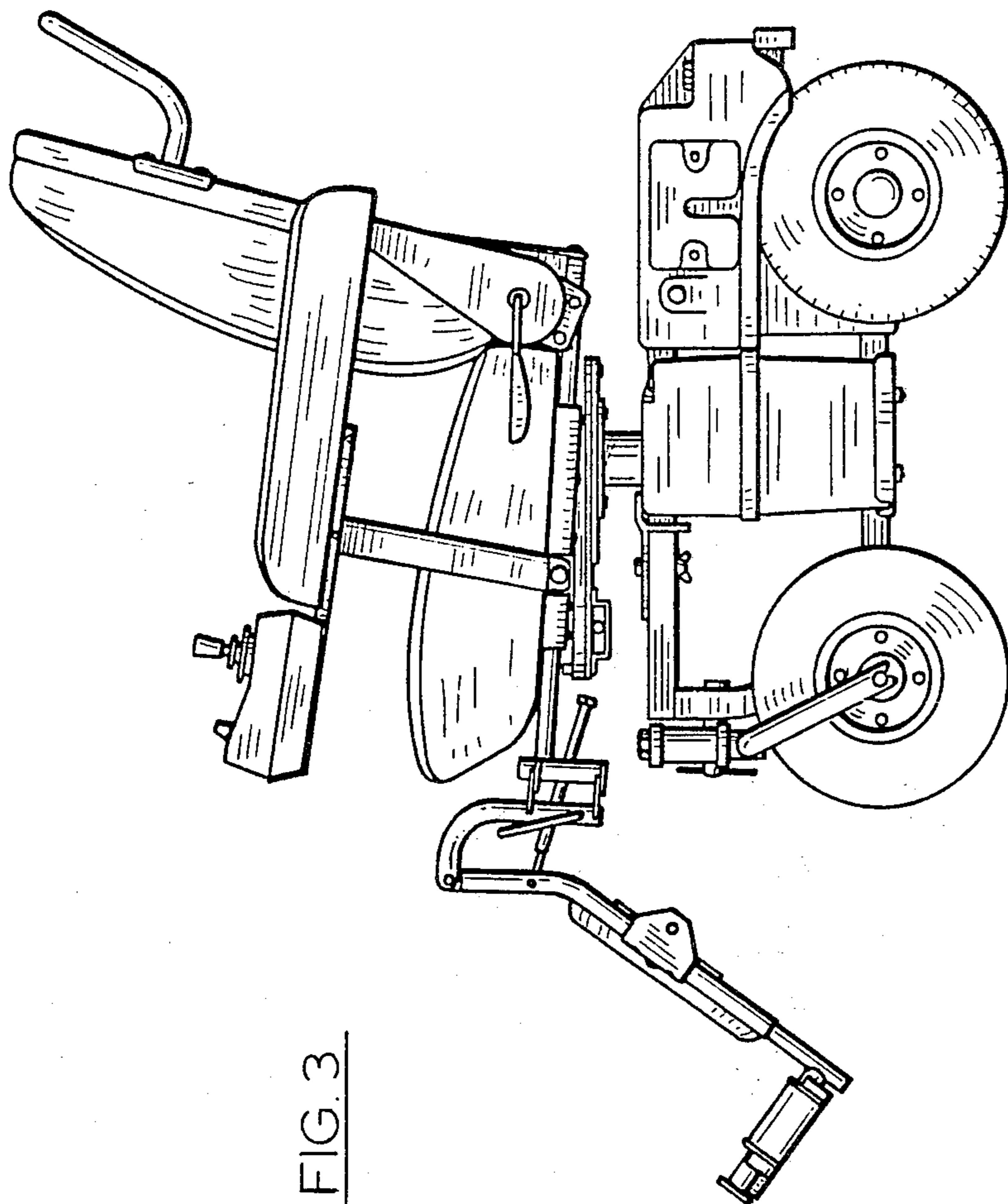


FIG. 3