

United States Patent [19]

Stephan

[11] Patent Number: **Des. 287,831**

[45] Date of Patent: **** Jan. 20, 1987**

[54] **STAND FOR TREES, POLES OR SIMILAR ARTICLE**

[75] Inventor: **Gerhard Stephan, Ottawa, Canada**

[73] Assignees: **Ava Tech International Ltd.; M. R. St. Jacques Associates, Inc., both of Ottawa, Canada**

[**] Term: **14 Years**

[21] Appl. No.: **615,126**

[22] Filed: **May 30, 1984**

[30] **Foreign Application Priority Data**

Feb. 16, 1984 [CA] Canada 16-02-84-2
[52] U.S. Cl. **D11/130.1**
[58] Field of Search D11/130.1, 130;
248/519, 524, 526, 527; 428/18, 19

[56] **References Cited**

U.S. PATENT DOCUMENTS

D. 255,439 6/1980 Ashton et al. D11/152
D. 269,571 7/1983 Geshwind D11/130.1
2,609,169 9/1952 Kroeger 248/524 X
3,073,558 1/1963 De Klotz 248/527 X

FOREIGN PATENT DOCUMENTS

2035789 6/1980 United Kingdom 428/19

Primary Examiner—Bernard Ansher
Assistant Examiner—Theodore M. Shooman
Attorney, Agent, or Firm—Murray Schaffer

[57] **CLAIM**

The ornamental design for a stand for trees, poles or similar article, substantially as shown and described.

DESCRIPTION

FIG. 1 is a top front perspective view of a stand for trees, poles or similar article showing my new design; FIG. 2 is a top plan view thereof; FIG. 3 is a bottom plan view thereof; and FIG. 4 is a side elevational view of FIG. 1.

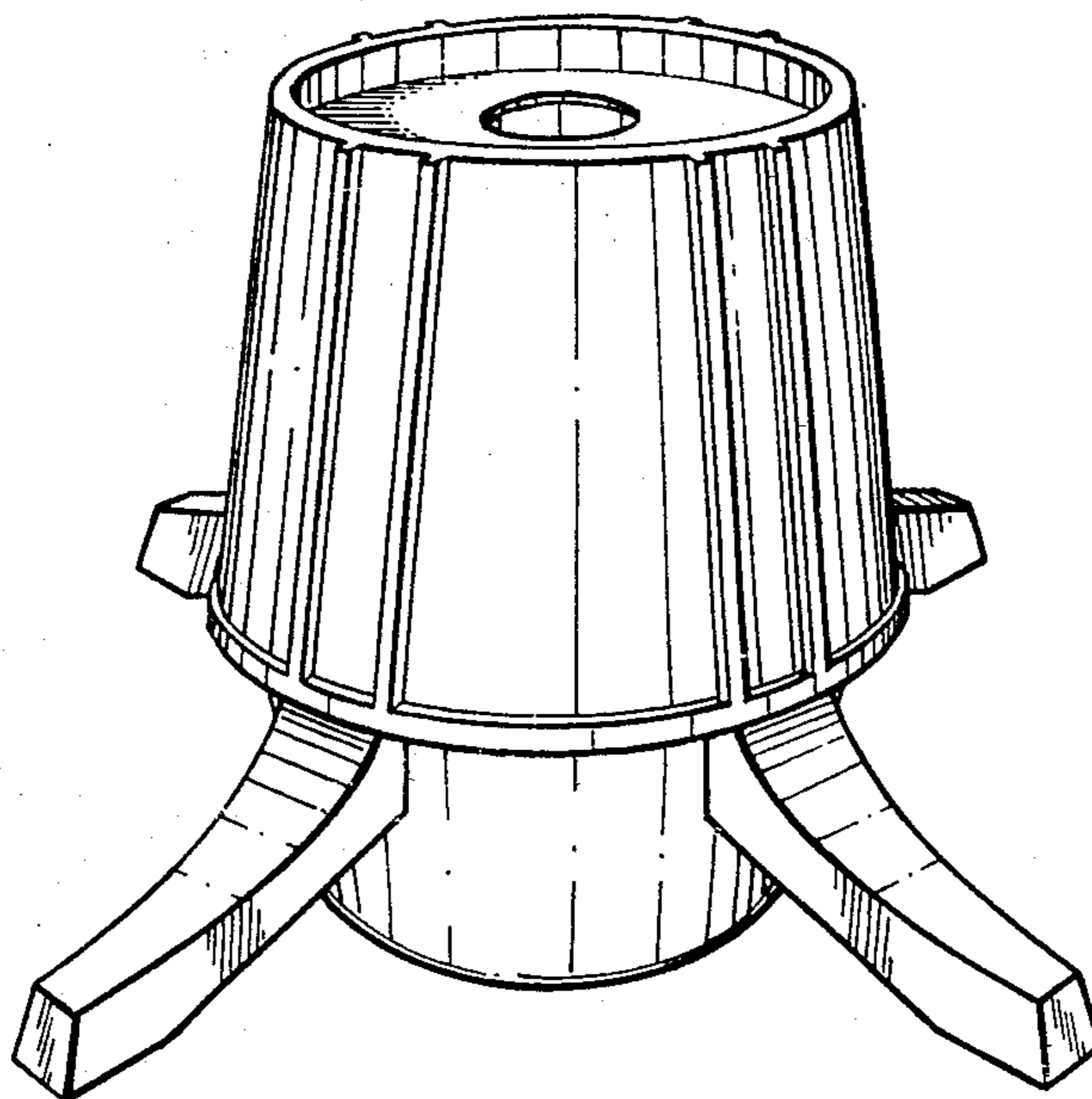


FIG. 1

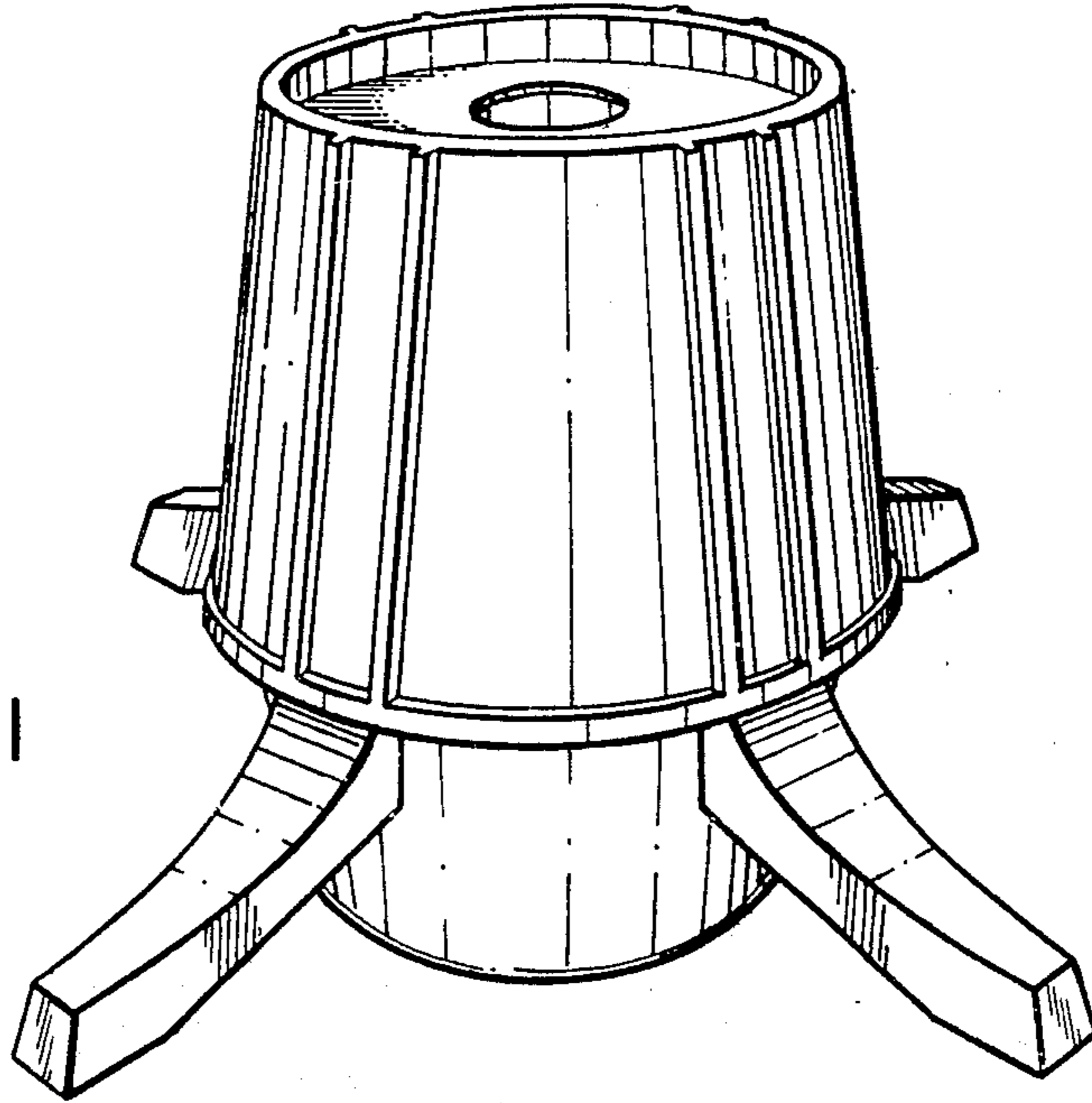


FIG. 2

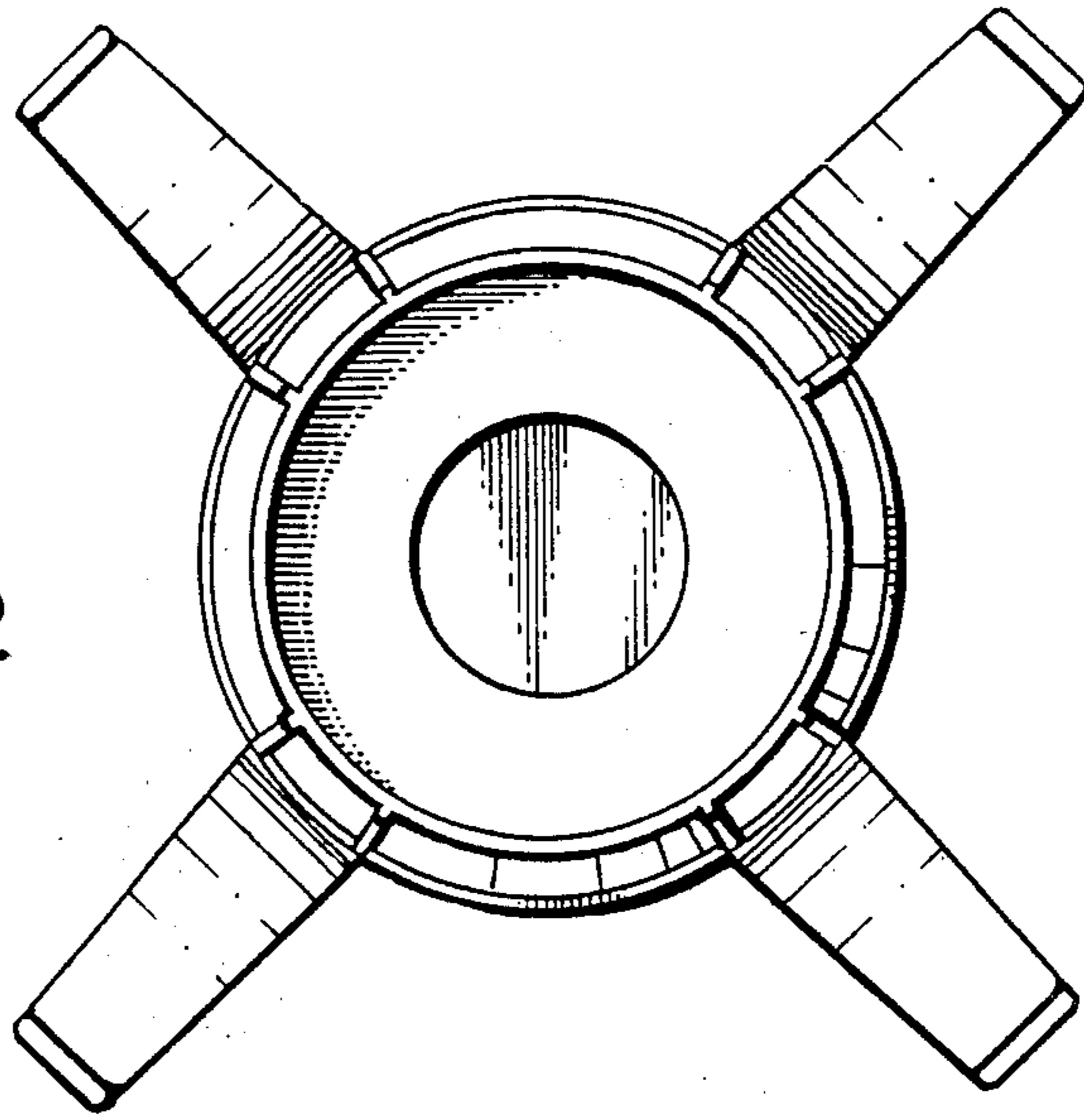


FIG. 3

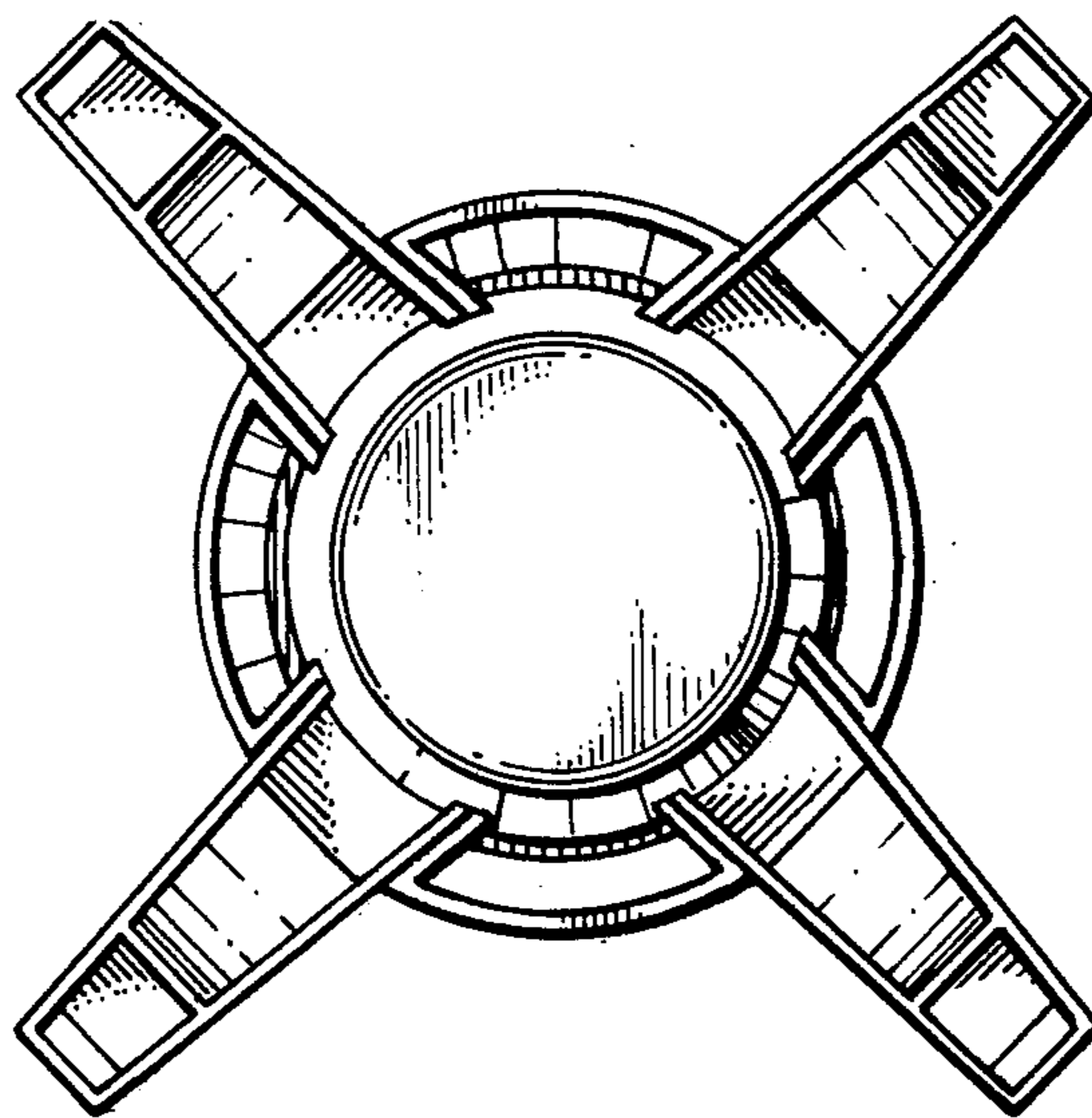


FIG. 4

