

[54] ELECTRONIC THERMOMETER OR SIMILAR ARTICLE

[75] Inventor: Bernhard Schwan, Werbach-Gamburg, Fed. Rep. of Germany

[73] Assignee: Atmos Fritzsching & Co. GmbH, Viernheim, Fed. Rep. of Germany

[**] Term: 14 Years

[21] Appl. No.: 597,370

[22] Filed: Apr. 6, 1984

[30] Foreign Application Priority Data

Oct. 8, 1983 [DE] Fed. Rep. of Germany MR 139

[52] U.S. Cl. D10/57; D10/60; D10/85; D10/78

[58] Field of Search D10/46, 49-53, D10/57, 60, 102, 85, 75, 78; 374/185, 208

[56] References Cited

U.S. PATENT DOCUMENTS

- D. 222,504 10/1971 Sato D10/57
- D. 227,500 6/1973 Sato D10/57

- D. 249,475 9/1978 Turner D10/57
- D. 255,997 7/1980 Maeda D10/57
- D. 264,190 5/1982 Müller D10/57
- D. 270,624 9/1983 Houlihan D10/57

OTHER PUBLICATIONS

Data Precision-Flyer for 2/1980-the model 940 Temperature Meter.

New Equip. Digest-p. 24-6/78-Digital Thermometer at middle.

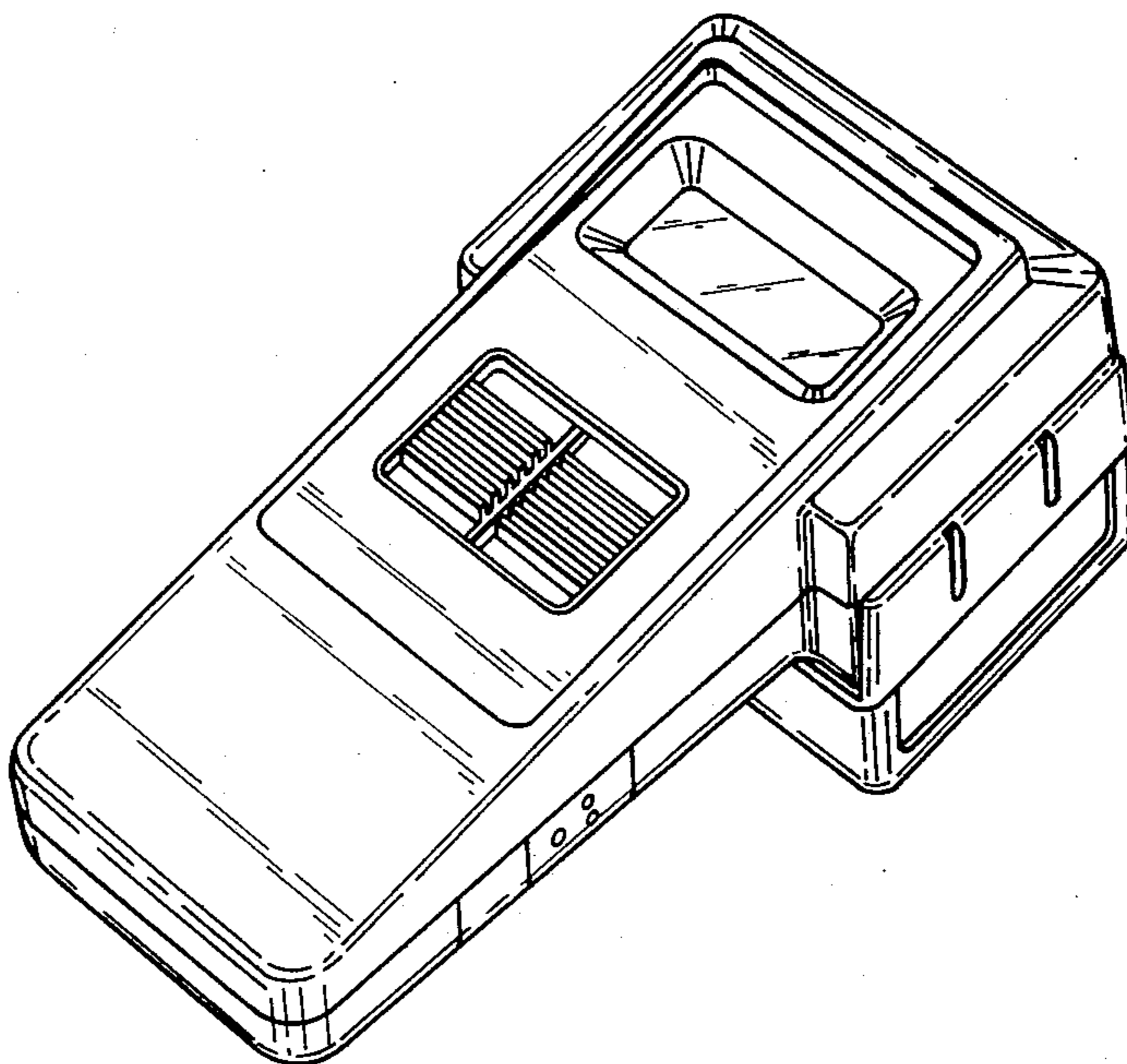
Primary Examiner-Nelson C. Holtje
Attorney, Agent, or Firm-Leonard Bloom

[57] CLAIM

The ornamental design for an electronic thermometer or similar article, as shown and described.

DESCRIPTION

FIG. 1 is a top plan view of an electronic thermometer or similar article showing my new design;
 FIG. 2 is a bottom plan view thereof;
 FIG. 3 is a front elevational view thereof;
 FIG. 4 is a rear elevational view thereof;
 FIG. 5 is a left side elevational view thereof;
 FIG. 6 is a right side elevational view thereof;
 FIG. 7 is a top and right front perspective view thereof.



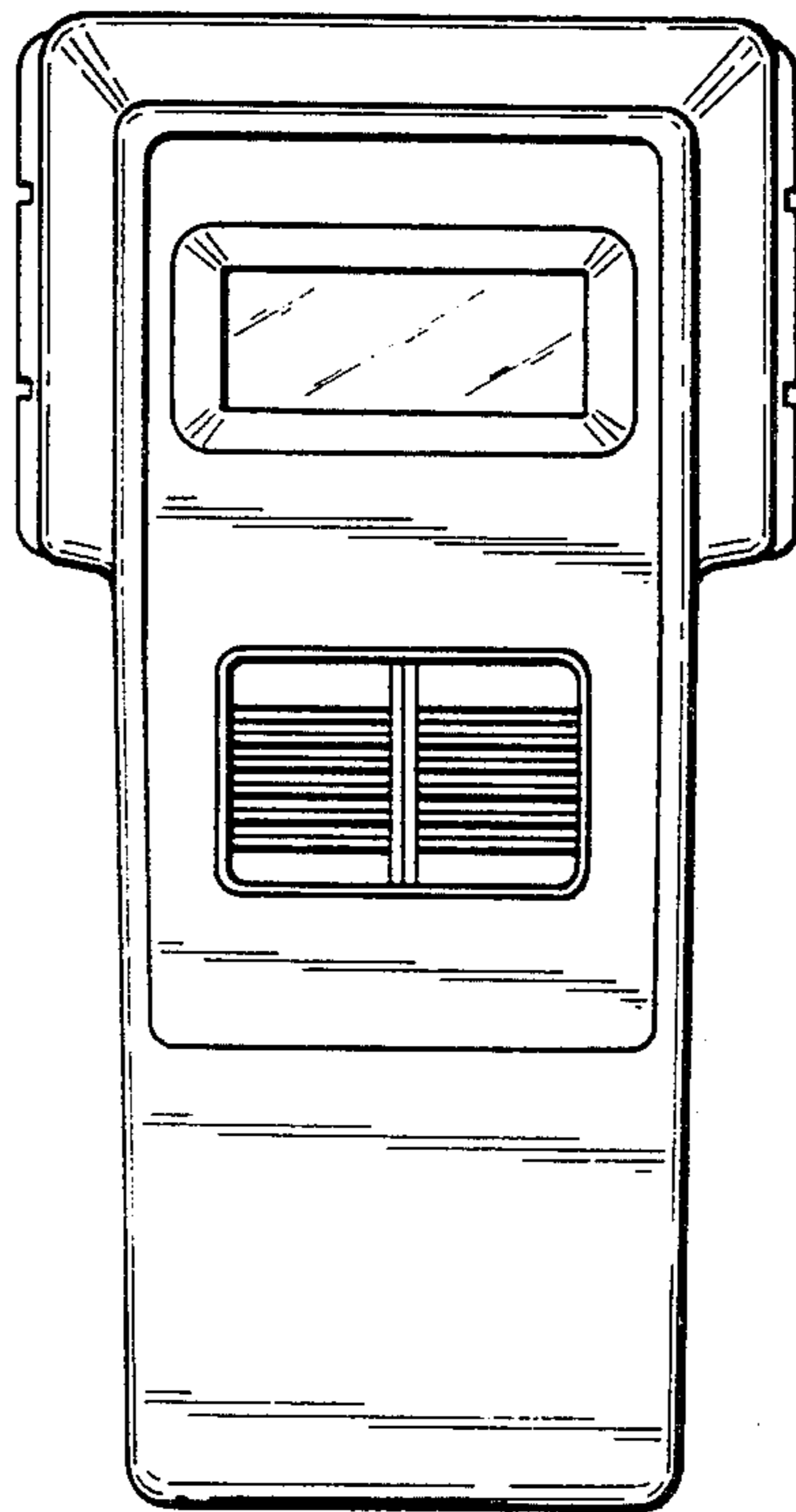


FIG. 1

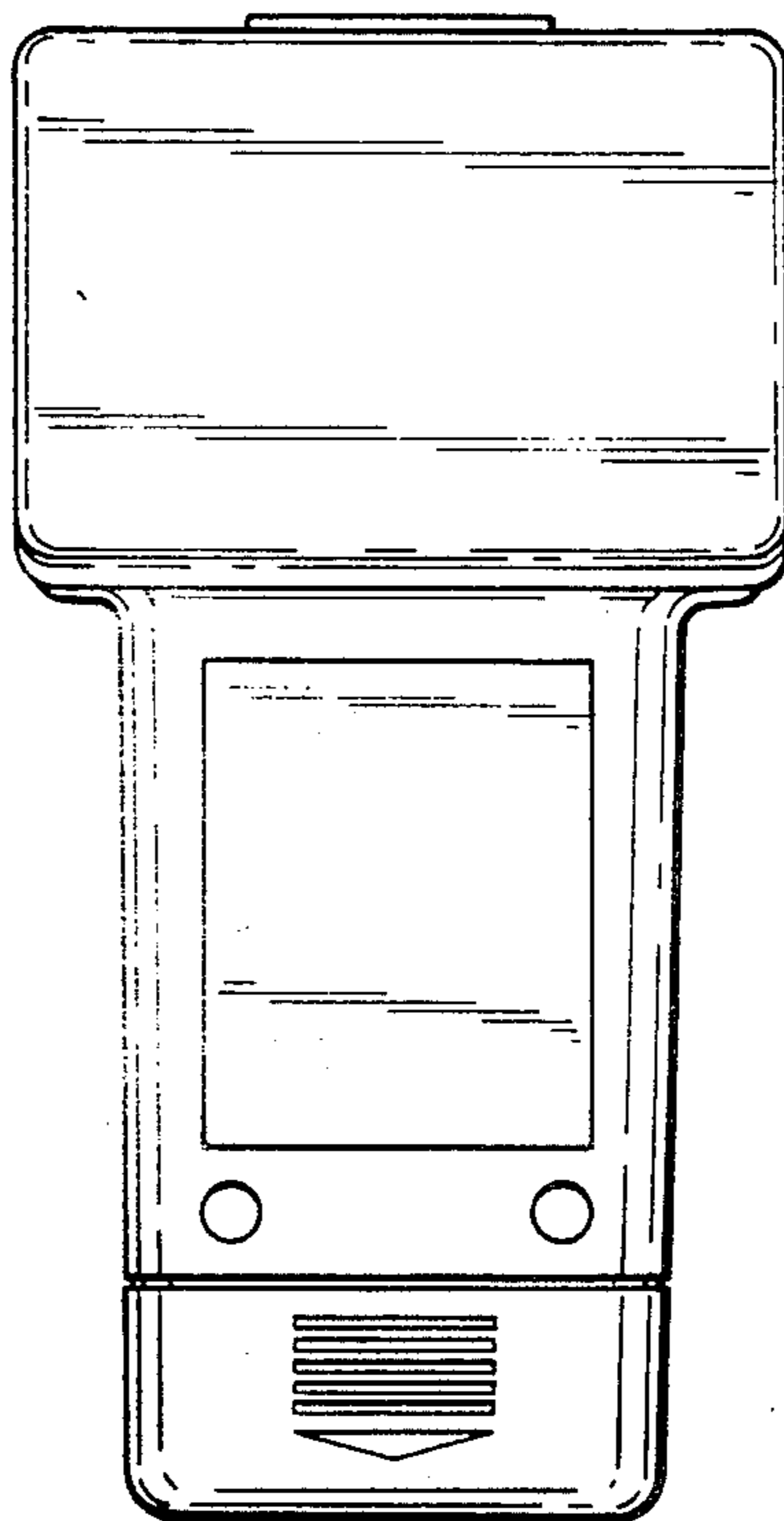


FIG. 2

FIG. 3

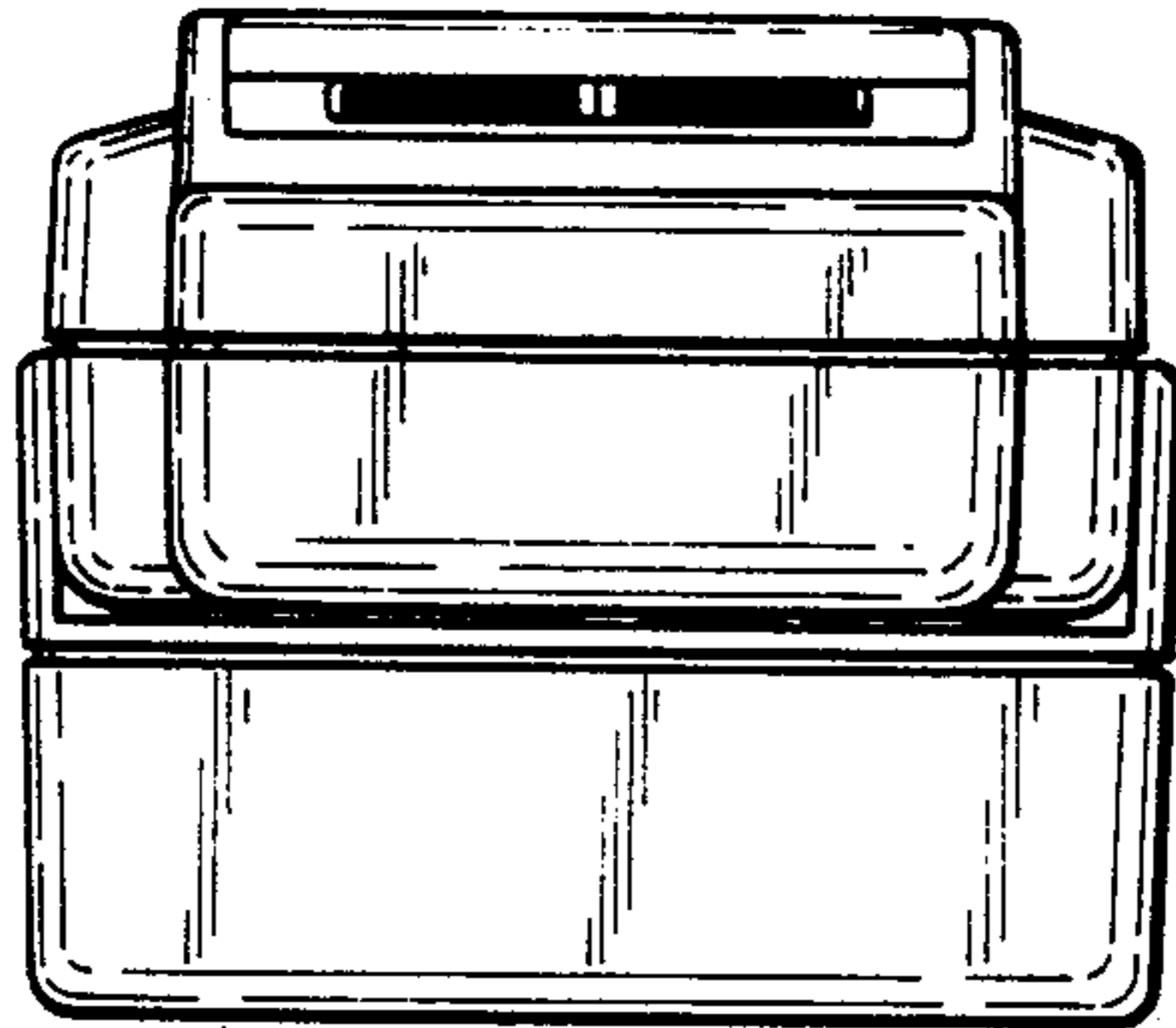


FIG. 4

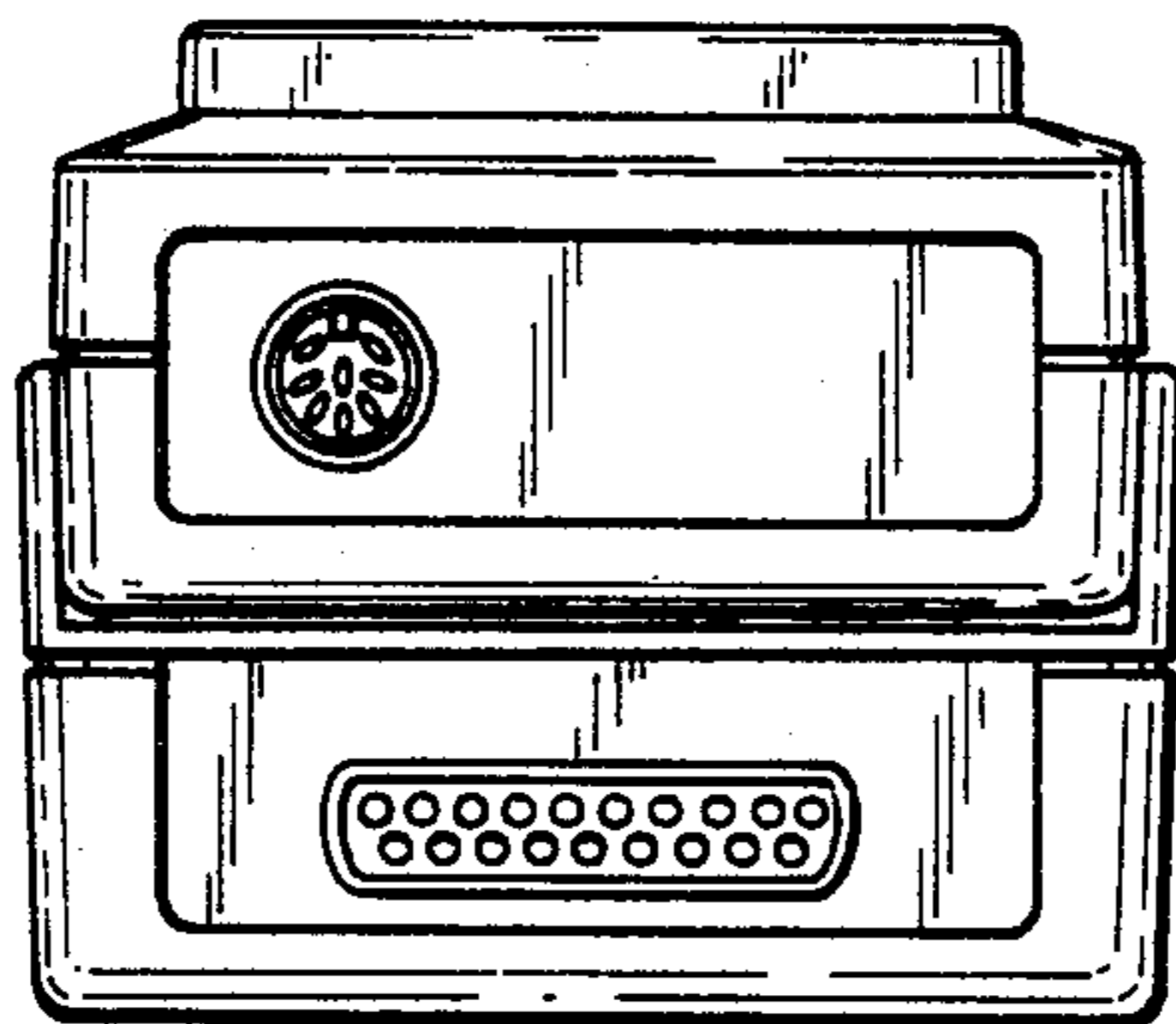


FIG. 5

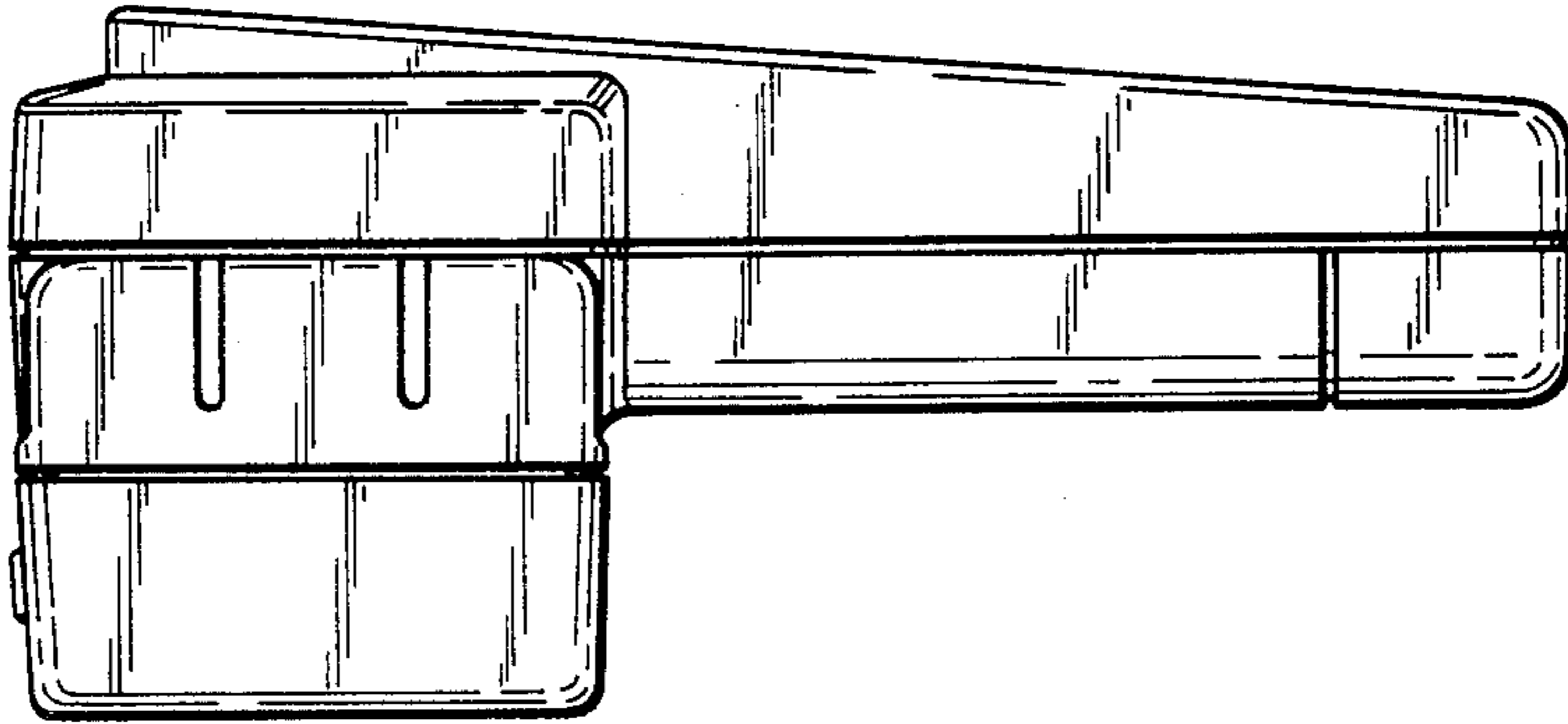


FIG. 6

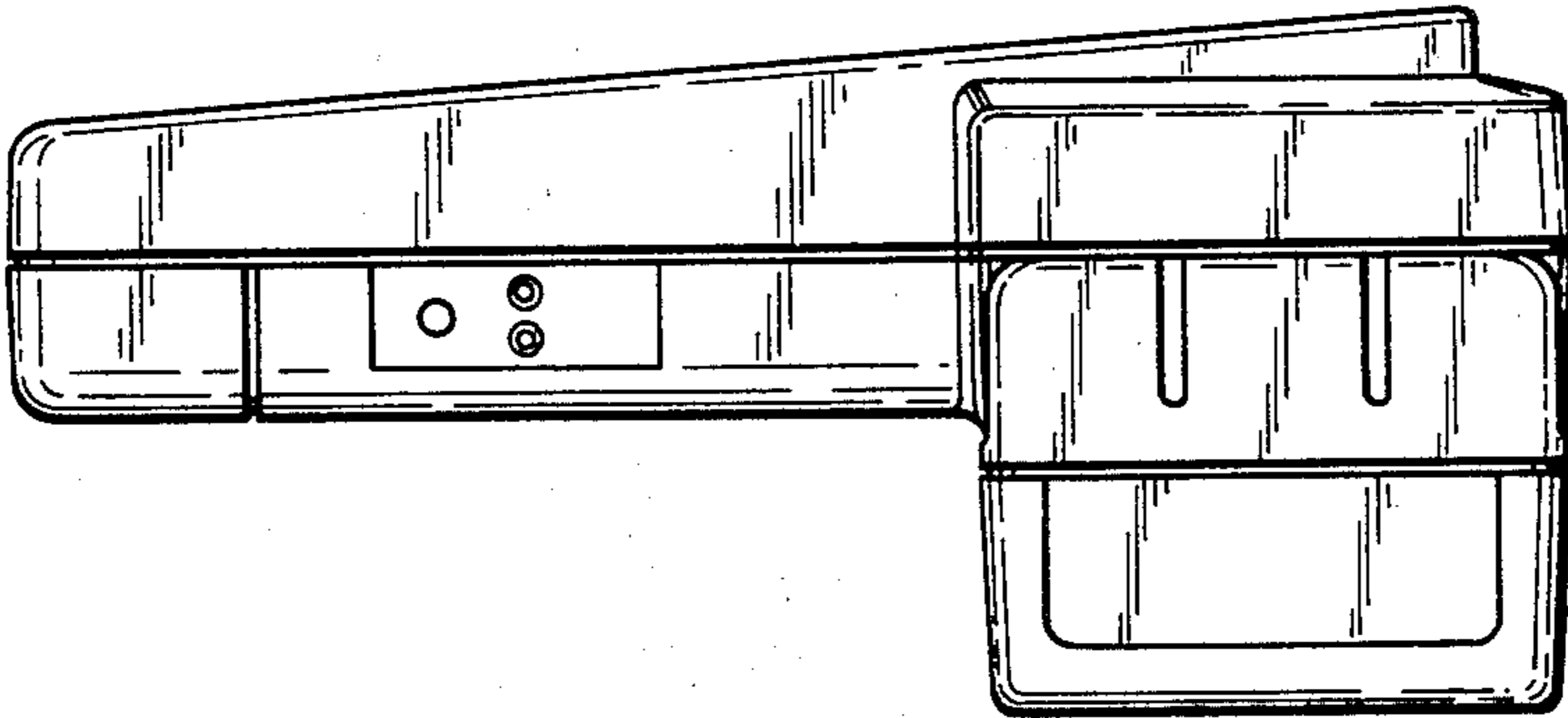


FIG. 7

