

[54] **COMBINED ELECTRONIC
THERMOMETER AND COVER THEREFOR**

[75] Inventor: **Kazumi Osaka**, Osaka, Japan

[73] Assignee: **Sharp Corporation**, Osaka, Japan

[**] Term: **14 Years**

[21] Appl. No.: **607,016**

[22] Filed: **May 3, 1984**

[30] **Foreign Application Priority Data**

Nov. 4, 1983 [JP] Japan 58-47932
[52] U.S. Cl. **D10/57**
[58] Field of Search **D10/49-53,**
D10/57, 60, 102, 103; 374/183-185, 208

[56] **References Cited**

U.S. PATENT DOCUMENTS

D. 254,189 2/1980 Prosky D10/57
D. 254,725 4/1980 Rawson D10/60
D. 254,726 4/1980 Hirsch D10/60
D. 268,333 3/1983 Kojima D10/57
D. 268,991 5/1983 Bilgutay D10/57 X
4,371,271 2/1983 Bellet 374/208 X
4,579,464 4/1986 Yainazaki 374/183 X

Primary Examiner—Nelson C. Holtje
Attorney, Agent, or Firm—Flehr, Hohbach, Test,
Albritton & Herbert

[57] **CLAIM**

The ornamental design for combined electronic thermometer and cover therefor, as shown and described.

DESCRIPTION

FIG. 1 is a top perspective view of a combined electronic thermometer and cover therefor showing my new design, with the cover off;

FIG. 2 is a front elevational view of the thermometer combined with its cover; the rear being a mirror image thereof;

FIG. 3 is a top plan view of FIG. 2, the bottom plan being a mirror image thereof;

FIG. 4 is a top plan view of the thermometer portion of the claimed design, the cover being omitted for ease of illustration;

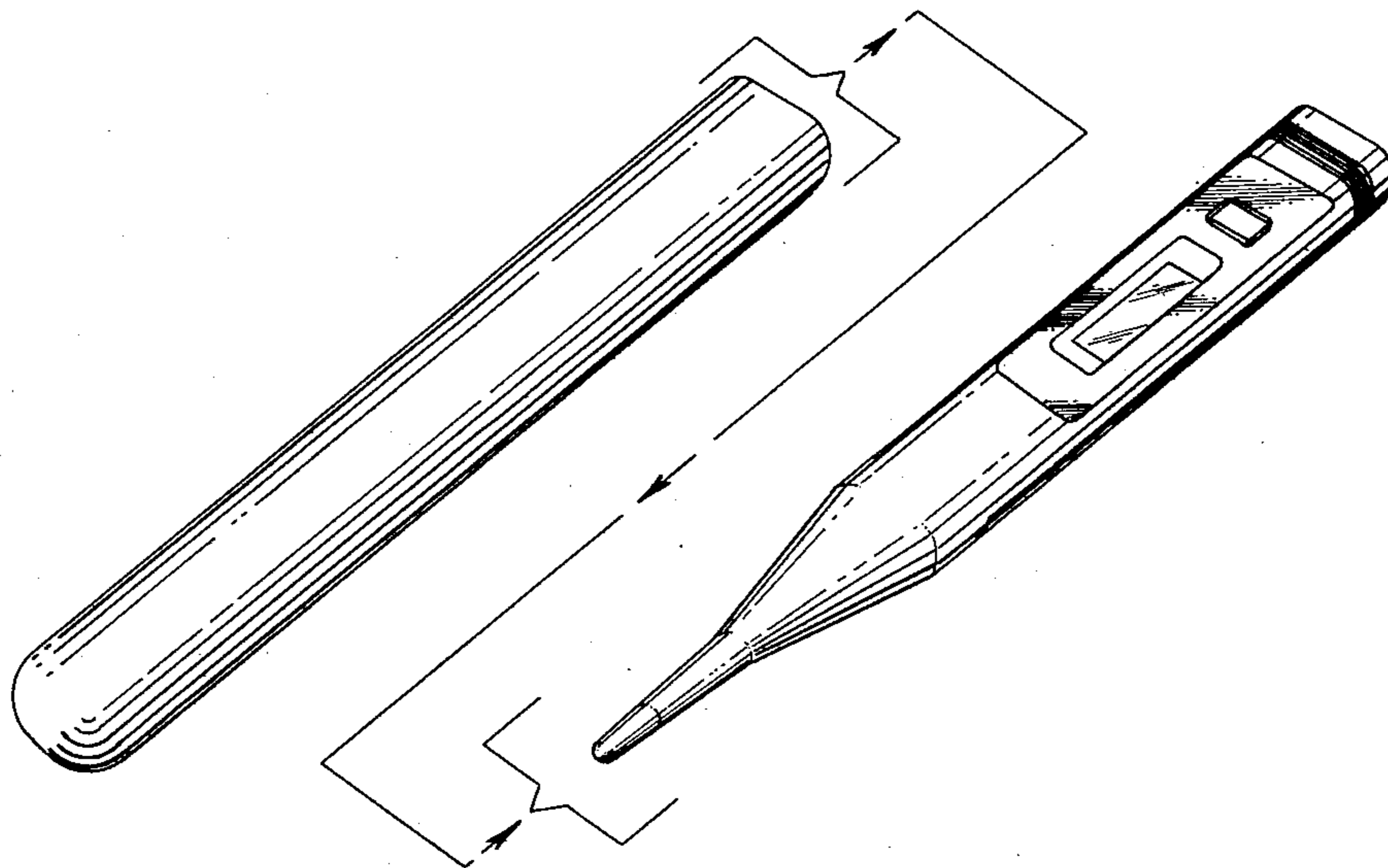
FIG. 5 is a bottom plan view of FIG. 4;

FIG. 6 is a front elevational view of FIG. 4, the rear being a mirror image thereto;

FIG. 7 is a left side elevational view of FIG. 4;

FIG. 8 is a right side elevational view of FIG. 4.

FIG. 9 is a right side elevational view thereof.



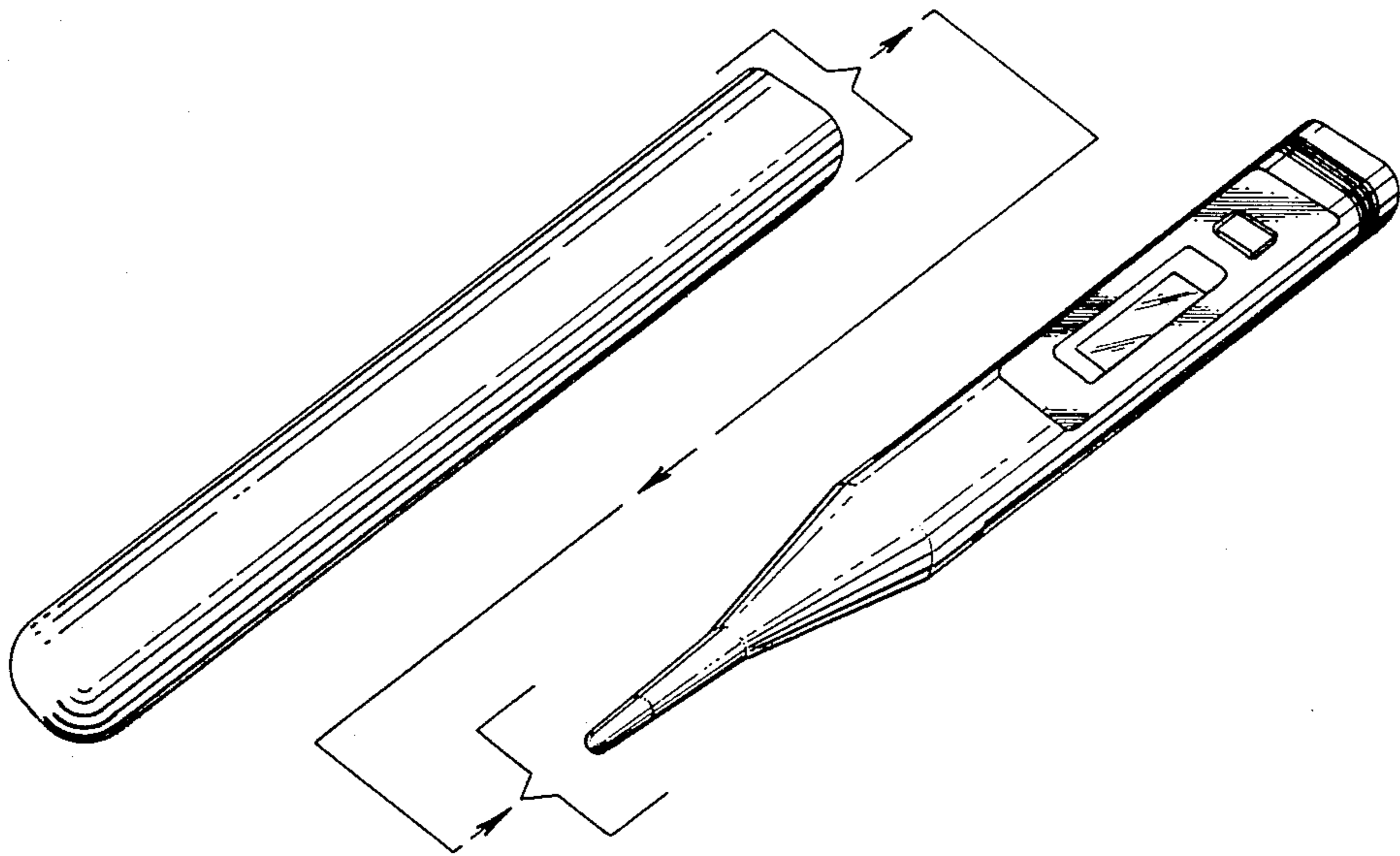


FIG. 1

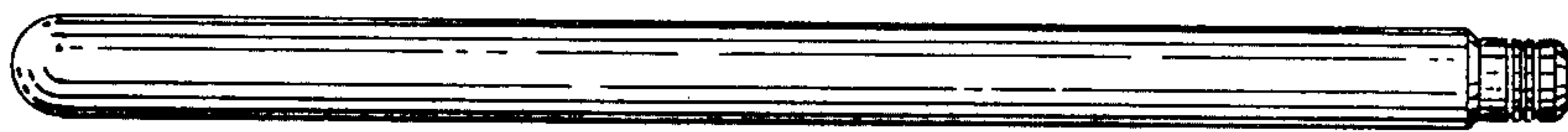


FIG. 2

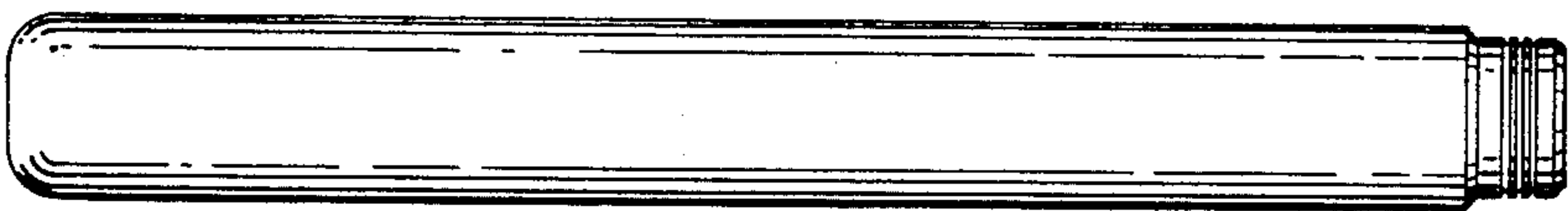


FIG. 3



FIG. 4

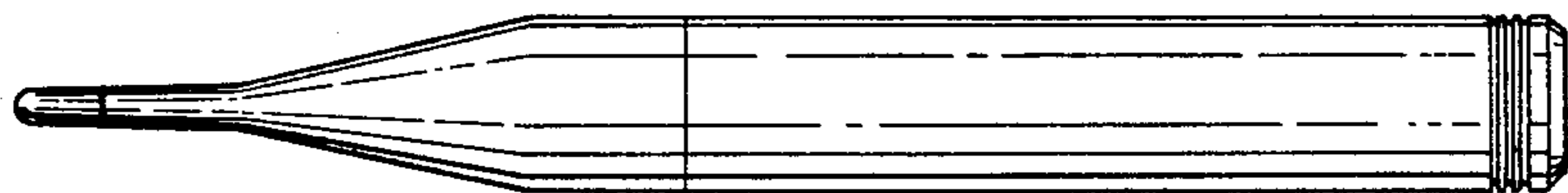


FIG. 5

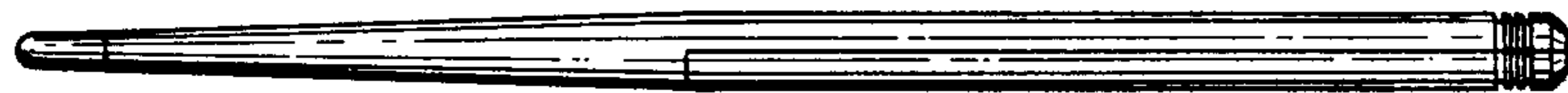


FIG. 6



FIG. 7



FIG. 8