

# United States Patent [19]

Rayner

[11] Patent Number: **Des. 287,825**

[45] Date of Patent: **\*\* Jan. 20, 1987**

[54] **CONTAINER FOR LIQUIDS**

[75] Inventor: **Adrien P. Rayner, Iver, England**

[73] Assignee: **Metal Box p.l.c., Reading, England**

[\*\*] Term: **14 Years**

[21] Appl. No.: **499,316**

[22] Filed: **May 27, 1983**

[52] U.S. Cl. .... **D9/428; D9/349; D9/370**

[58] Field of Search ..... **D9/349, 351, 352, 355, D9/390-399, 370, 428, 454; 229/6 R, 4.5, 2.5 R, 1.5 R, 1.5 B; 220/1 R, 1 BC**

[56] **References Cited**

**U.S. PATENT DOCUMENTS**

D. 219,265 11/1970 Churan ..... D9/379 X

D. 259,625 6/1981 Hamilton et al. .... D9/428  
D. 276,139 10/1984 Rayner ..... D9/428 X  
D. 278,800 5/1985 Bowen et al. .... D9/352 X

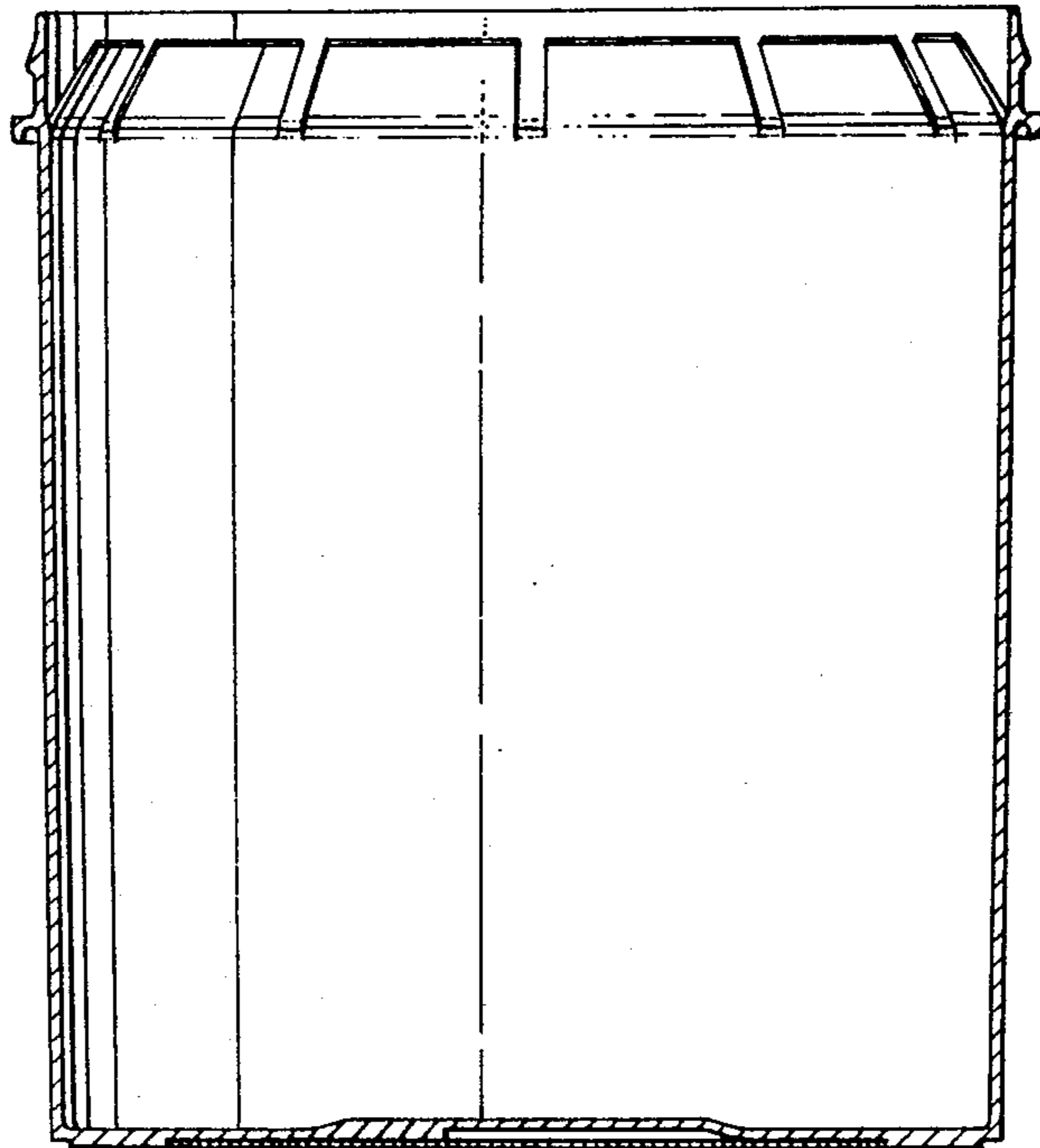
*Primary Examiner*—Robert C. Spangler  
*Attorney, Agent, or Firm*—Diller, Ramik & Wright

[57] **CLAIM**

The ornamental design for a container for liquids, substantially as shown and described.

**DESCRIPTION**

FIG. 1 is a top plan view of a container for liquids showing my new design;  
FIG. 2 is a bottom plan view;  
FIG. 3 is a side elevational view;  
FIG. 4 is a vertical sectional view taken on line 4—4 of FIG. 1; and  
FIG. 5 is a fragmentary, enlarged sectional view taken on line 5—5 of FIG. 1.



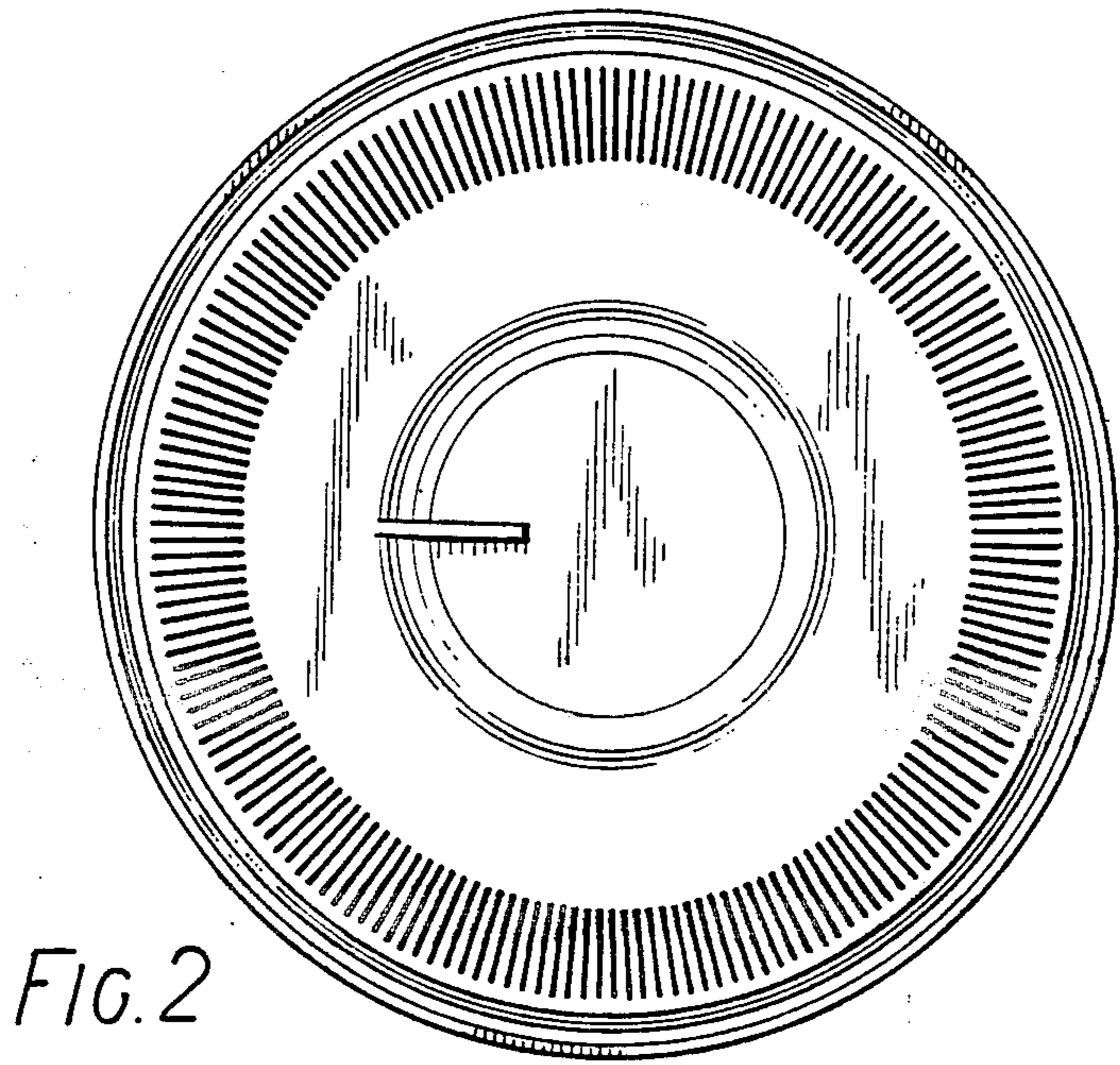
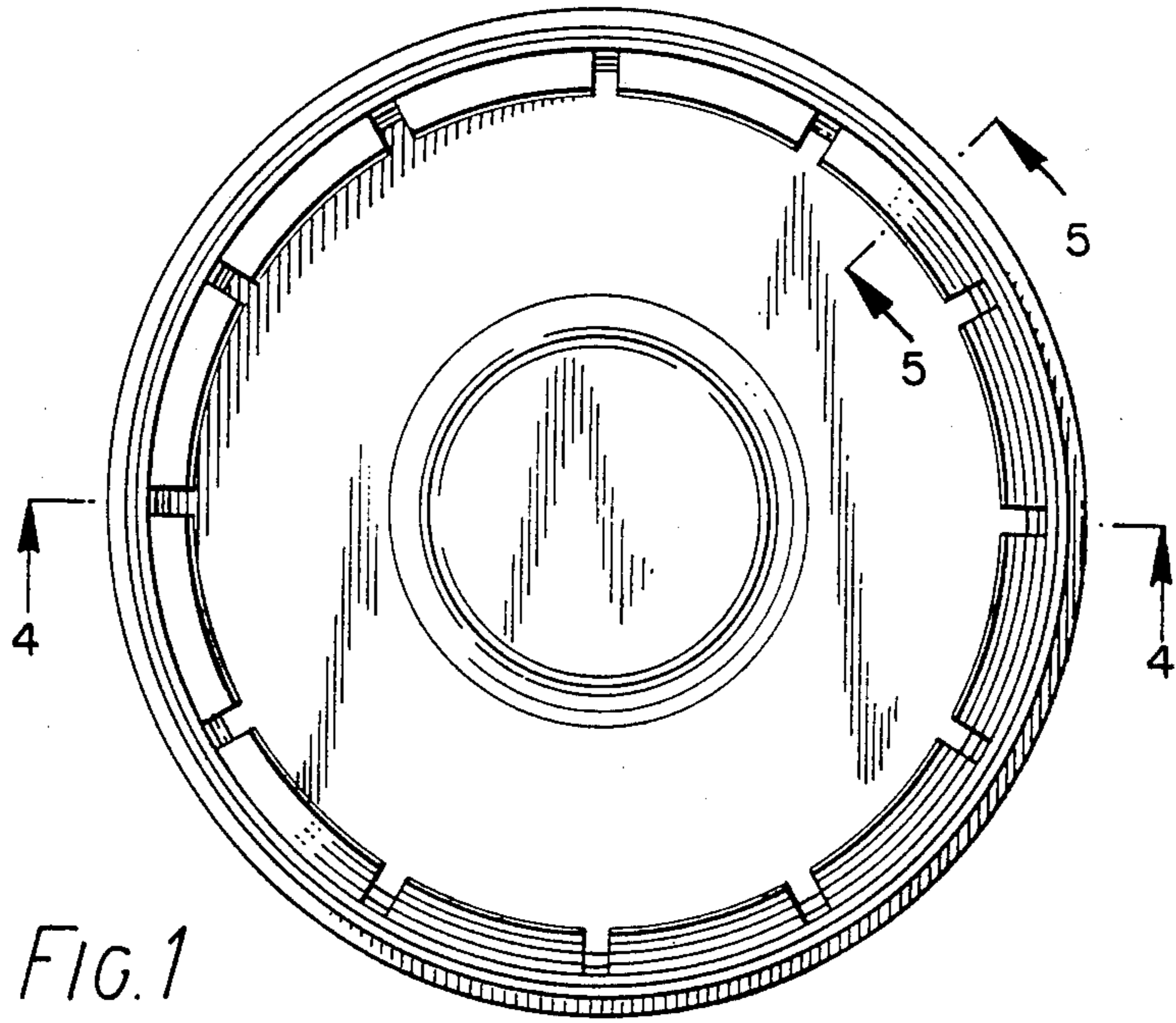


FIG. 3

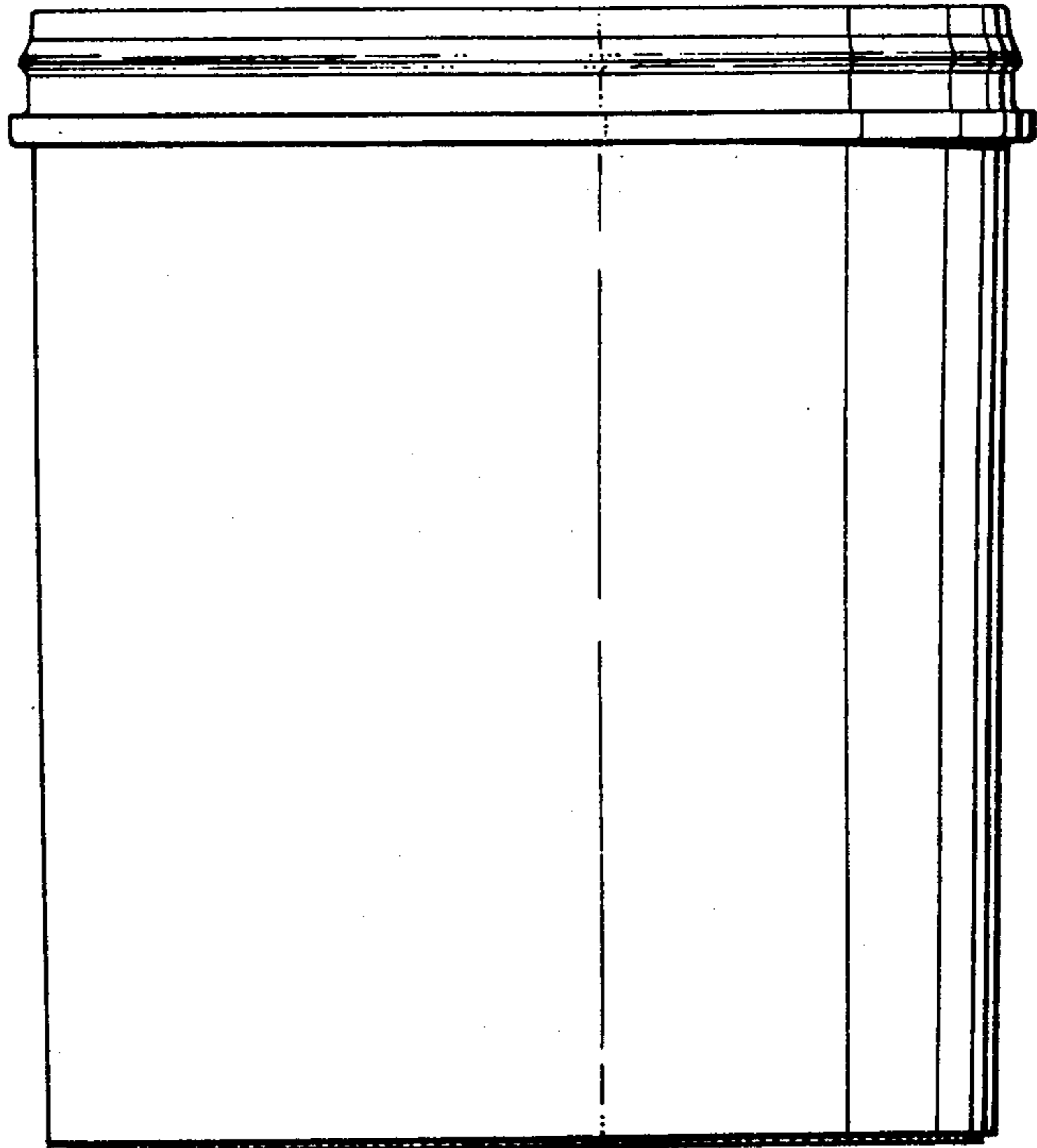
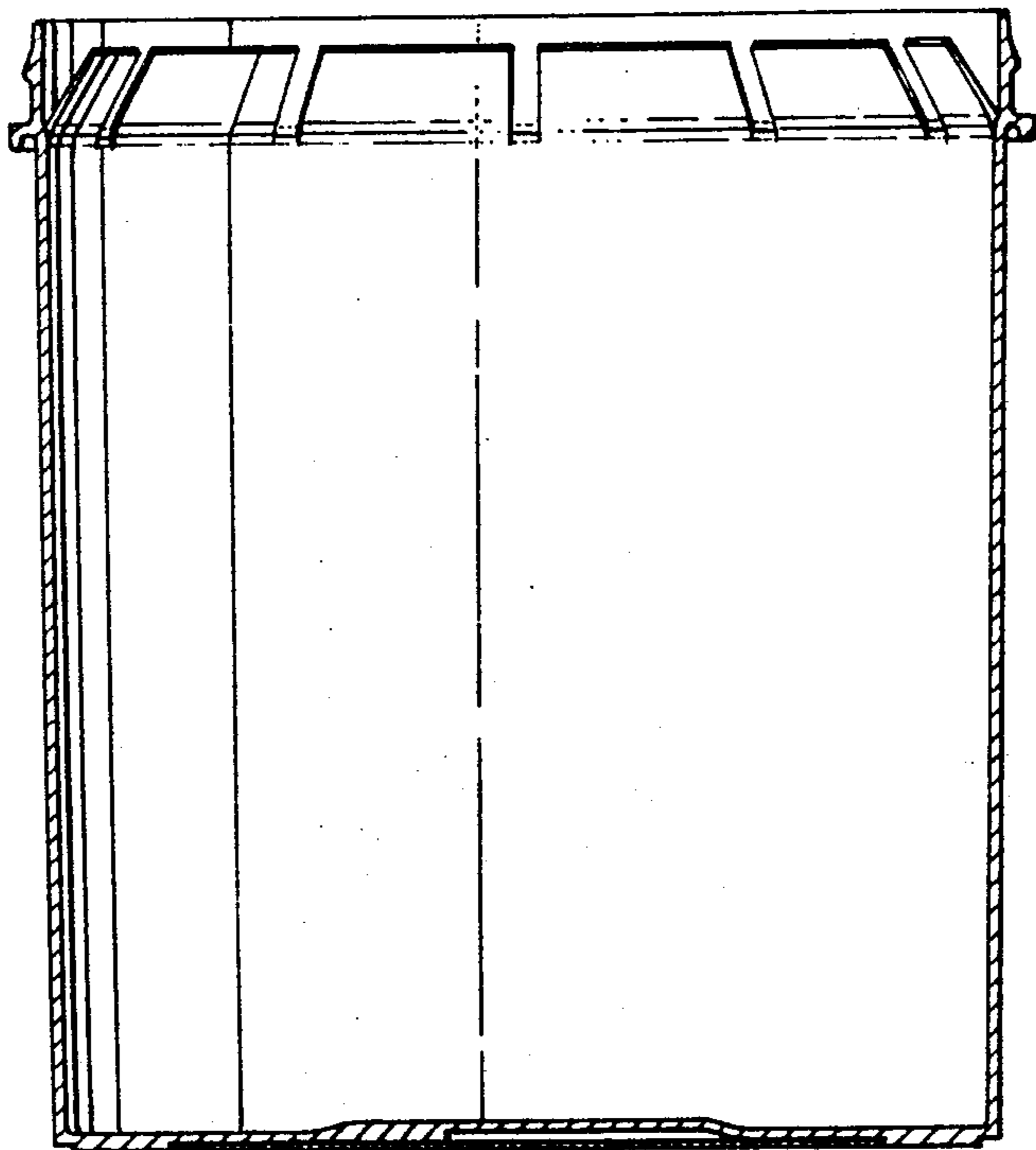


FIG. 4



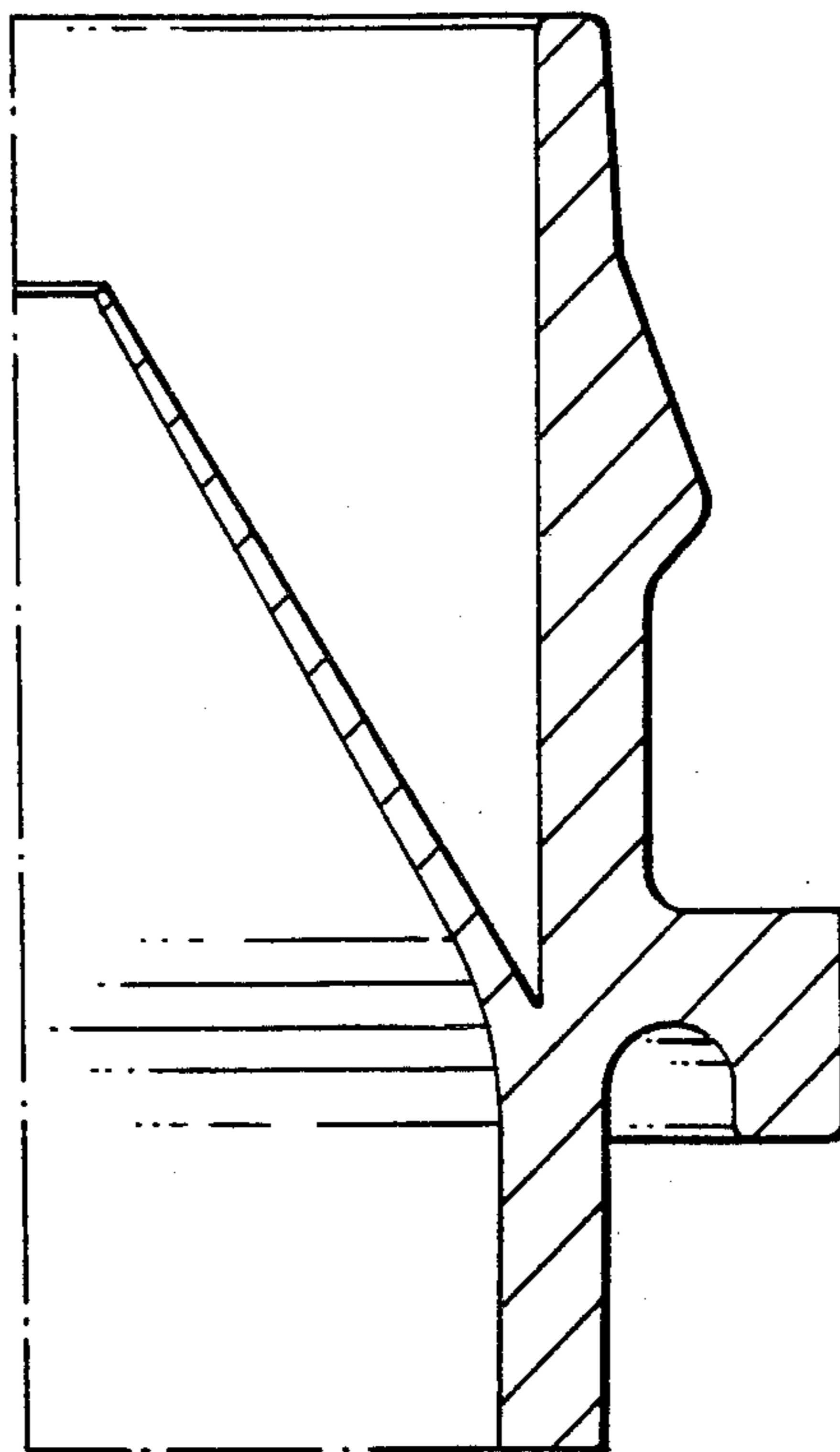


FIG. 5