

[54] **SCREW-THREADED INSERT**

[75] **Inventors:** Stephen R. Bullen, Honeybourne, nr. Evesham; Paul M. Dunn; Martin A. Phillips, both of Redditch, all of England

[73] **Assignee:** Dynacast International Limited, England

[\*\*] **Term:** 14 Years

[21] **Appl. No.:** 686,393

[22] **Filed:** Dec. 26, 1984

[30] **Foreign Application Priority Data**

Jul. 3, 1984 [GB] United Kingdom ..... 1020710

[52] **U.S. Cl.** ..... D8/385

[58] **Field of Search** ..... D8/382, 385; 411/180, 411/427

[56]

**References Cited**

**U.S. PATENT DOCUMENTS**

D. 228,340	9/1973	Jennings .....	D8/385
D. 262,863	2/1982	Barnsdale .....	D8/385
2,949,142	8/1960	Sumerak .....	411/180
3,204,679	9/1965	Walsh .....	411/180
4,046,181	9/1977	Barnsdale .....	411/180

*Primary Examiner*—B. J. Bullock  
*Attorney, Agent, or Firm*—Larson and Taylor

[57]

**CLAIM**

The ornamental design for a screw-threaded insert, as shown.

**DESCRIPTION**

FIG. 1 is a front elevational view of a screw-threaded insert showing our new design, taken in the direction of arrow I of FIG. 3;

FIG. 2 is a bottom plan view thereof;

FIG. 3 is a top plan view thereof;

FIG. 4 is a sectional view taken in the direction of the arrows on line IV—IV of FIG. 3.

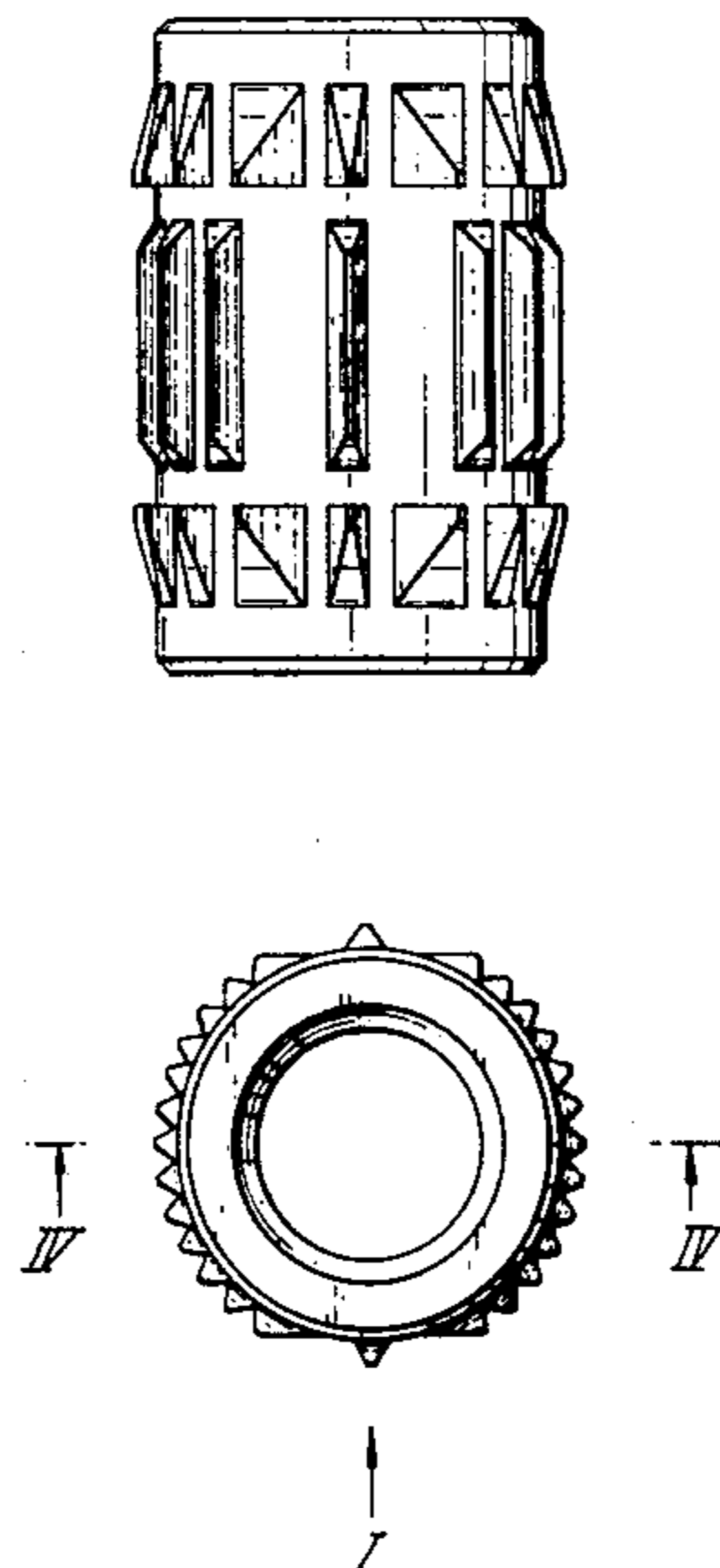


Fig. 2.

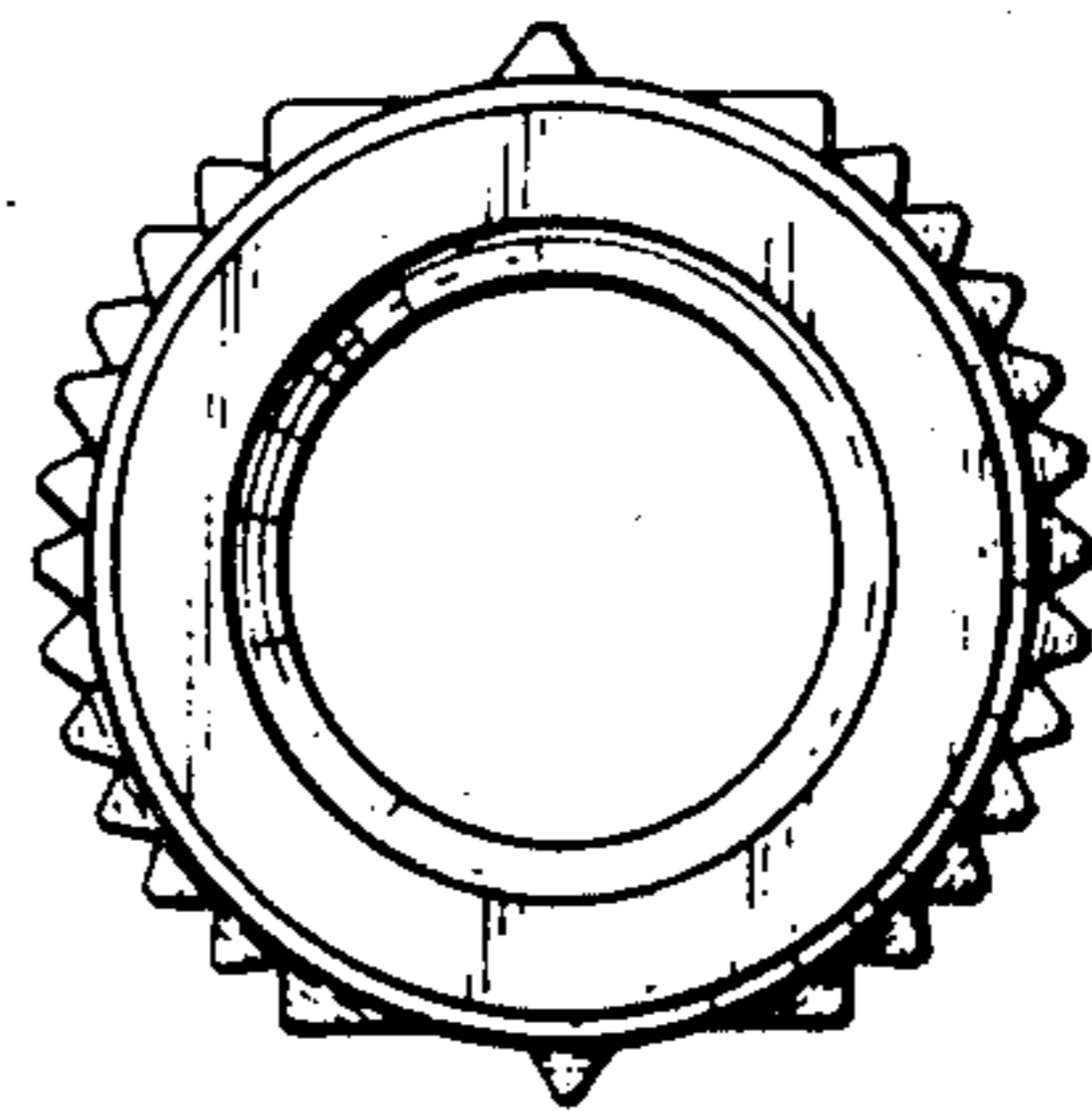


Fig. 4.

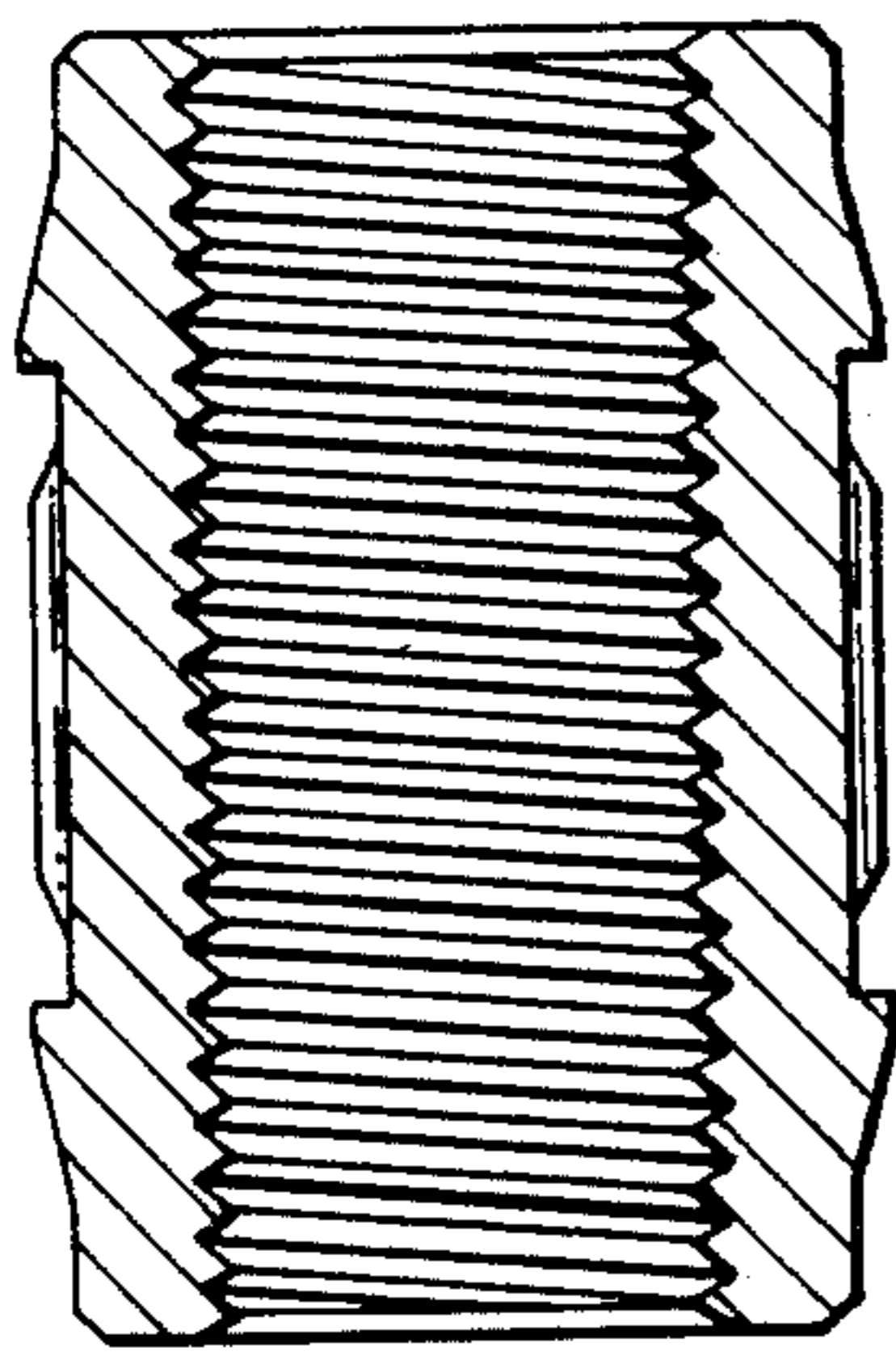


Fig. 1.

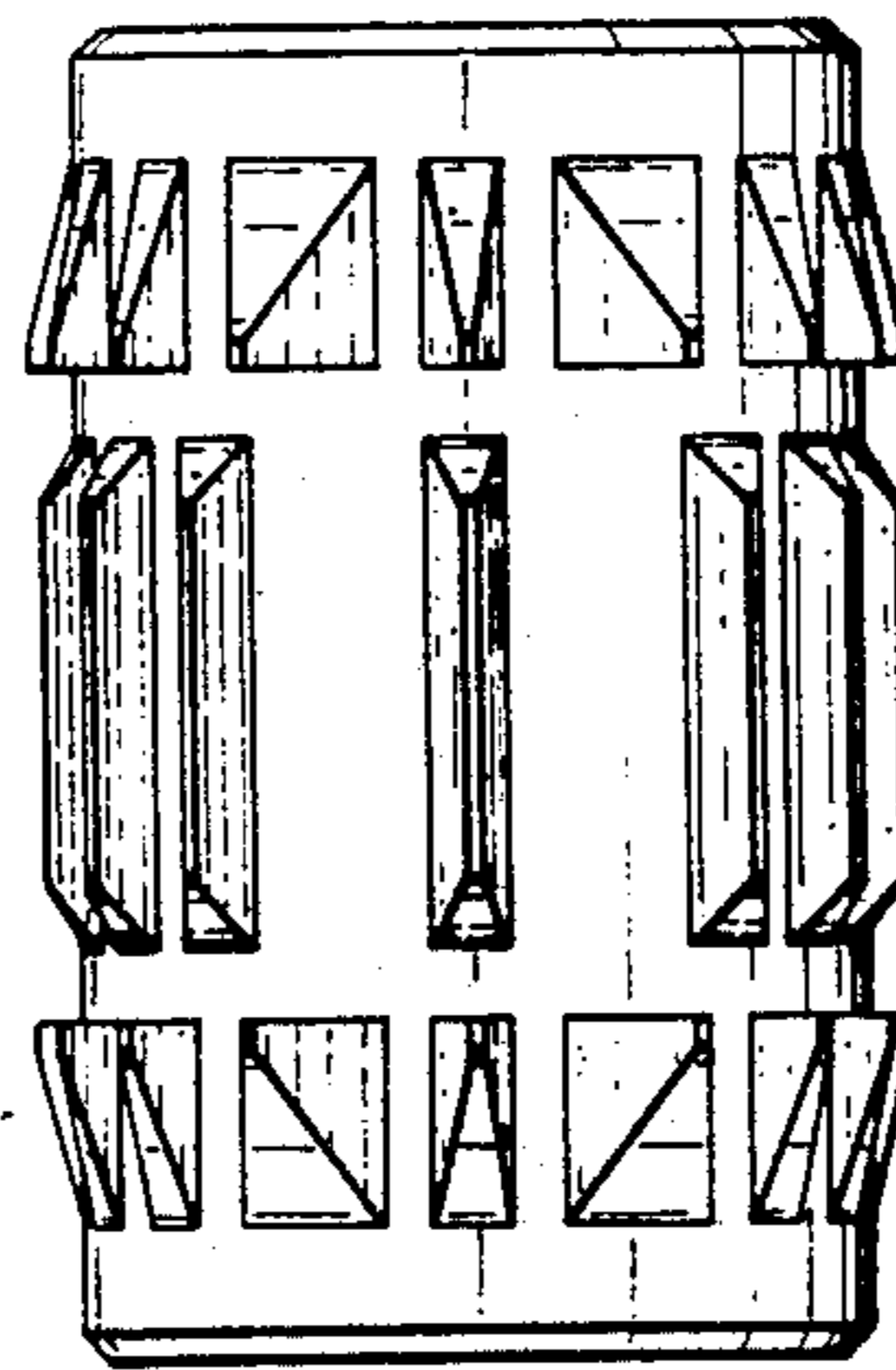


Fig. 3.

