

[54] SCREW-THREADED INSERT

[75] Inventors: Stephen R. Bullen, Honeybourne, nr. Evesham; Paul M. Dunn; Martin A. Phillips, both of Redditch, all of England

[73] Assignee: Dynacast International Limited, England

[**] Term: 14 Years

[21] Appl. No.: 672,196

[22] Filed: Nov. 16, 1984

[30] Foreign Application Priority Data

May 18, 1984 [GB] United Kingdom 1019774
[52] U.S. Cl. D8/385
[58] Field of Search D8/382, 385; 411/180, 411/427

[56]

References Cited

U.S. PATENT DOCUMENTS

D. 228,340	9/1973	Jennings	D8/385
D. 262,863	2/1982	Barnsdale	D8/385
2,949,142	8/1960	Sumerak	411/180
3,240,679	9/1965	Walsh	411/180
4,046,181	9/1977	Barnsdale	411/180

Primary Examiner—B. J. Bullock
Attorney, Agent, or Firm—Larson and Taylor

[57]

CLAIM

The ornamental design for a screw-threaded insert, as shown.

DESCRIPTION

FIG. 1 is a front elevational view of a screw-threaded insert showing our new design, taken in the direction of arrow I of FIG. 3;
FIG. 2 is a bottom plan view thereof;
FIG. 3 is a top plan view thereof;
FIG. 4 is a sectional view taken in the direction of the arrows on line IV—IV of FIG. 3.

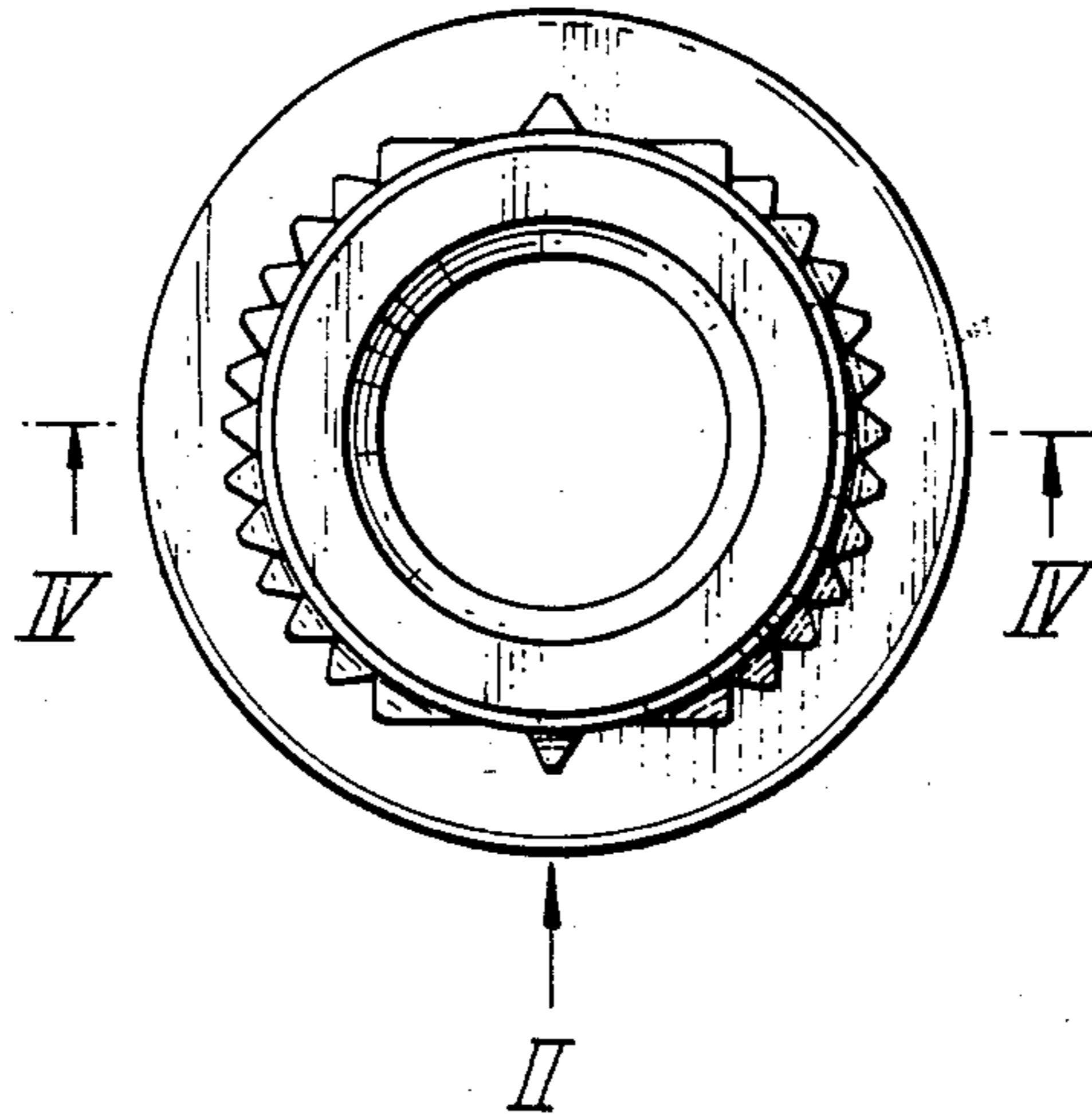


Fig. 2.

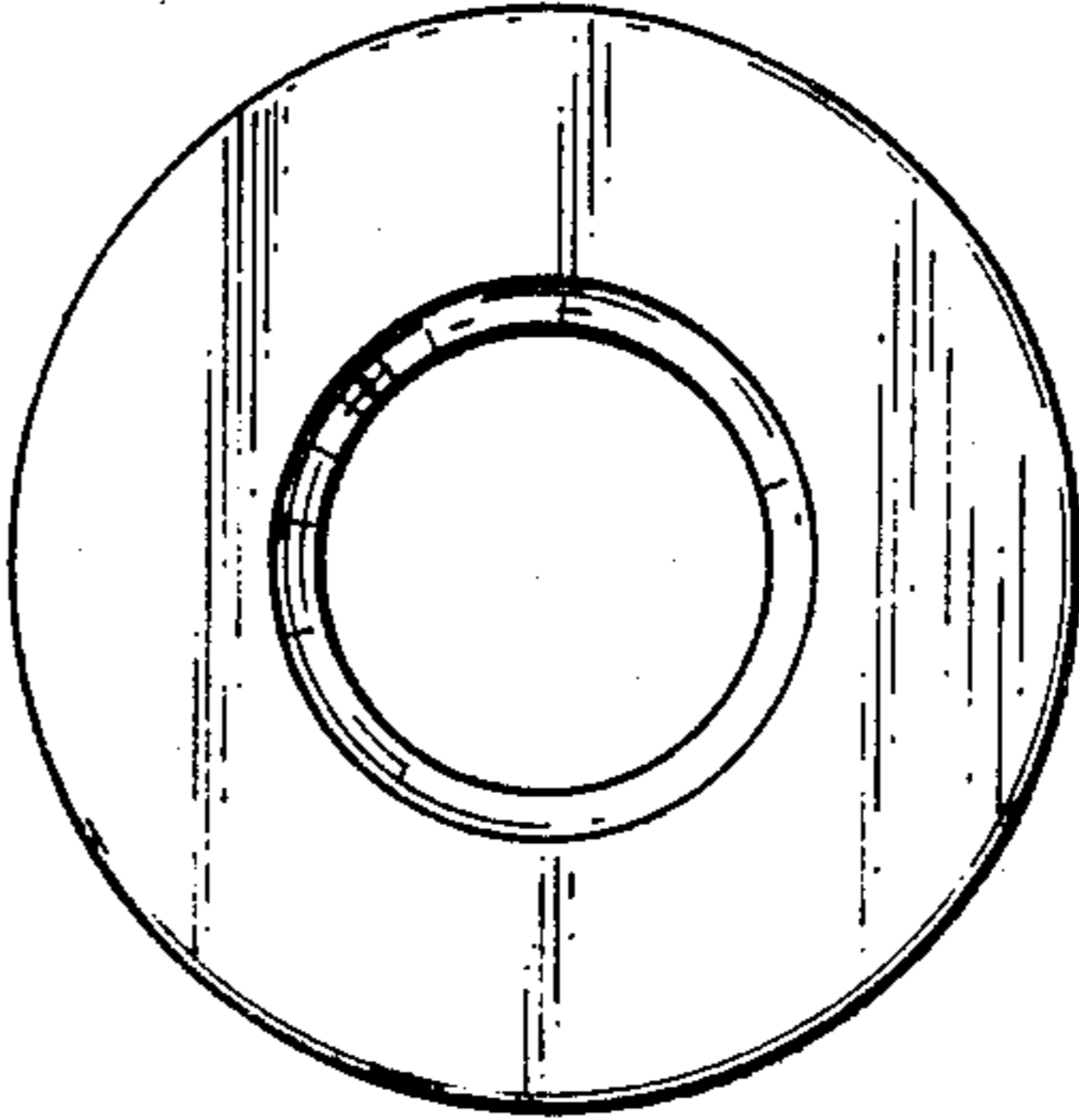


Fig. 4.

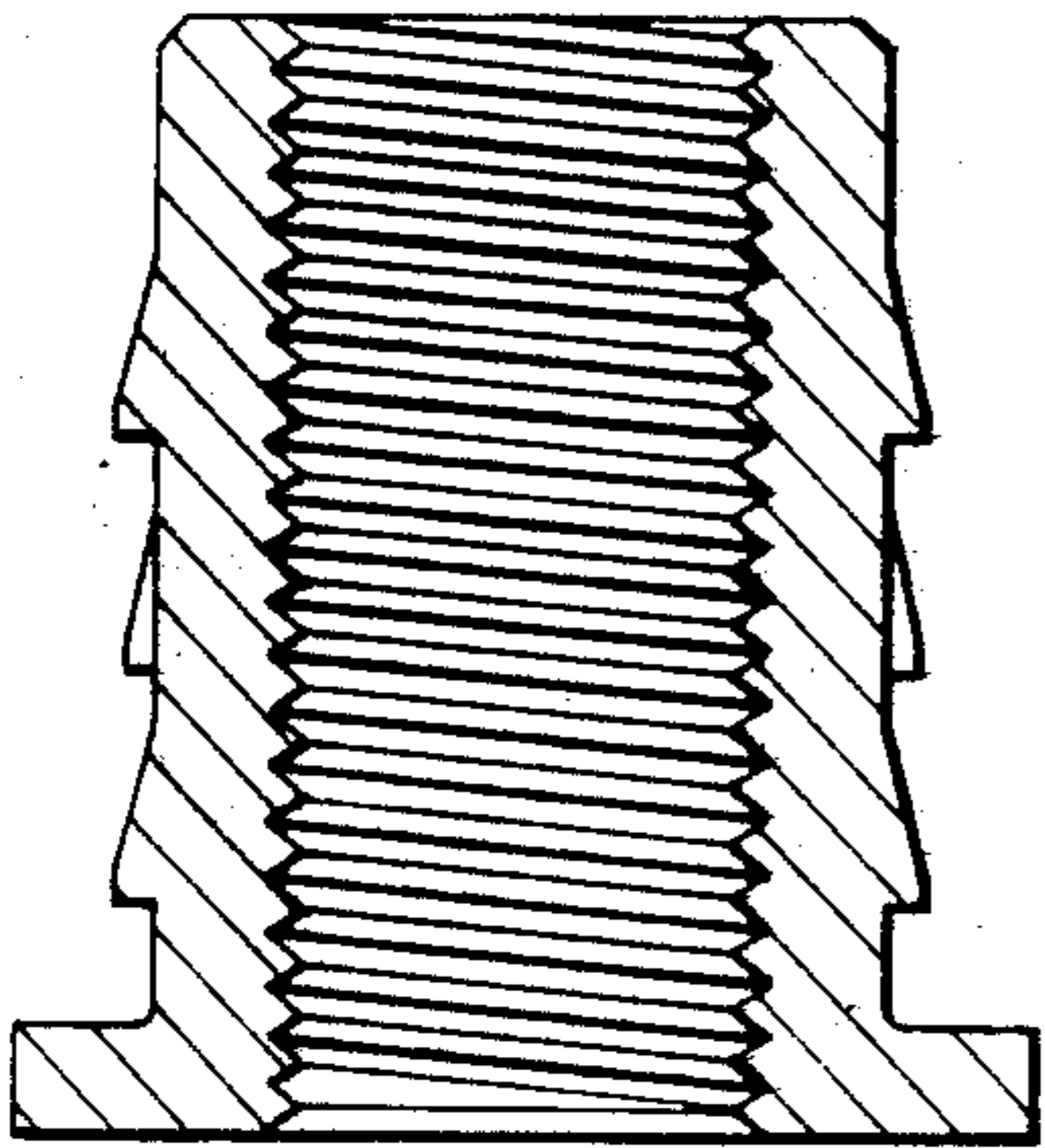


Fig. 1.

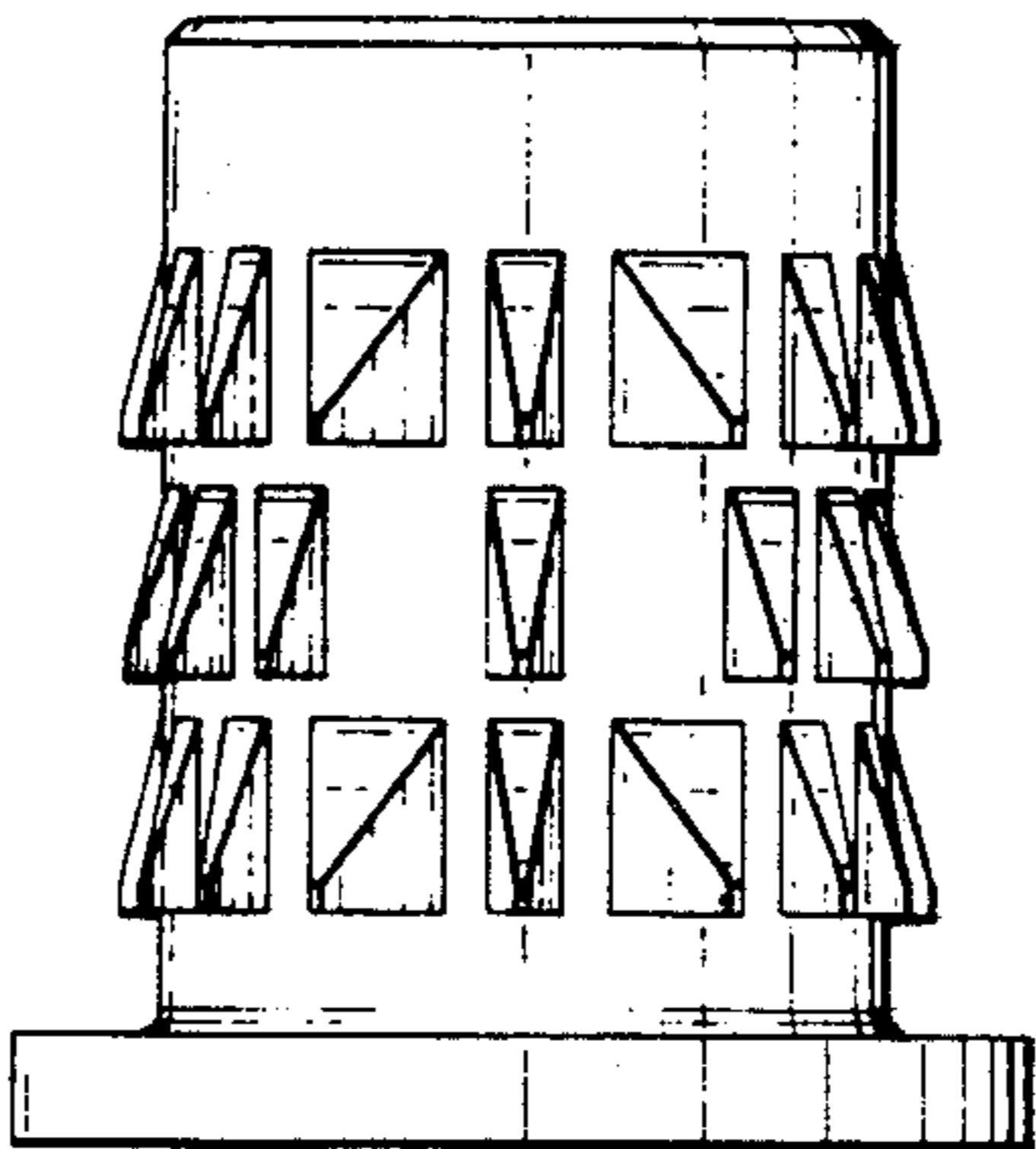


Fig. 3.

