

[54] **SCREW-THREADED INSERT**

[75] **Inventors:** Stephen R. Bullen, Honeybourne, Nr. Evesham; Paul M. Dunn; Martin A. Phillips, both of Redditch, all of England.

[73] **Assignee:** Dynacast International Limited, England

[**] **Term:** 14 Years

[21] **Appl. No.:** 672,140

[22] **Filed:** Nov. 16, 1984

[30] **Foreign Application Priority Data**

May 18, 1984 [GB]	United Kingdom	1019772
[52] U.S. Cl.		D8/385
[58] Field of Search	D8/382, 385; 411/180,	411/427

[56] **References Cited**

U.S. PATENT DOCUMENTS

D. 228,340	9/1973	Jennings	D8/385
D. 262,863	2/1982	Barnsdale	D8/385
2,949,142	8/1960	Somerak	411/180
3,204,679	9/1965	Walsh	411/180
4,046,181	9/1977	Barnsdale	411/180

Primary Examiner—B. J. Bullock
Attorney, Agent, or Firm—Larson and Taylor

[57] **CLAIM**

The ornamental design for a screw-threaded insert, as shown.

DESCRIPTION

FIG. 1 is a front elevational view of a screw-threaded insert showing our new design, taken in the direction of arrow I of FIG. 3;

FIG. 2 is a bottom plan view thereof;

FIG. 3 is a top plan view thereof;

FIG. 4 is a sectional view taken in the direction of the arrows on line IV—IV of FIG. 3.

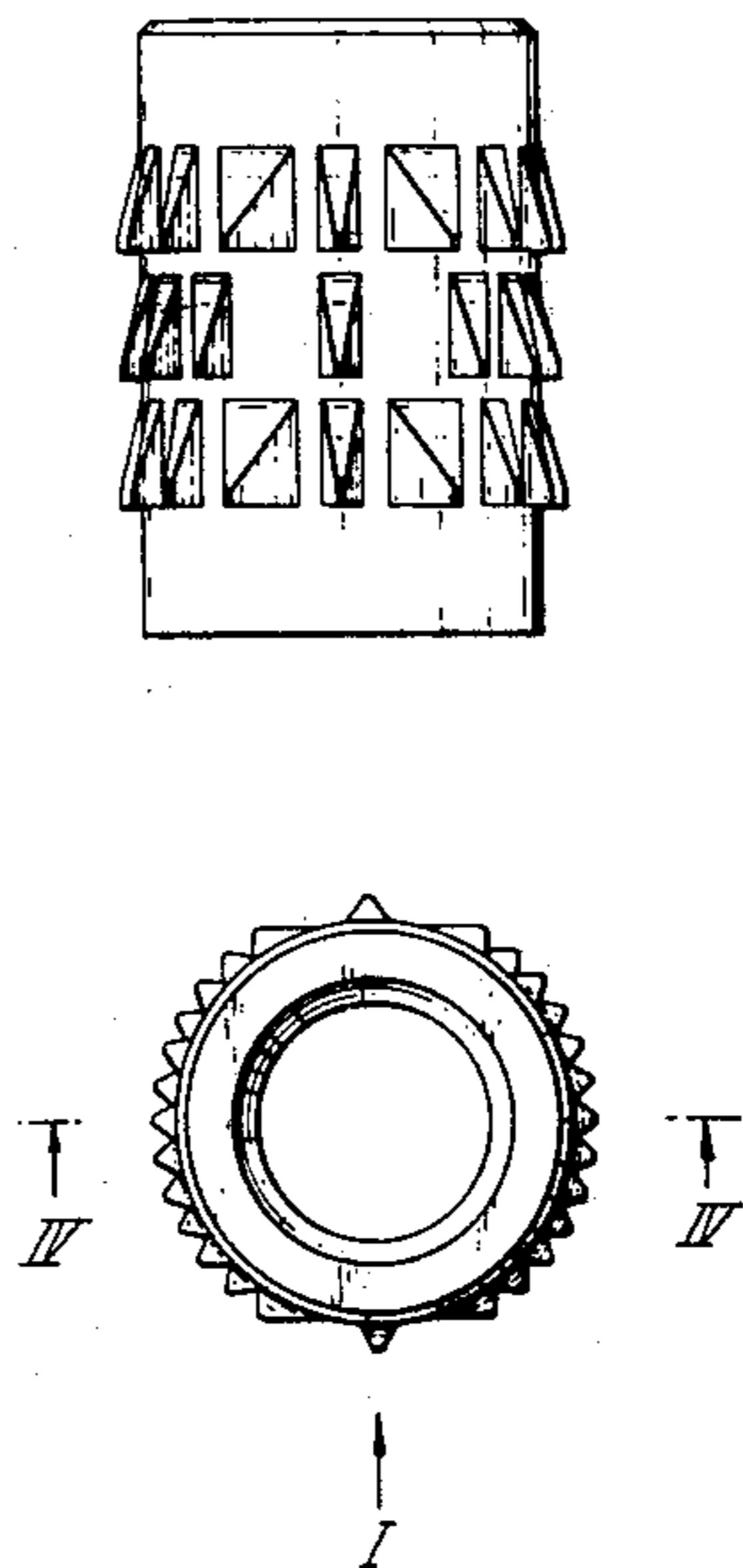


Fig. 2.

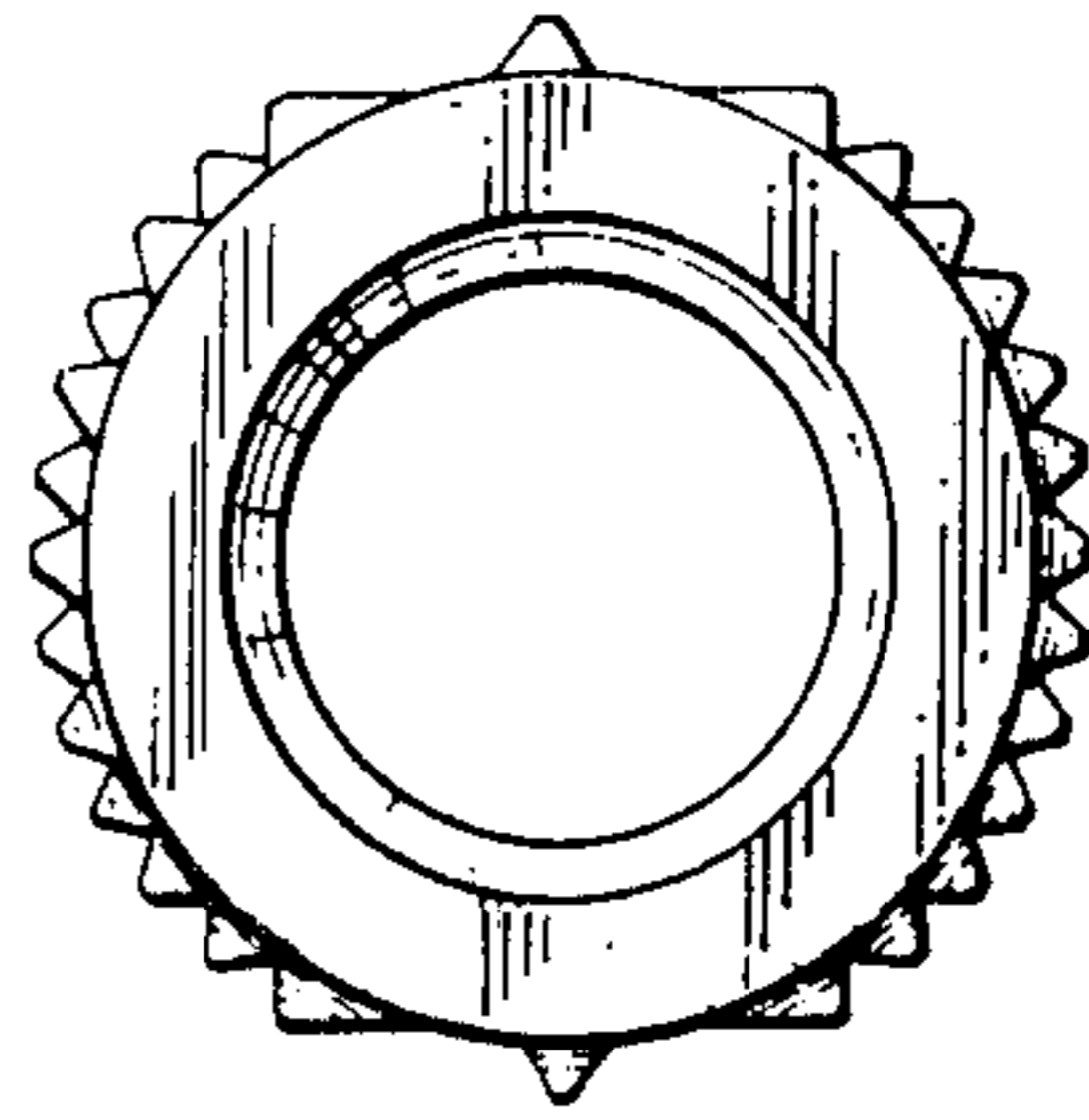


Fig. 4.

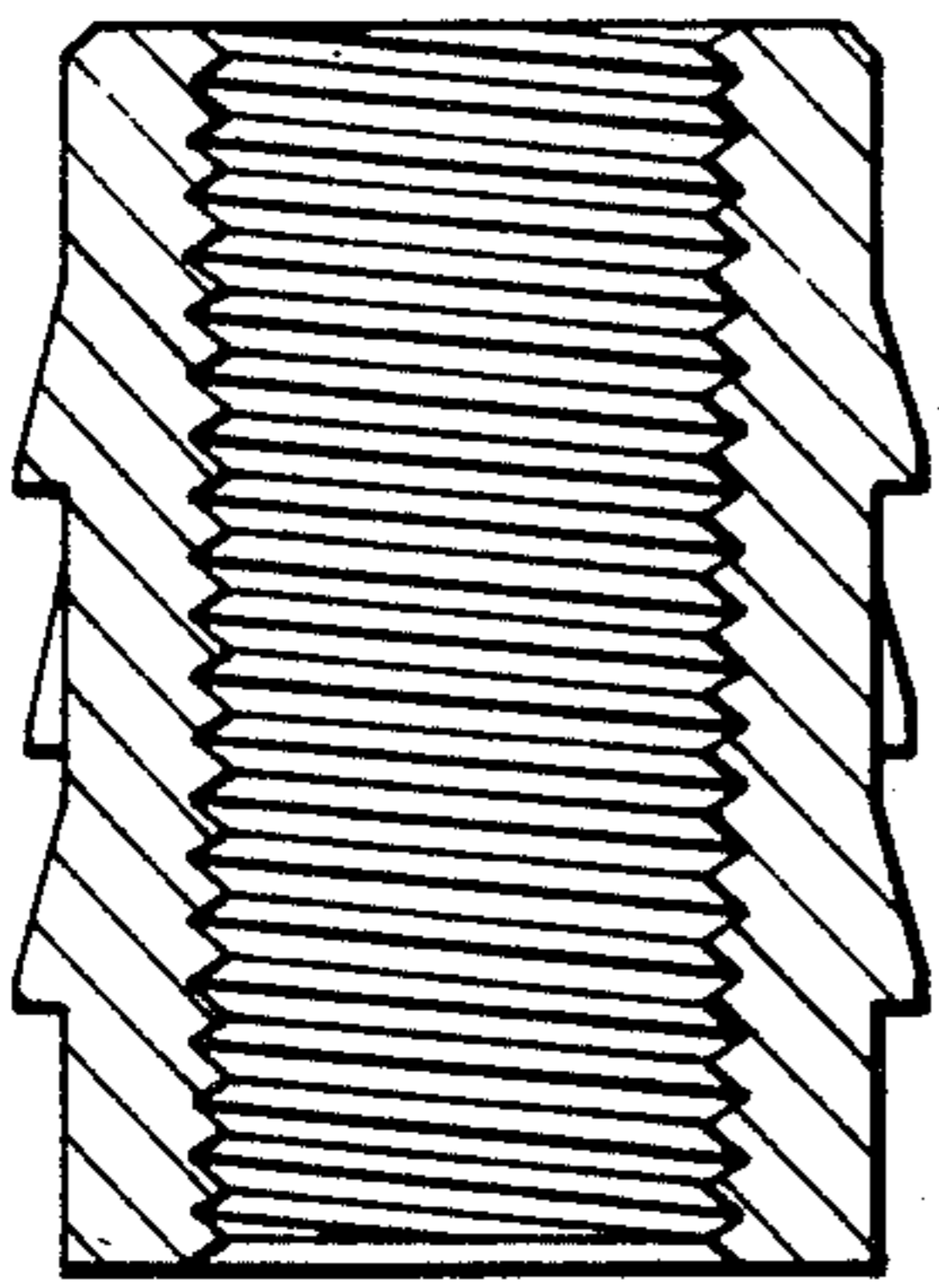


Fig. 1.

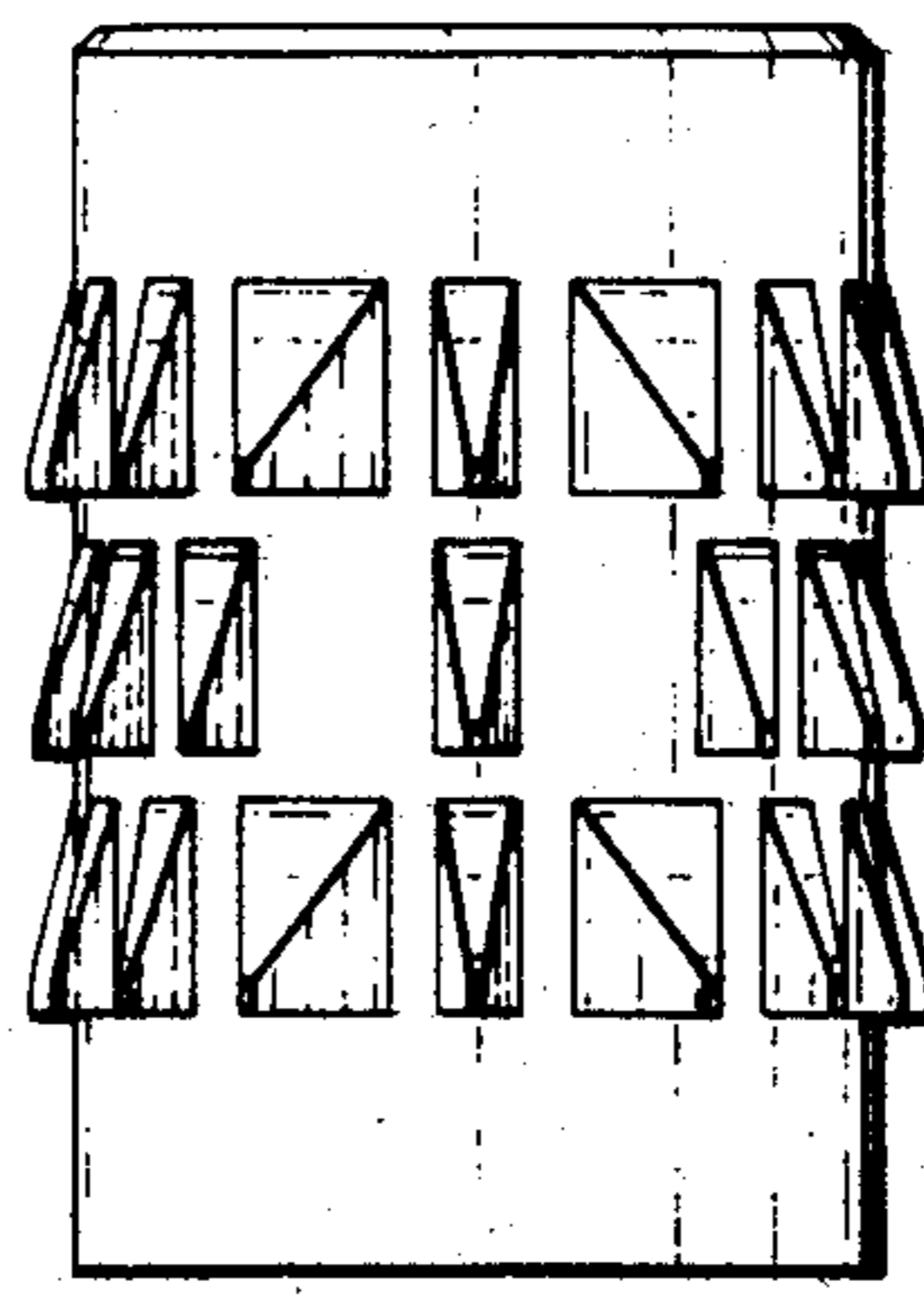


Fig. 3.

