

[54] **KNIFE BLADE SHARPENER OR THE LIKE**

[75] **Inventor: Donald R. Johannsen, Dearborn, Mich.**

[73] **Assignee: Bonnis S. Carris, Detroit, Mich.**

[**] **Term: 14 Years**

[21] **Appl. No.: 570,583**

[22] **Filed: Jan. 13, 1984**

[52] **U.S. Cl. D8/93**

[58] **Field of Search D8/91-93,
D8/35, 63, 71; 269/3; 76/82, 82.2, 84, 86, 88;
51/221 BS, 221 R, 69**

[56] **References Cited**

U.S. PATENT DOCUMENTS

657,619	9/1900	Rosler	51/69
3,733,933	5/1973	Longbrake	.
3,819,170	6/1974	Longbrake	.
4,070,929	1/1978	Risher	51/221 BS X
4,170,343	10/1979	Longbrake	.
4,320,892	3/1982	Longbrake	.
4,404,873	9/1983	Radish	.
4,441,279	4/1984	Storm et al.	51/221 BS X
4,538,382	9/1985	Johannsen	51/69

FOREIGN PATENT DOCUMENTS

542199 12/1941 United Kingdom 51/221 BS

OTHER PUBLICATIONS

Popular Science, 6/1982, p. 76, Loray Knife Sharpener, top of page.

LS Lansky Sharpeners-1982, by Arthur Lansky Le Vine & Associates, Inc.

LS Lansky Sharpeners-"The Sharpest Investment You May Ever Make!" 1982, by Arthur Lansky Le Vine & Associates, Inc.

LS Lansky Sharpeners-"Help You Coming and Going"-1 page.

E-Z Sharp Knife Sharpener Model '80-E-Z Sharp Model '80, Rossville, IL.

LS Lansky Sharpener System-"The Art of Getting A Perfect Edge Everytime With Your LS Lansky Sharpener System".

"Thank You-and Congratulations" You Now Own the Simple System for Precision Knife Sharpening . . . Enjoy It!-1 page.

Primary Examiner-Susan J. Lucas

Assistant Examiner-C. E. Heflin

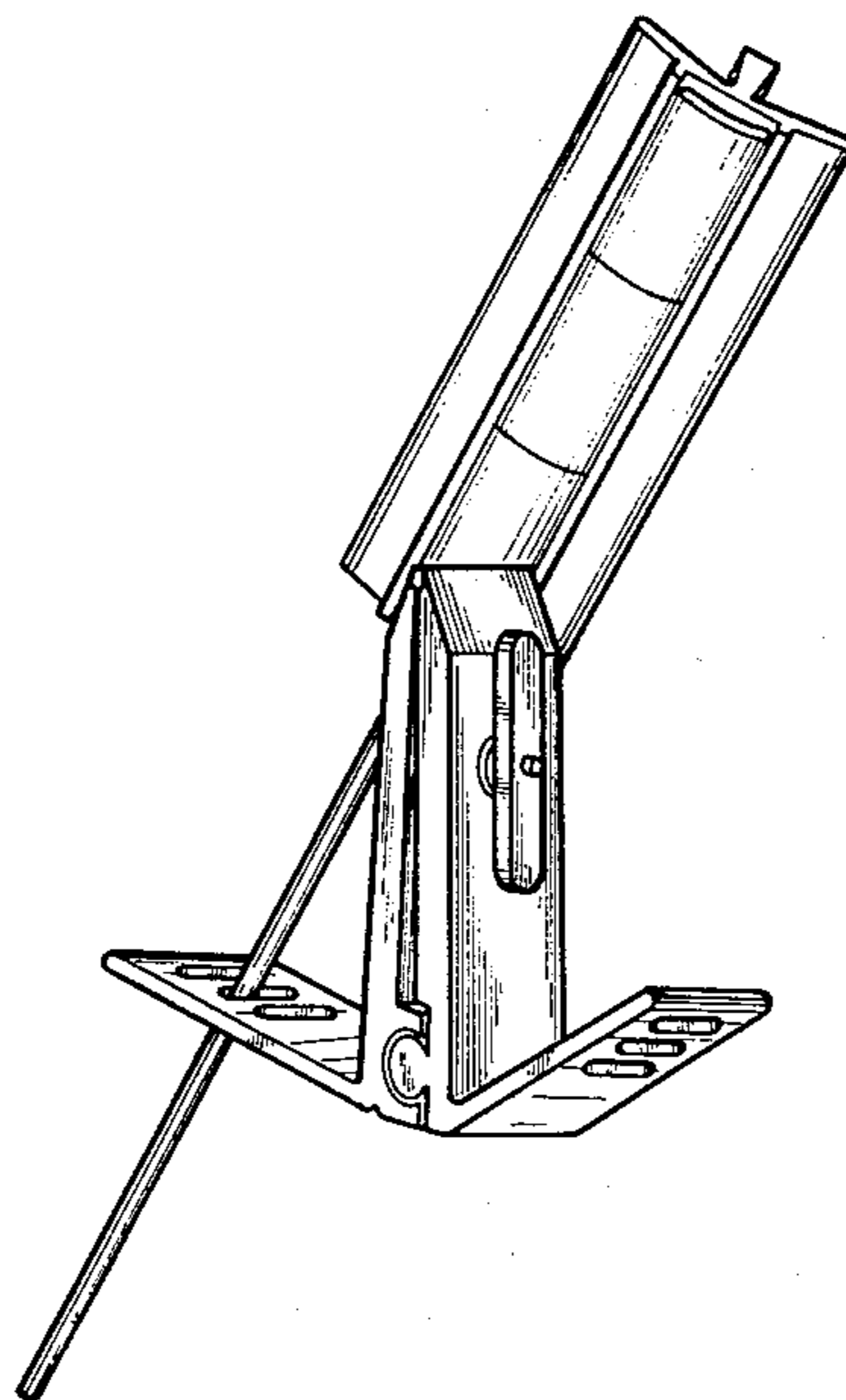
Attorney, Agent, or Firm-Harness, Dickey & Pierce

[57] **CLAIM**

The ornamental design for a knife blade sharpener or the like, substantially as shown and described.

DESCRIPTION

FIG. 1 is a perspective view of an apparatus for sharpening a knife blade or the like showing my new design; FIG. 2 is a top view thereof; FIG. 3 is a first end view thereof; FIG. 4 is a first side elevation view thereof; FIG. 5 is an opposite end view from that of FIG. 3; FIG. 6 is an opposite side elevation view from that of FIG. 4; and FIG. 7 is a bottom view thereof.



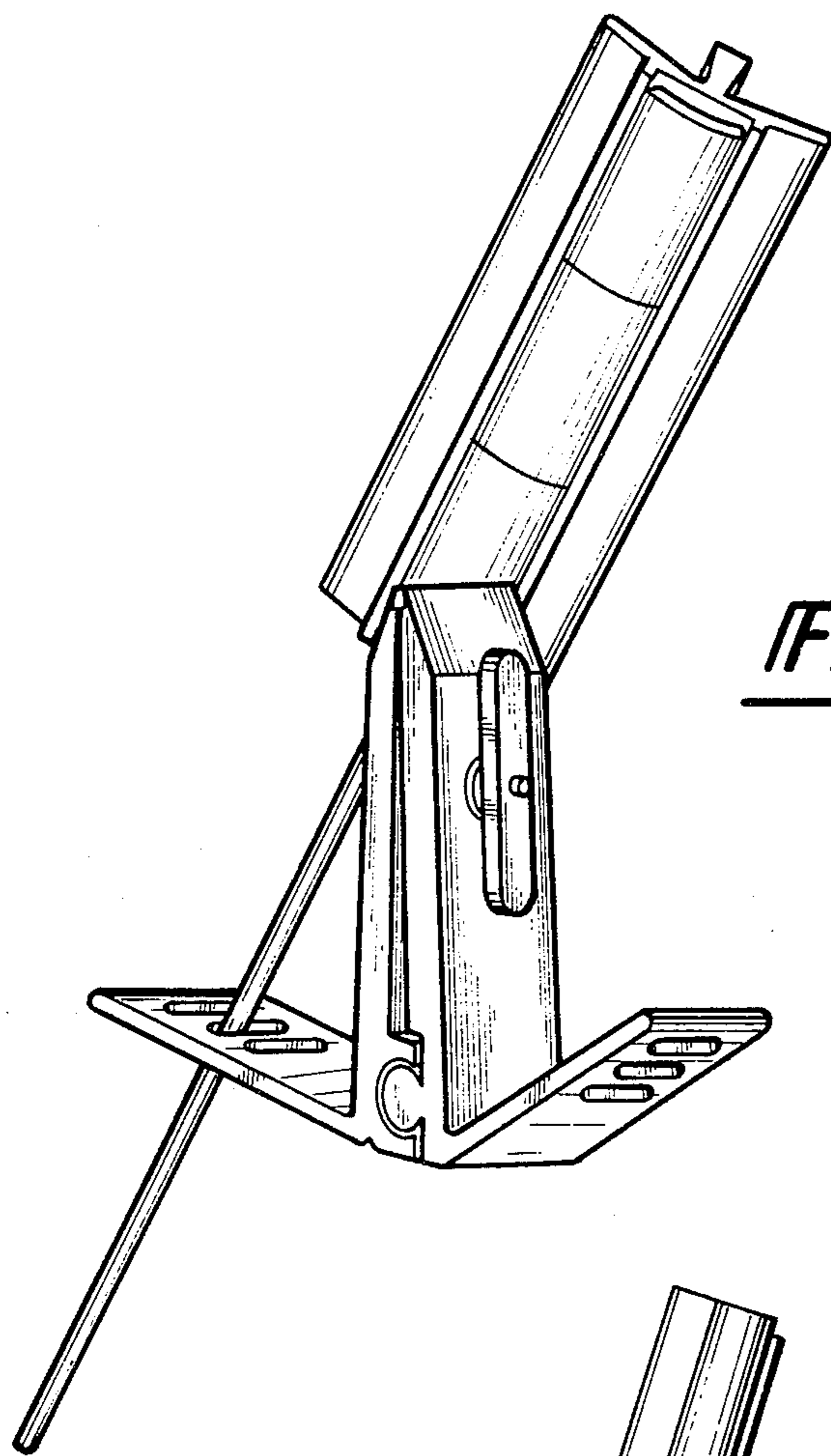


Fig-1

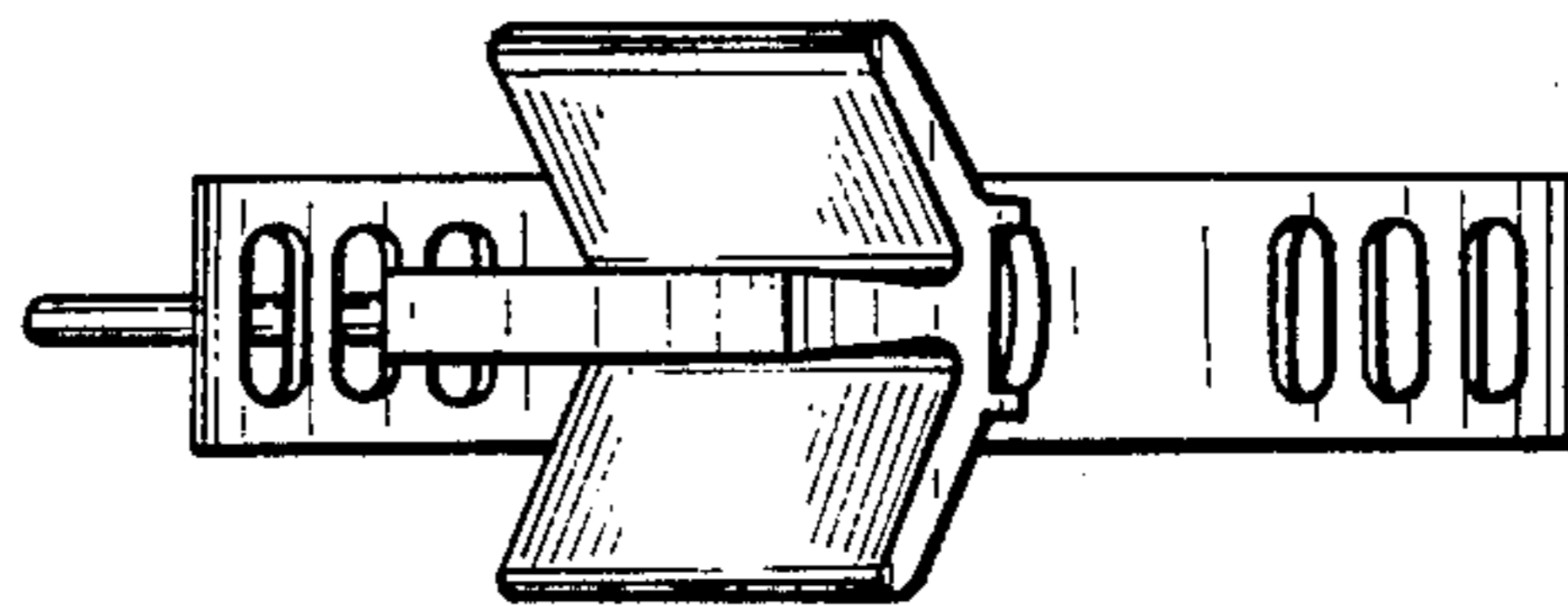


Fig-2

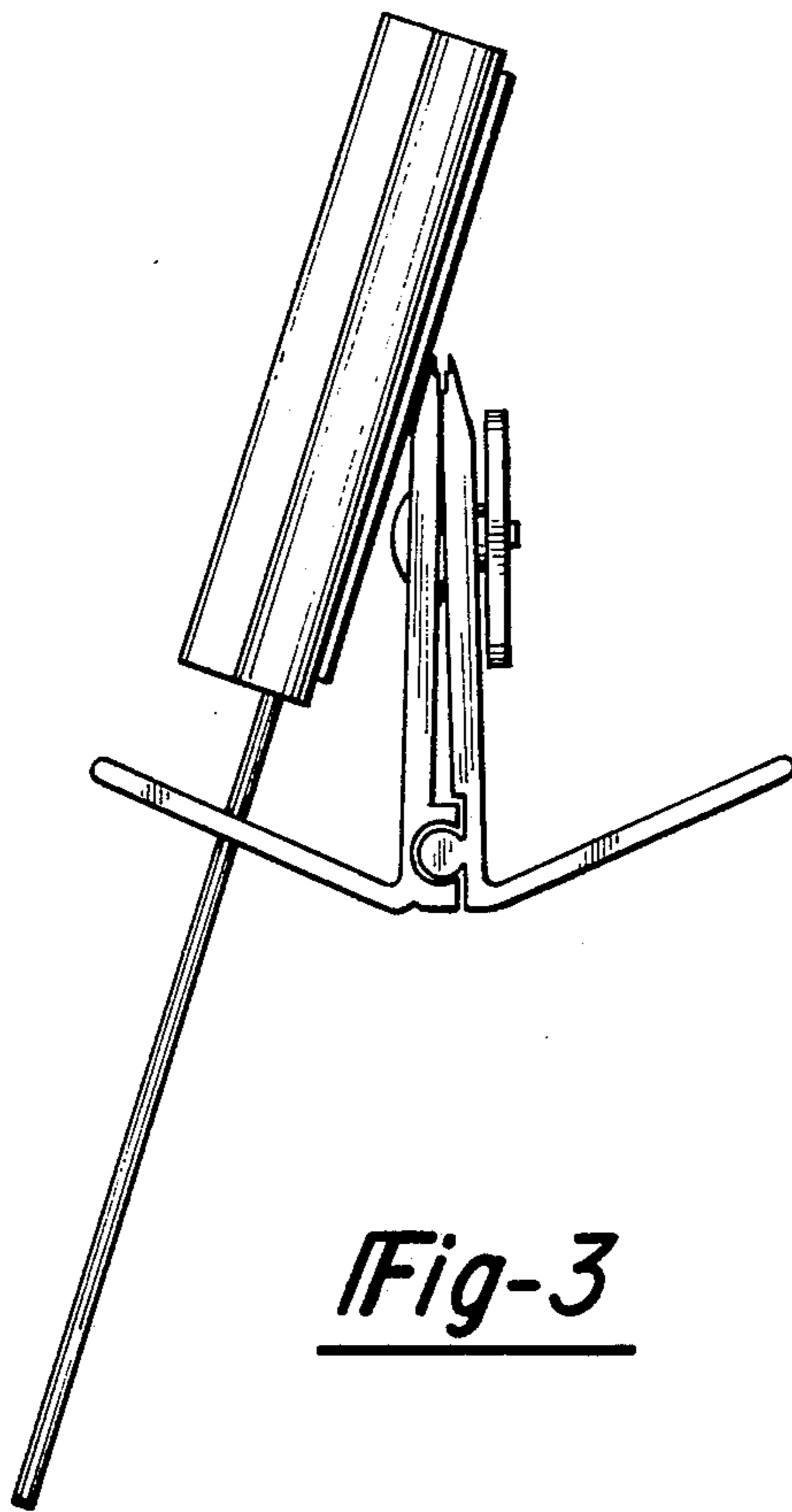


Fig-3

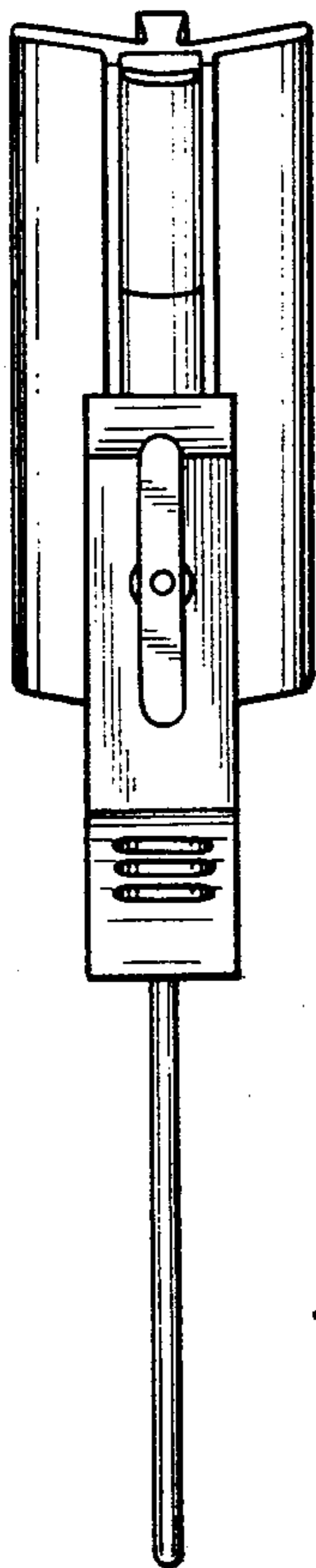


Fig-4

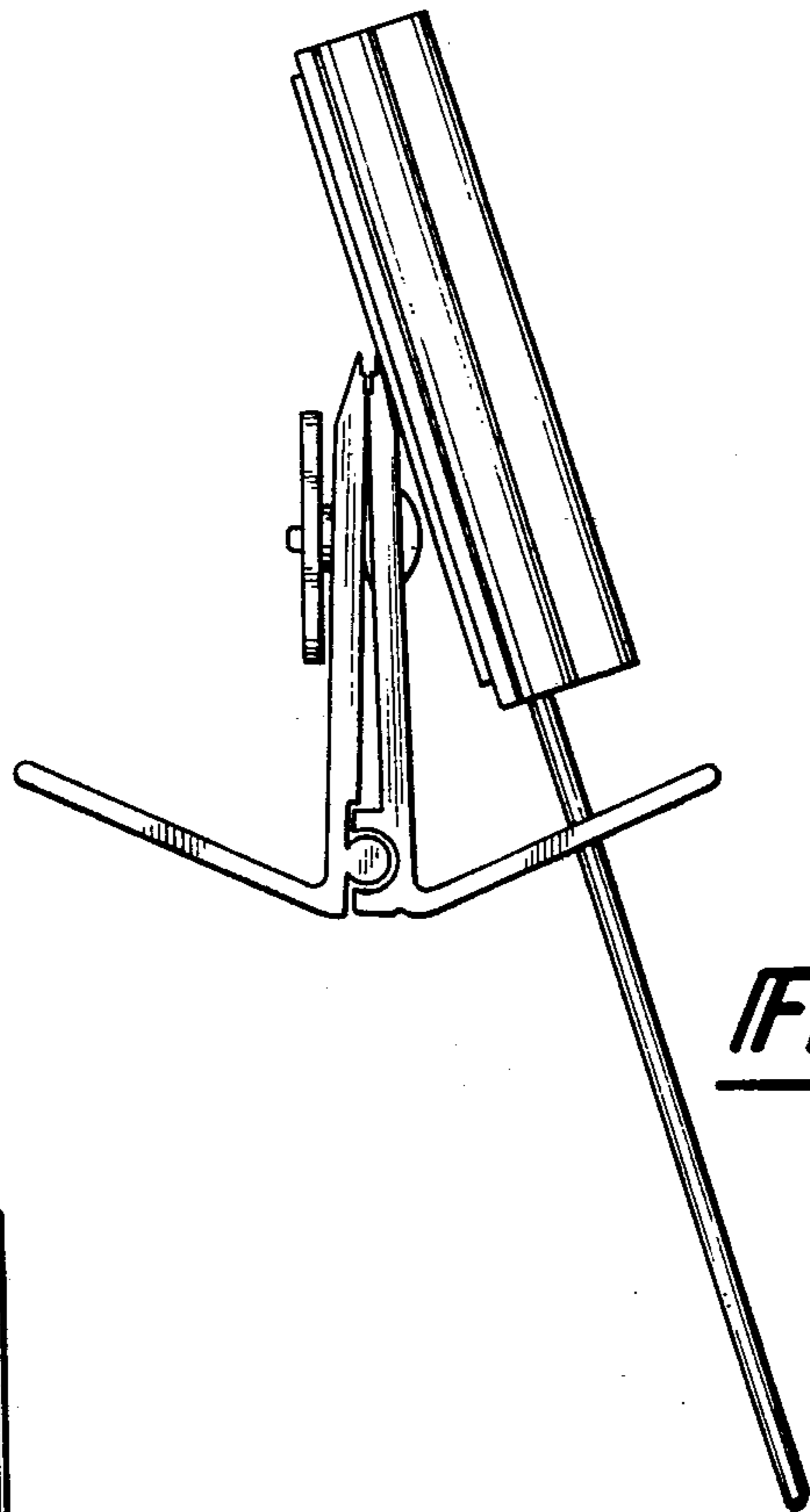


Fig-5

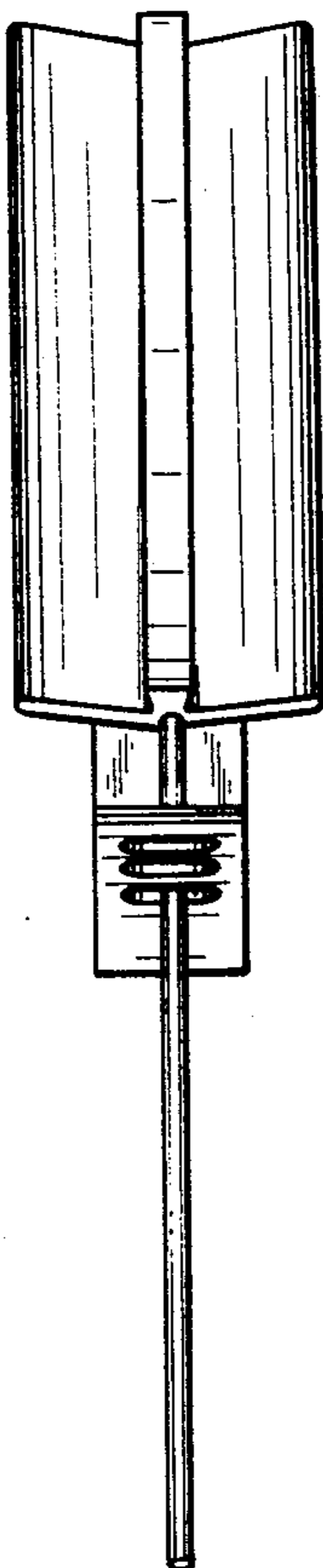


Fig-6

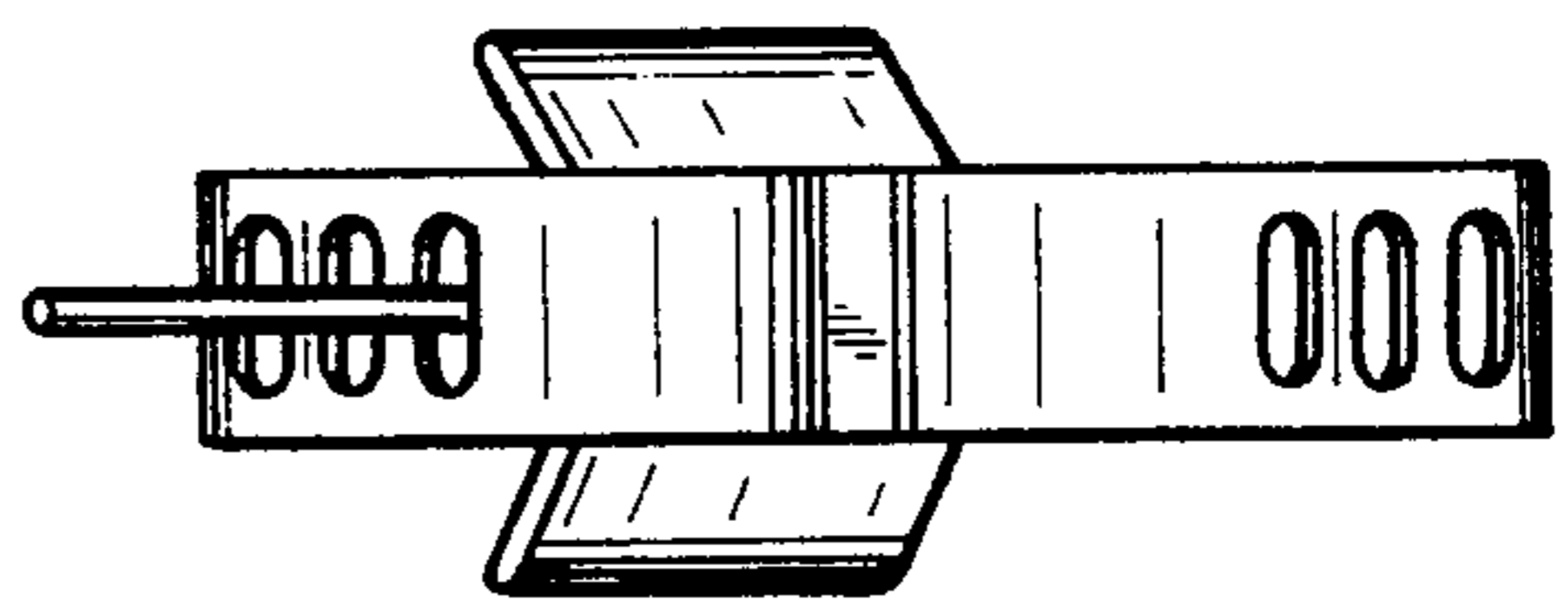


Fig-7