

United States Patent [19]

Hiraishi et al.

[11] Patent Number: **Des. 287,814**

[45] Date of Patent: **** Jan. 20, 1987**

[54] **ELECTRIC DRILL**

3,908,139 9/1975 Duncan, Jr. 173/163 X
4,081,704 3/1978 Vassos et al. 173/163 X

[75] Inventors: **Etsuo Hiraishi; Tetsuyuki Doi;
Hiroshi Morikawa, all of Hiroshima,
Japan**

[73] Assignee: **Ryobi Ltd., Hiroshima, Japan**

[**] Term: **14 Years**

[21] Appl. No.: **579,051**

[22] Filed: **Feb. 10, 1984**

[30] **Foreign Application Priority Data**

Aug. 20, 1983 [JP] Japan 58-36385

[52] U.S. Cl. **D8/67; D8/68**

[58] Field of Search **D8/61-69,
D8/70; 173/163, 170; 408/124; 81/54, 57.11**

[56] **References Cited**

U.S. PATENT DOCUMENTS

D. 57,576 4/1921 Black et al. D8/67
3,077,547 2/1963 Metko 173/170 X
3,244,030 4/1966 Godfrey 408/124 X

OTHER PUBLICATIONS

WEN Advertising Mailer, Model 955, $\frac{1}{2}$ " Heavy Duty Drill.

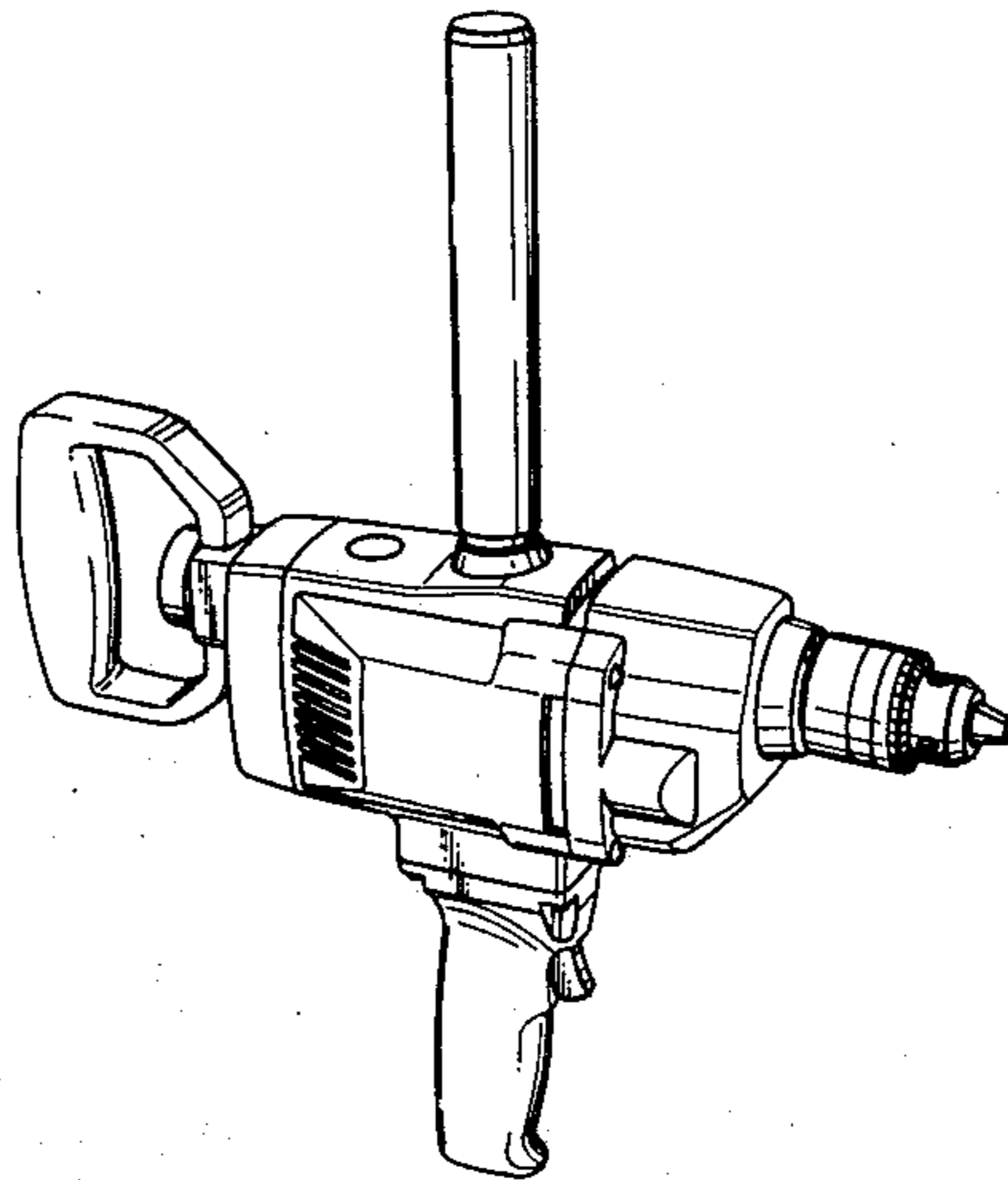
Primary Examiner—Susan J. Lucas
Assistant Examiner—C. E. Heflin
Attorney, Agent, or Firm—Sughrue, Mion, Zinn,
Macpeak and Seas

[57] **CLAIM**

The ornamental design for an electric drill, as shown.

DESCRIPTION

FIG. 1 is a left side elevational view of an electric drill showing our new design;
FIG. 2 is a right side elevational view thereof;
FIG. 3 is a front elevational view thereof;
FIG. 4 is a rear elevational view thereof;
FIG. 5 is a top plan view thereof;
FIG. 6 is a bottom plan view thereof; and
FIG. 7 is a front, top and left side perspective view thereof.



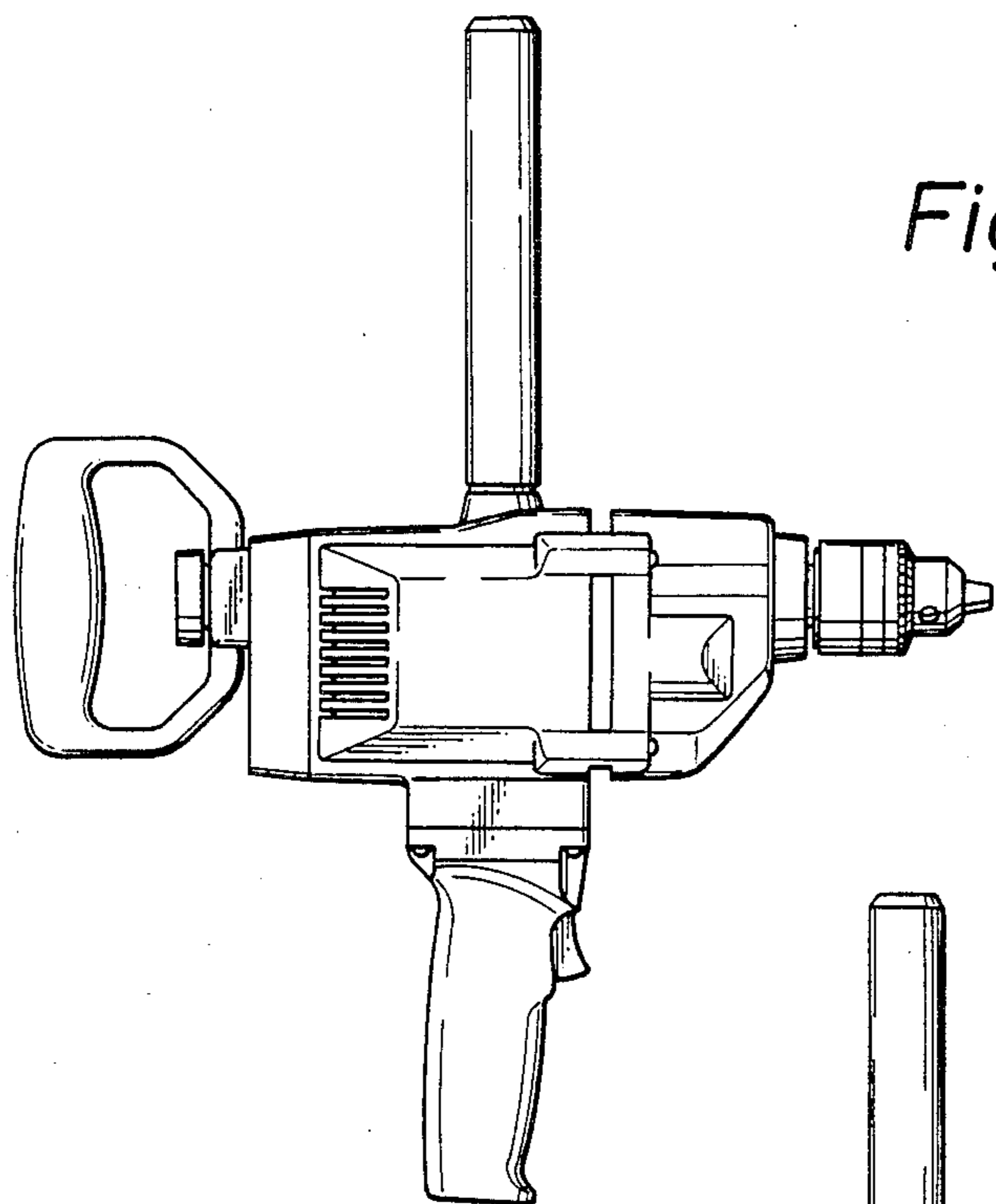


Fig. 1

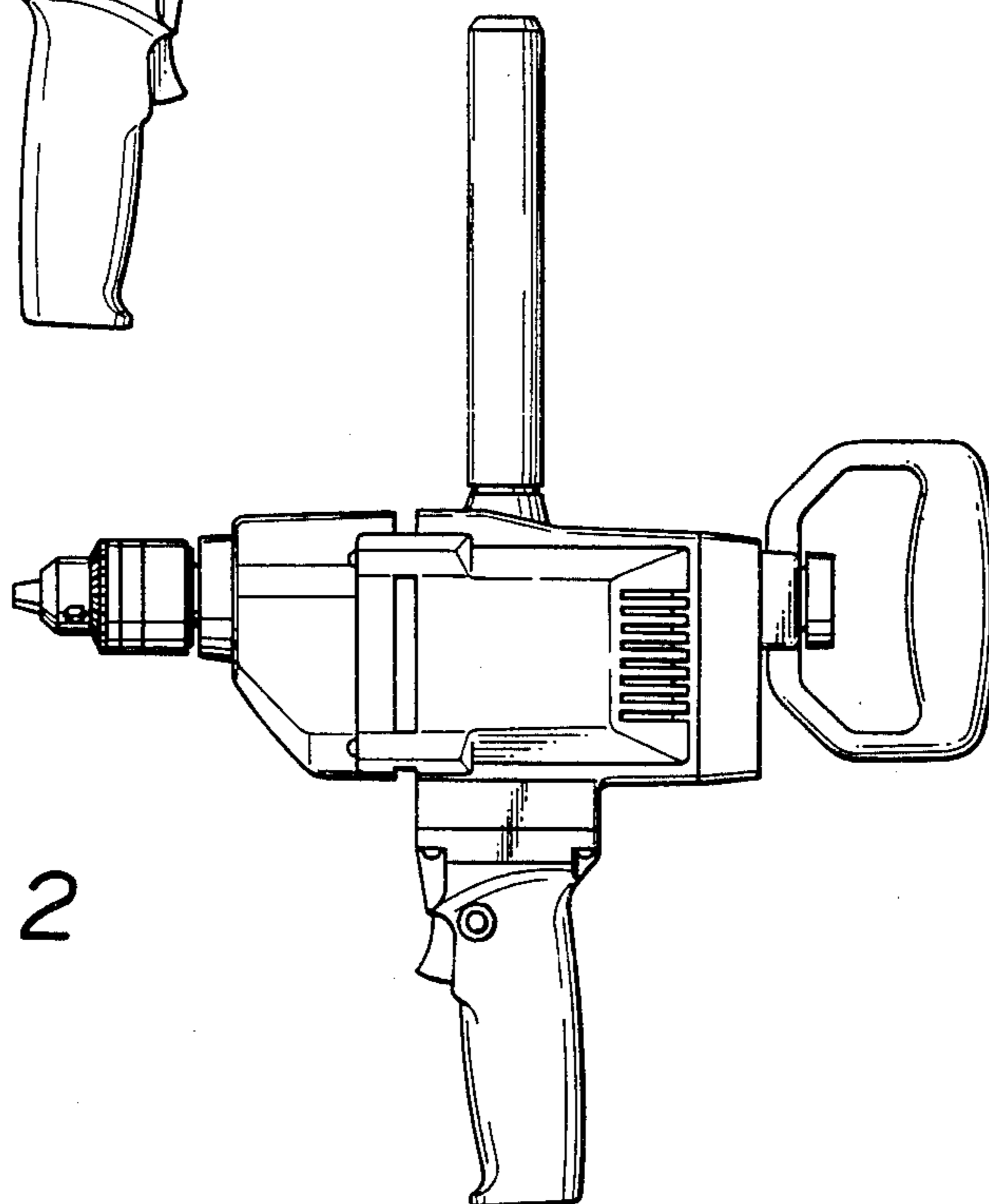


Fig. 2

Fig. 3

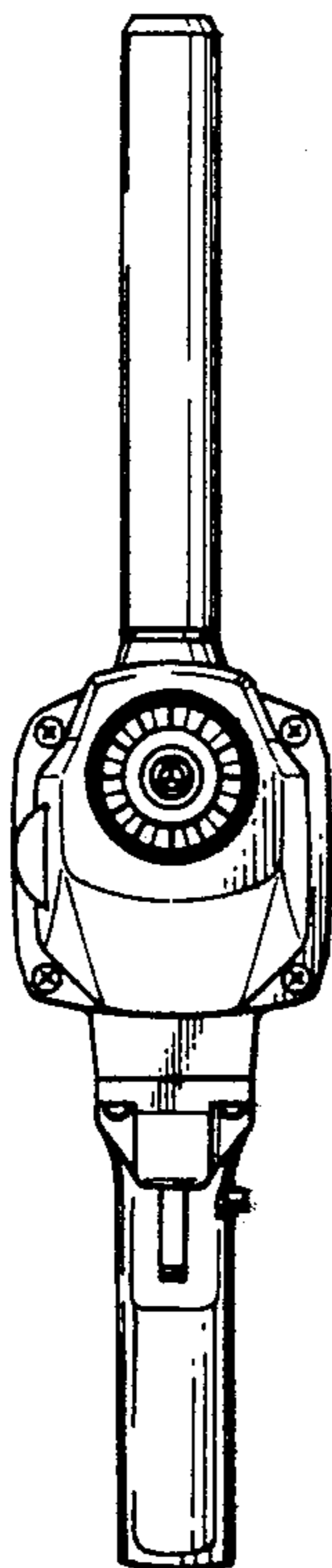


Fig. 4

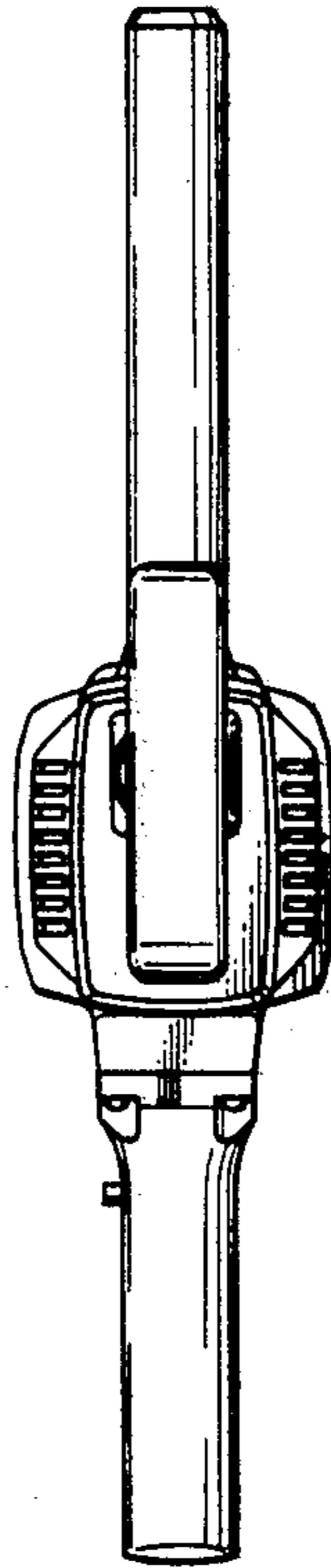


Fig. 5

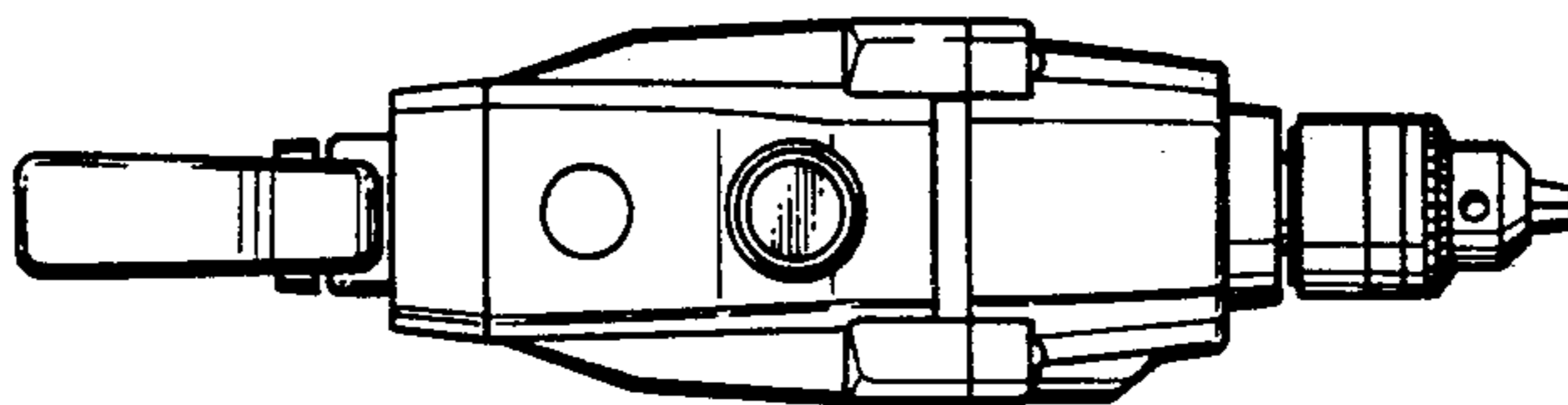


Fig. 6

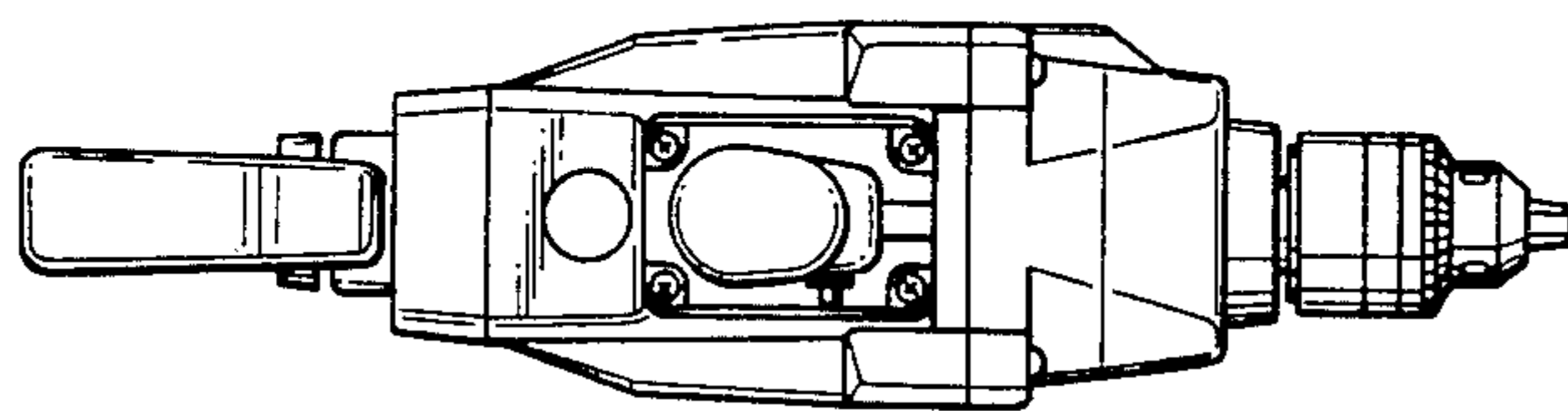


Fig. 7

