

[54] SAFETY BOTTLE CAP REMOVER

[75] Inventors: Frank Bordonaro, Saddlebrook;
James McTiernan, Woodcliff Lake,
both of N.J.

[73] Assignee: Hoffmann-La Roche Inc., Nutley,
N.J.

[**] Term: 14 Years

[21] Appl. No.: 589,618

[22] Filed: Mar. 14, 1984

[52] U.S. Cl. D8/40; D8/18

[58] Field of Search D8/18, 33, 34, 40, 43;
81/3.55, 3.57

[56] References Cited

U.S. PATENT DOCUMENTS

D. 261,854 11/1981 Nielsen D8/40

4,337,678 7/1982 Mumford 81/3.4

Primary Examiner—Bernard Ansher
Assistant Examiner—Terry Pfeffer
Attorney, Agent, or Firm—Jon S. Saxe; Bernard S. Leon

[57] CLAIM

The ornamental design for a safety bottle cap remover,
as shown and described.

DESCRIPTION

FIG. 1 is a front elevational view of a safety bottle cap
remover showing our new design;
FIG. 2 is a right side elevational view thereof;
FIG. 3 is a left side elevational view thereof;
FIG. 4 is a rear elevational view thereof;
FIG. 5 is a top plan view thereof;
FIG. 6 is a bottom plan view thereof; and
FIG. 7 is a cross-section taken along lines 7—7 in FIG.
4.

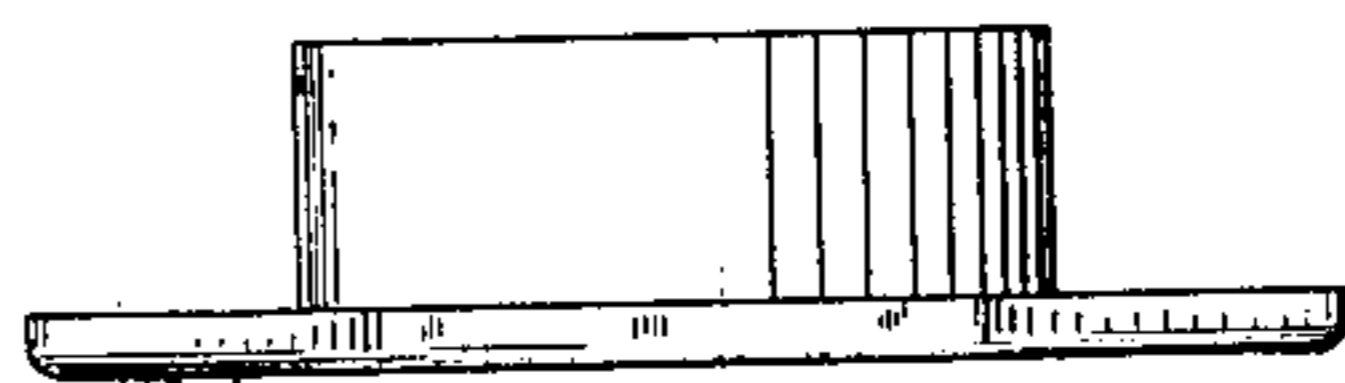
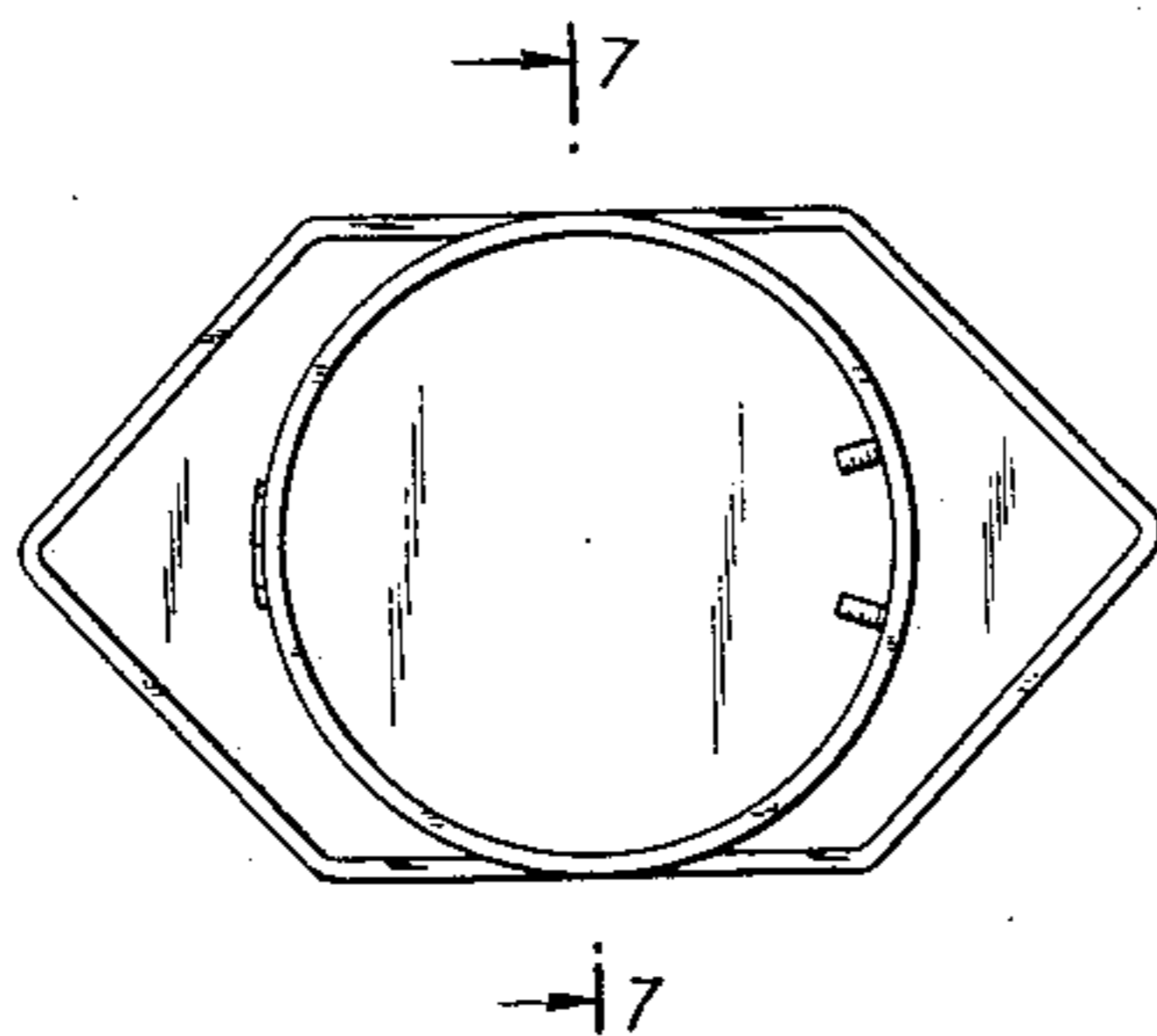
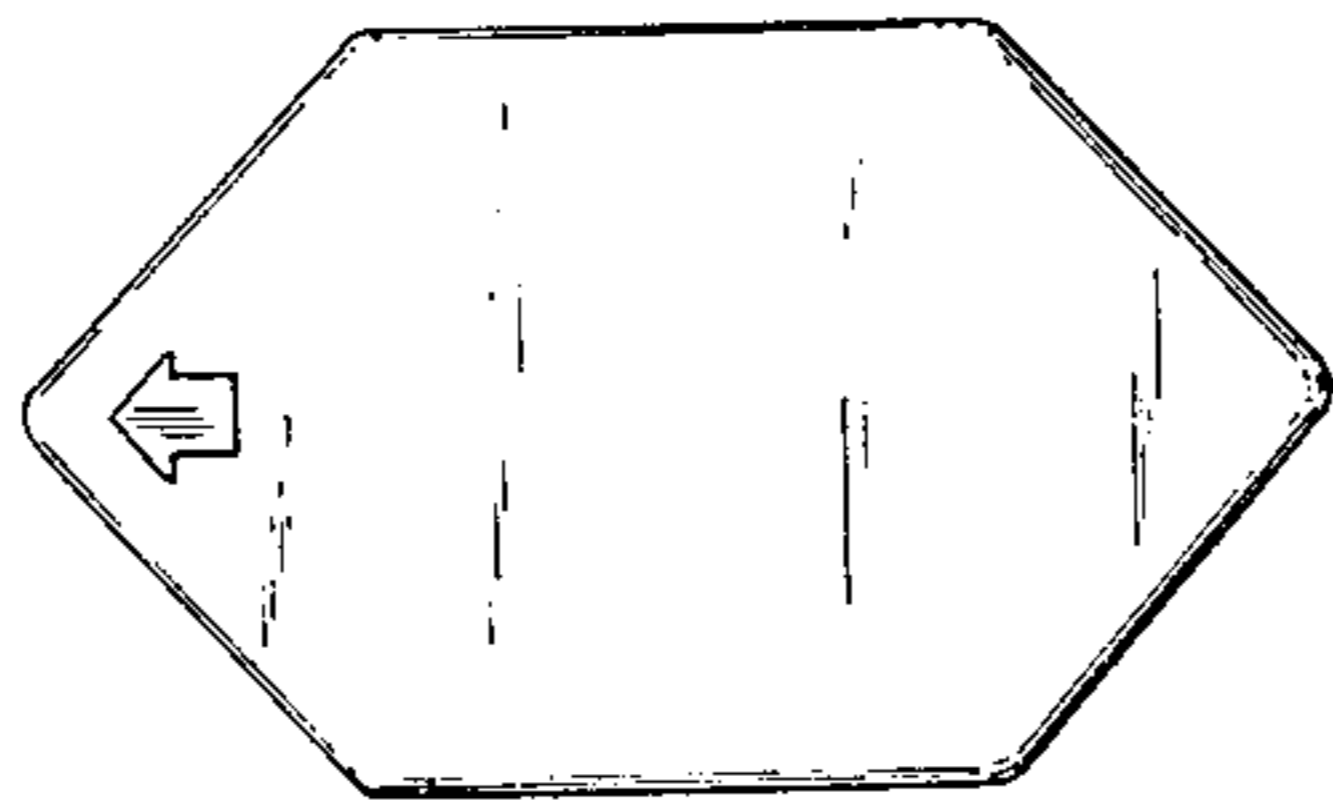


FIG. 1

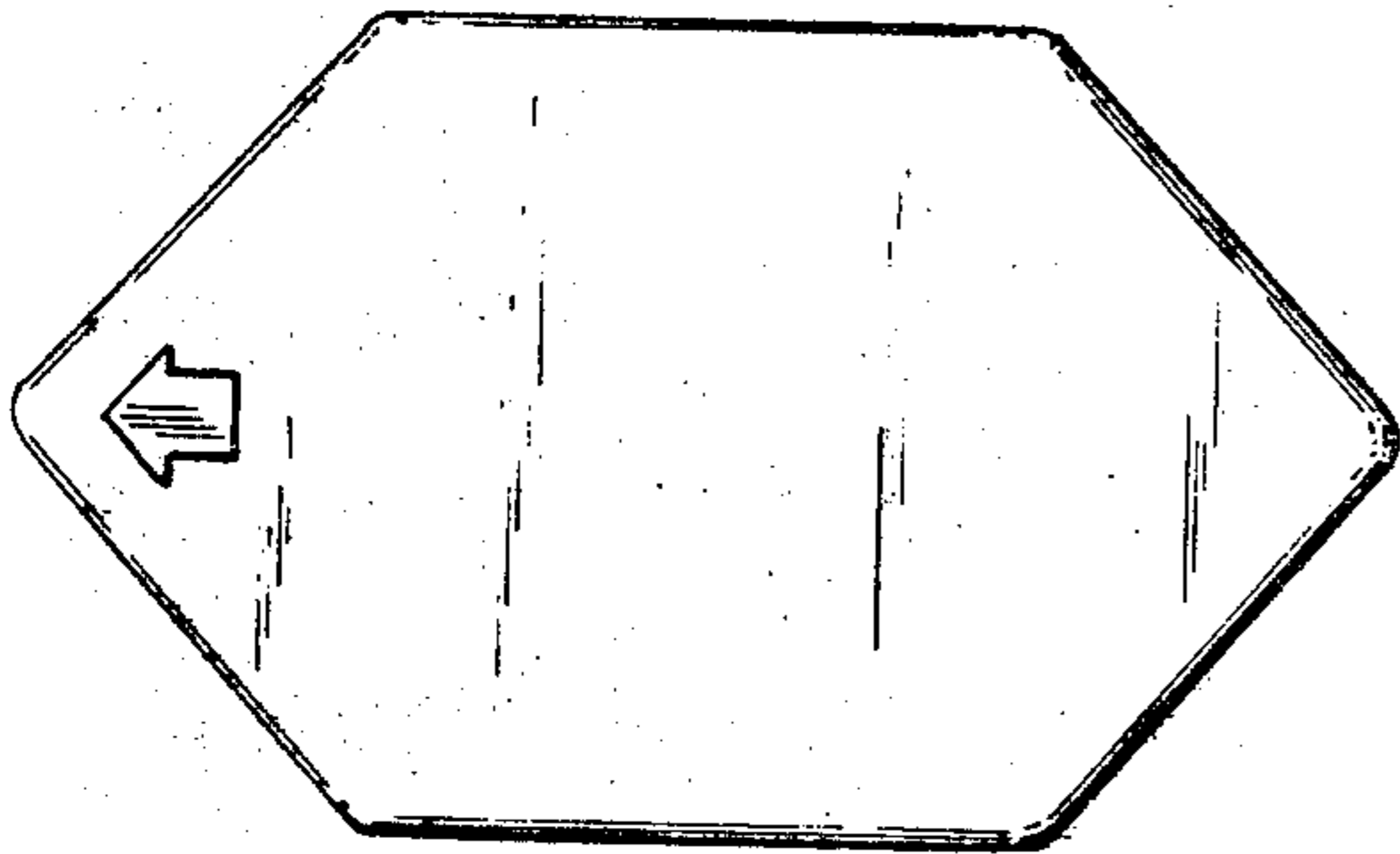


FIG. 2

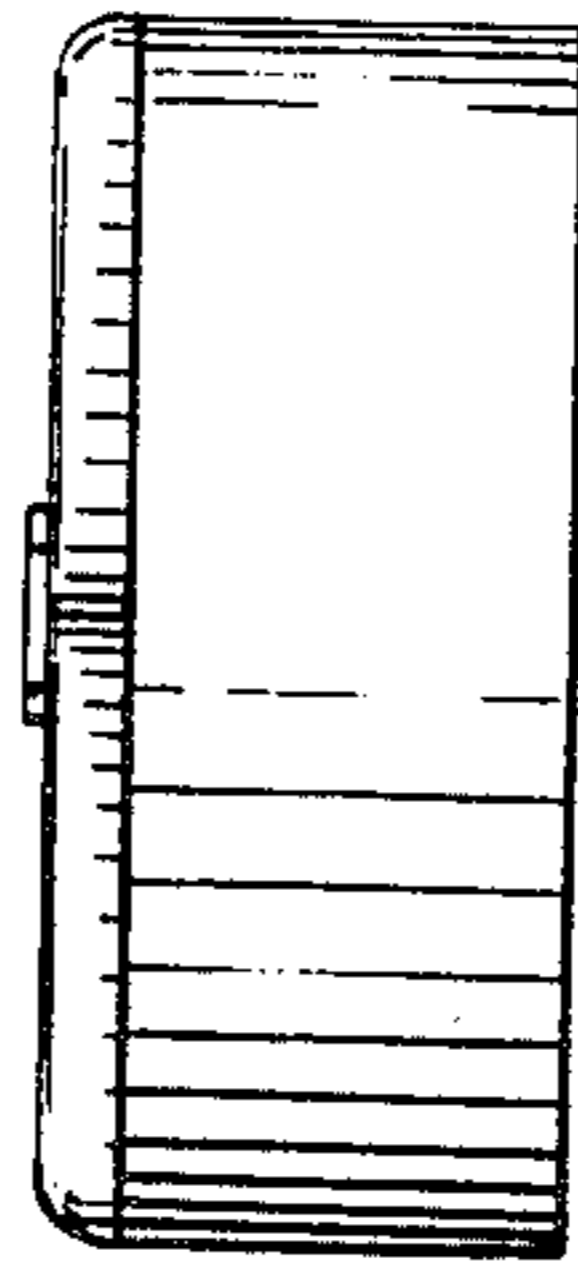


FIG. 3

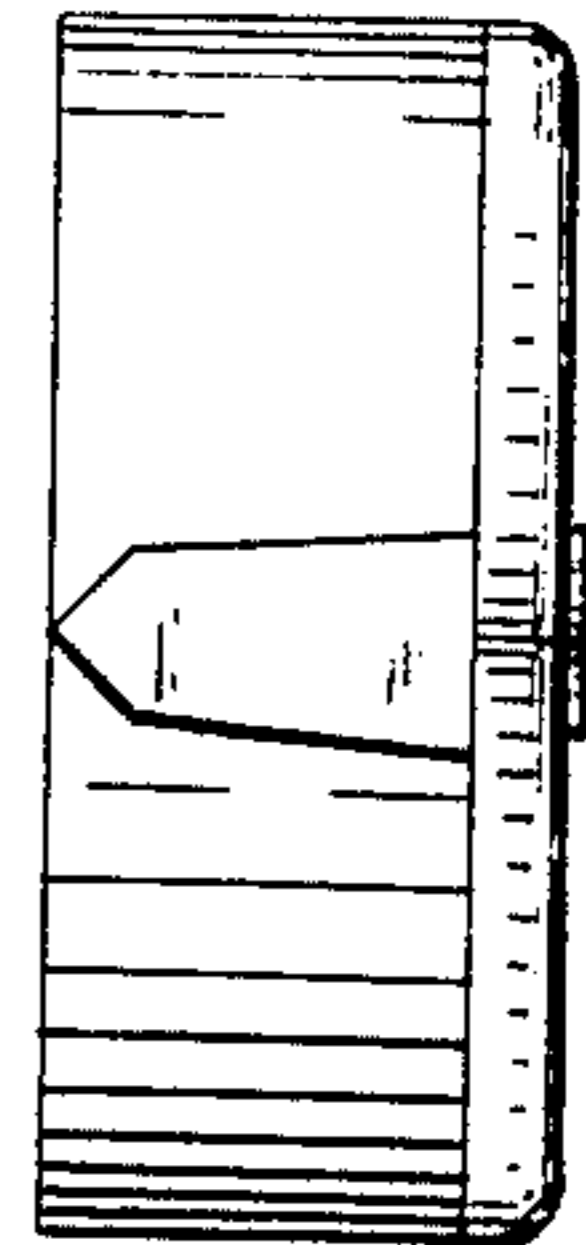


FIG. 4

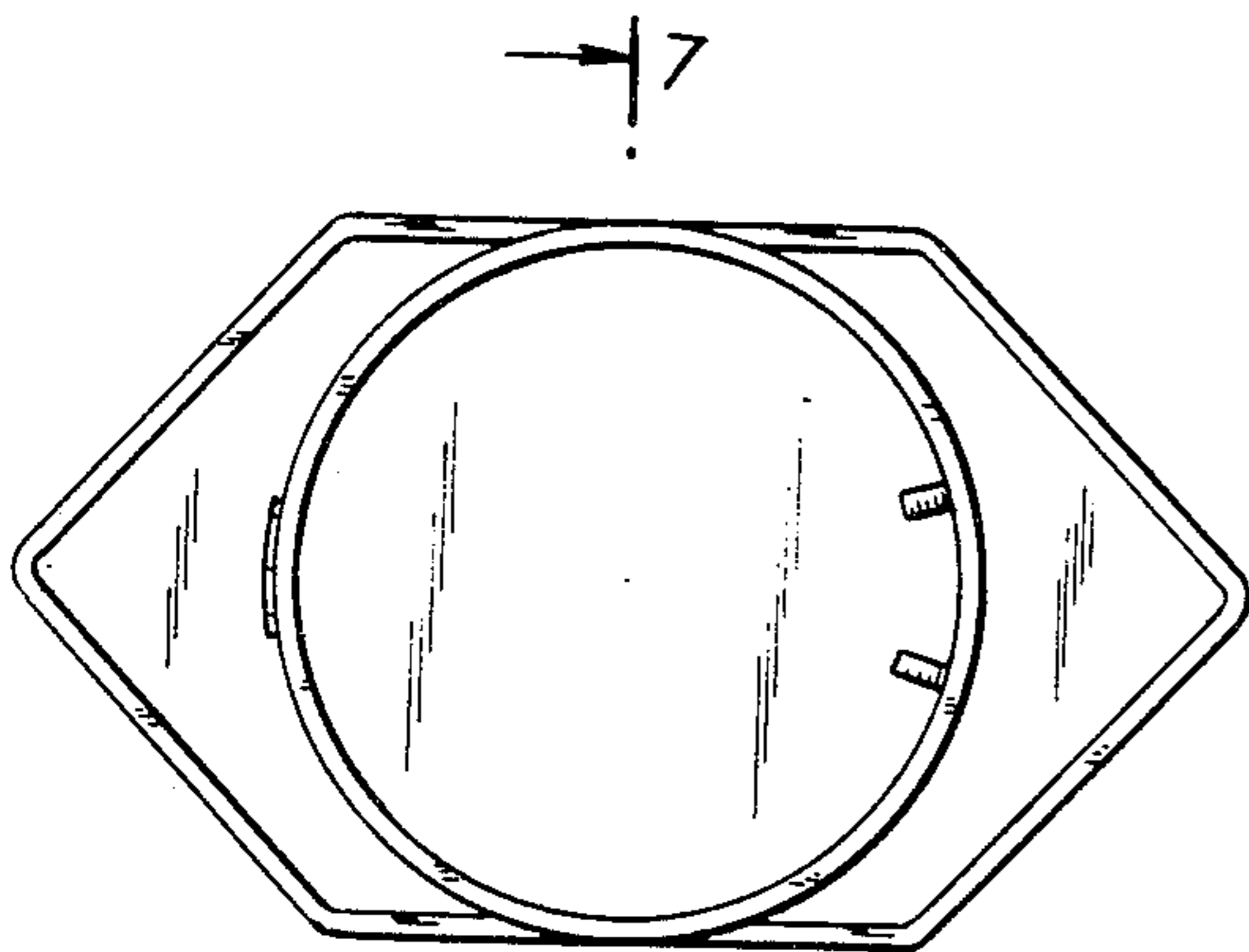


FIG. 5

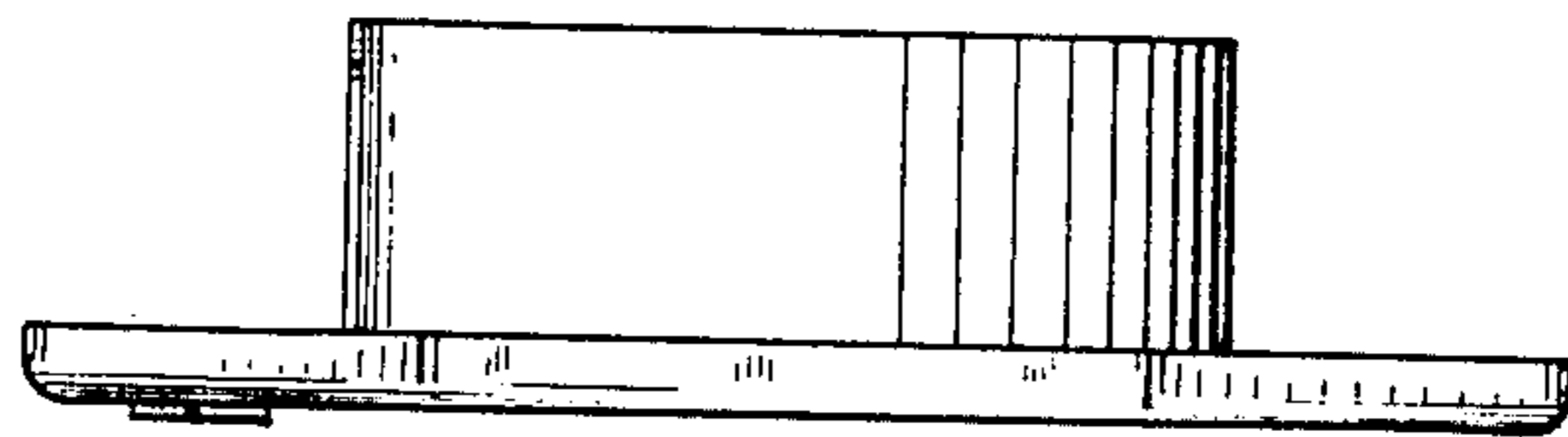


FIG. 6

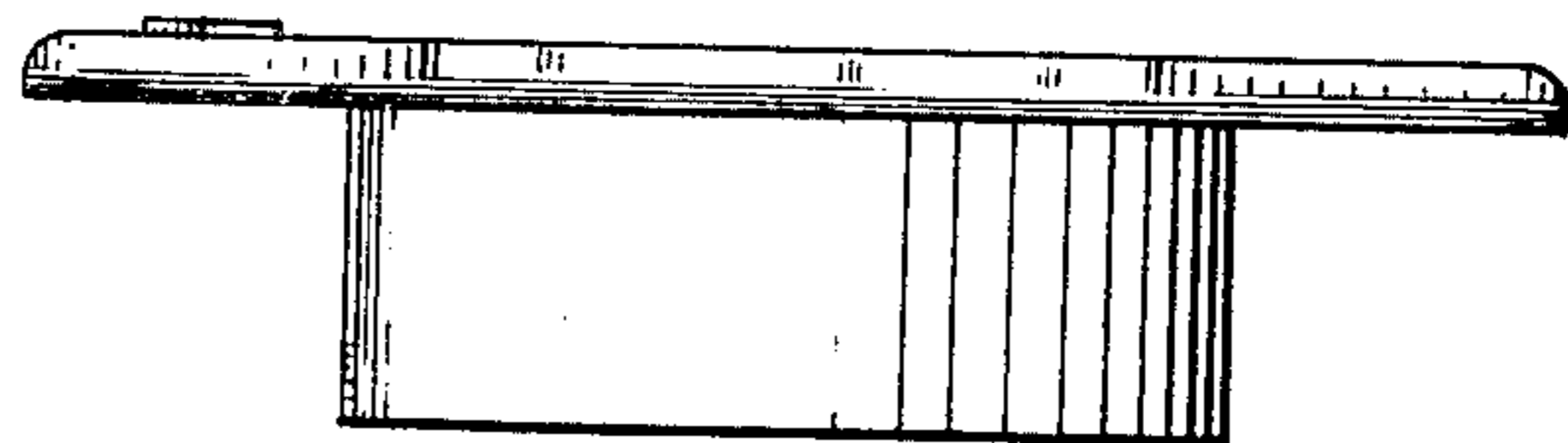


FIG. 7

