

[54] ELECTRIC KETTLE

[75] Inventor: Ian G. Wilson, New South Wales, Australia

[73] Assignee: Sunbeam Corporation, Downers Grove, Ill.

[**] Term: 14 Years

[21] Appl. No.: 653,811

[22] Filed: Sep. 21, 1984

[52] U.S. Cl. D7/317; D7/319

[58] Field of Search D7/300, 312, 316-322

[56] References Cited

U.S. PATENT DOCUMENTS

- D. 115,833 7/1939 Kruck D7/317
- D. 118,721 1/1940 Haslup D7/312

- D. 259,692 6/1981 Quinn D7/321
- 2,083,632 6/1937 Beck D7/317 X

Primary Examiner—Winifred E. Herrmann
Attorney, Agent, or Firm—Neil M. Rose

[57] CLAIM

The ornamental design for an electric kettle, as shown and described.

DESCRIPTION

FIG. 1 is a side elevational view of an electric kettle showing my new design;
 FIG. 2 is a top plan view thereof;
 FIG. 3 is a front elevational view thereof;
 FIG. 4 is a rear elevational view thereof;
 FIG. 5 is a side elevational view thereof showing the opposite side than that shown in FIG. 1; and
 FIG. 6 is a bottom plan view thereof.

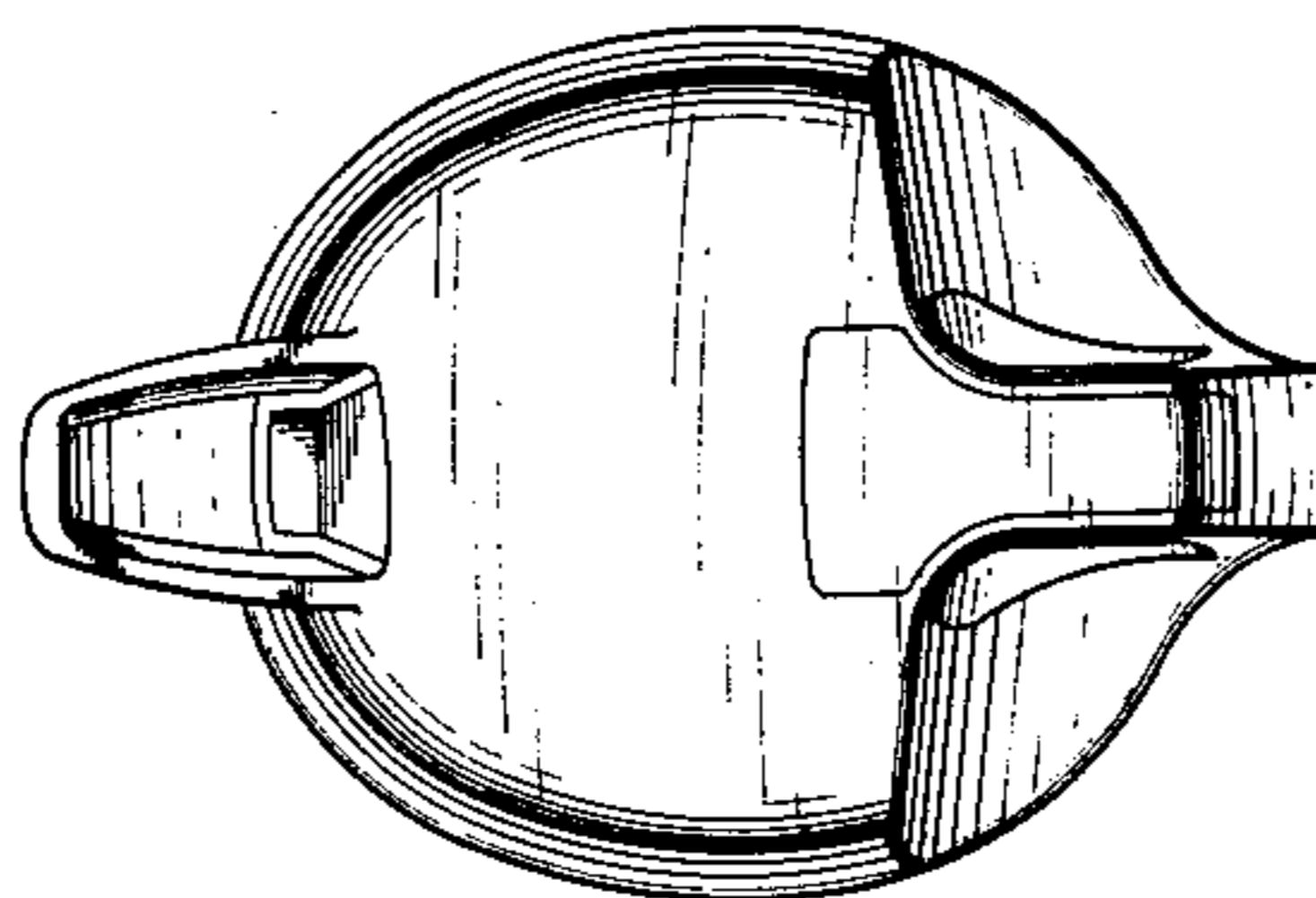
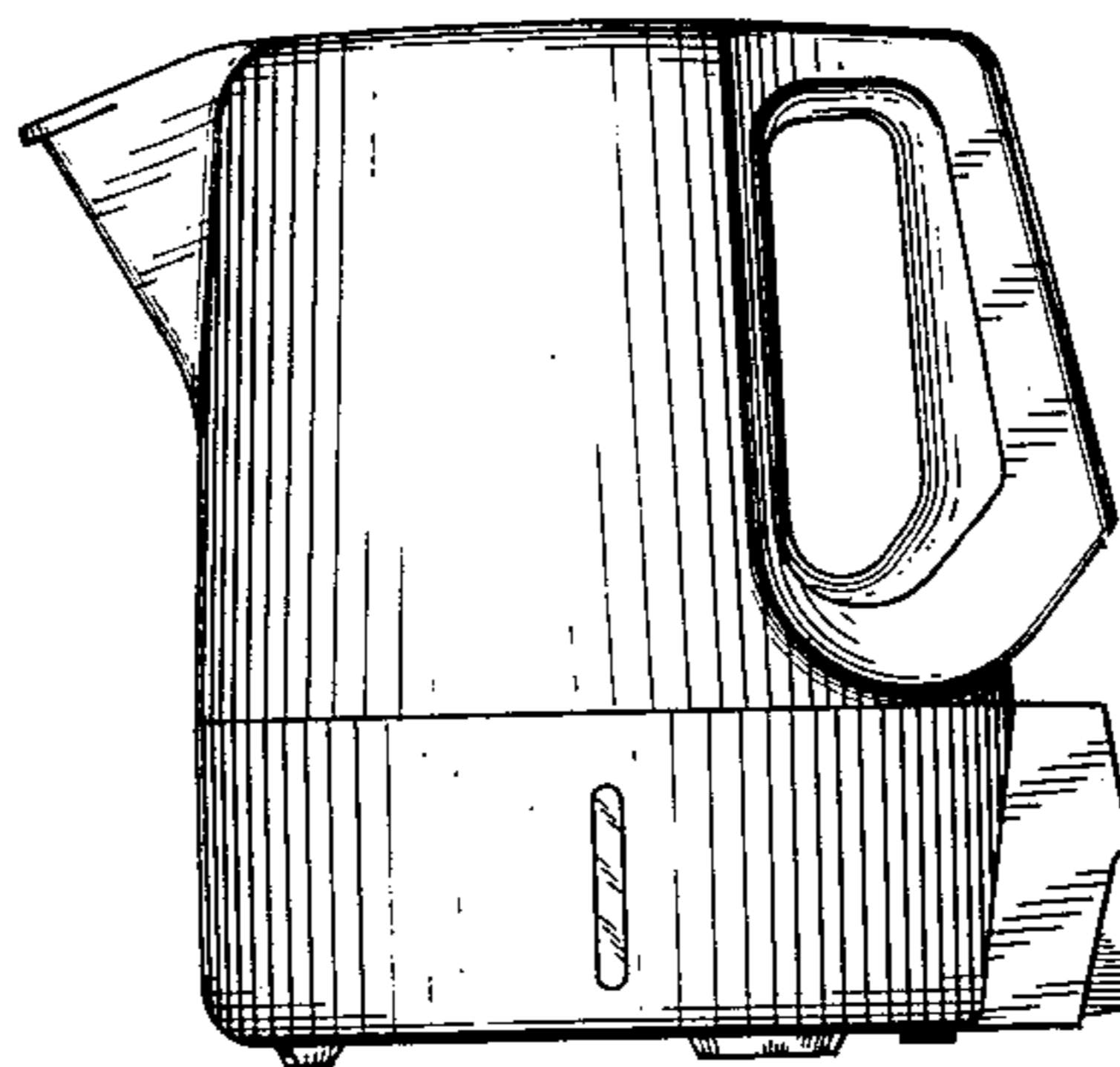
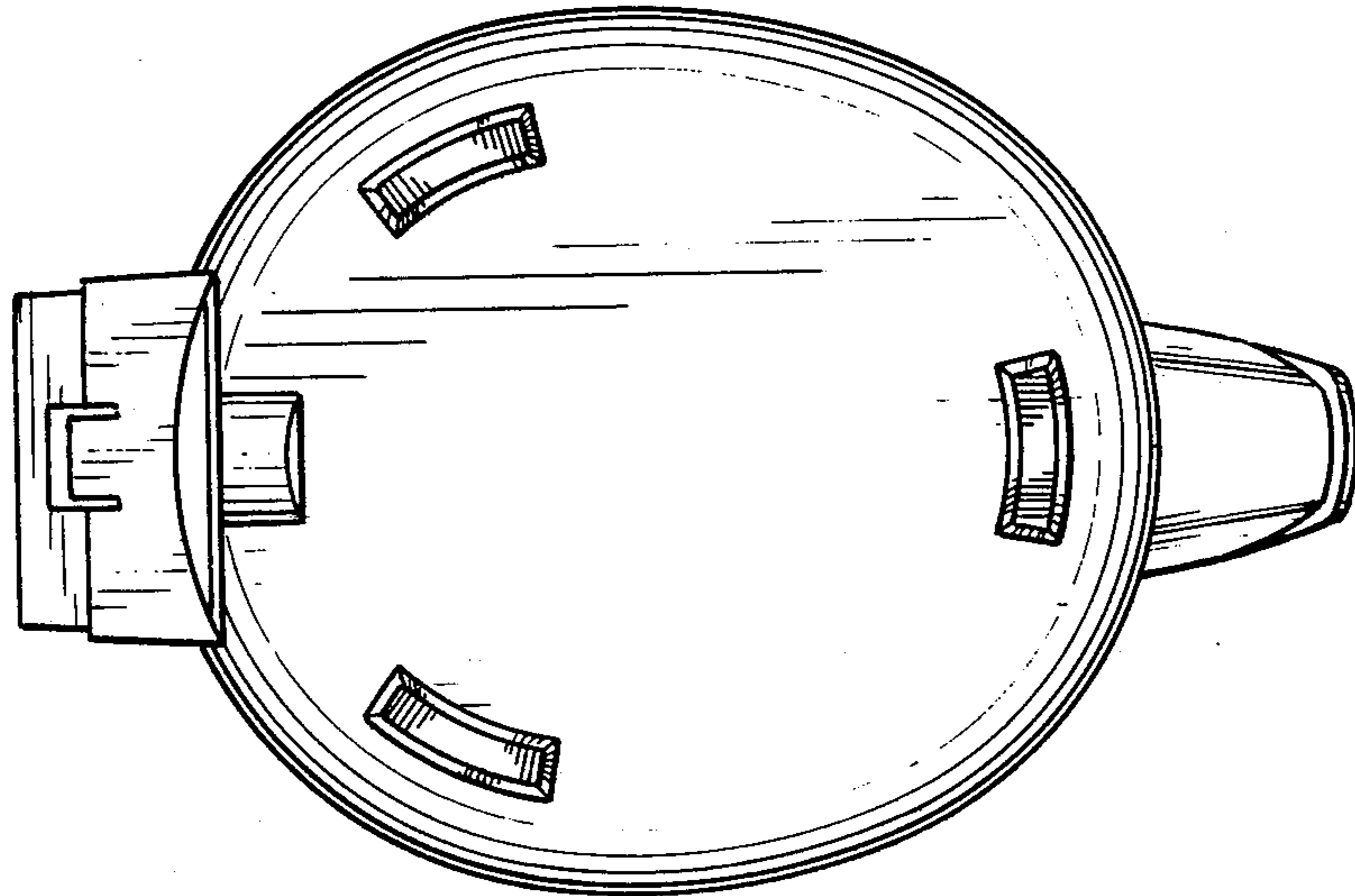


Fig. 1.

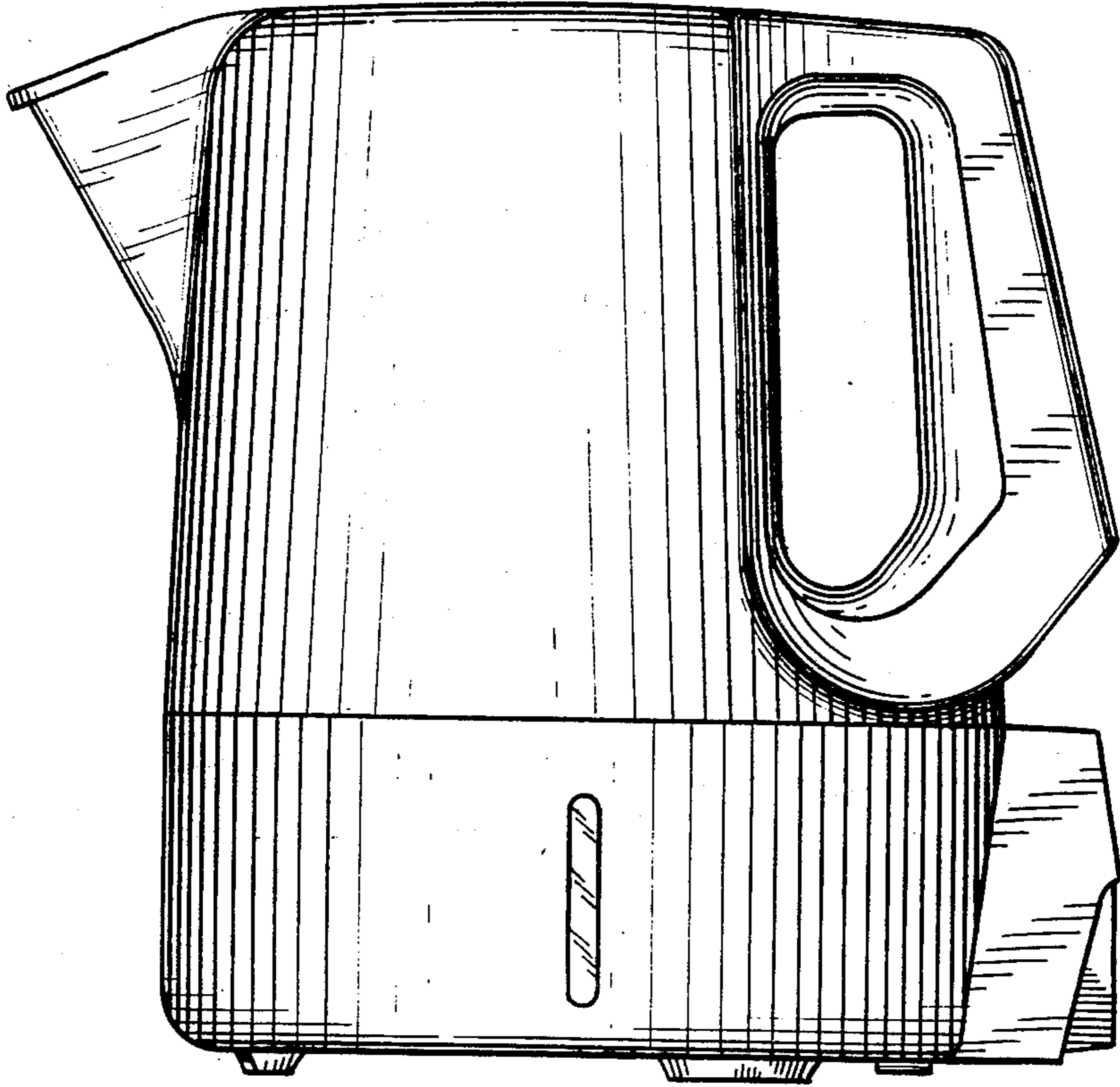


Fig. 2.

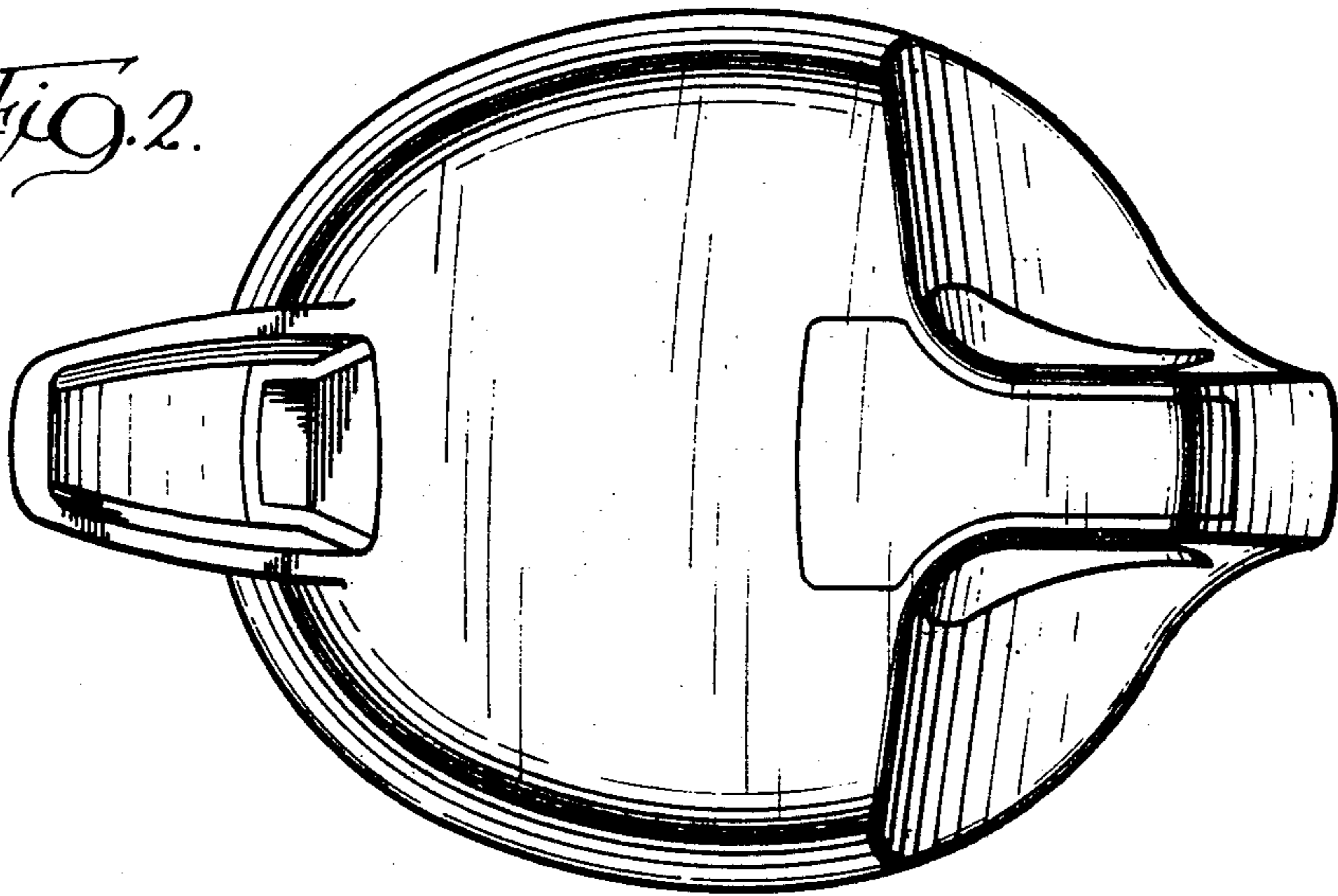


Fig. 3.

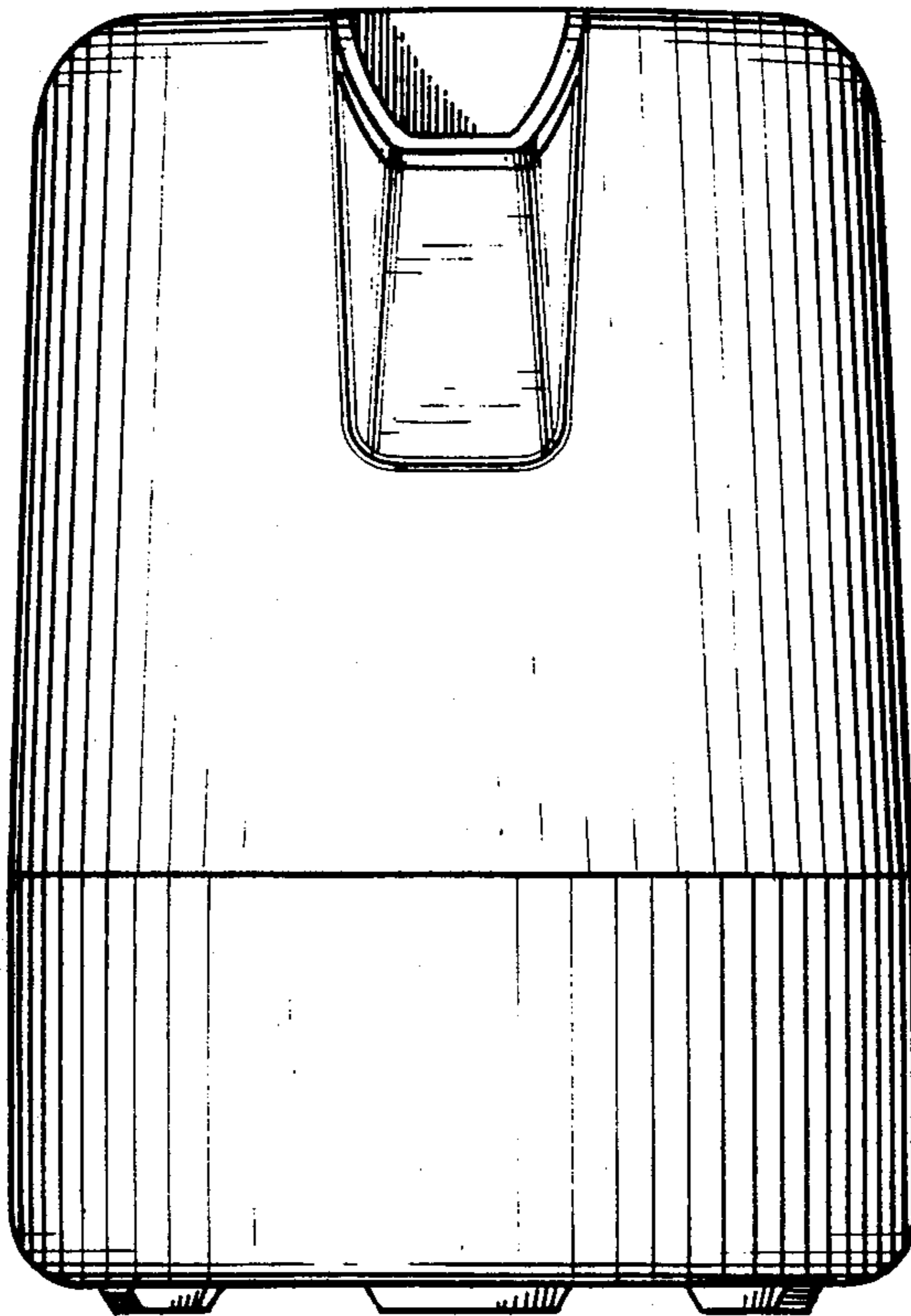


Fig. 4.

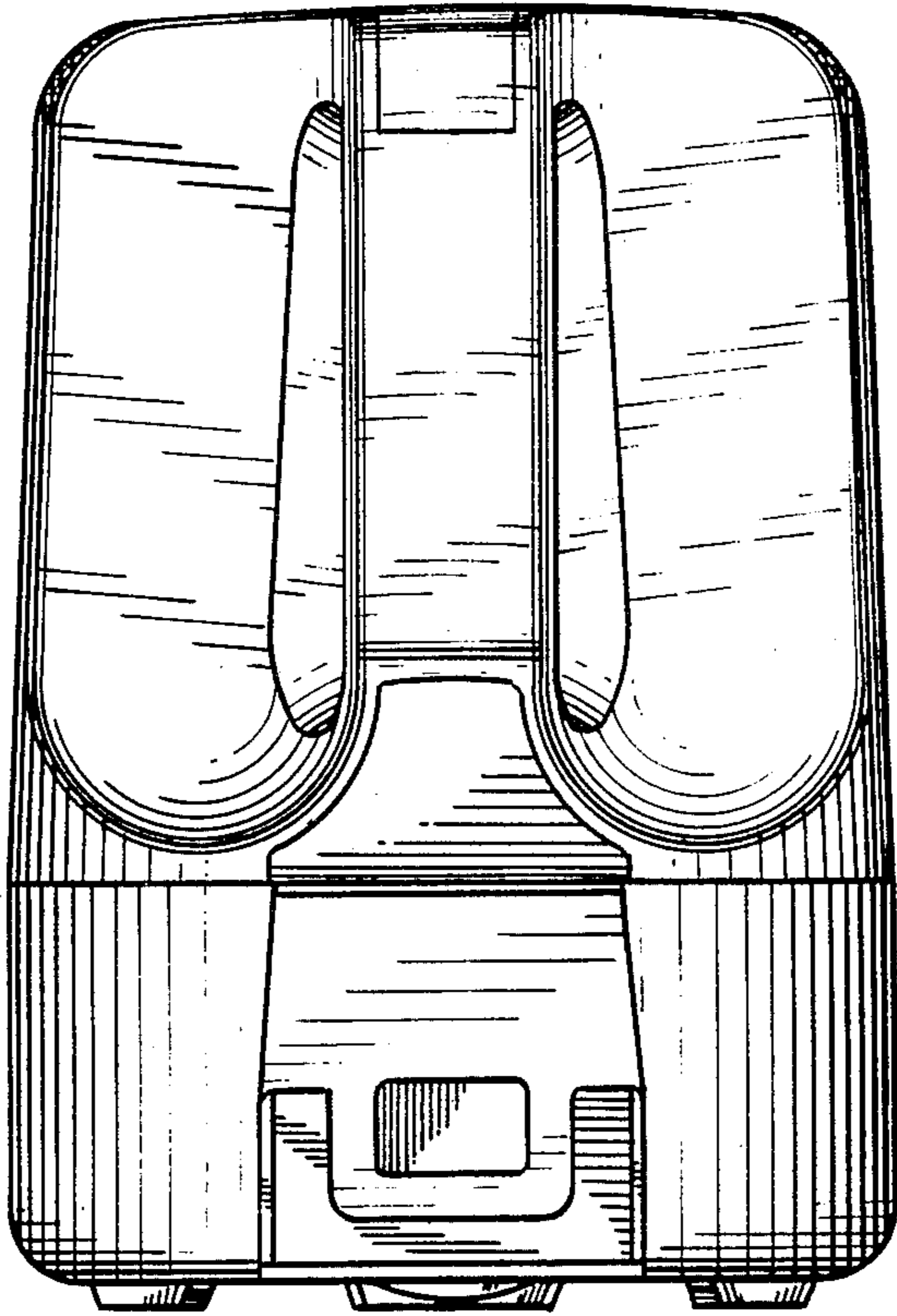


Fig. 5.

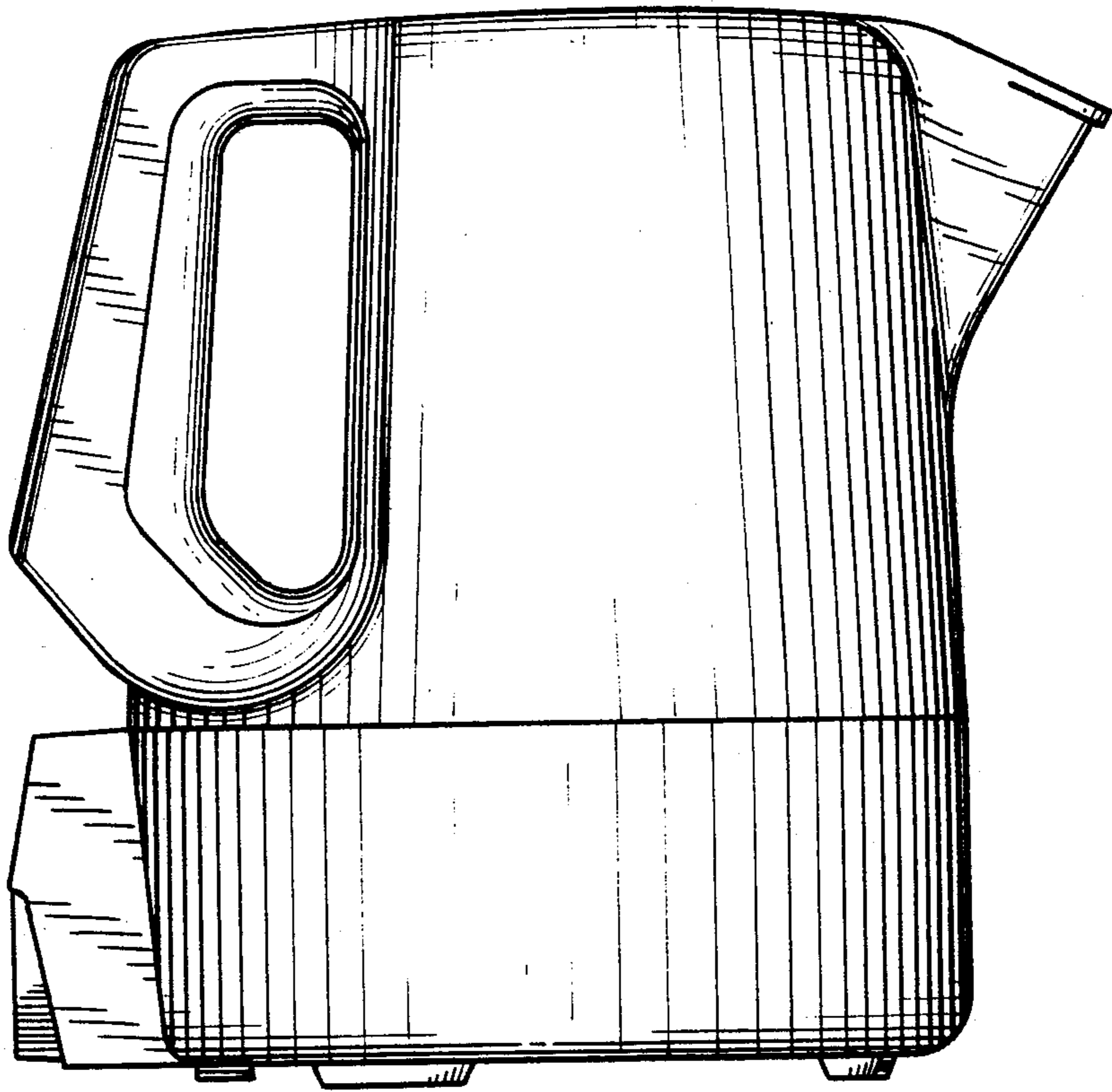


Fig. 6.

