

[54] BUILT-IN WALL CABINET

[76] Inventor: Layton G. Lance, P.O. Box 1472, St. Charles, Mo. 63302

[**] Term: 14 Years

[21] Appl. No.: 590,787

[22] Filed: Mar. 19, 1984

[52] U.S. Cl. D6/559

[58] Field of Search D6/512, 524, 553, 555, D6/559, 560, 561; 312/242, 245, 248, 313

[56] References Cited

U.S. PATENT DOCUMENTS

D. 258,781	4/1981	Andersson	D6/561
D. 269,235	6/1983	Drapeau	D6/560
2,817,571	12/1957	Lee	312/313
3,333,912	8/1967	Kunz et al.	312/248
4,304,447	12/1981	Ellwood et al.	312/245

OTHER PUBLICATIONS

Custom-Aire Products Division, 9/1959, p. 1, Wall Desk, middle of page.

Primary Examiner—B. J. Bullock

Assistant Examiner—Suzanne N. Gitlin

Attorney, Agent, or Firm—Gravely, Lieder & Woodruff

[57] CLAIM

The ornamental design for a built-in wall cabinet, substantially as shown and described.

DESCRIPTION

FIG. 1 is a front perspective view of a built-in wall cabinet showing my new design;

FIG. 2 is a front perspective view with the door in open position.

FIG. 3 is a side elevational view taken from the right of FIG. 1, the left side being a mirror image;

FIG. 4 is a top plan view thereof, the bottom being a mirror image;

FIG. 5 is a rear elevational view thereof.

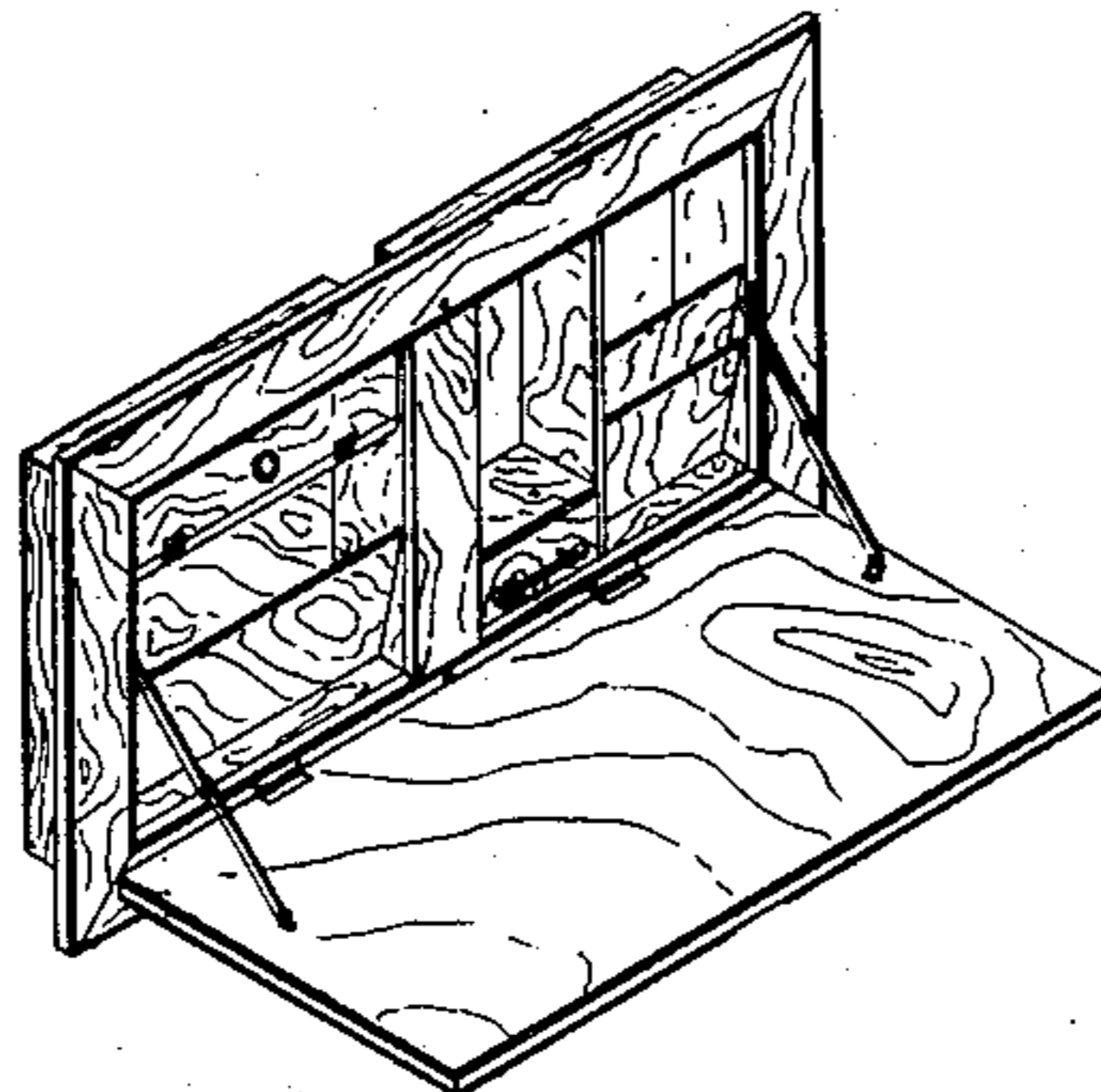
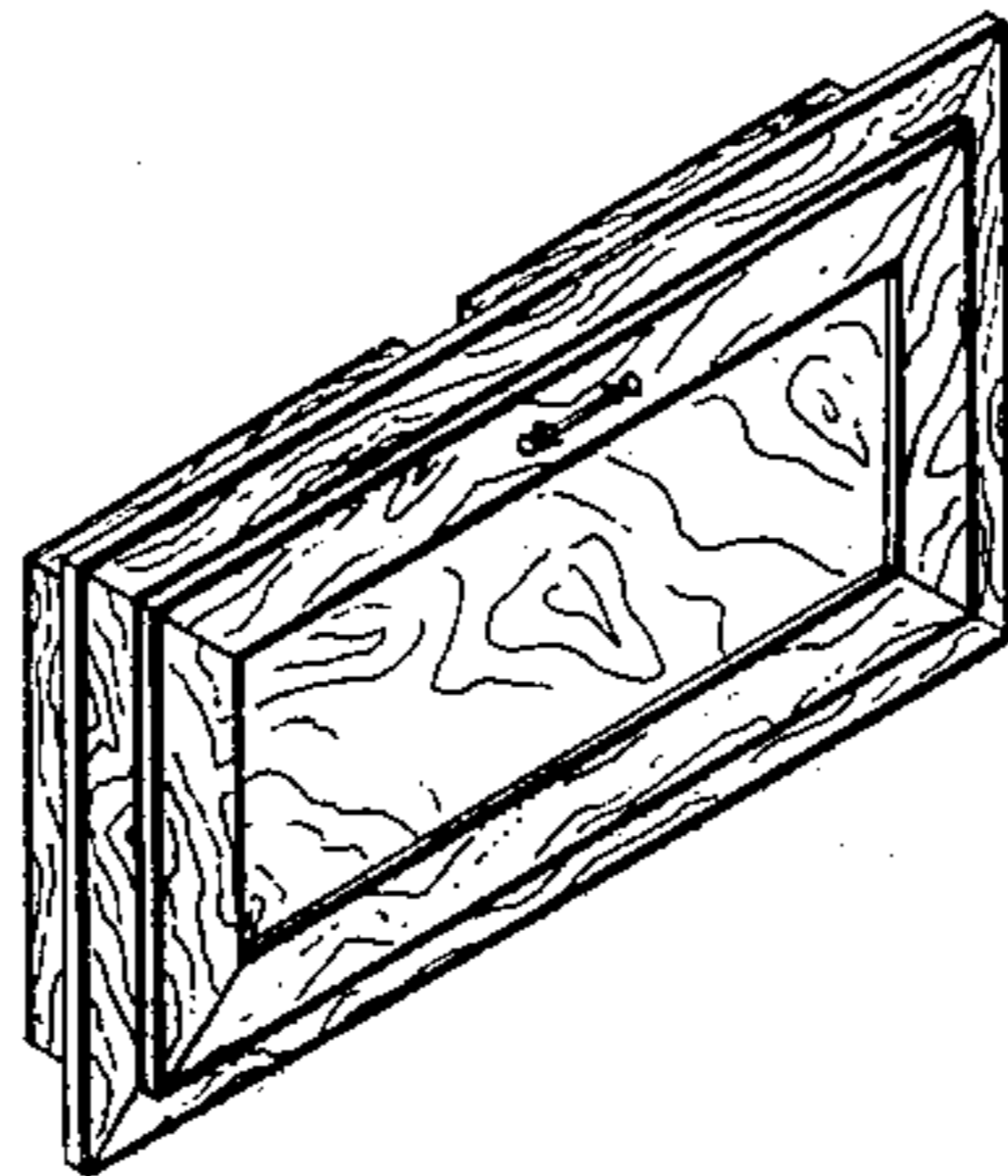


FIG. 1

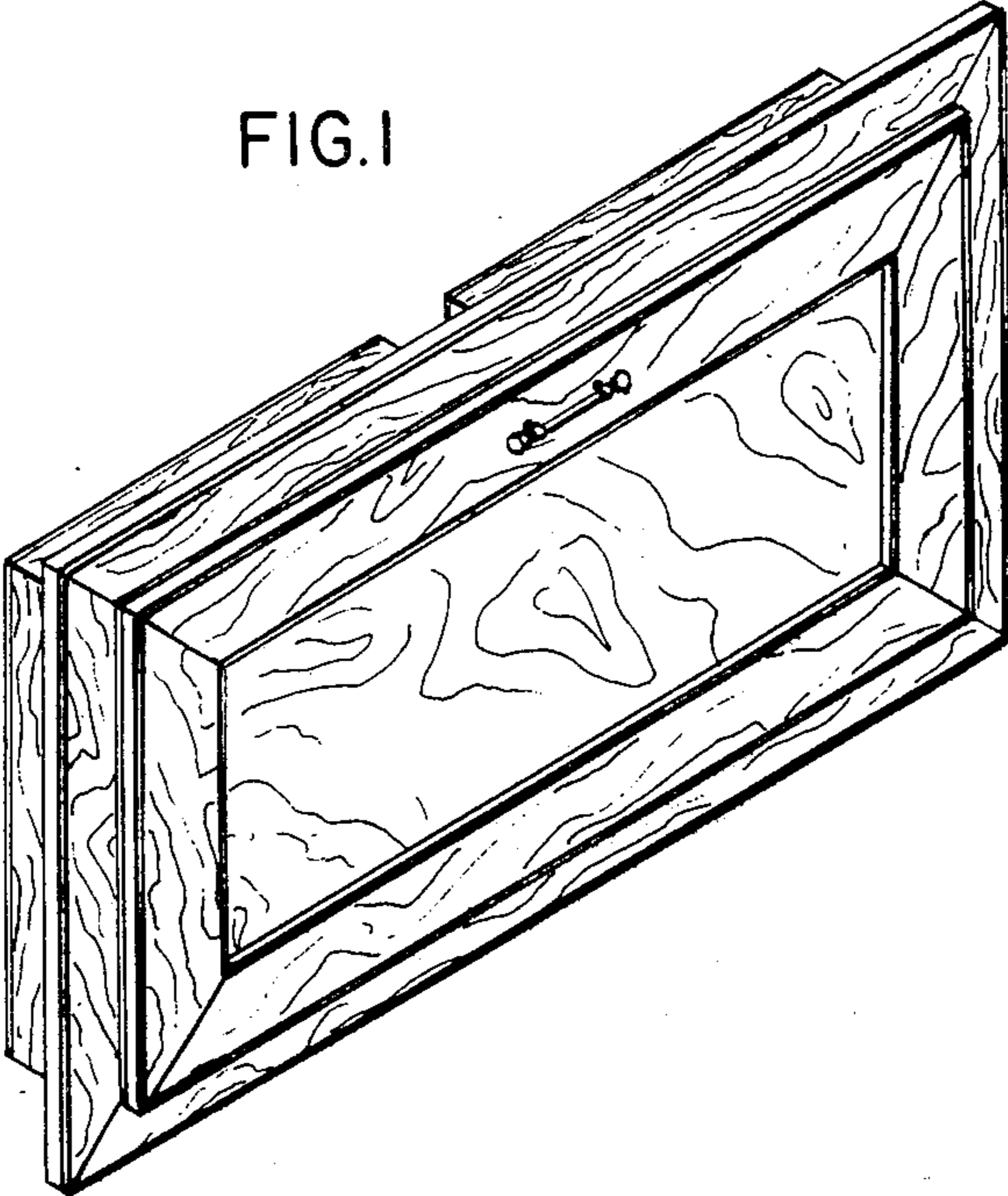


FIG. 2

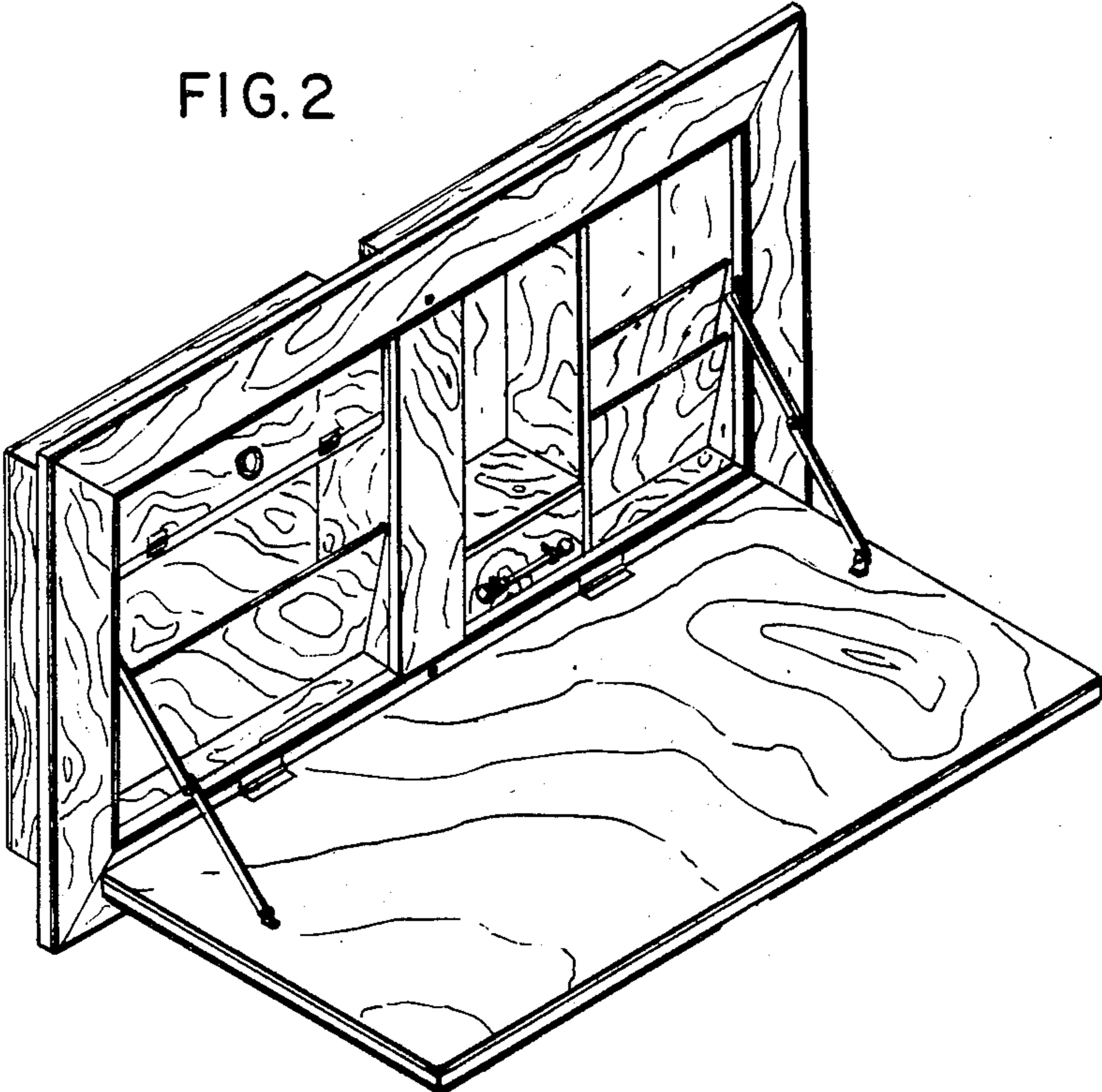


FIG.3



FIG.4



FIG.5

