

[54] **TABLE**

[75] **Inventor: Paul R. Evans, New Hope, Pa.**

[73] **Assignee: Design Institute America, Inc.,  
Montpelier, Ohio**

[\*\*] **Term: 14 Years**

[21] **Appl. No.: 598,822**

[22] **Filed: Apr. 10, 1984**

[52] **U.S. Cl. .... D6/483; D6/479;  
D6/487**

[58] **Field of Search ..... D6/449, 461, 477, 478,  
D6/479, 480, 484, 486, 487, 488**

[56] **References Cited**

**U.S. PATENT DOCUMENTS**

D. 91,717	3/1934	Maguire .....	D6/487 X
D. 152,998	3/1949	Martin .....	D6/483
D. 184,500	2/1959	White .....	D6/483
D. 185,185	5/1959	Anthon .....	D6/483
D. 254,428	3/1980	Lasowski et al. ....	D6/483 X
D. 267,374	12/1982	Karson .....	D6/483

*Primary Examiner*—Bruce W. Dunkins

*Attorney, Agent, or Firm*—Marshall & Melhorn

[57] **CLAIM**

The ornamental design for a table, as shown.

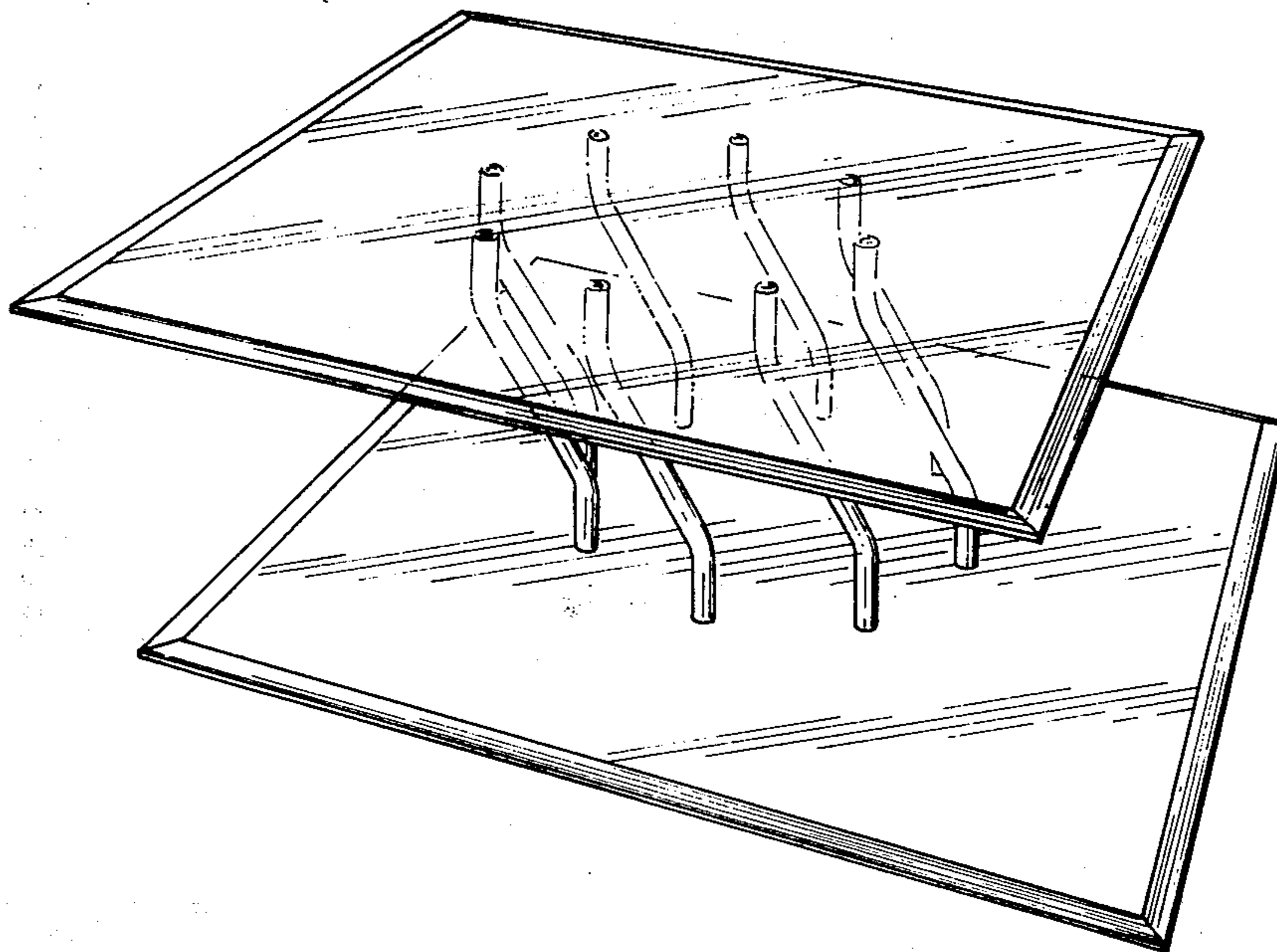
**DESCRIPTION**

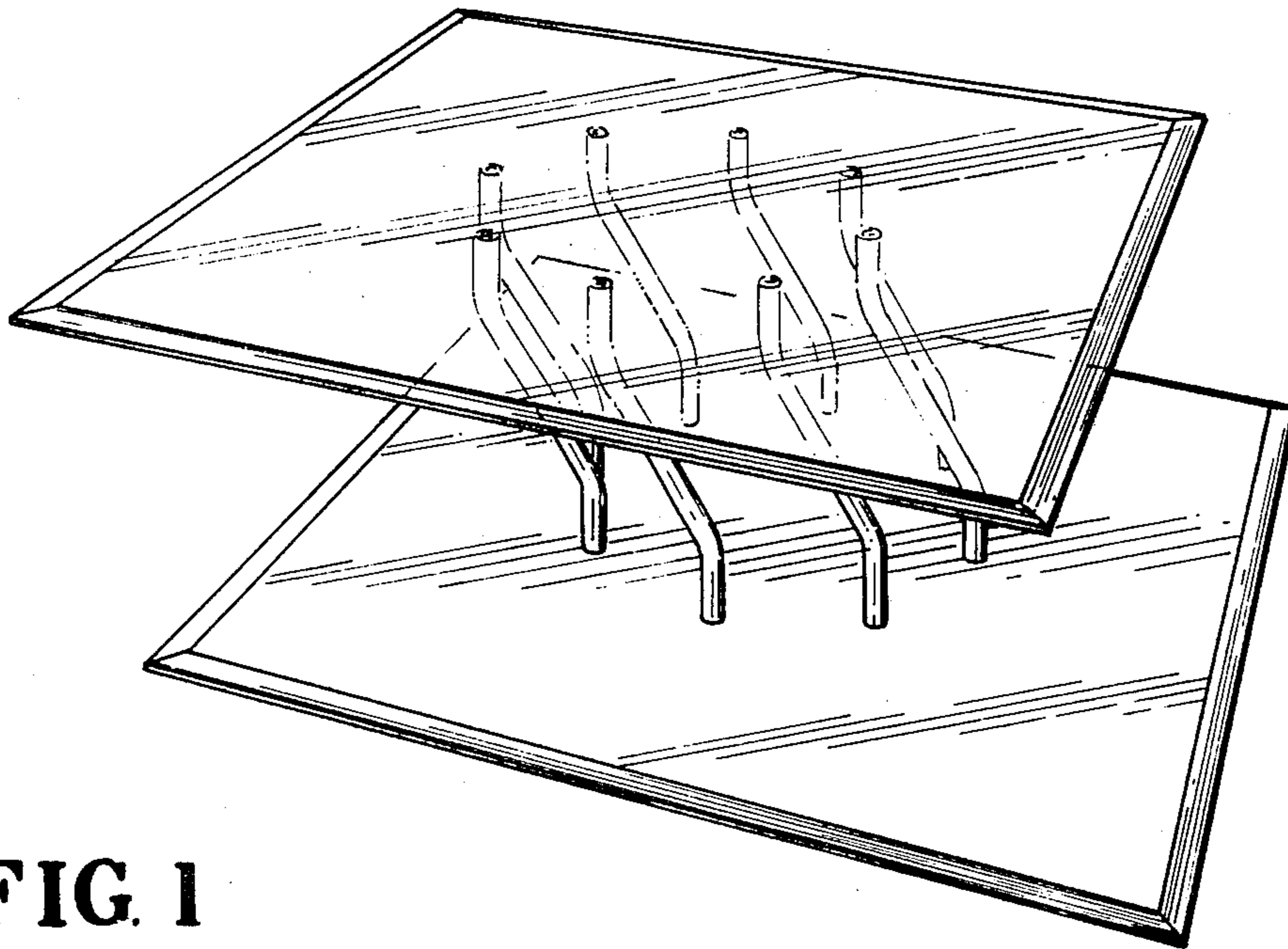
FIG. 1 is a perspective view of a table embodying my new design;

FIG. 2 is a top plan view thereof;

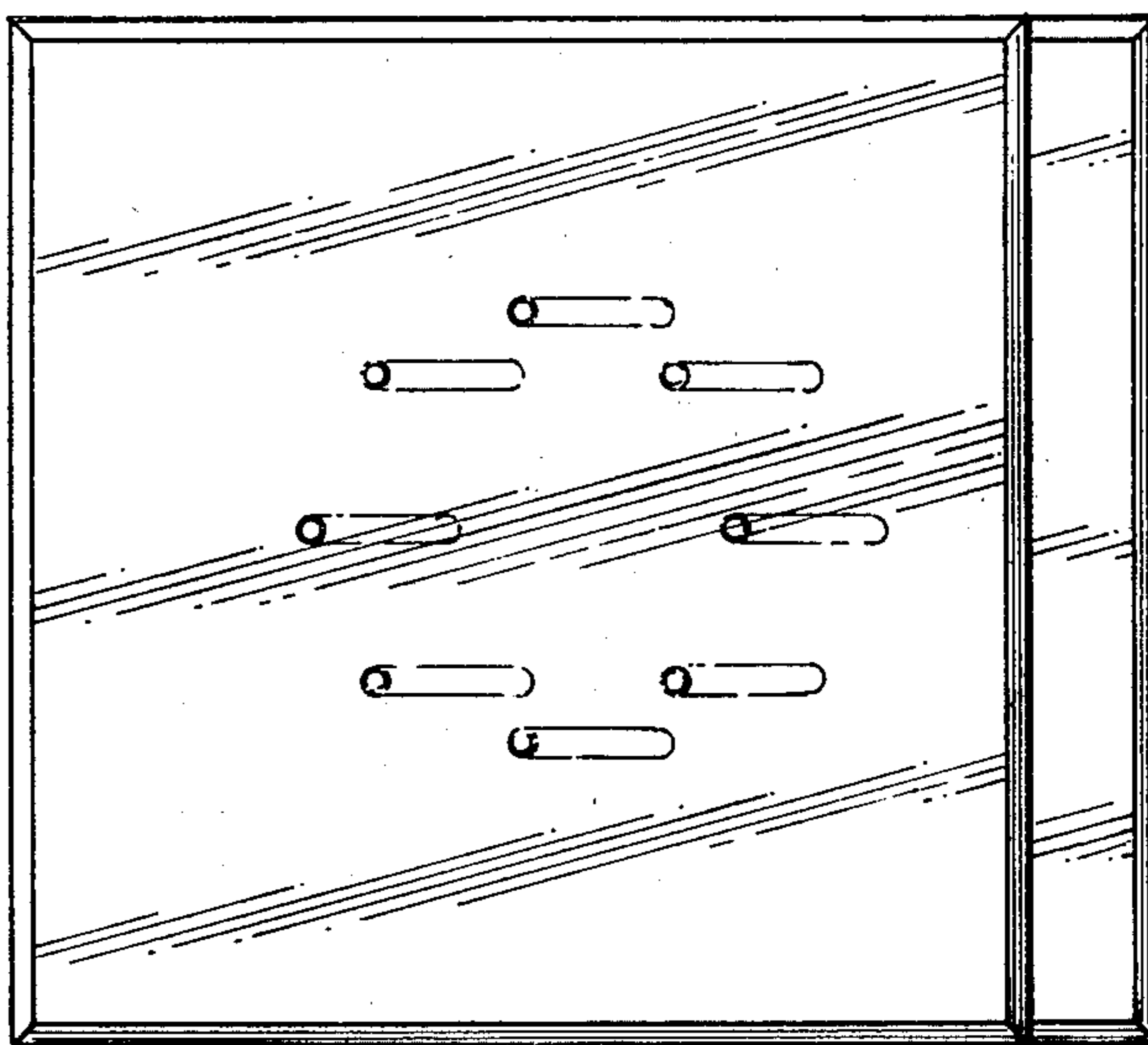
FIG. 3 is a front elevational view thereof; and

FIG. 4 is a side elevational view thereof.

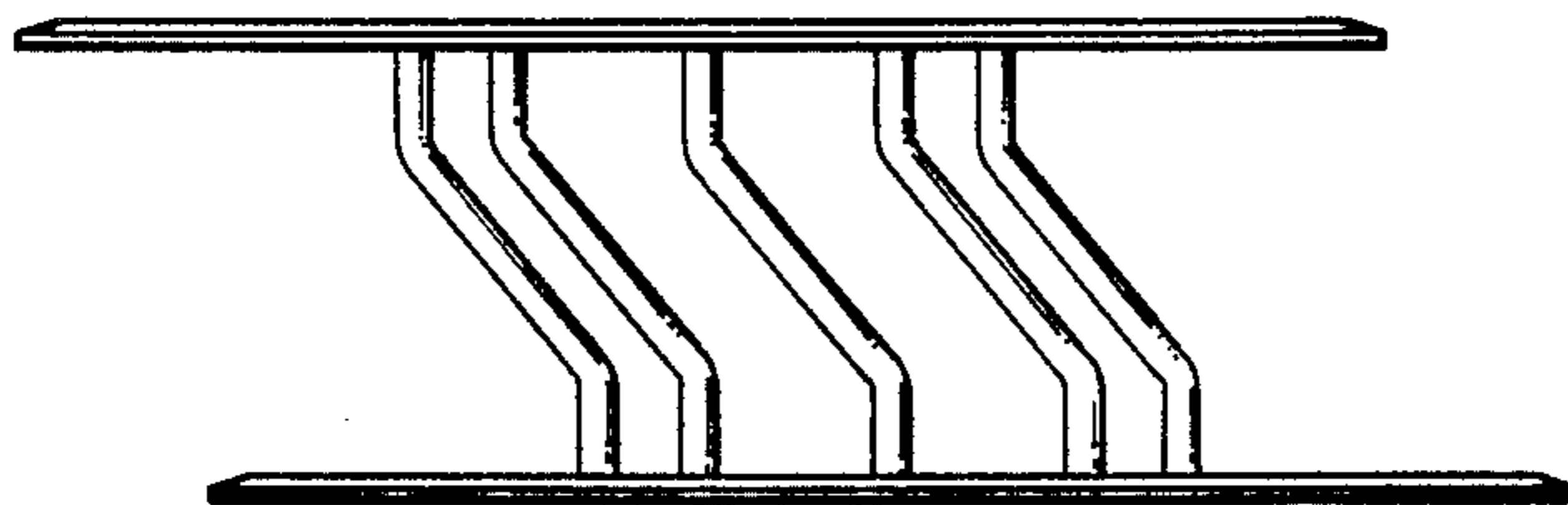




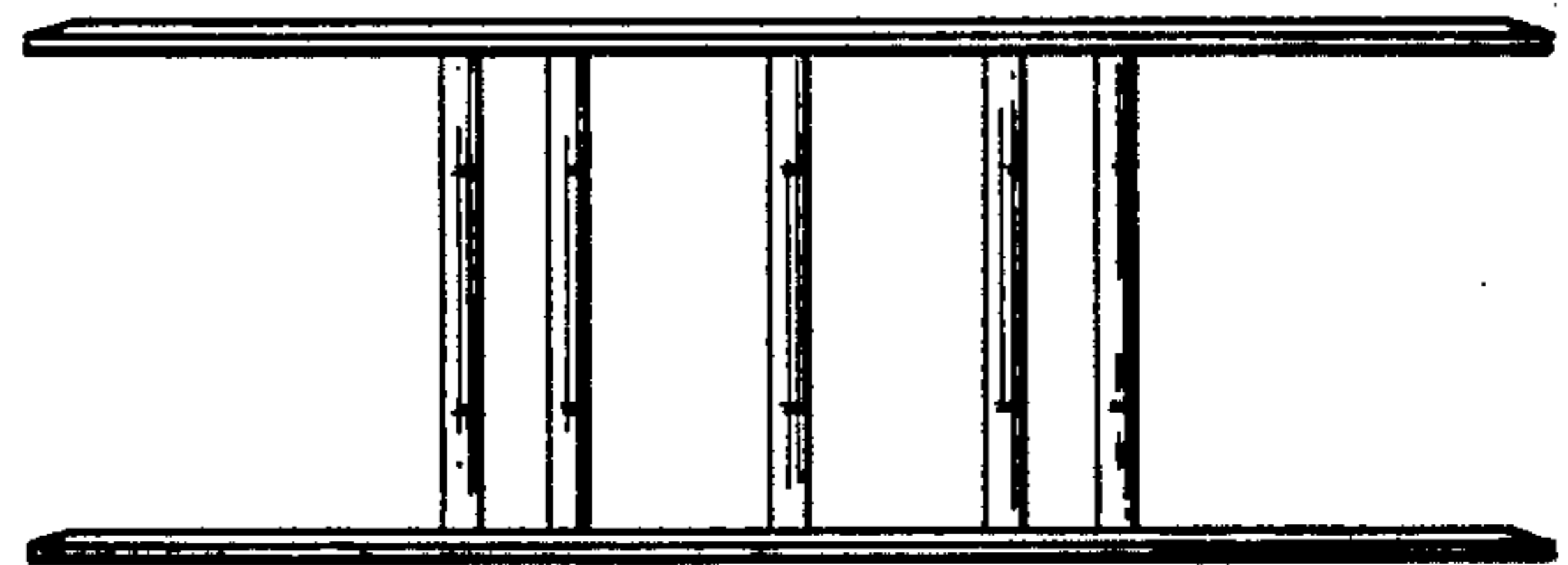
**FIG. 1**



**FIG. 2**



**FIG. 3**



**FIG. 4**