

[54] **FOOD PREPARATION TABLE FOR PASTAS, SANDWICHES AND THE LIKE**

[75] Inventor: Gary Streepy, Wichita, Kans.

[73] Assignee: Pizza Hut, Inc., Wichita, Kans.

[**] Term: 14 Years

[21] Appl. No.: 592,334

[22] Filed: Mar. 21, 1984

[52] U.S. Cl. D6/436; D6/440; D6/443; D6/476

[58] Field of Search D6/440, 443, 480, 481, D6/475, 476, 436; D7/339, 340, 341, 346, 347, 348, 349, 350; D23/49, 50, 59; D34/19, 20; 312/126, 229, 236, 250, 279; 296/22

[56] **References Cited**

U.S. PATENT DOCUMENTS

D. 85,985	1/1932	Moore	D7/340
D. 207,893	6/1967	Buday	D7/347
D. 233,253	10/1974	Emanuele	D7/339
D. 267,994	2/1983	Luzich	D6/476 X
2,863,708	12/1958	Cahn	312/279 X
2,886,395	5/1959	Cahn	312/236 X

OTHER PUBLICATIONS

Food Service Equipment Specialist, vol. 35, Jan.-Apr. 1983, Mar. 1983, p. 16; bottom left Food Table on page.

Primary Examiner—Carmen H. Vales
Attorney, Agent, or Firm—William Brinks Olds Hofer Gilson & Lione Ltd.

[57] **CLAIM**

The ornamental design for a food preparation table for pastas, sandwiches and the like, substantially as shown and described.

DESCRIPTION

FIG. 1 is a perspective view of a food preparation table for pastas, sandwiches and the like showing my new design;
FIG. 2 is a top plan view thereof;
FIG. 3 is a perspective view with open compartments and the hot plate exposed;
FIG. 4 is a top plan view thereof;
FIG. 5 is a front elevational view of FIG. 1;
FIG. 6 is a left side elevational view thereof;
FIG. 7 is a side elevational view thereof; and
FIG. 8 is a rear elevational view thereof.

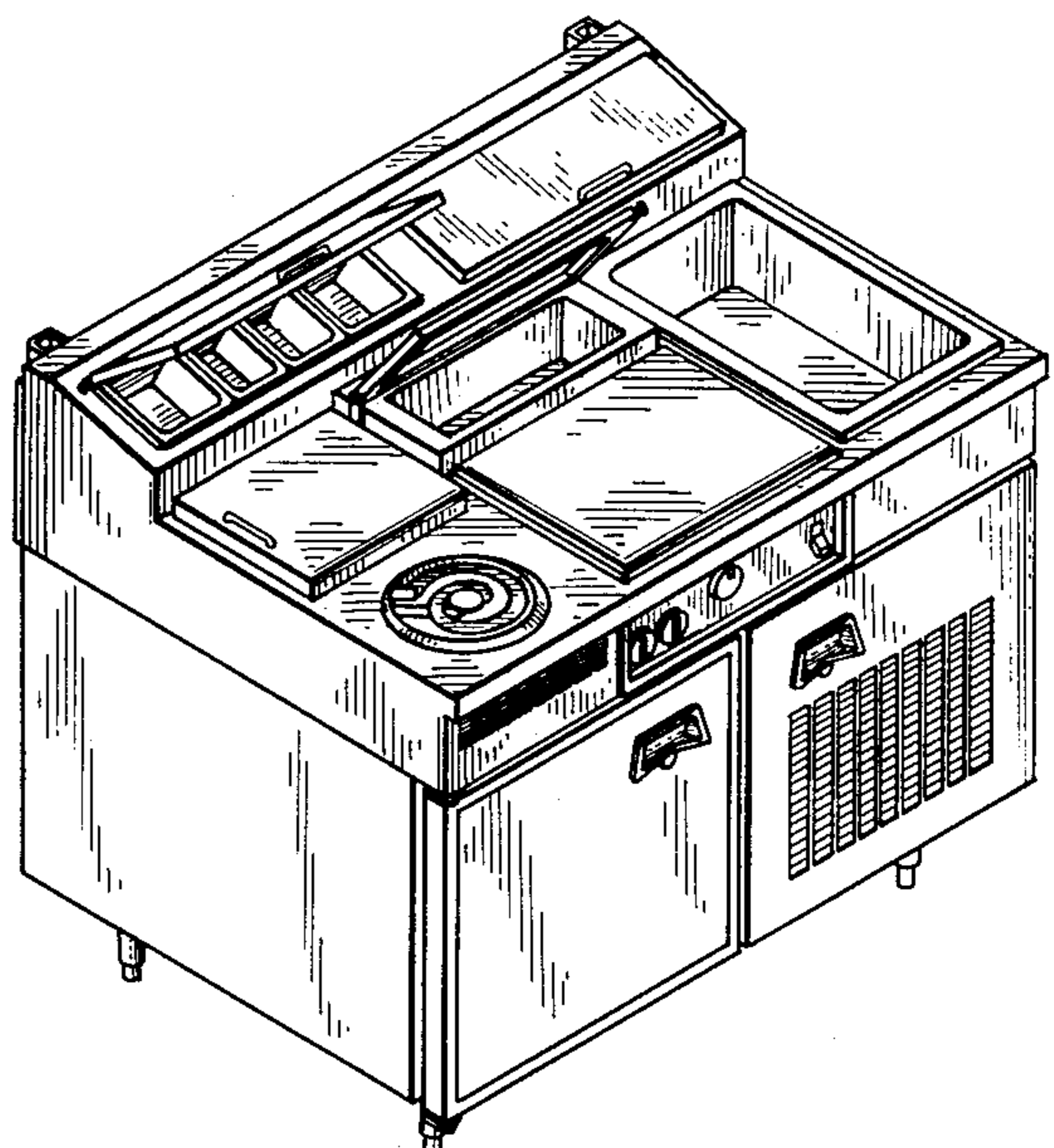
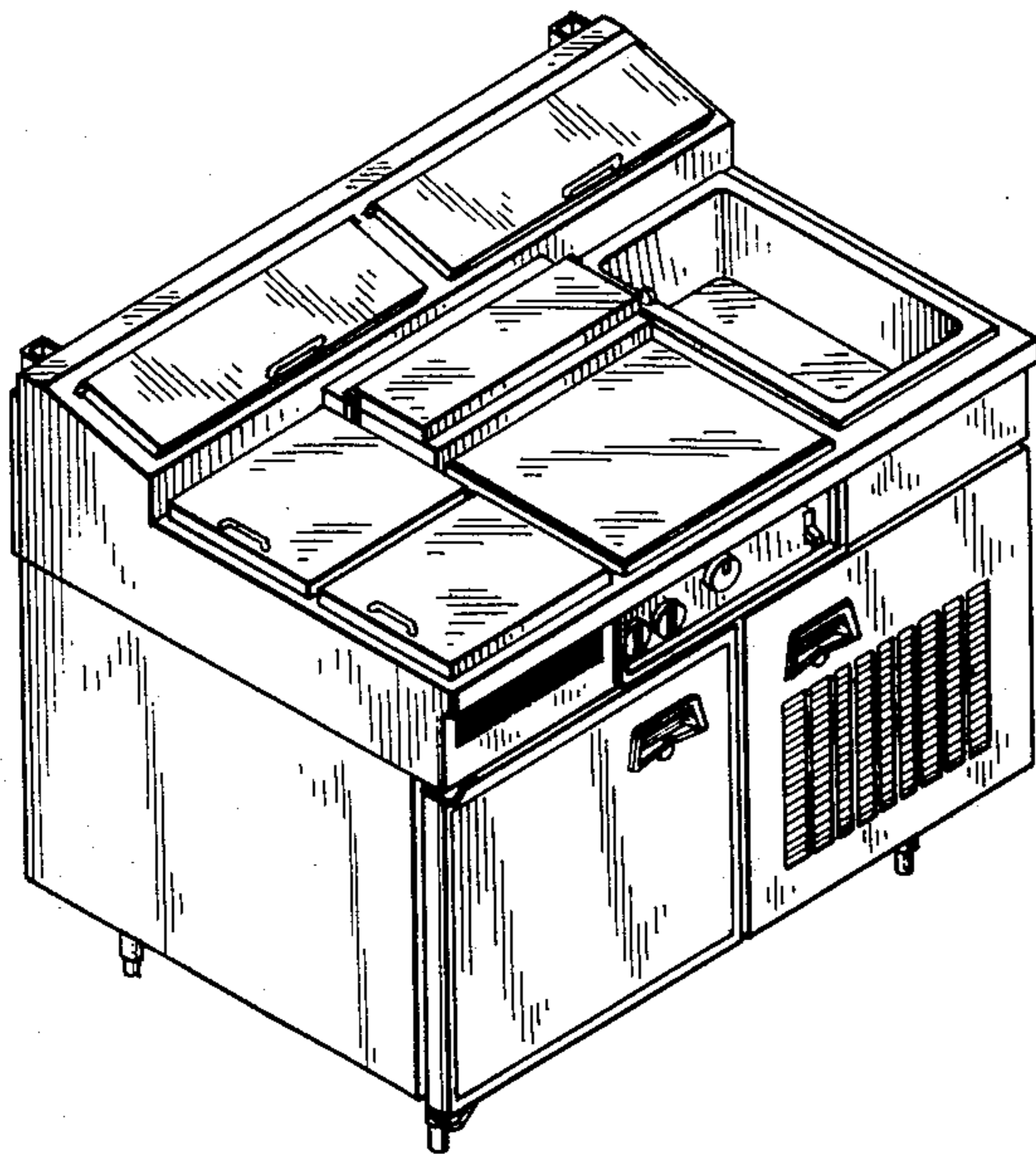


FIG. 1

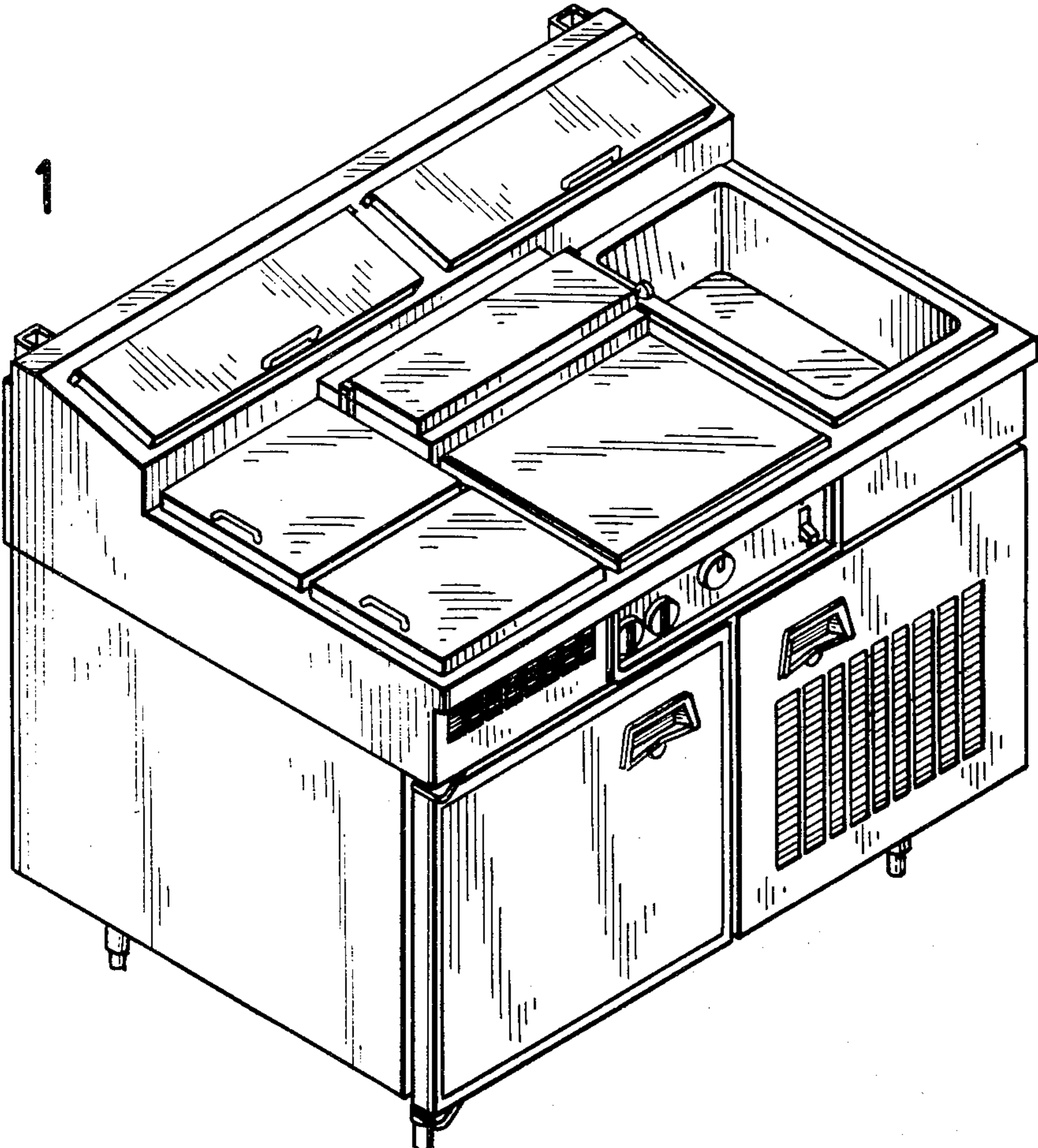


FIG. 2

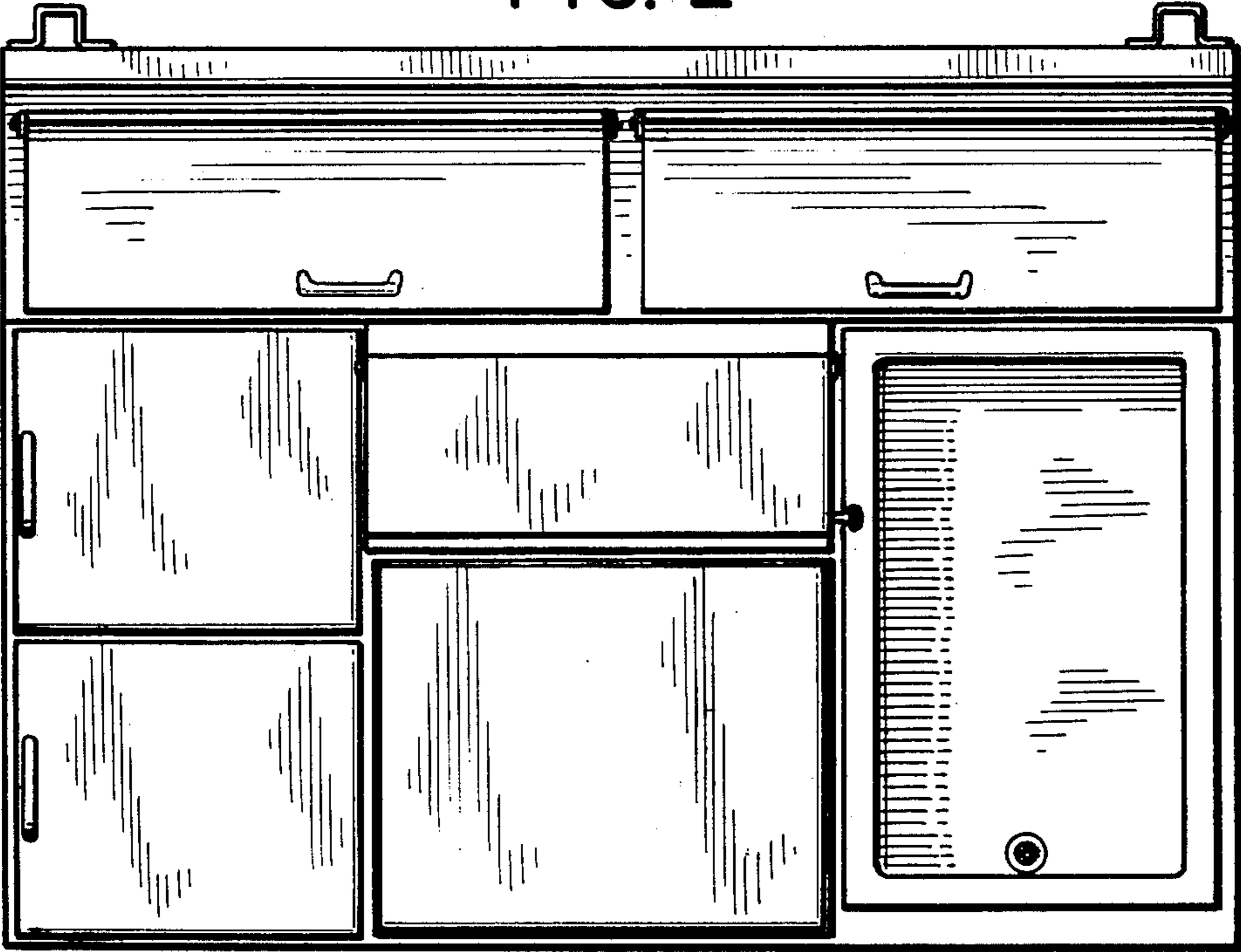


FIG. 3

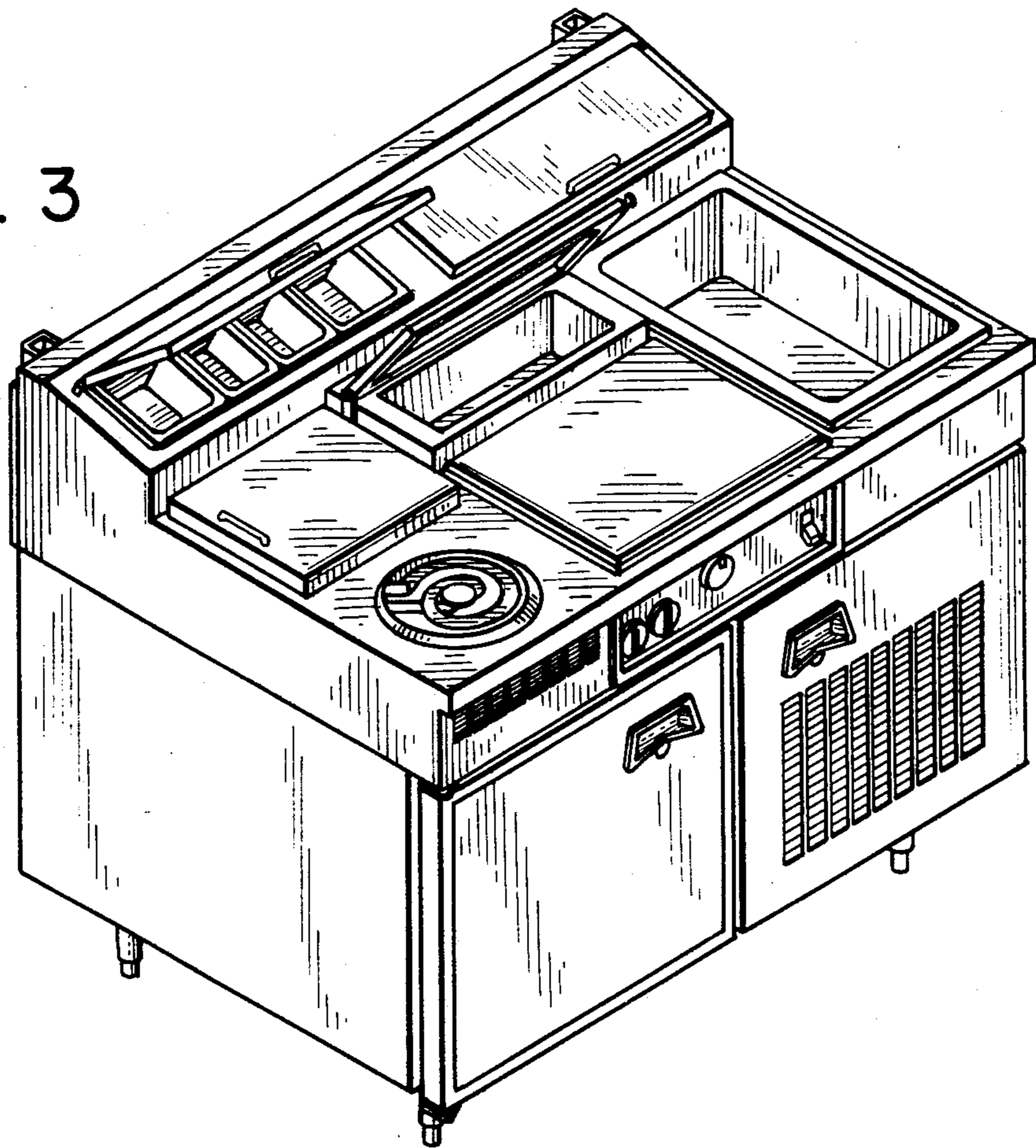


FIG. 4

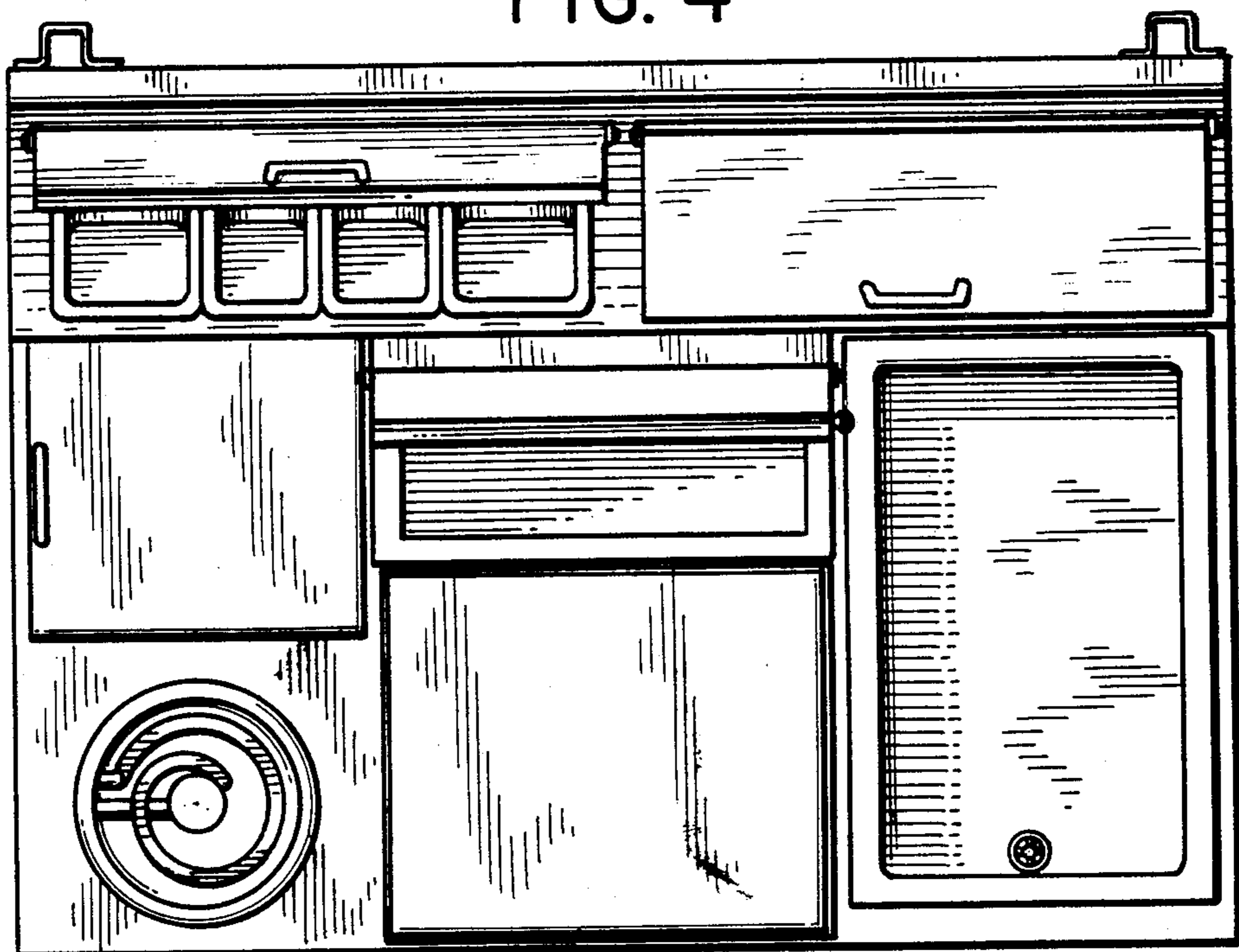


FIG. 5

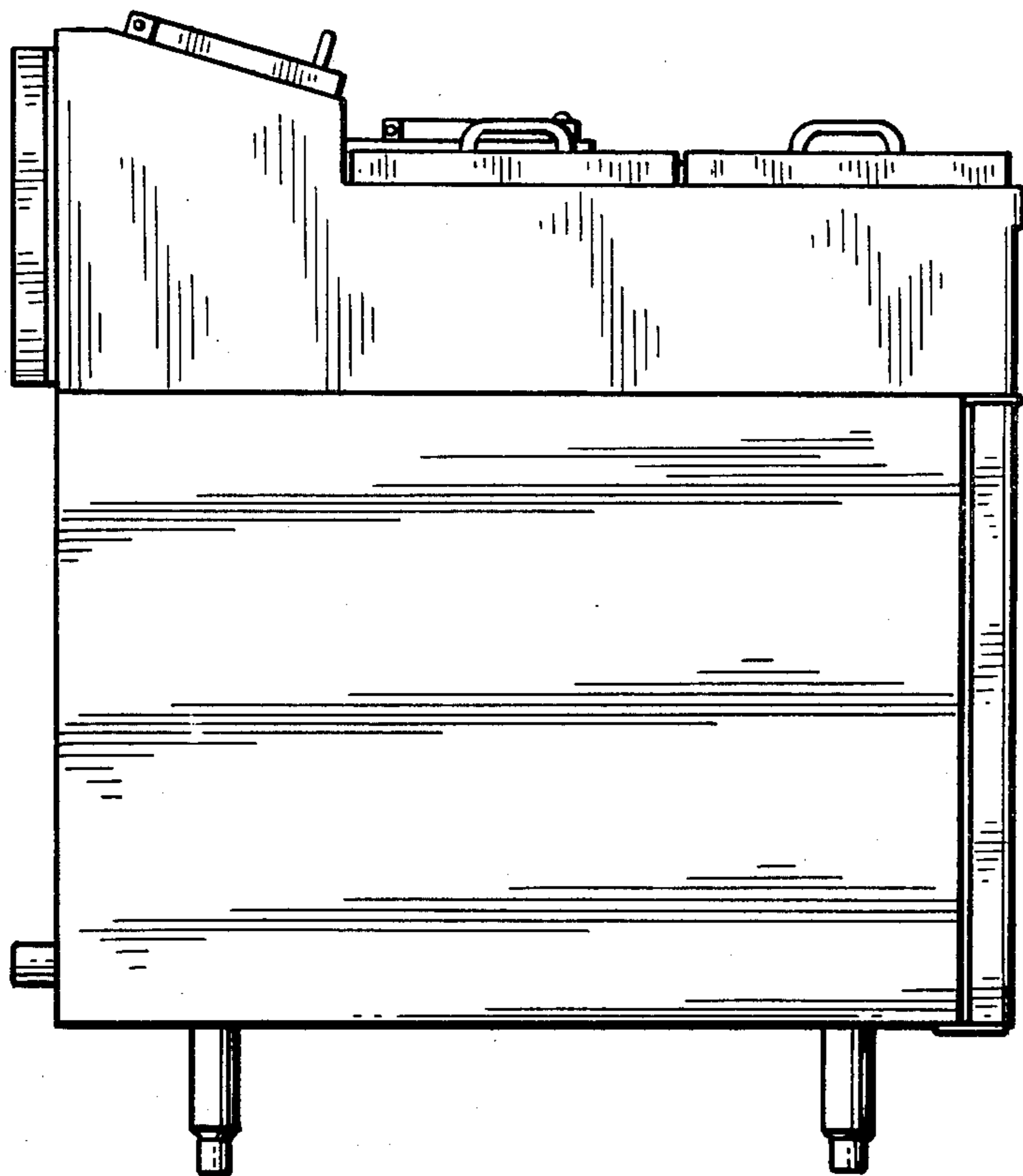
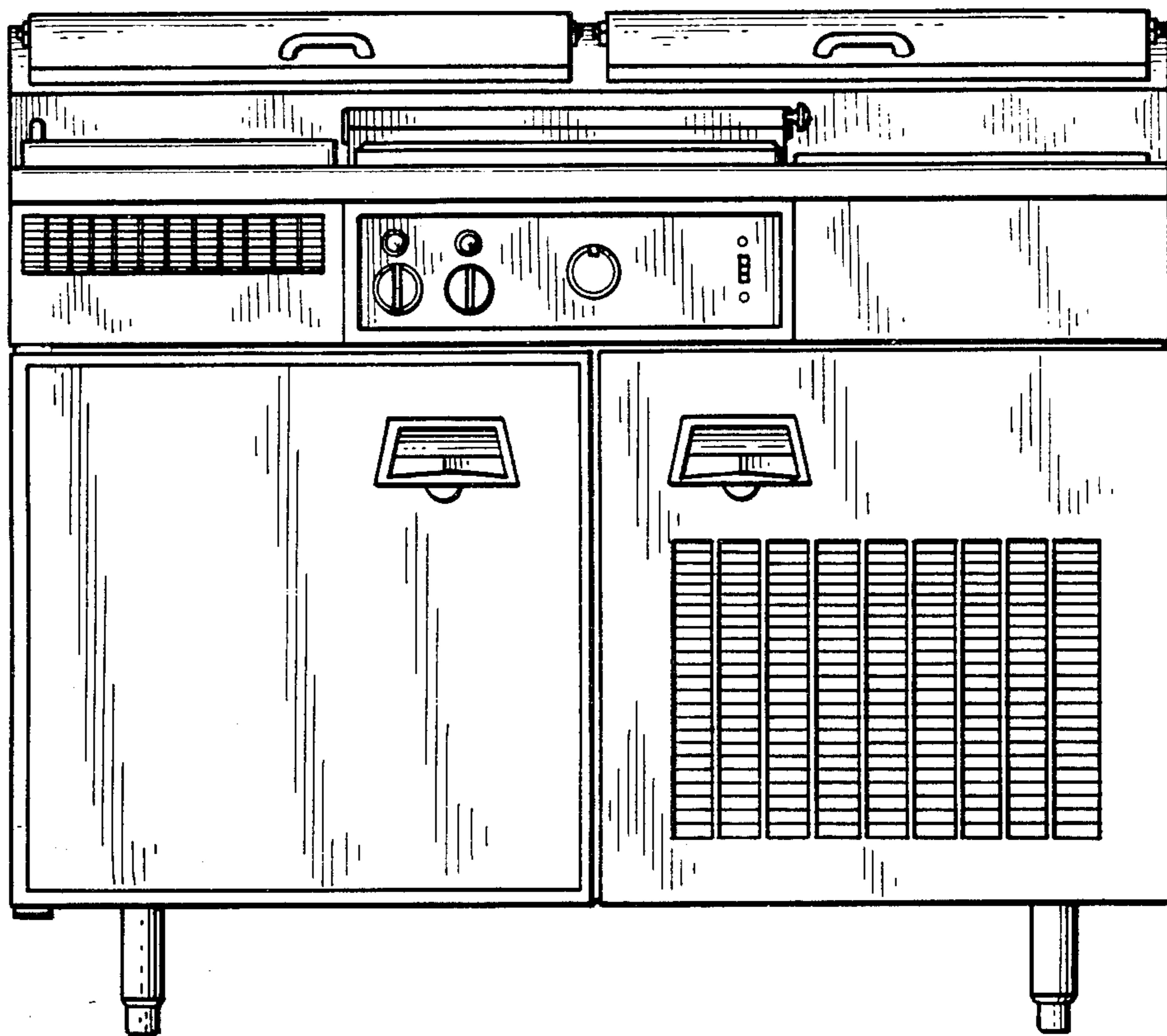


FIG. 6

FIG. 7

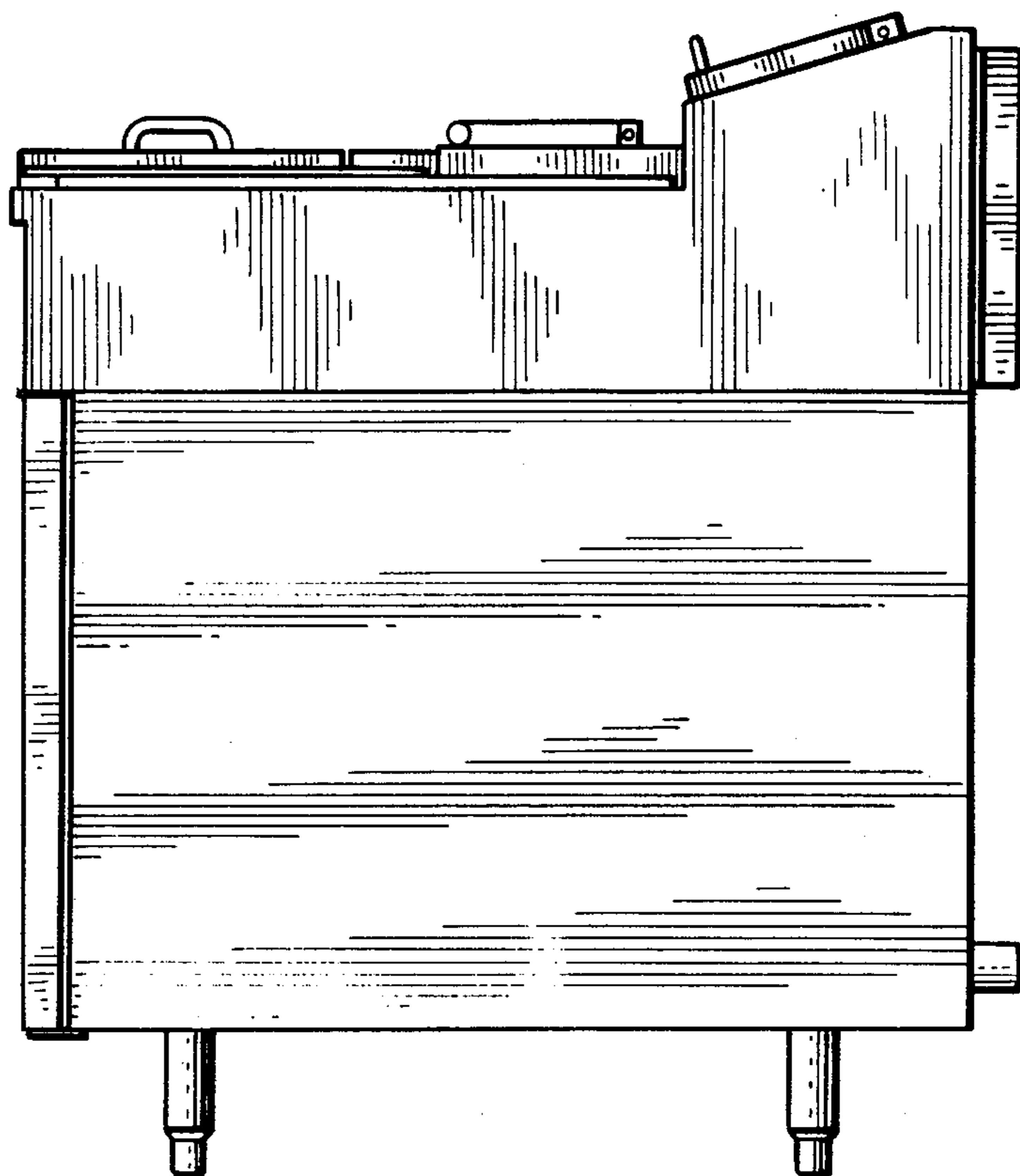


FIG. 8

