

[54] DRINK CUP HOLDER FOR AN AUTOMOBILE

[76] Inventor: Jon T. Johnson, 6071 Stanleyville Dr., Rural Hall, N.C. 27045

[**] Term: 14 Years

[21] Appl. No.: 629,184

[22] Filed: Jul. 9, 1984

[52] U.S. Cl. D3/40; D7/70

[58] Field of Search D7/70; D3/40; 248/311.2, 208; 108/44; 224/273, 311; 211/81

[56] References Cited

U.S. PATENT DOCUMENTS

- D. 162,959 4/1951 Janes et al. .
- D. 164,692 10/1951 Kelley .
- D. 214,934 8/1969 Pitts D7/99

- D. 226,623 4/1973 Shuford D7/70
- D. 228,304 9/1973 Lerew D7/70
- D. 265,351 7/1982 Wooters D3/40
- 1,810,836 6/1931 Laubenstein 248/311.2
- 2,628,054 2/1953 Fazakerley 248/311.2
- 3,128,983 4/1964 Wood 248/208
- 3,128,984 4/1964 Palm 248/311.2

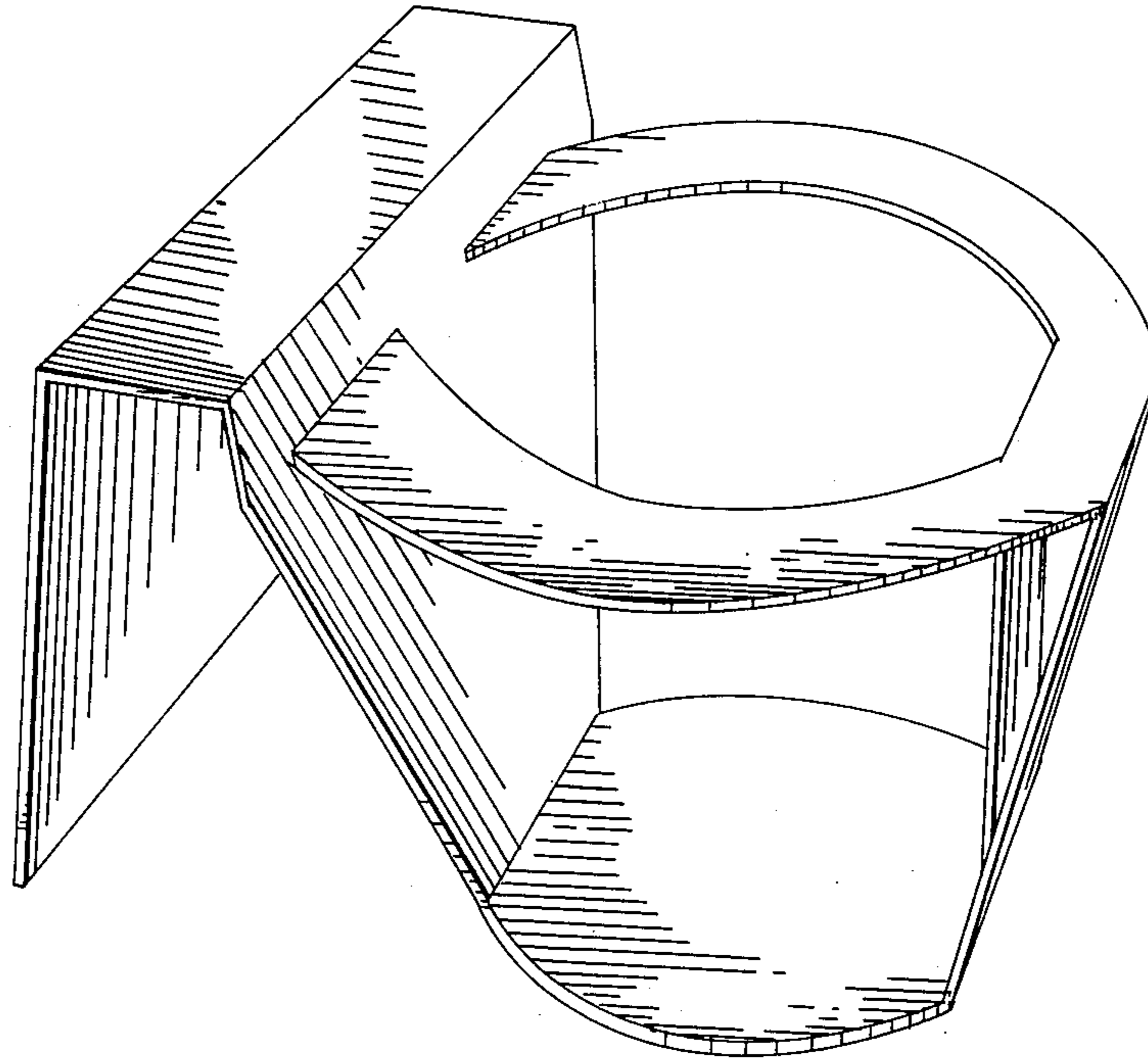
Primary Examiner—George P. Word

[57] CLAIM

The ornamental design for a drink cup holder for an automobile, as shown and described.

DESCRIPTION

FIG. 1 is a perspective view of a drink cup holder for an automobile showing my new design; FIG. 2 is a right side elevational view thereof; FIG. 3 is a front elevational view thereof; FIG. 4 is a rear elevational view thereof; and FIG. 5 is a bottom plan view thereof.



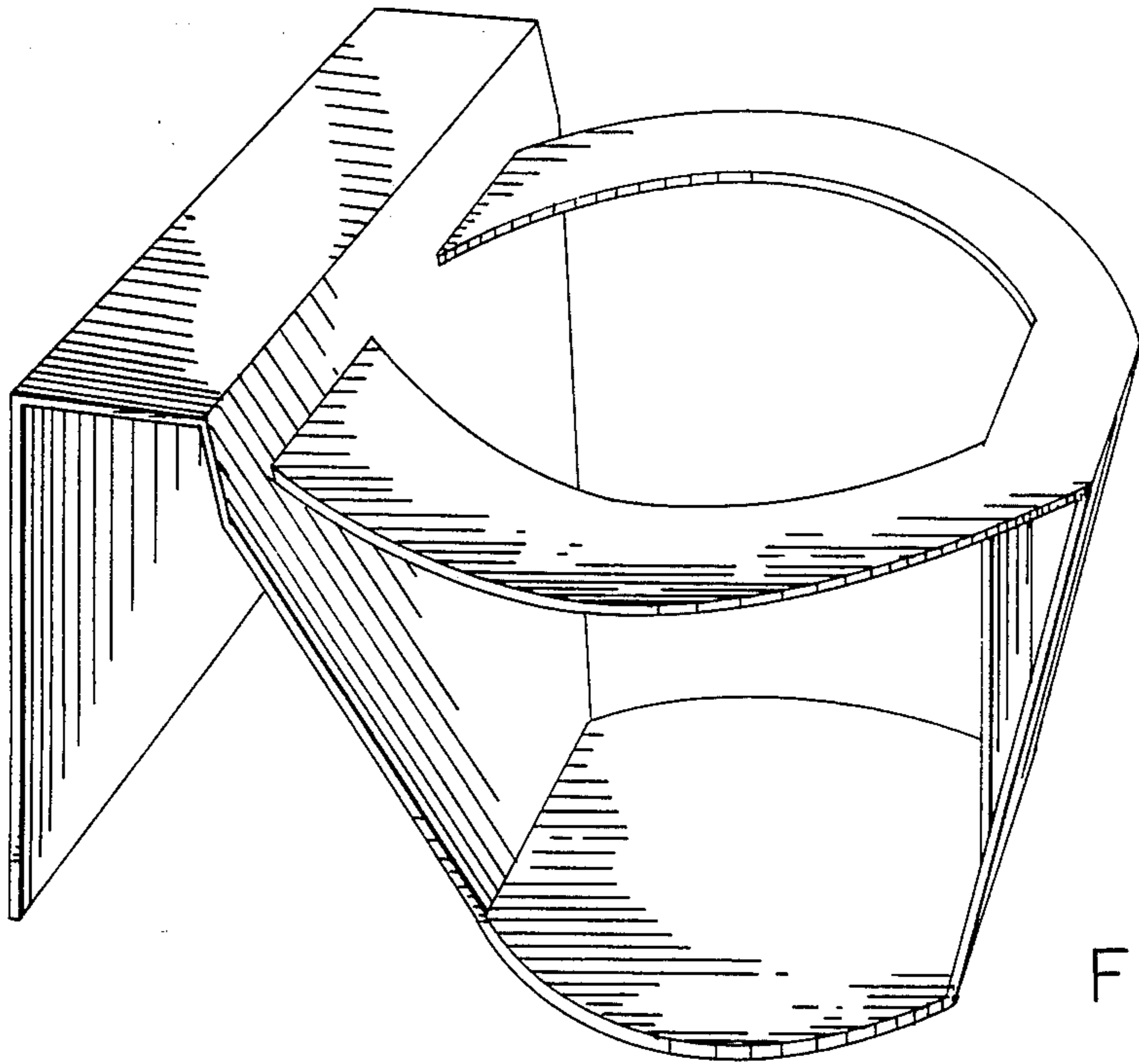


FIG. 1

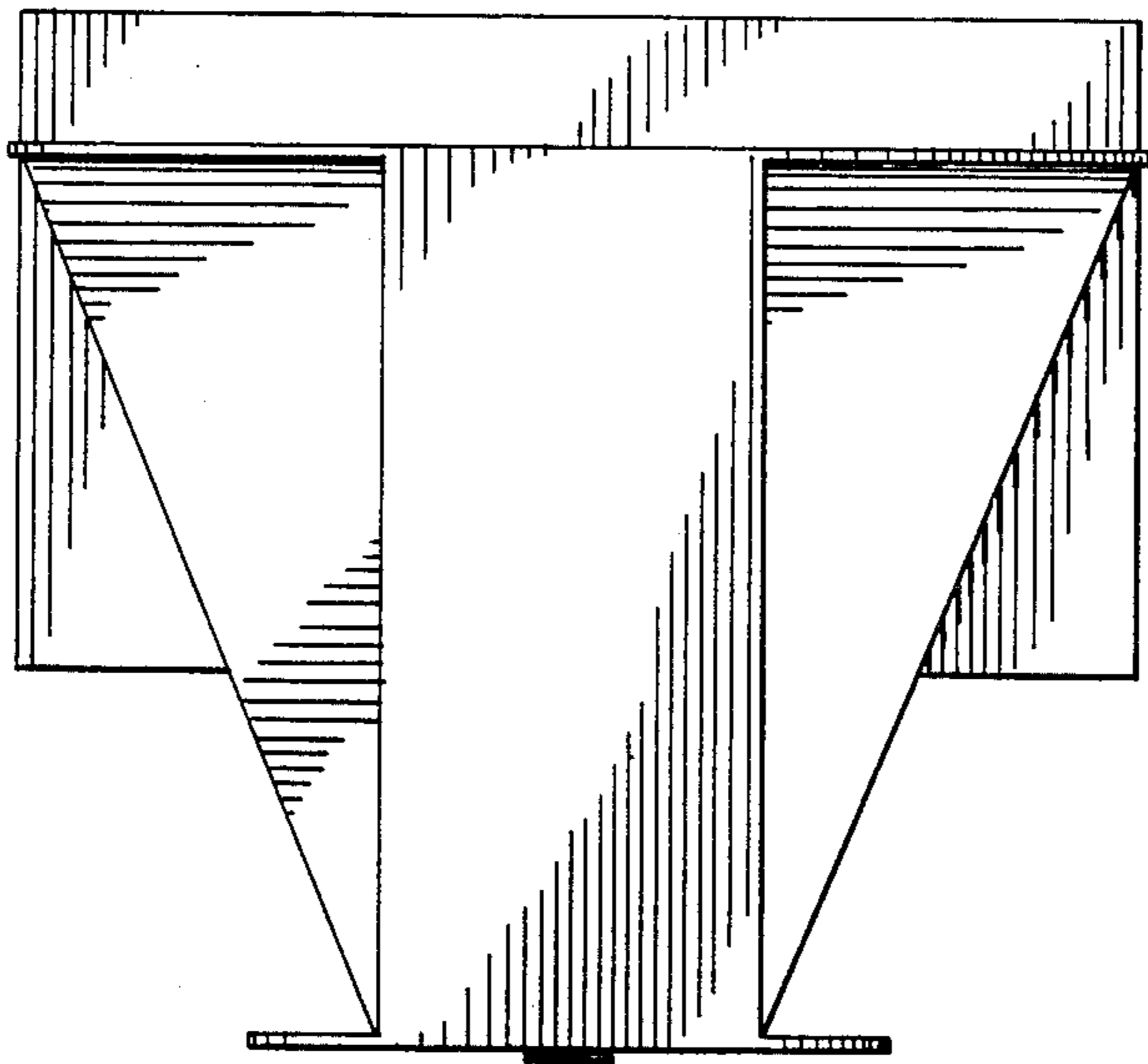


FIG. 3

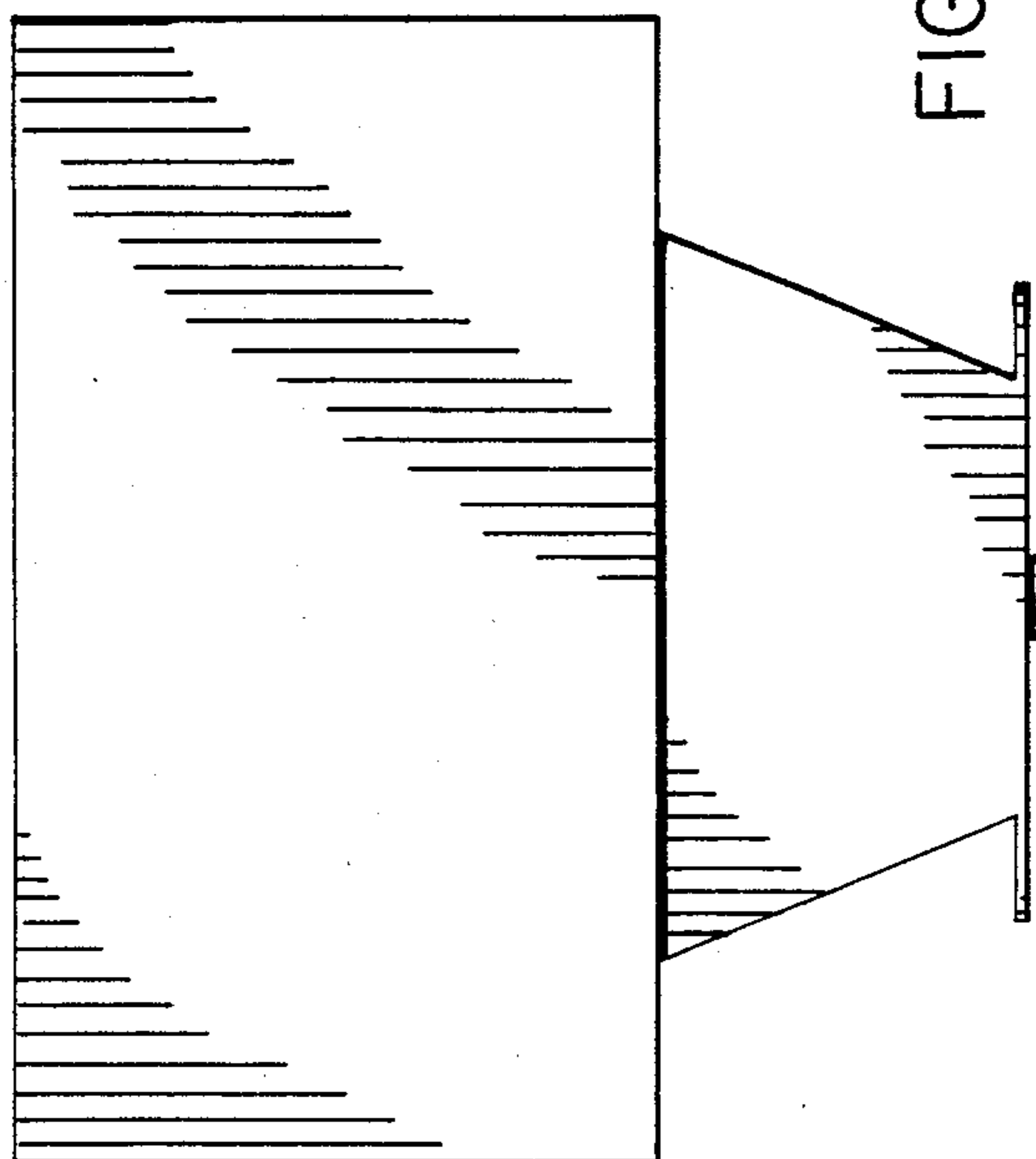


FIG. 4

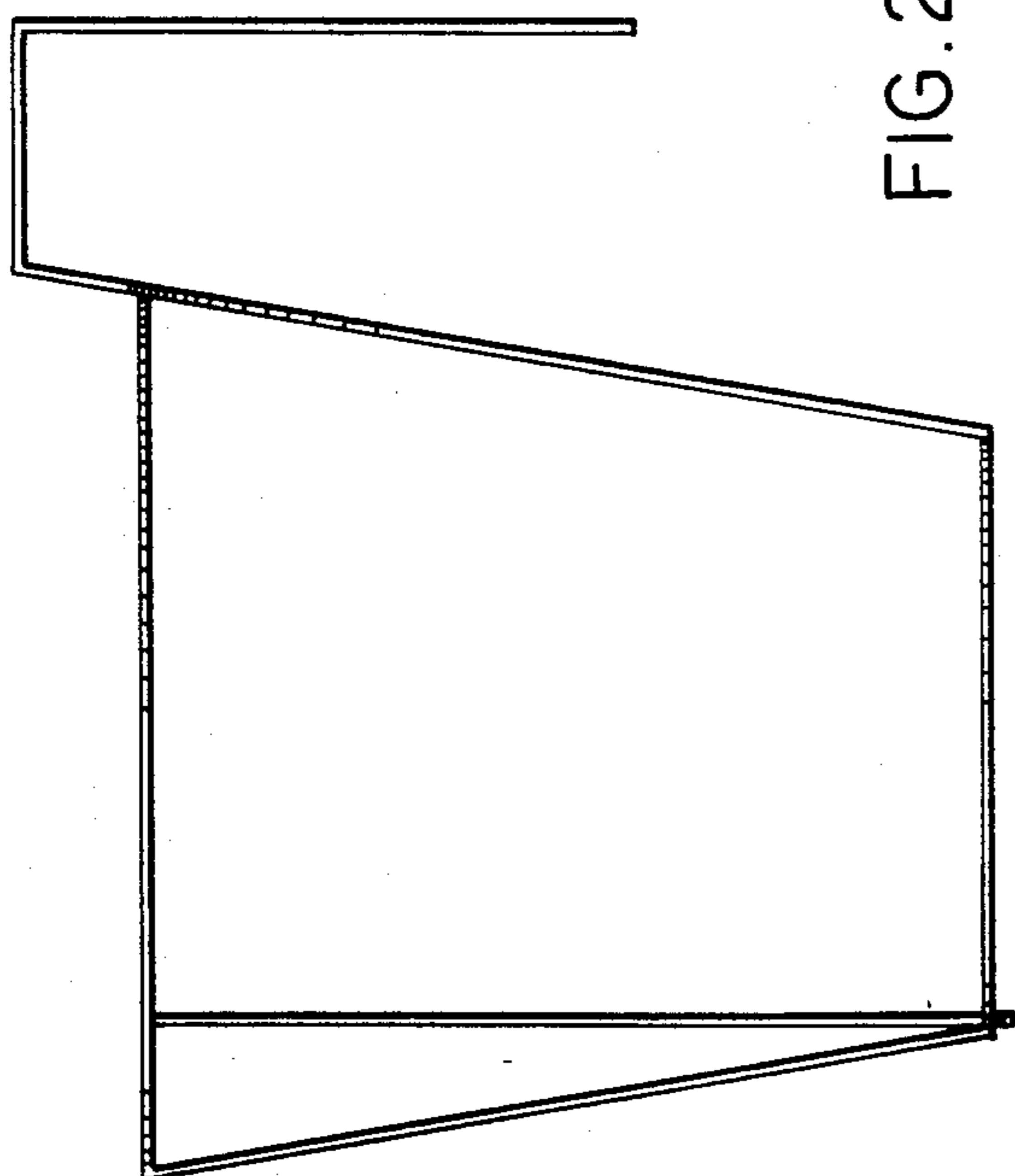


FIG. 2

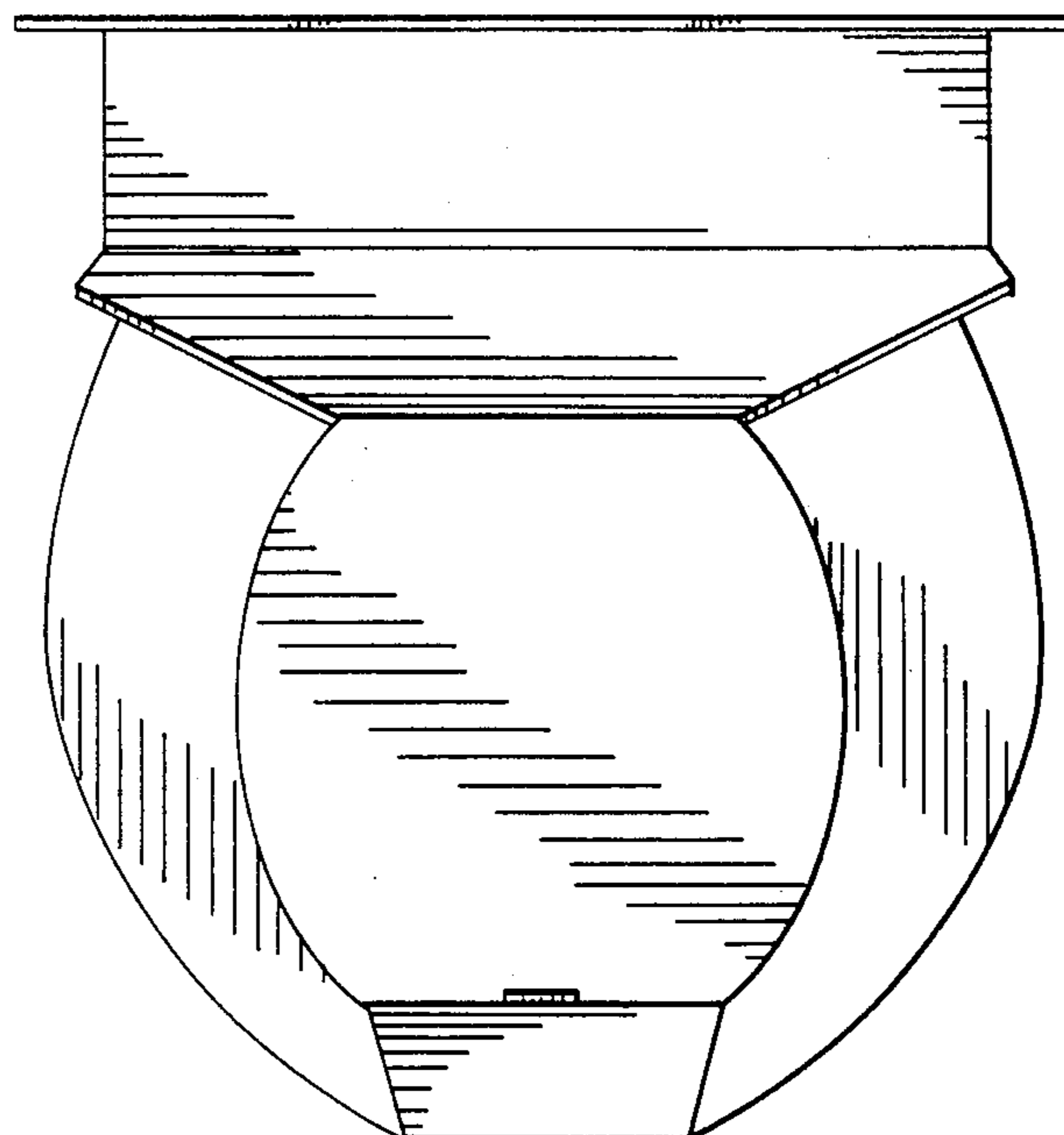


FIG. 5