

[54] **CASSETTE TAPE HOLDER**

[75] **Inventor:** Richard S. Dunchock, South Laguna, Calif.

[73] **Assignee:** SL Corporation, Troy, Mich.

[\*\*] **Term:** 14 Years

[21] **Appl. No.:** 642,532

[22] **Filed:** Aug. 20, 1984

[52] **U.S. Cl.** ..... D3/35; D19/78; D19/92

[58] **Field of Search** ..... D3/35, 74, 78; D19/76, D19/78, 92; 206/387, 425, 444, 472

[56] **References Cited**

**U.S. PATENT DOCUMENTS**

D. 188,831 9/1960 Olson ..... D19/92  
D. 258,469 3/1981 Lee ..... D3/78

D. 259,676 6/1981 Akeret ..... D3/35  
D. 273,798 5/1984 Pearson ..... D19/78

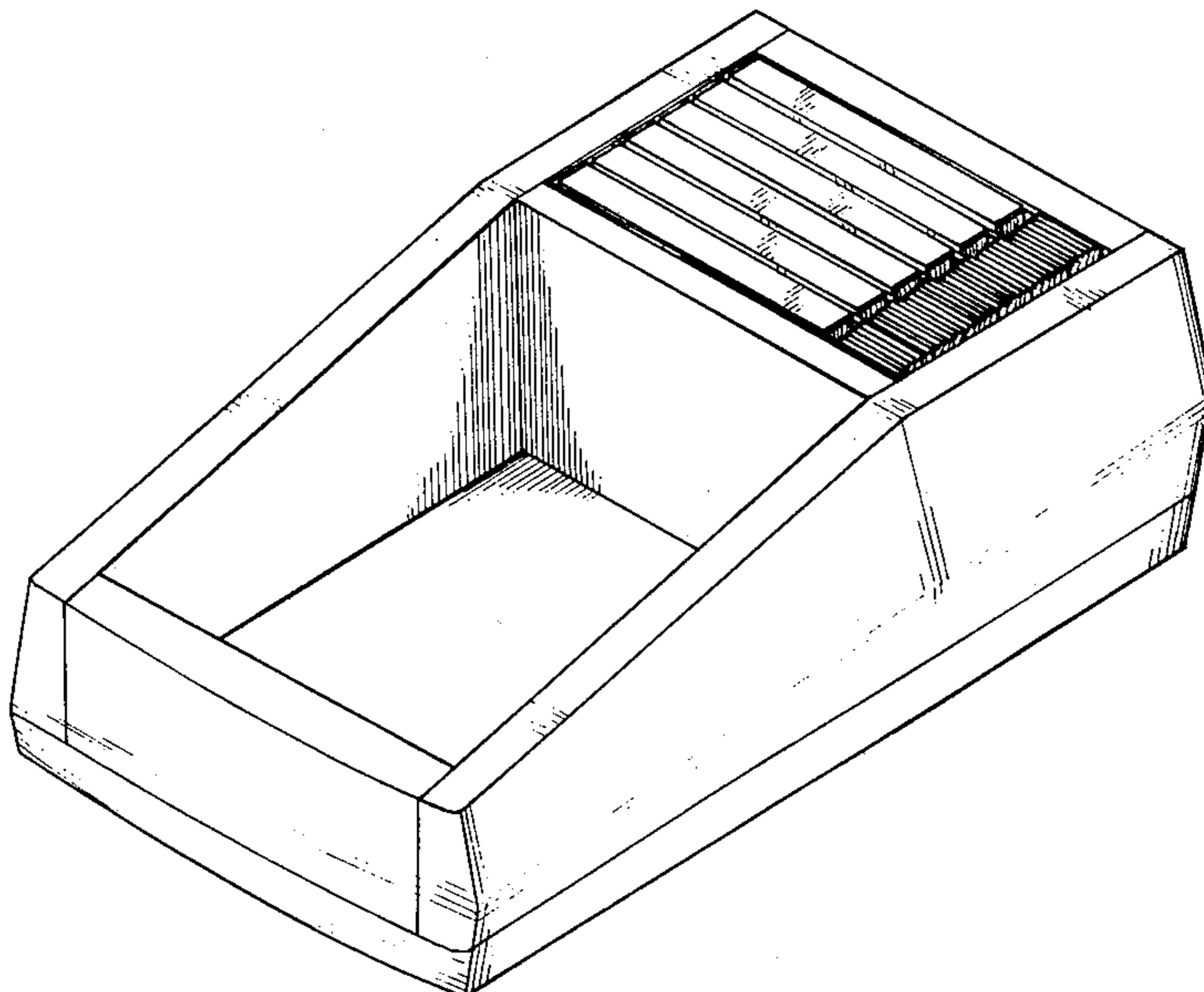
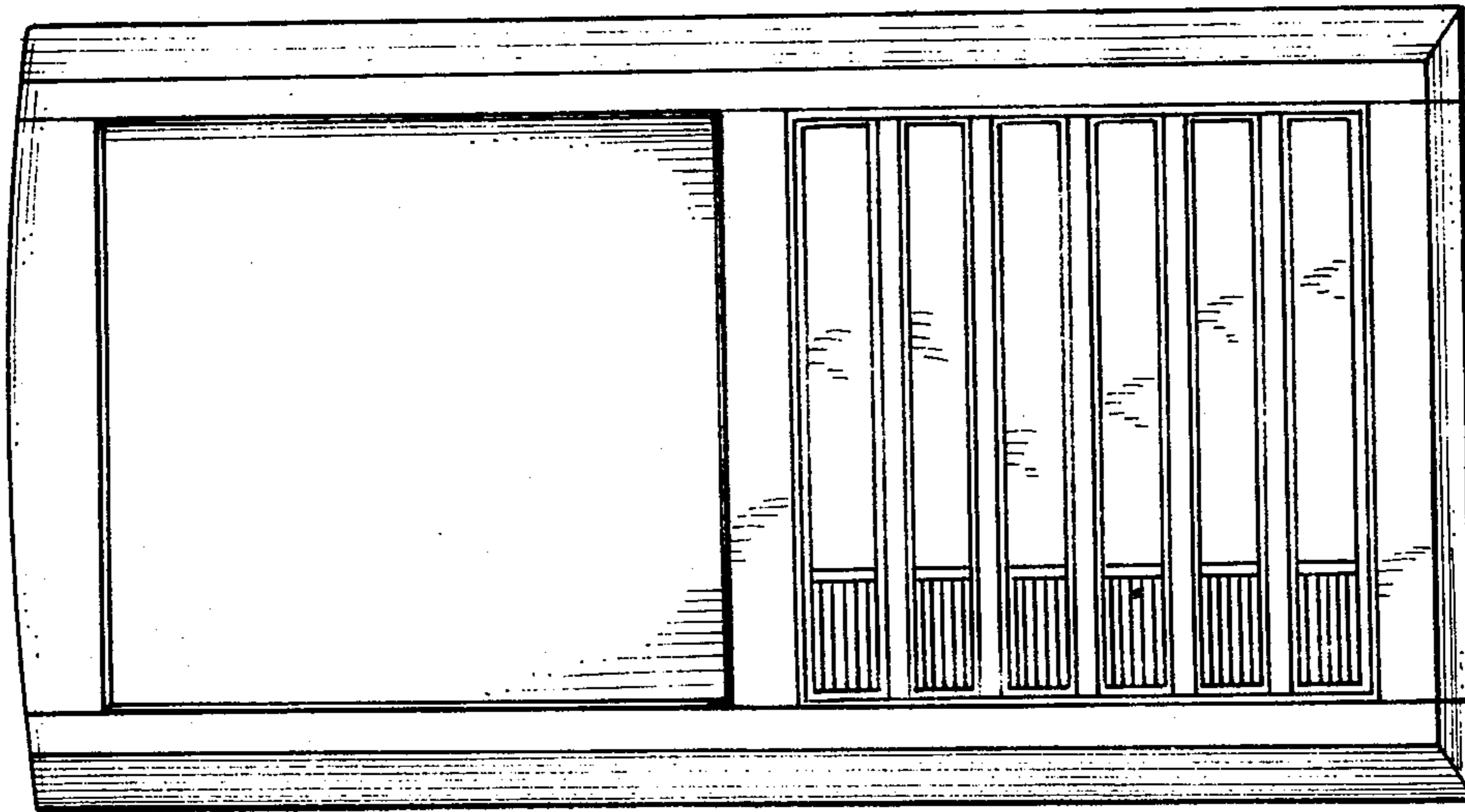
*Primary Examiner*—George P. Word  
*Attorney, Agent, or Firm*—Basile, Weintraub and Hanlon

[57] **CLAIM**

The ornamental design for a cassette tape holder, as shown and described.

**DESCRIPTION**

FIG. 1 is a right side perspective view of a cassette tape holder showing my new design;  
FIG. 2 is a front elevational view thereof;  
FIG. 3 is a rear elevational view thereof;  
FIG. 4 is a right side elevational view thereof which is an identical mirror image of the left side elevational view thereof;  
FIG. 5 is a top plan view thereof; and  
FIG. 6 is a bottom plan view thereof.



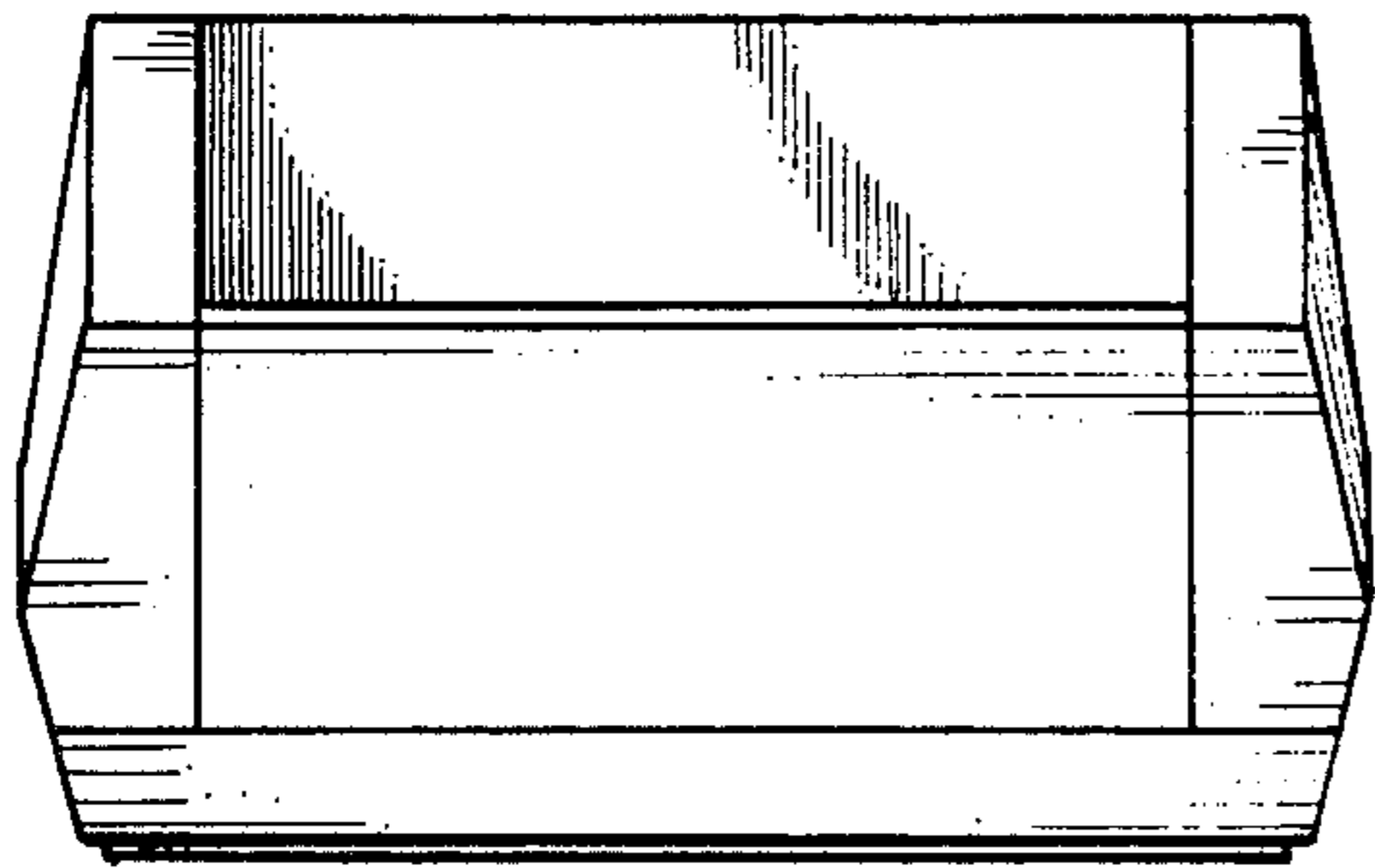


FIG - 2

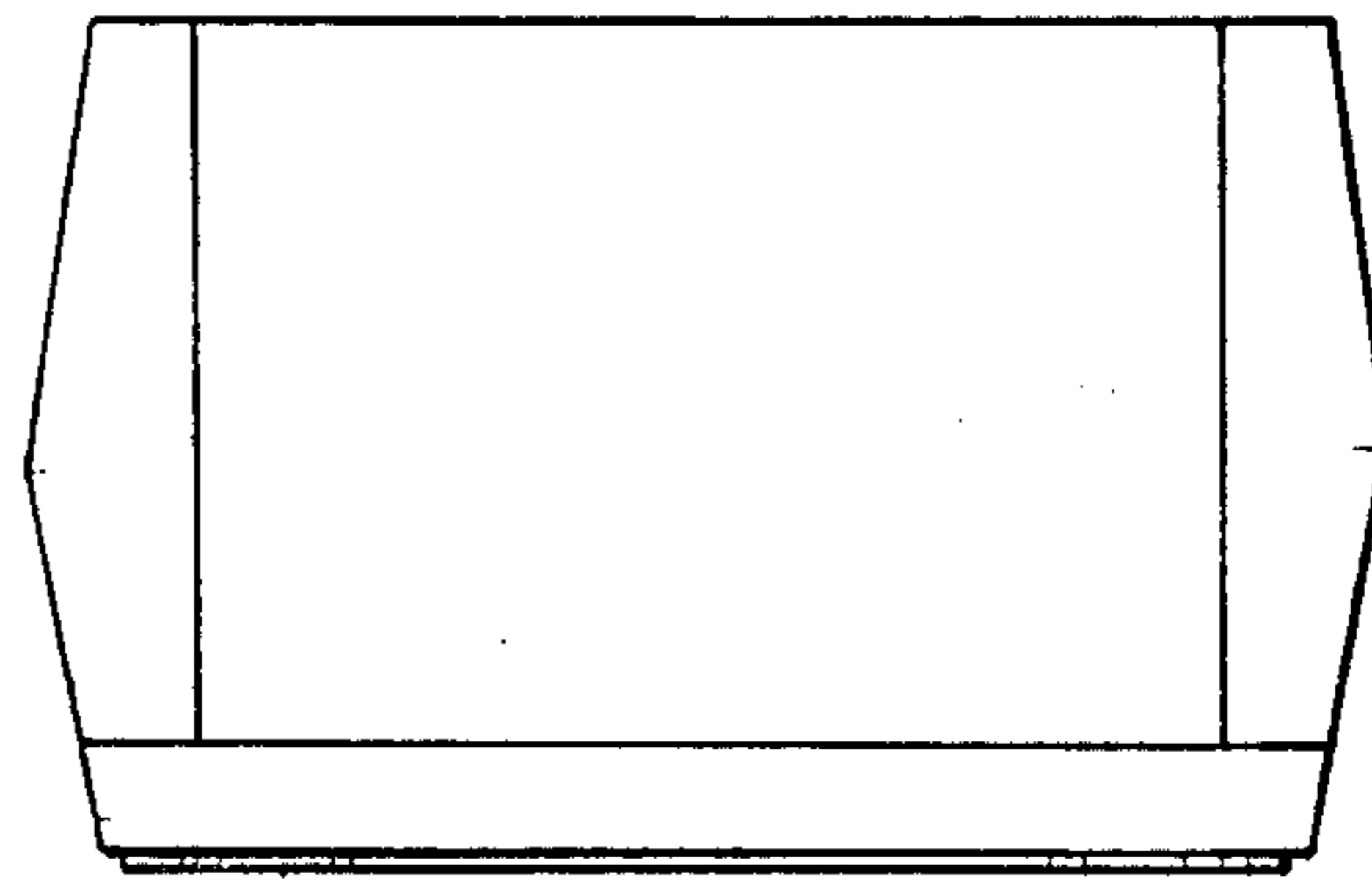


FIG - 3

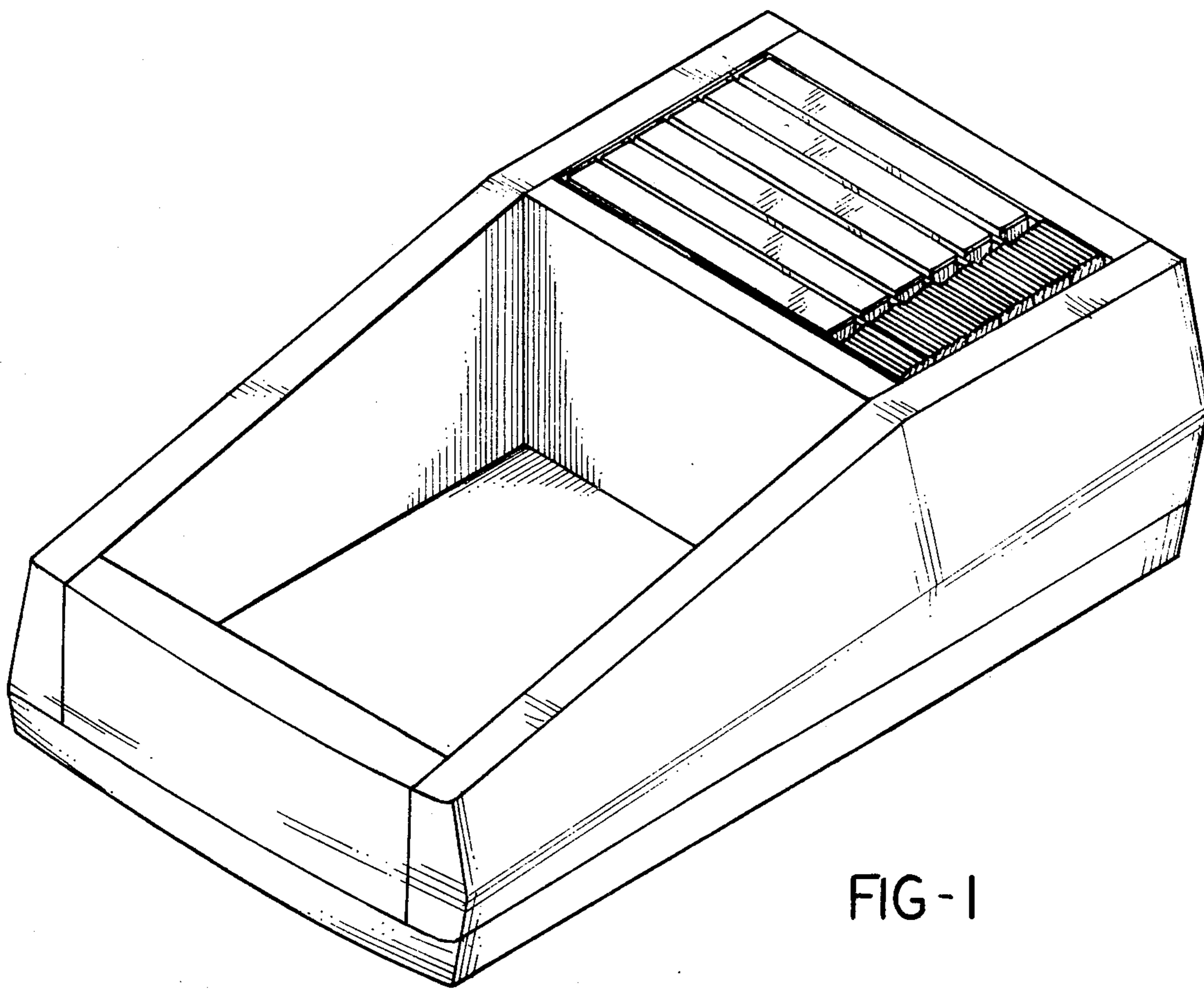


FIG - 1

FIG-4

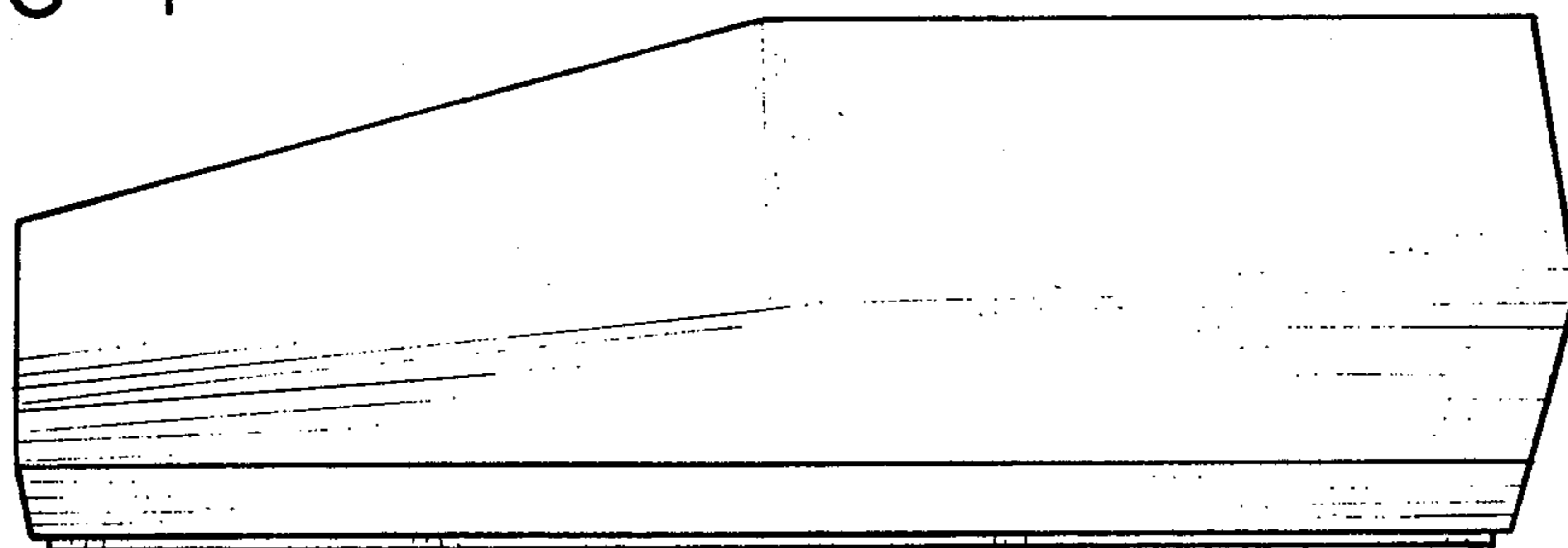


FIG-5

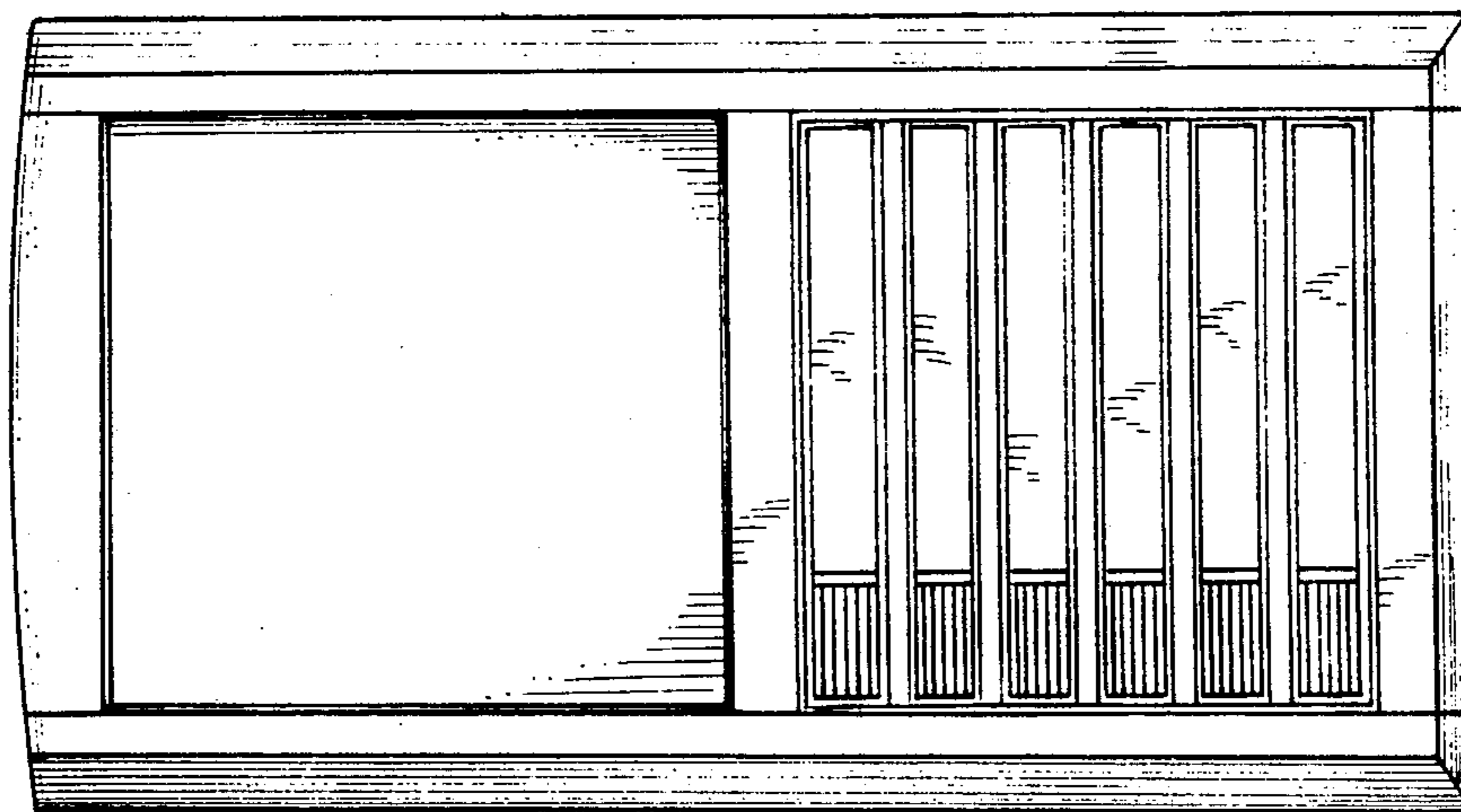


FIG-6

