

[54] **BOOTJACK**

[76] **Inventor: Charles L. Lauhoff, Rte. 2, Box 578, Amarillo, Tex. 79101**

[**] **Term: 14 Years**

[21] **Appl. No.: 623,414**

[22] **Filed: Jun. 22, 1984**

[52] **U.S. Cl. D2/642**

[58] **Field of Search D2/378.2, 378.1; D6/411, 412, 413, 414, 415; 223/111, 113, 114, 115, 116, 117**

[56] **References Cited**

U.S. PATENT DOCUMENTS

D. 102,230 12/1936 Lagomarsino D6/411
D. 146,722 4/1947 Leitner D2/378.2
D. 247,141 2/1978 Bailey D2/378.2

FOREIGN PATENT DOCUMENTS

30480 10/1907 Austria 223/113
636895 10/1936 Fed. Rep. of Germany 223/115
2516520 10/1976 Fed. Rep. of Germany 223/114
16865 of 1889 United Kingdom 223/113

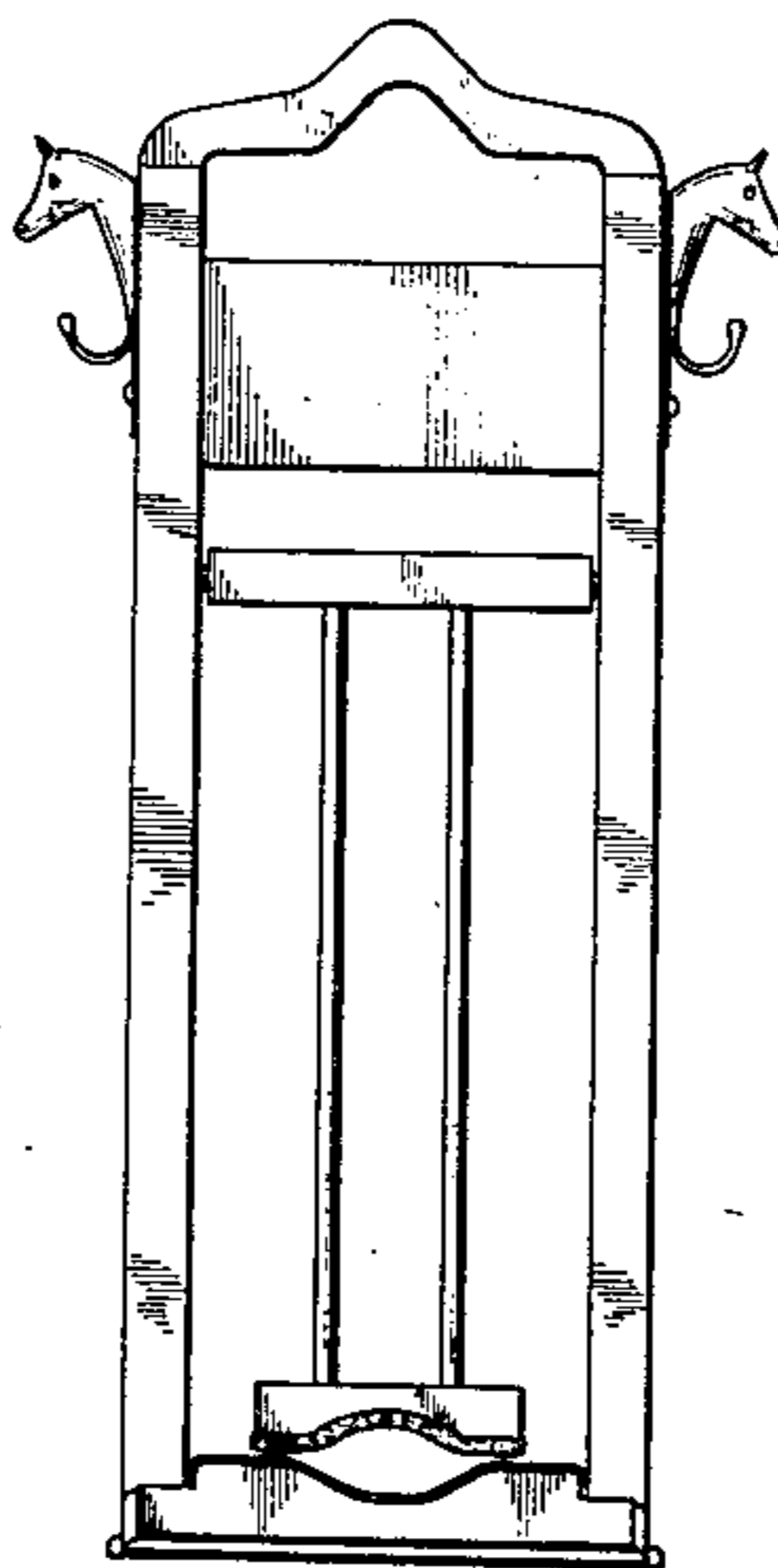
Primary Examiner—Bernard Ansher
Assistant Examiner—Theodore M. Shooman
Attorney, Agent, or Firm—Royslance, Abrams, Berdo & Goodman

[57] **CLAIM**

The ornamental design for a bootjack, as shown and described.

DESCRIPTION

FIG. 1 is a front elevational view of a bootjack showing my new design;
FIG. 2 is a top plan view thereof;
FIG. 3 is a bottom plan view thereof;
FIG. 4 is a right side elevational view thereof, the left side being a mirror image; and
FIG. 5 is a rear elevational view thereof.



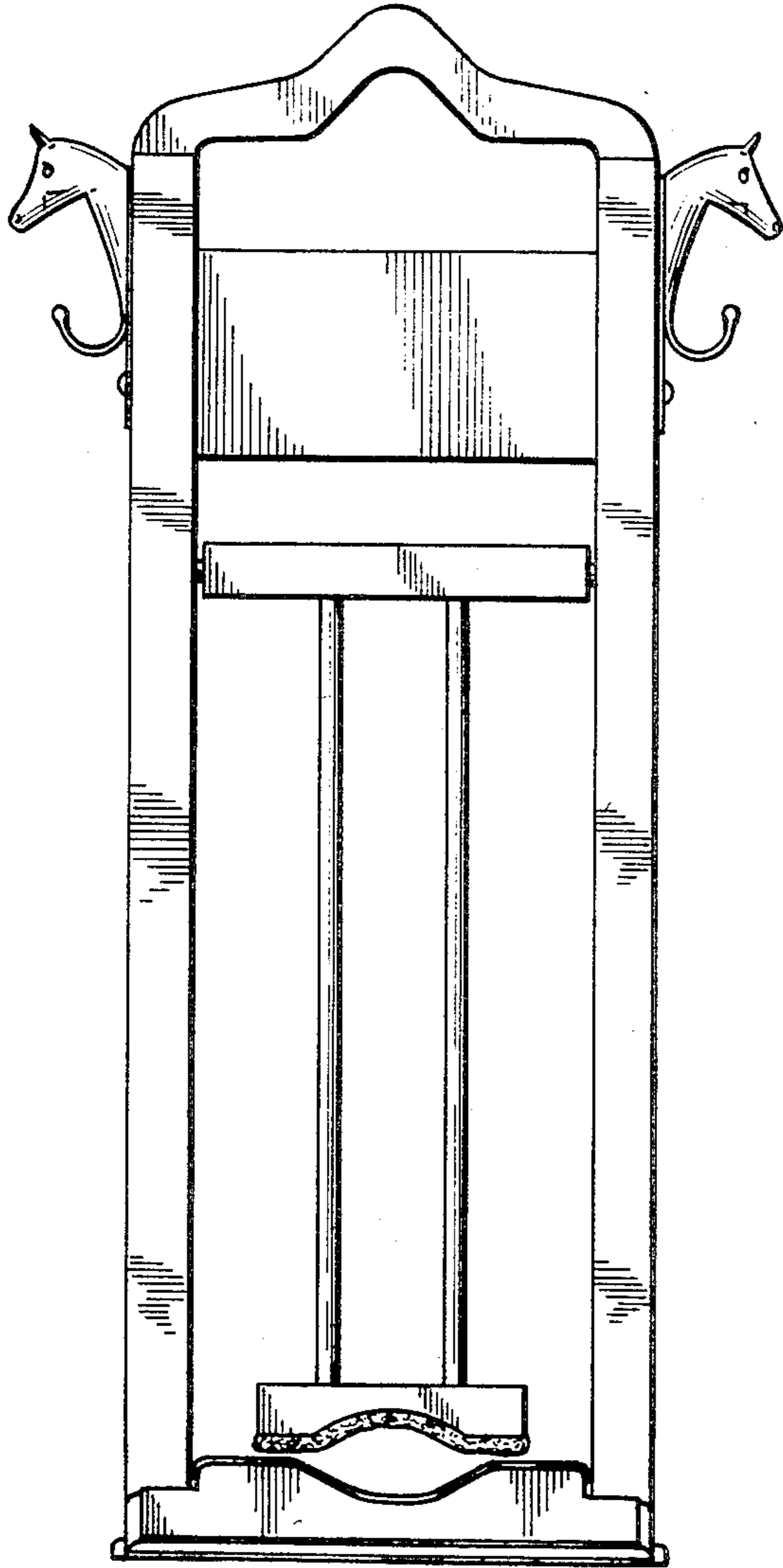


FIG. 1

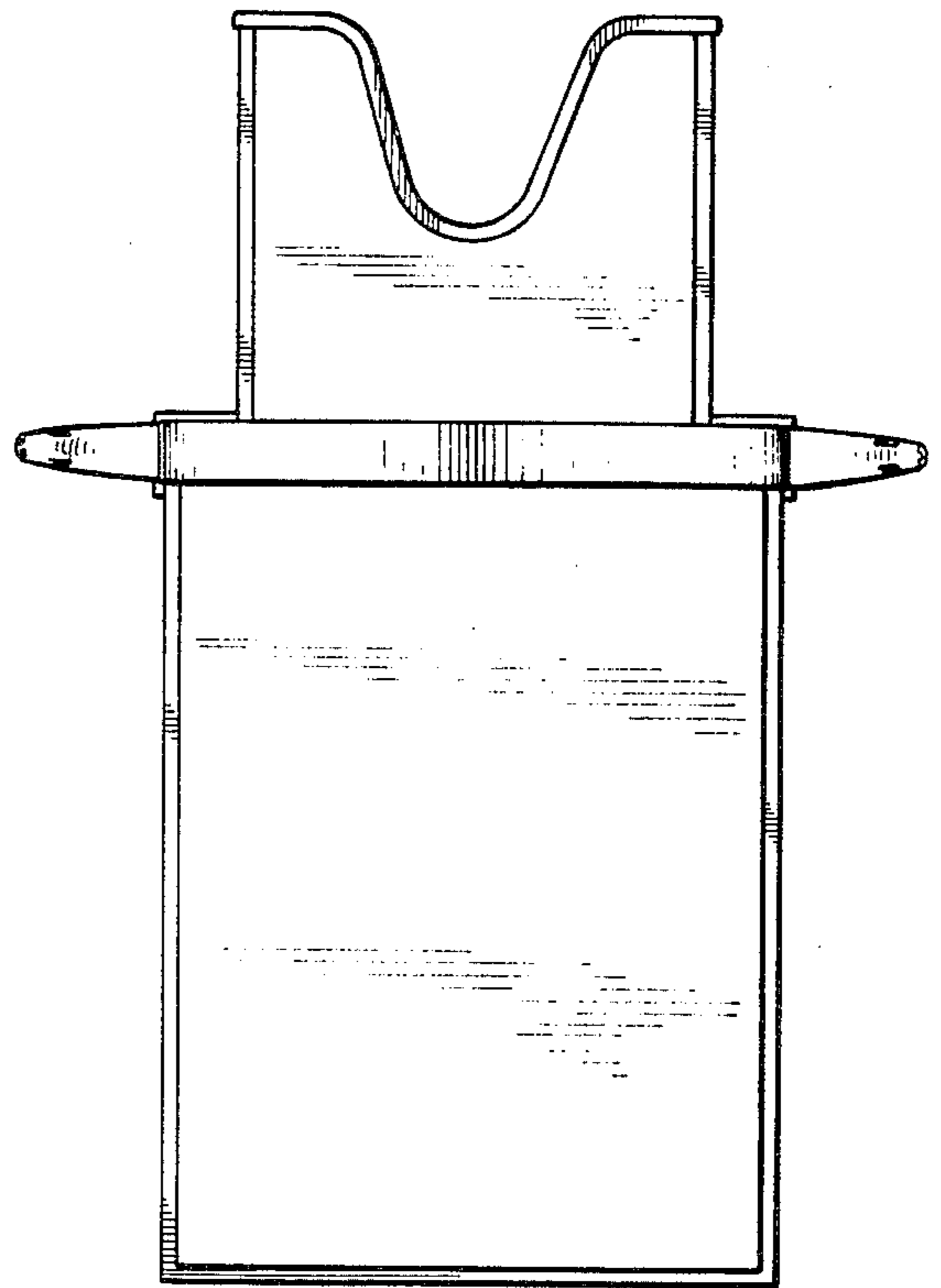


FIG. 2

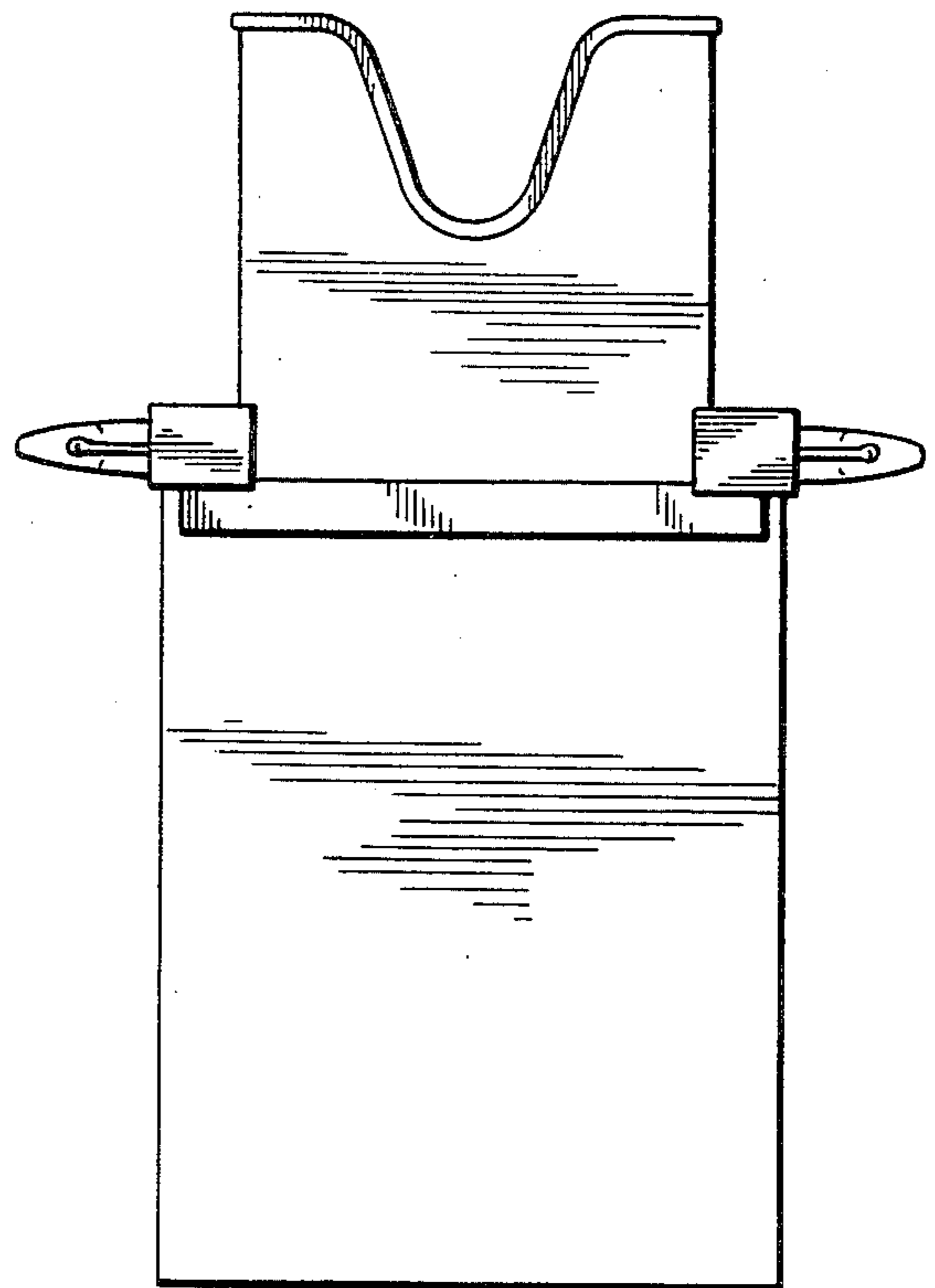


FIG. 3

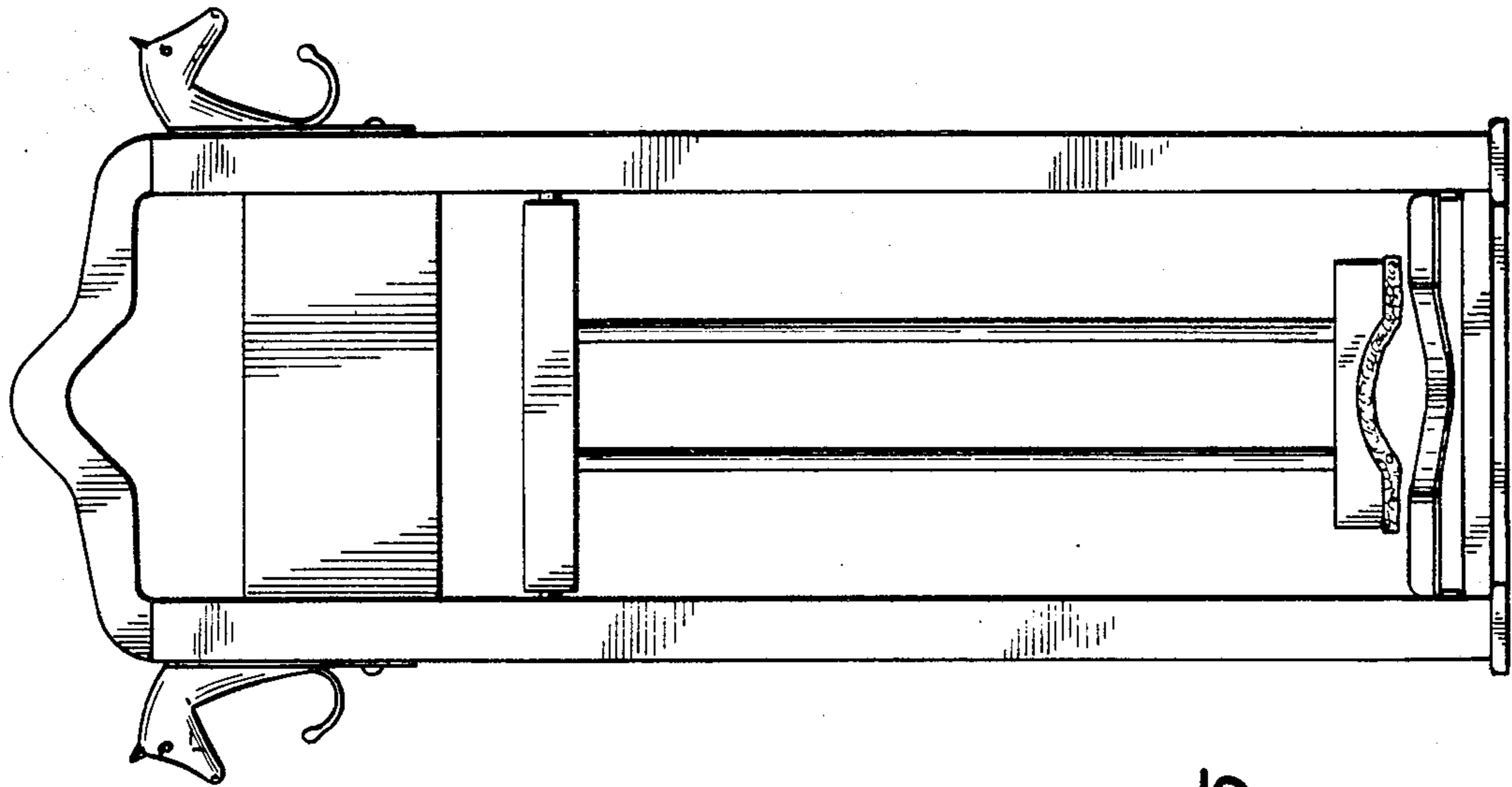


FIG. 5

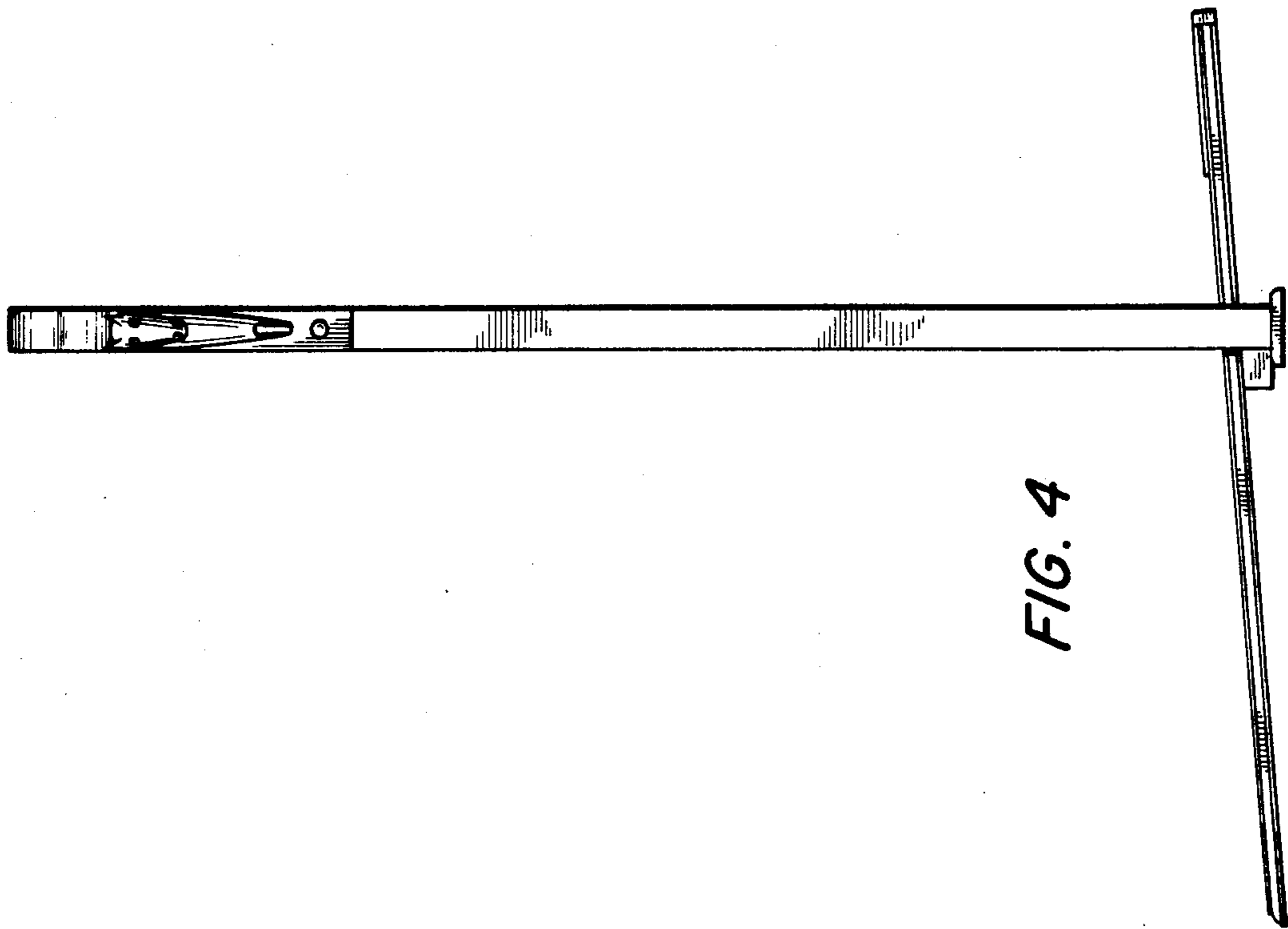


FIG. 4