

[54] CONVERTIBLE LUGGAGE/SHOPPING CART

D. 280,564	9/1985	Wilson	D34/25
D. 282,787	2/1986	Nichols	D34/25
D. 284,319	6/1986	Yamamoto et al.	D32/21
3,887,208	6/1975	Vidal	D34/26

[75] Inventor: Hans E. Slany, Esslingen, Fed. Rep. of Germany

Primary Examiner—George P. Word
Attorney, Agent, or Firm—Frishauf, Holtz, Goodman & Woodward

[73] Assignee: Leifheit International AG, Nassau, Fed. Rep. of Germany

[**] Term: 14 Years

[57] CLAIM

[21] Appl. No.: 625,387

The ornamental design for a convertible luggage/shopping cart, as shown and described.

[22] Filed: Jun. 27, 1984

DESCRIPTION

[30] Foreign Application Priority Data

Dec. 29, 1983 [DE] Fed. Rep. of Germany ... 6 MR 1281

[52] U.S. Cl. D34/25; D3/30.1; D3/73; D34/26

[58] Field of Search D3/30.1, 72-74, D3/76, 77, 41; D34/12, 14, 19, 24-26; D32/21; 280/40, 652, 47.26, 47.24, 47.17, 47.18; 190/18 A

FIG. 1 is a rear perspective view of a convertible luggage/shopping cart showing my new design in a closed position;

FIG. 2 is a rear elevational view thereof;

FIG. 3 is a top plan view thereof;

FIG. 4 is a front elevational view thereof;

FIG. 5 is a right side elevational view thereof;

FIG. 6 is a bottom plan view thereof;

FIG. 7 is a left front perspective view thereof in the open position;

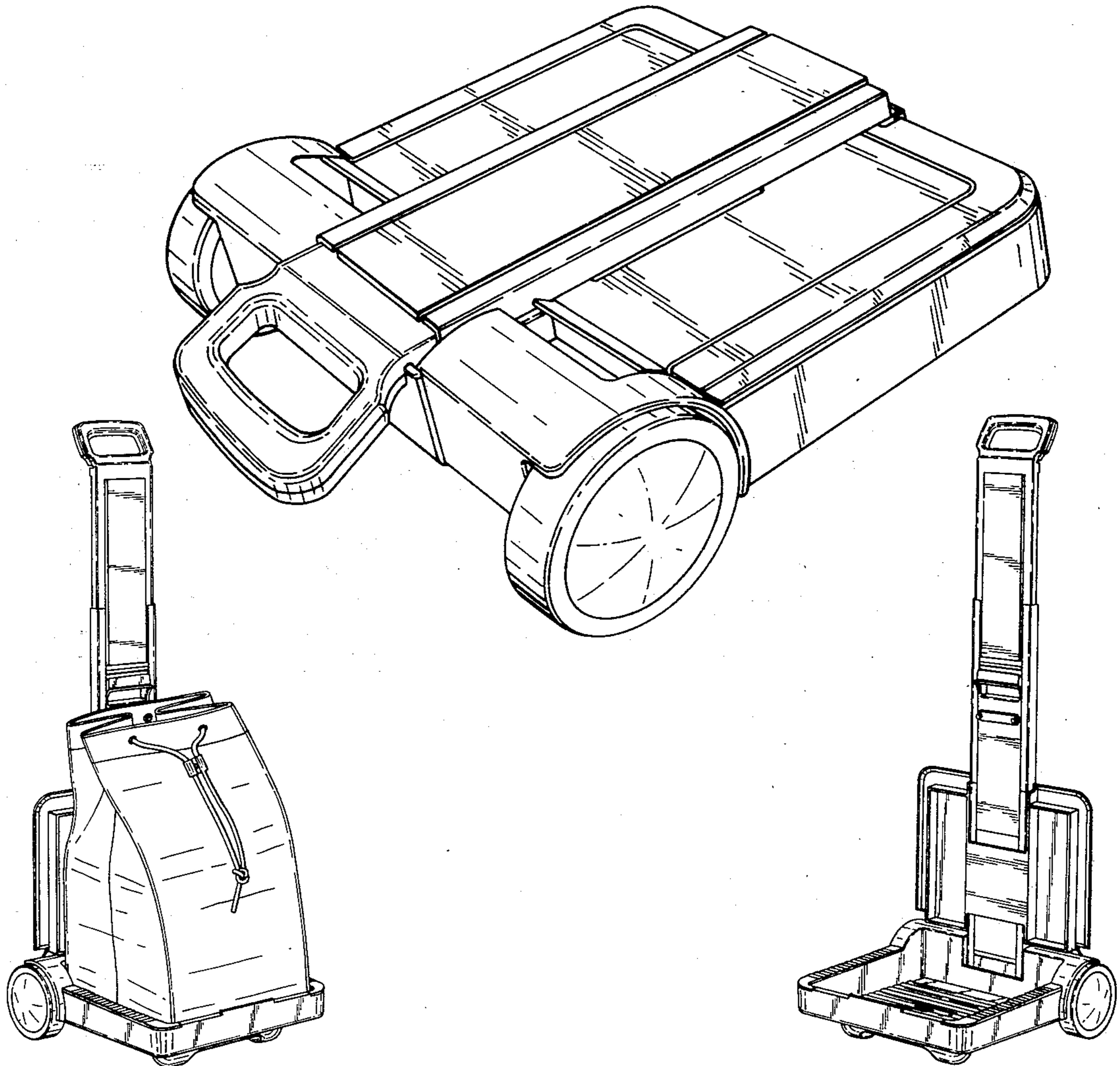
FIG. 8 is a rear perspective view of FIG. 7; and

FIG. 9 is a right front perspective view thereof in the open position with the shopping bag removed.

[56] References Cited

U.S. PATENT DOCUMENTS

D. 184,801	4/1959	Egan	D34/26
D. 220,414	4/1971	Marshall	D3/41



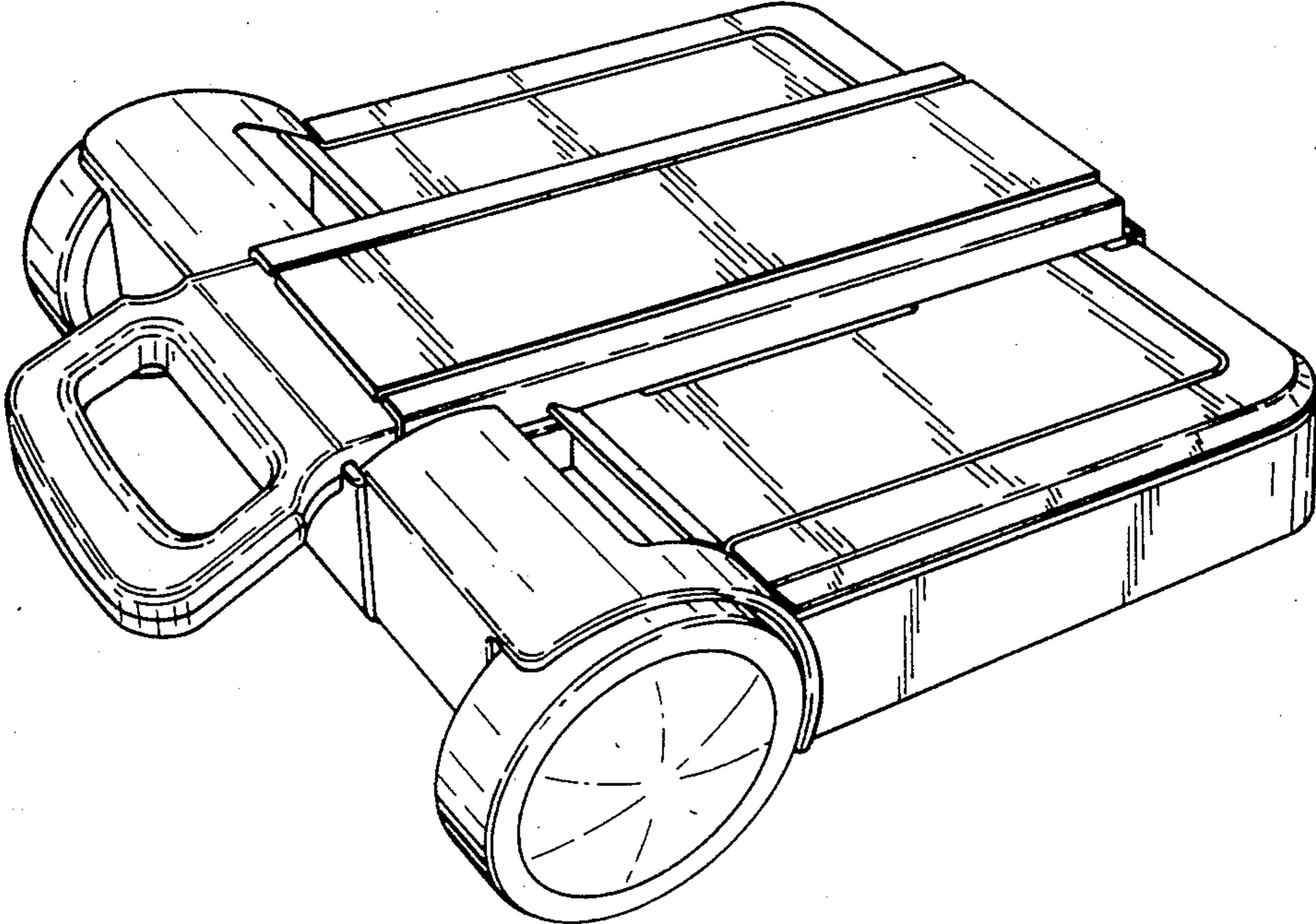
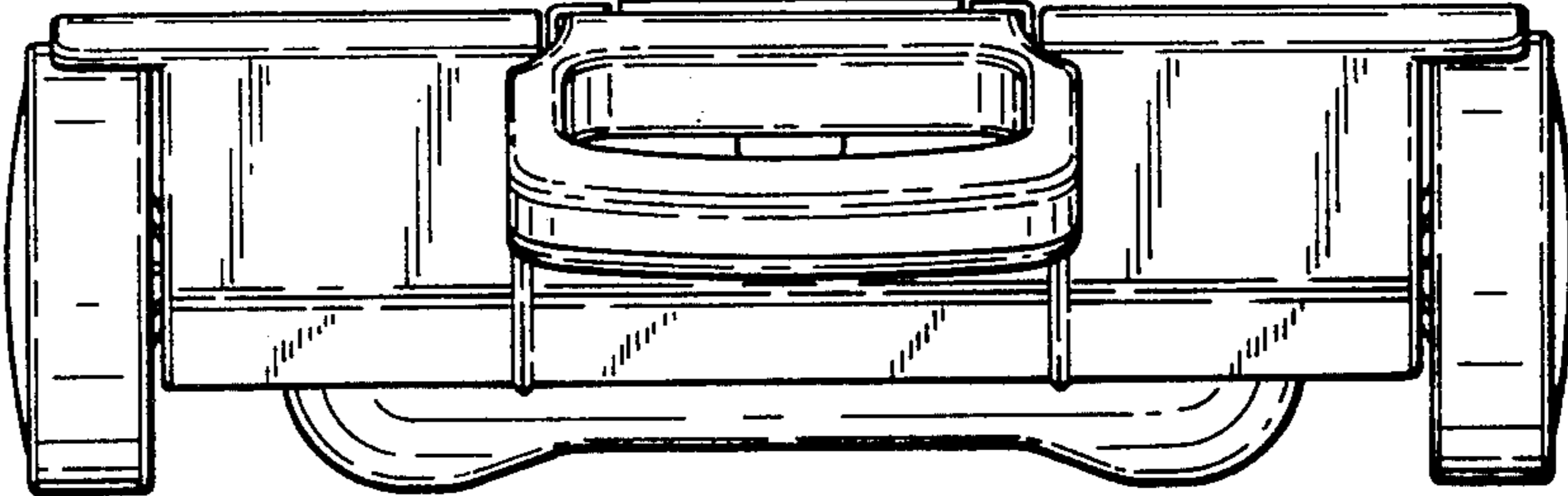


FIG. 1

FIG. 2



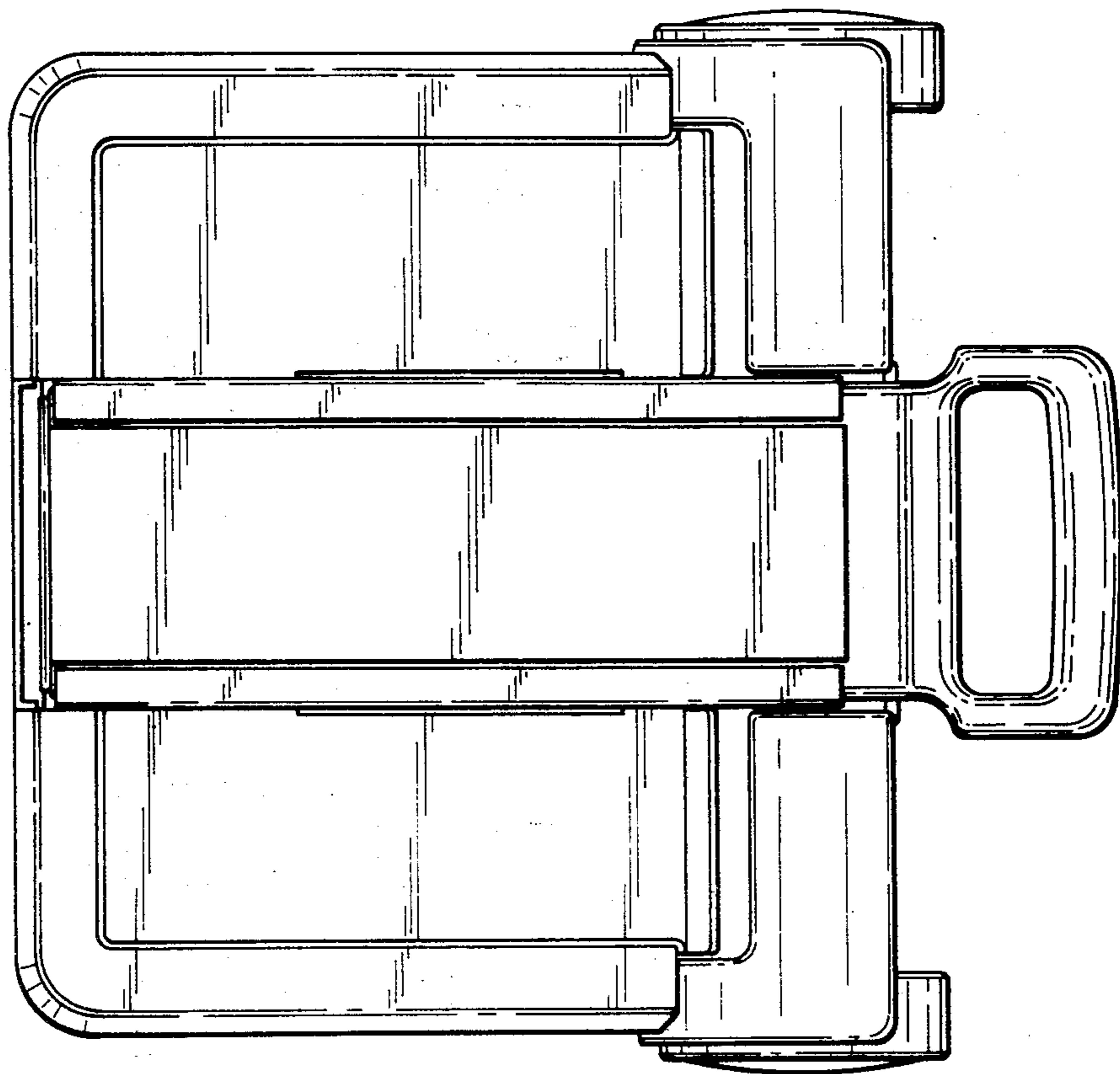
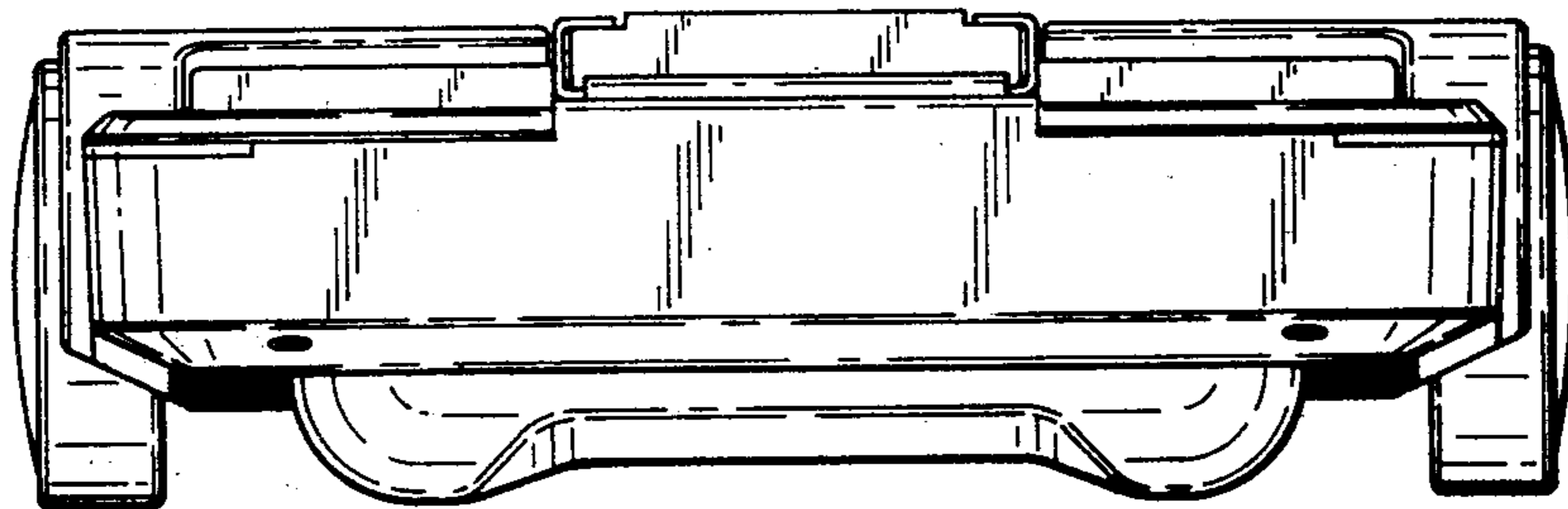


FIG. 3

FIG. 4



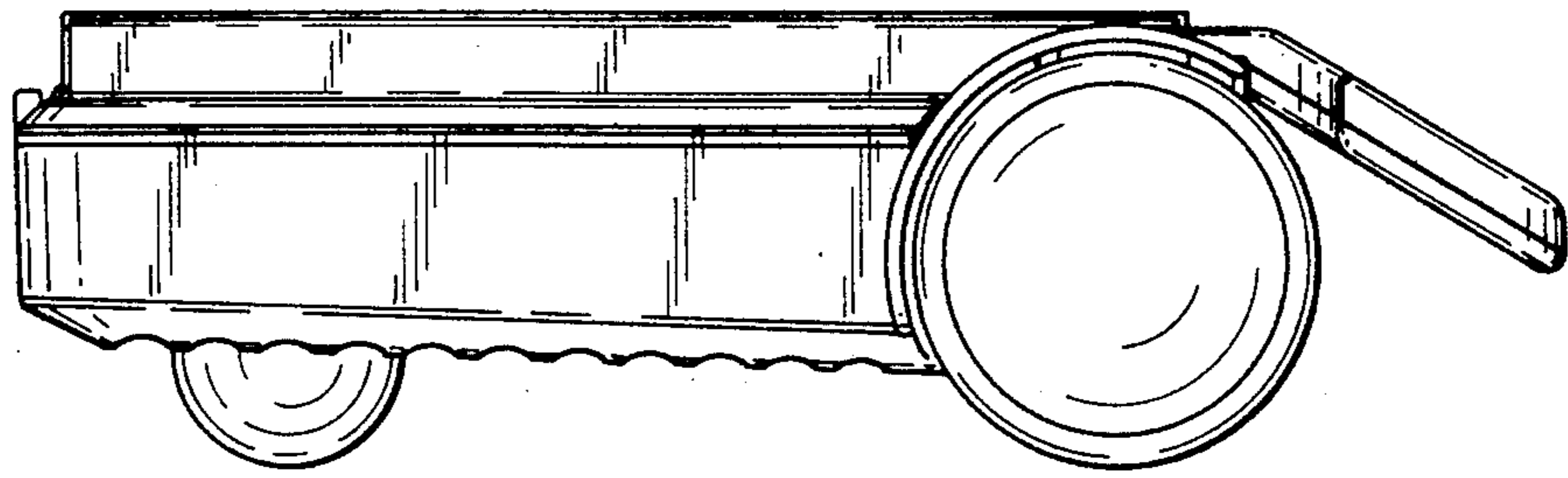
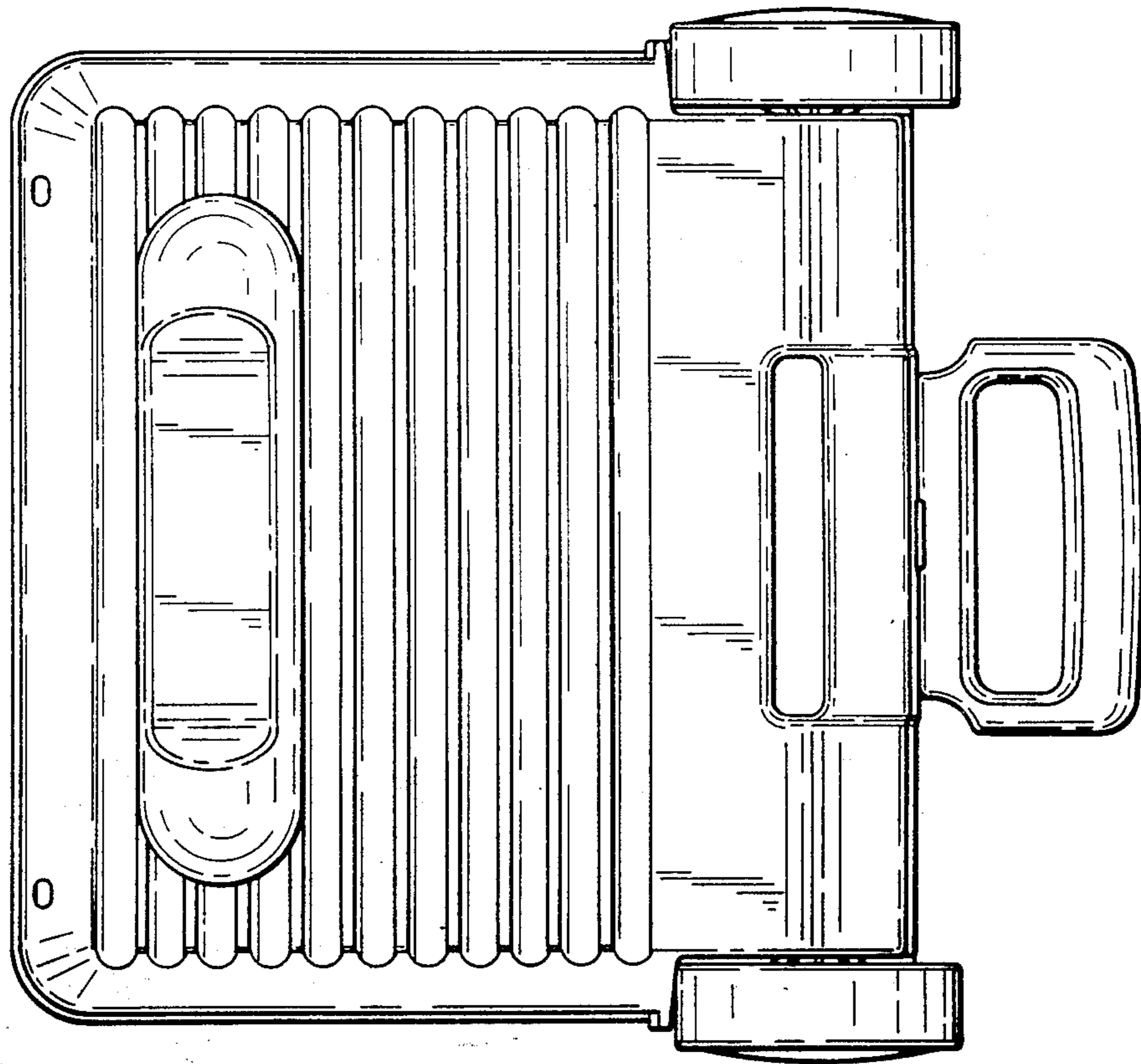


FIG. 5

FIG. 6



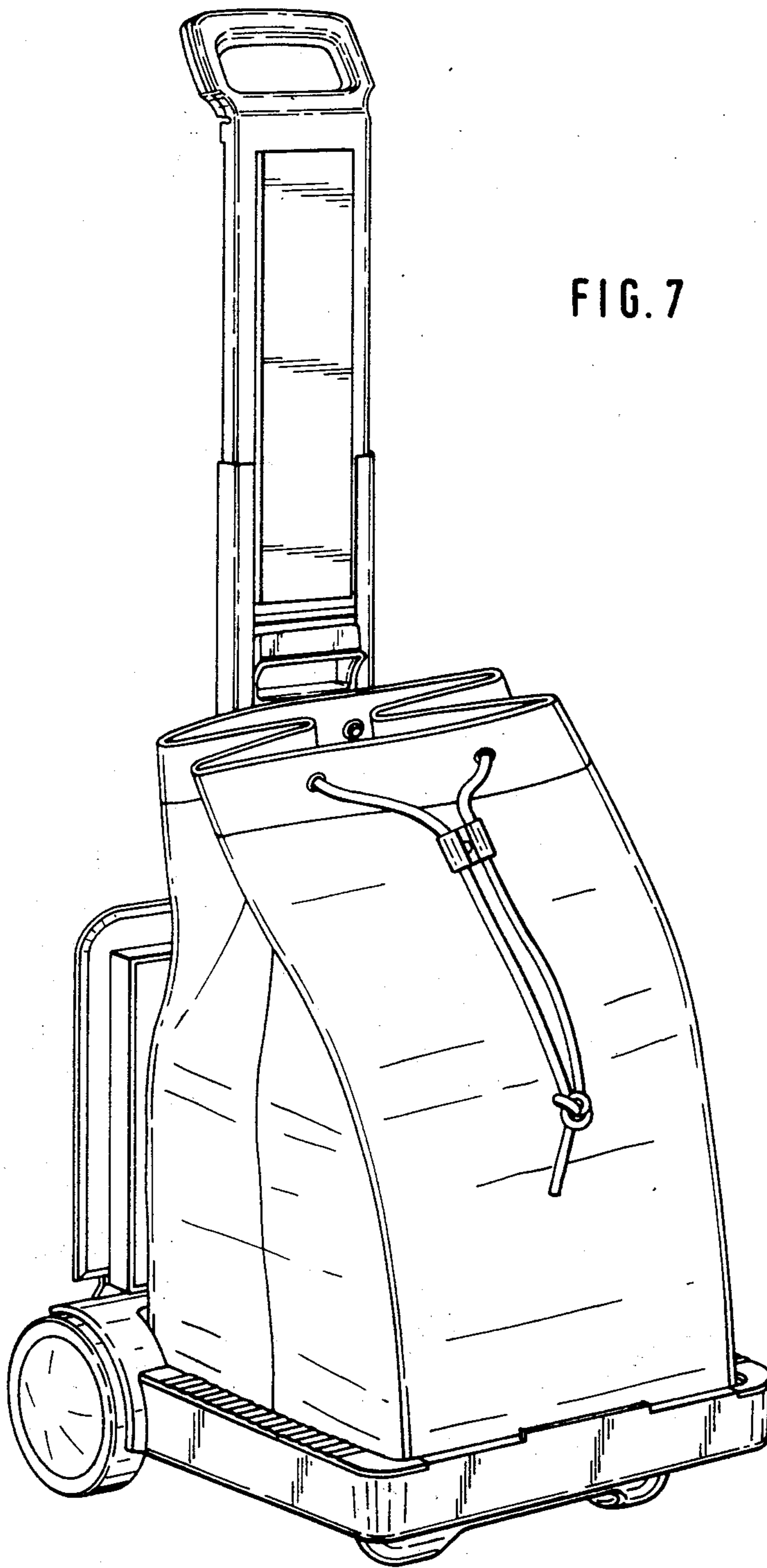


FIG. 7

FIG. 8

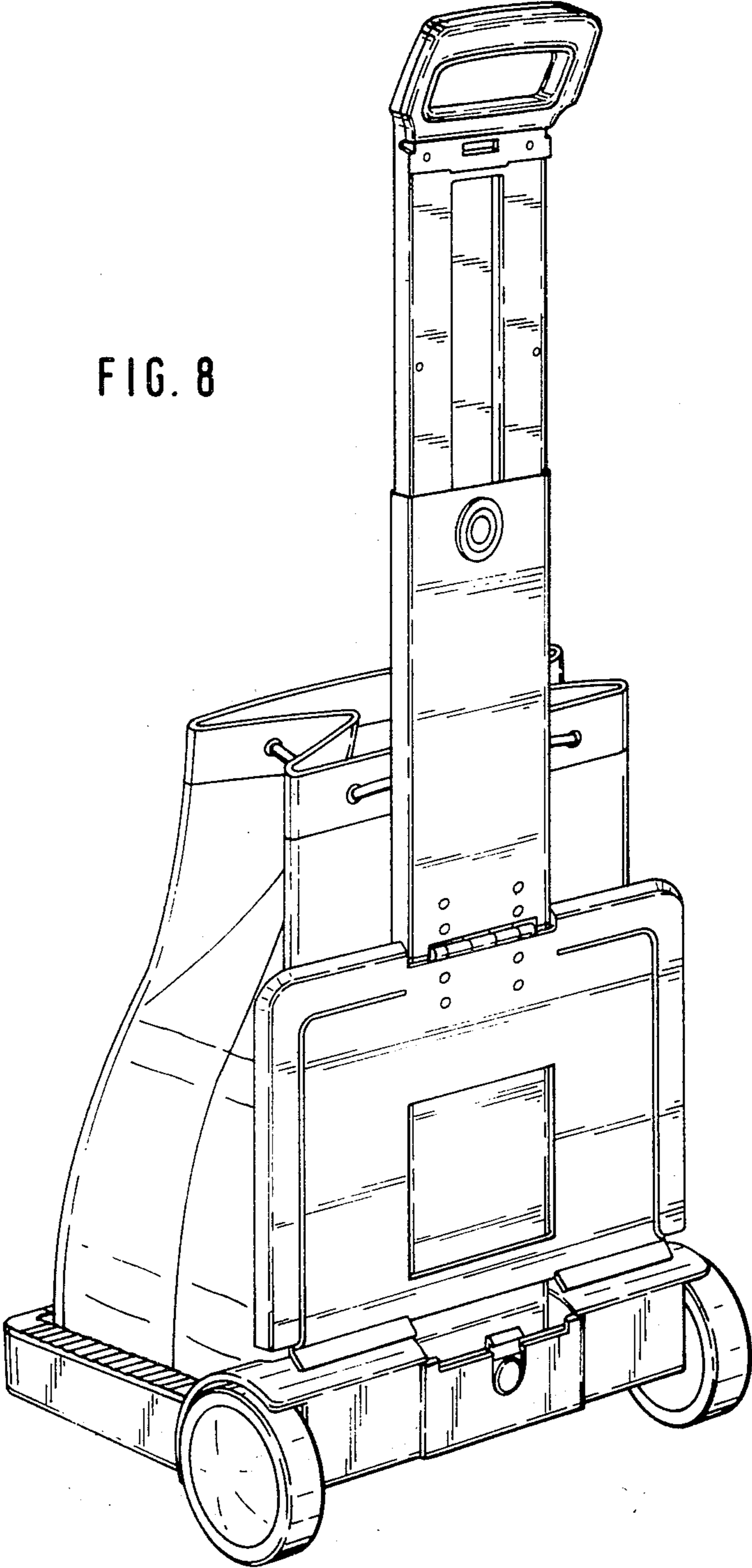


FIG. 9

