

[54] **IRONING PRESS**
 [75] Inventor: **Marco Primati, Milan, Italy**
 [73] Assignee: **Stabilimento Industriale Singer SRL, Monza, Italy**
 [**] Term: **14 Years**
 [21] Appl. No.: **671,108**
 [22] Filed: **Nov. 13, 1984**
 [52] U.S. Cl. **D32/9**
 [58] Field of Search **D32/9, 66, 17; 38/1 R, 38/1 B, 1 C, 1 D, 12, 3, 17, 69-70; 223/51-52, 57, 73**

2,522,168 9/1950 Epstein 38/12
 2,696,684 12/1954 Bokich 38/1 R
 3,101,560 8/1963 Little 38/12
 3,757,440 9/1973 Fresard et al. 38/17
 3,990,164 11/1976 Hammer et al. 38/1 D O

Primary Examiner—Catherine E. Kemper
Assistant Examiner—Ruth E. Takemoto
Attorney, Agent, or Firm—Murray and Whisenhunt

[56] **References Cited**
U.S. PATENT DOCUMENTS

D. 87,321 7/1932 Watts D32/9
 D. 199,079 9/1964 Boldt D32/9
 D. 262,885 2/1982 Baruffa D32/9
 D. 275,808 10/1984 Baruffa et al. D32/9
 2,482,412 9/1949 Gershon D32/9

[57] **CLAIM**
 The ornamental design for an ironing press, as shown and described.

DESCRIPTION

FIG. 1 is a perspective view of an ironing press showing my new design;
 FIG. 2 is a front elevational view thereof;
 FIG. 3 is a rear elevational view thereof;
 FIG. 4 is a side elevational view thereof;
 FIG. 5 is an opposite side elevational view thereof;
 FIG. 6 is a top plan view thereof; and
 FIG. 7 is a bottom view thereof.

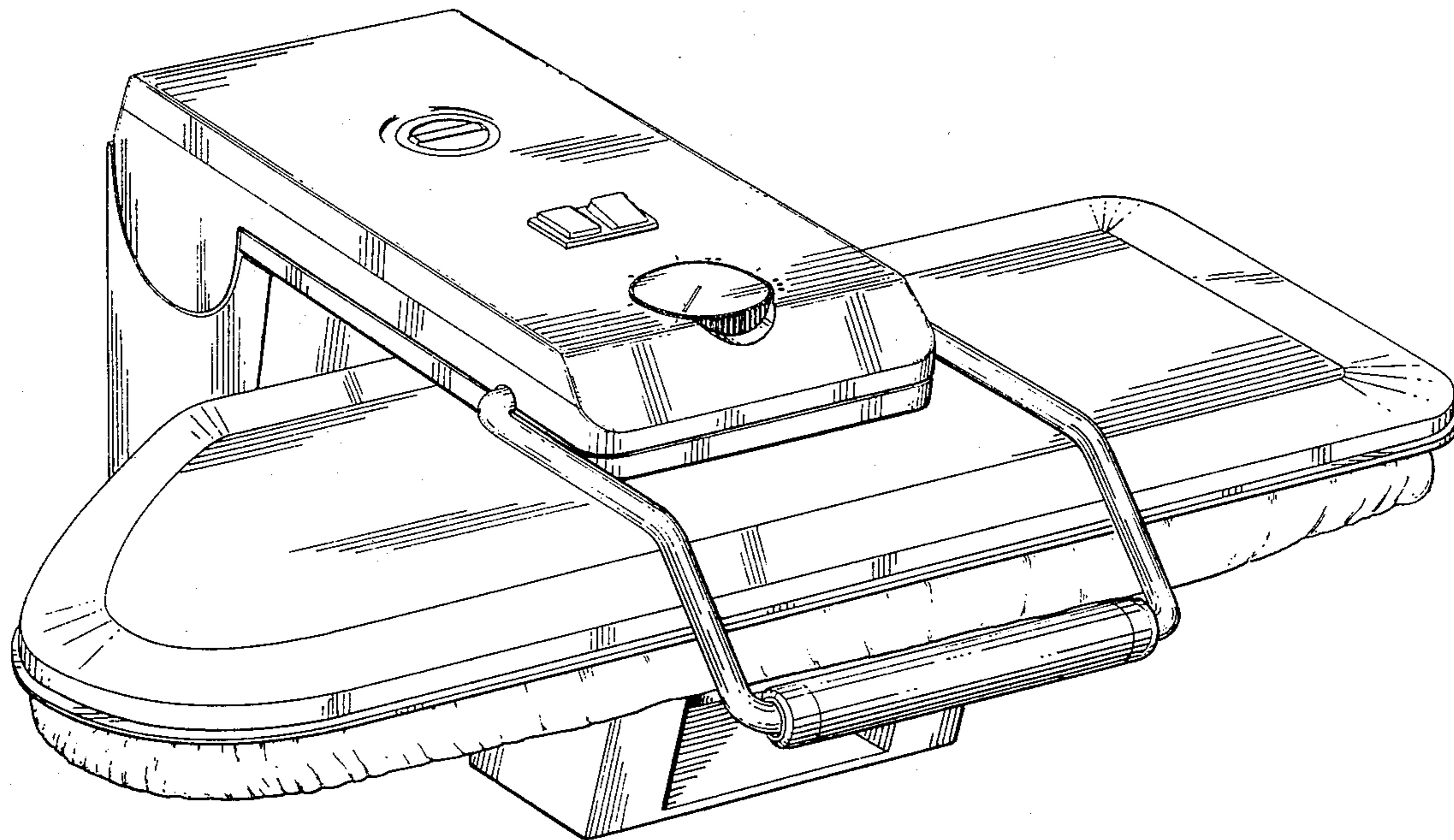


Fig. 1

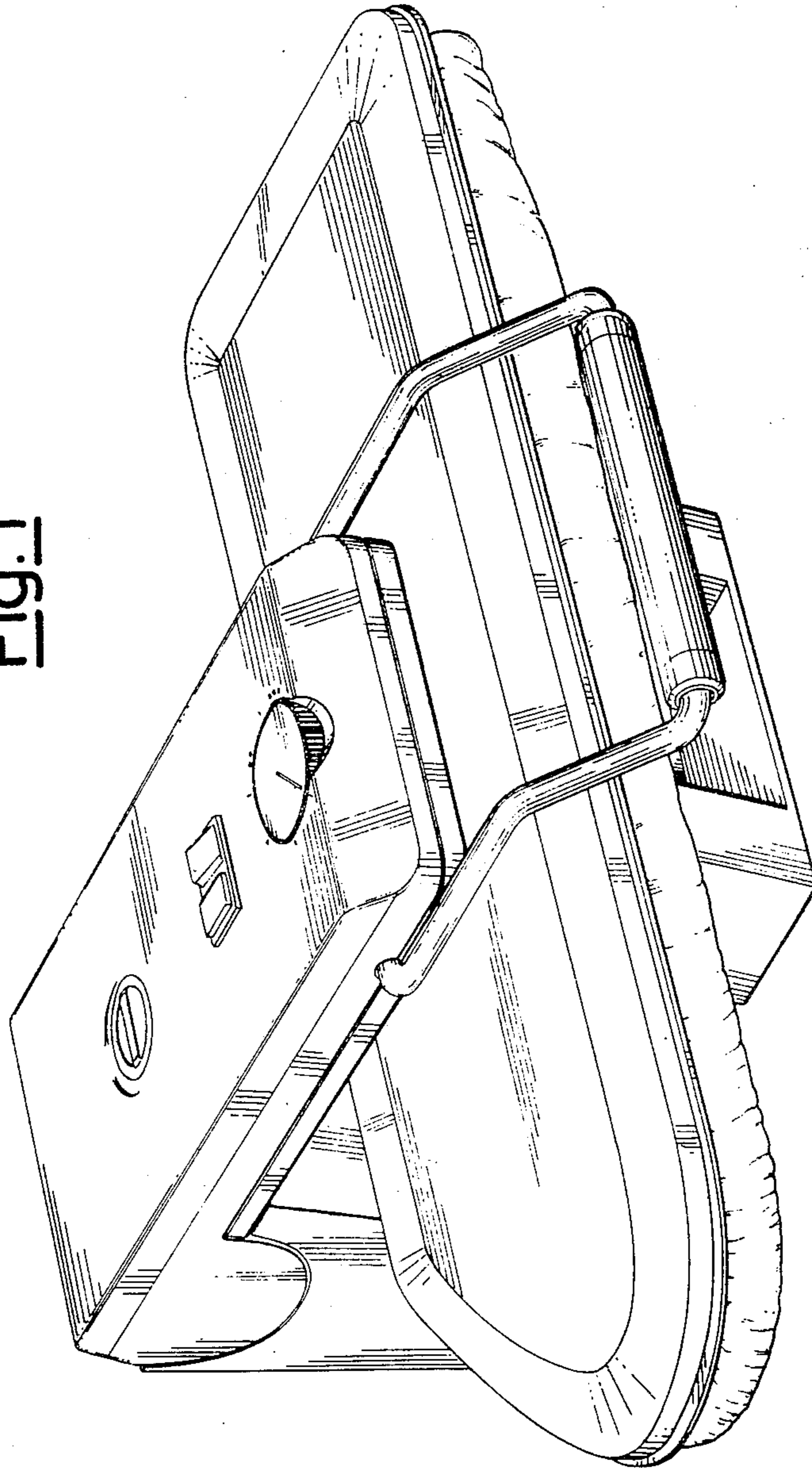


Fig. 2

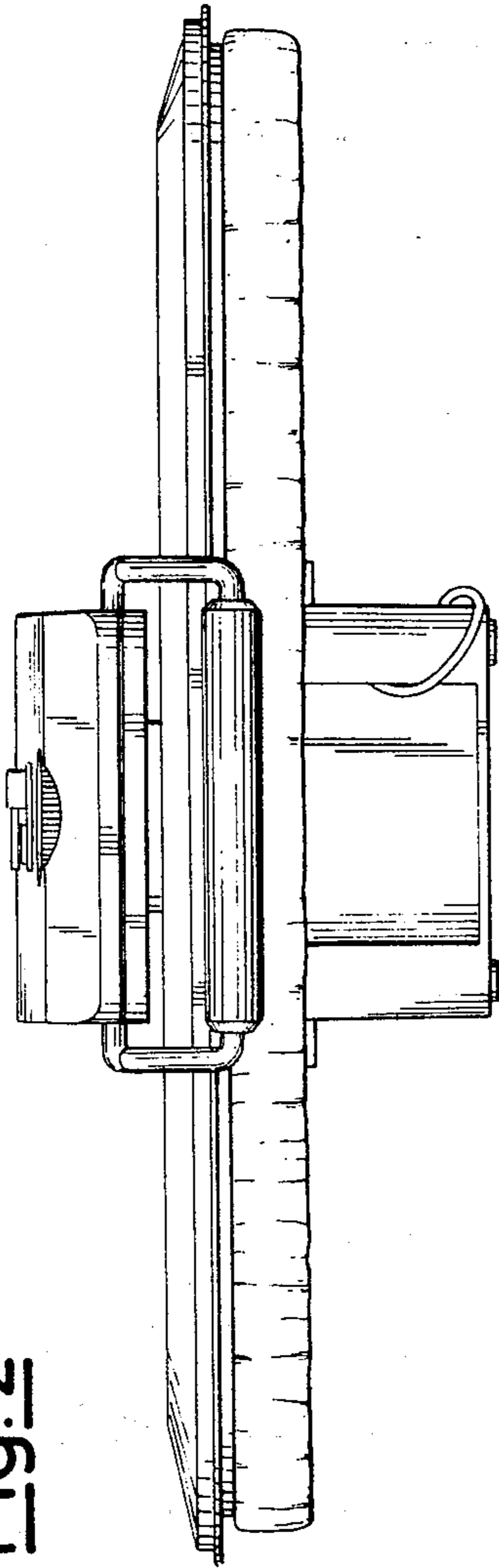


Fig. 3

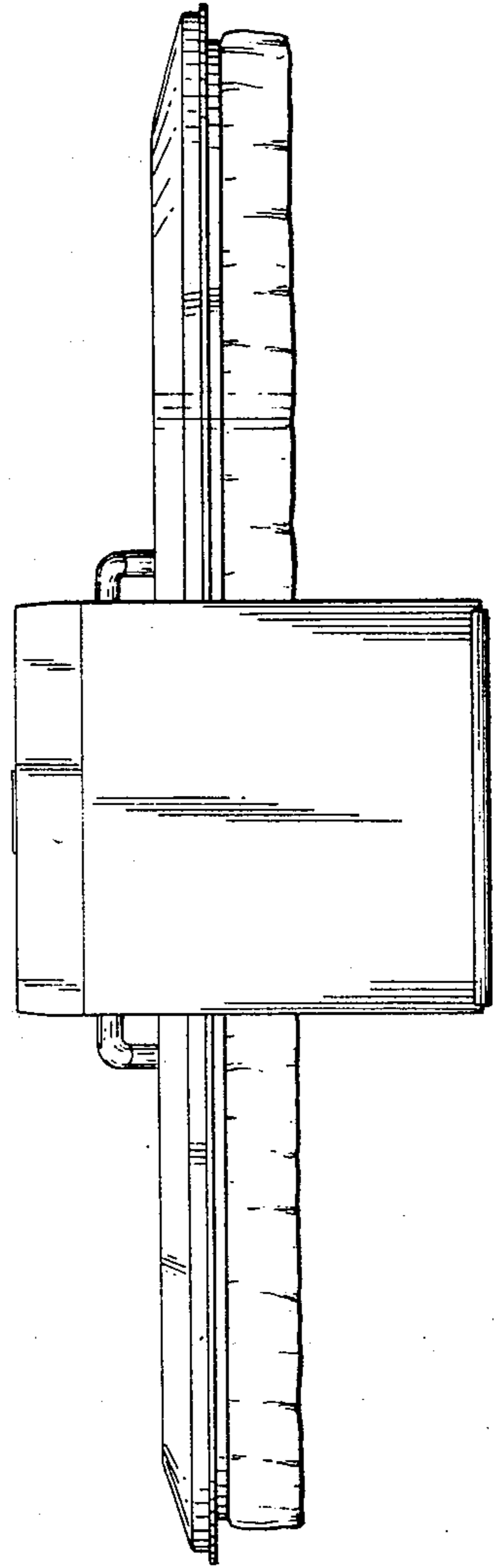


Fig. 4

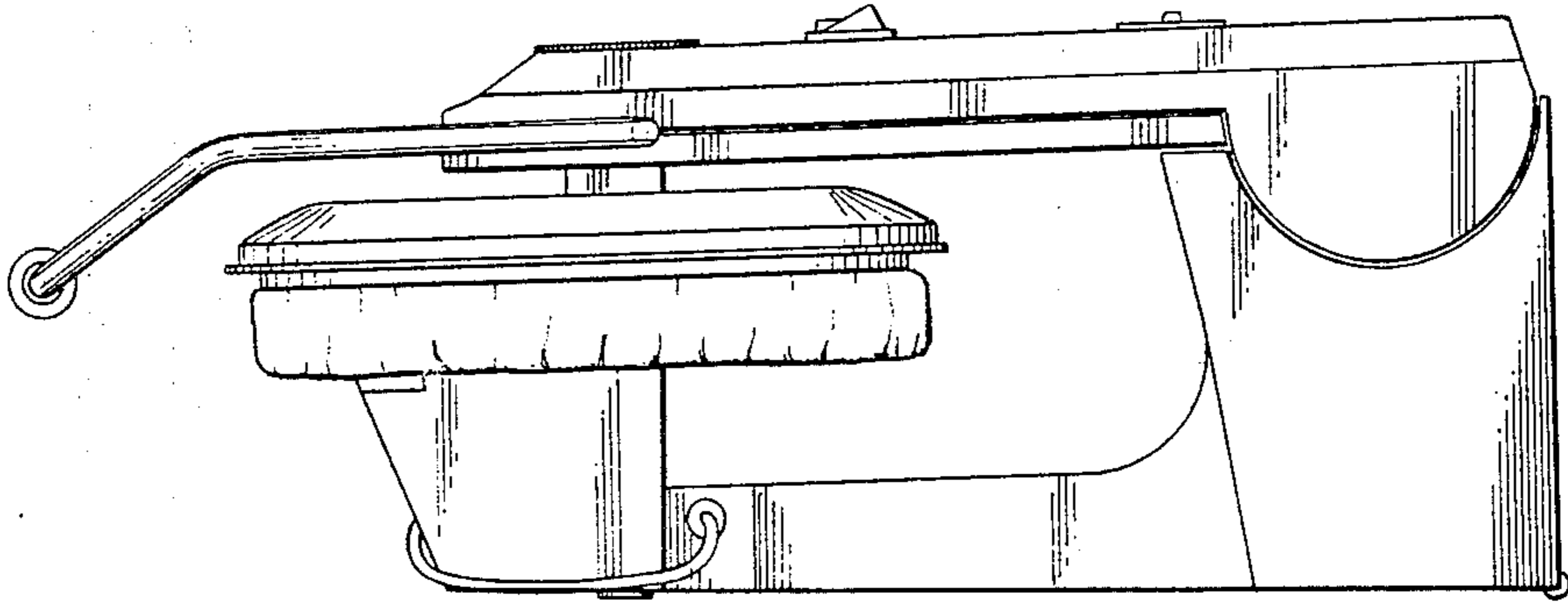
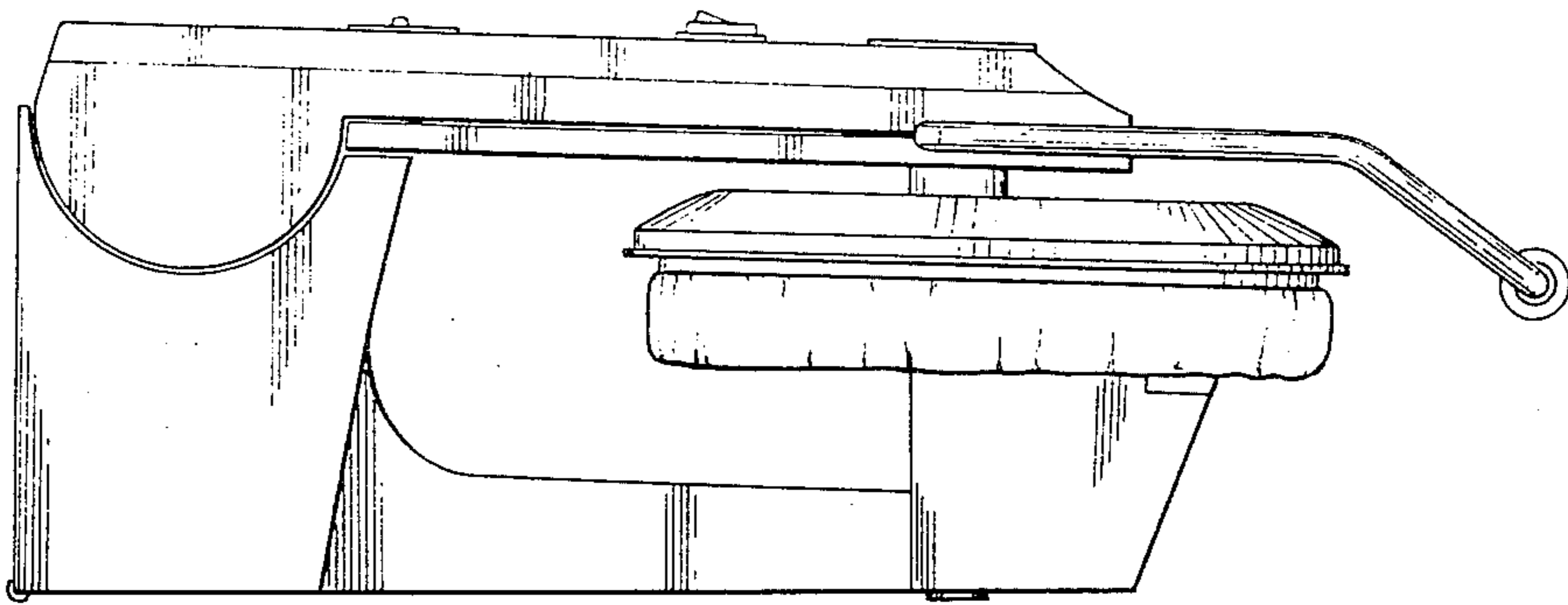


Fig. 5



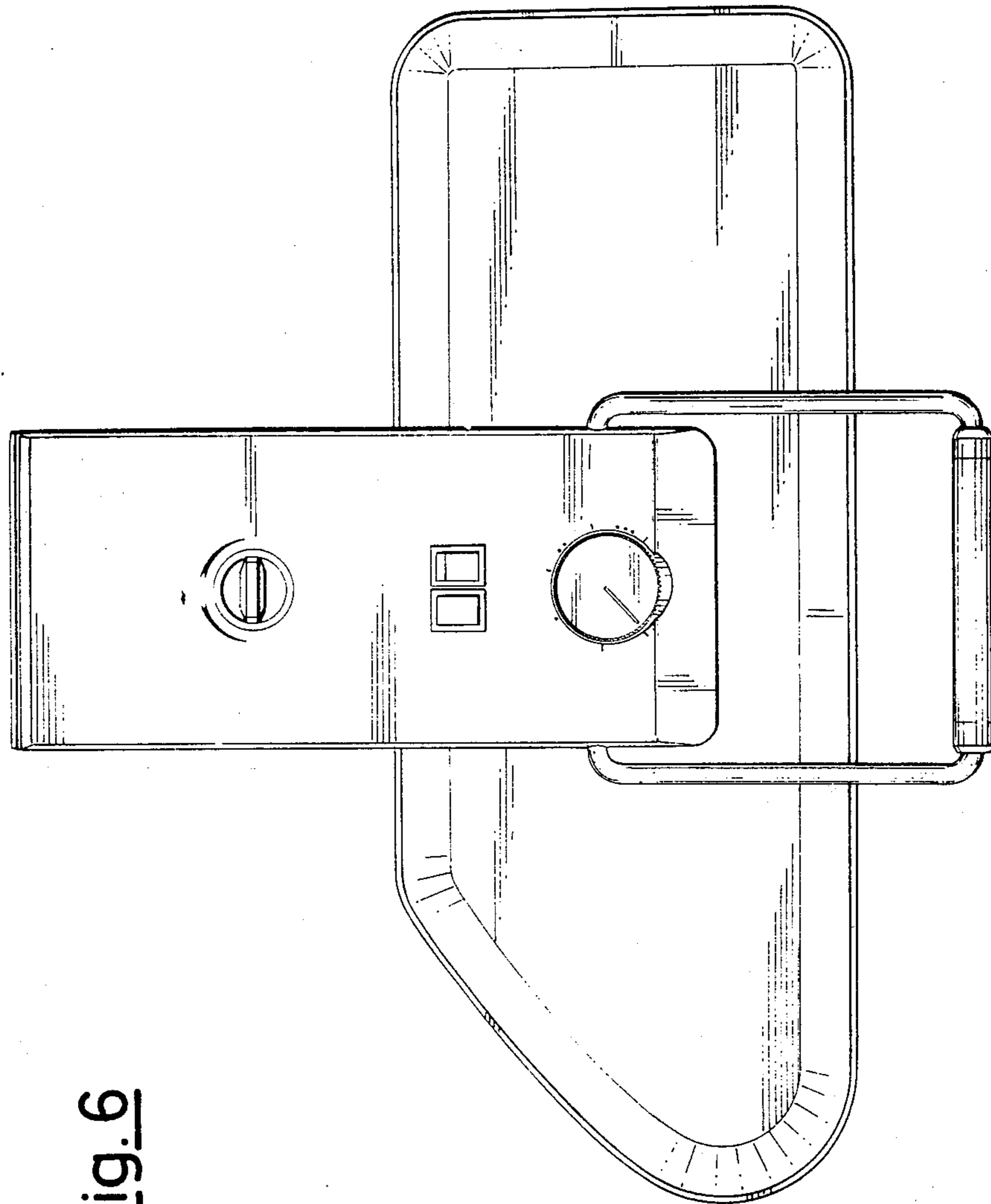


Fig. 6

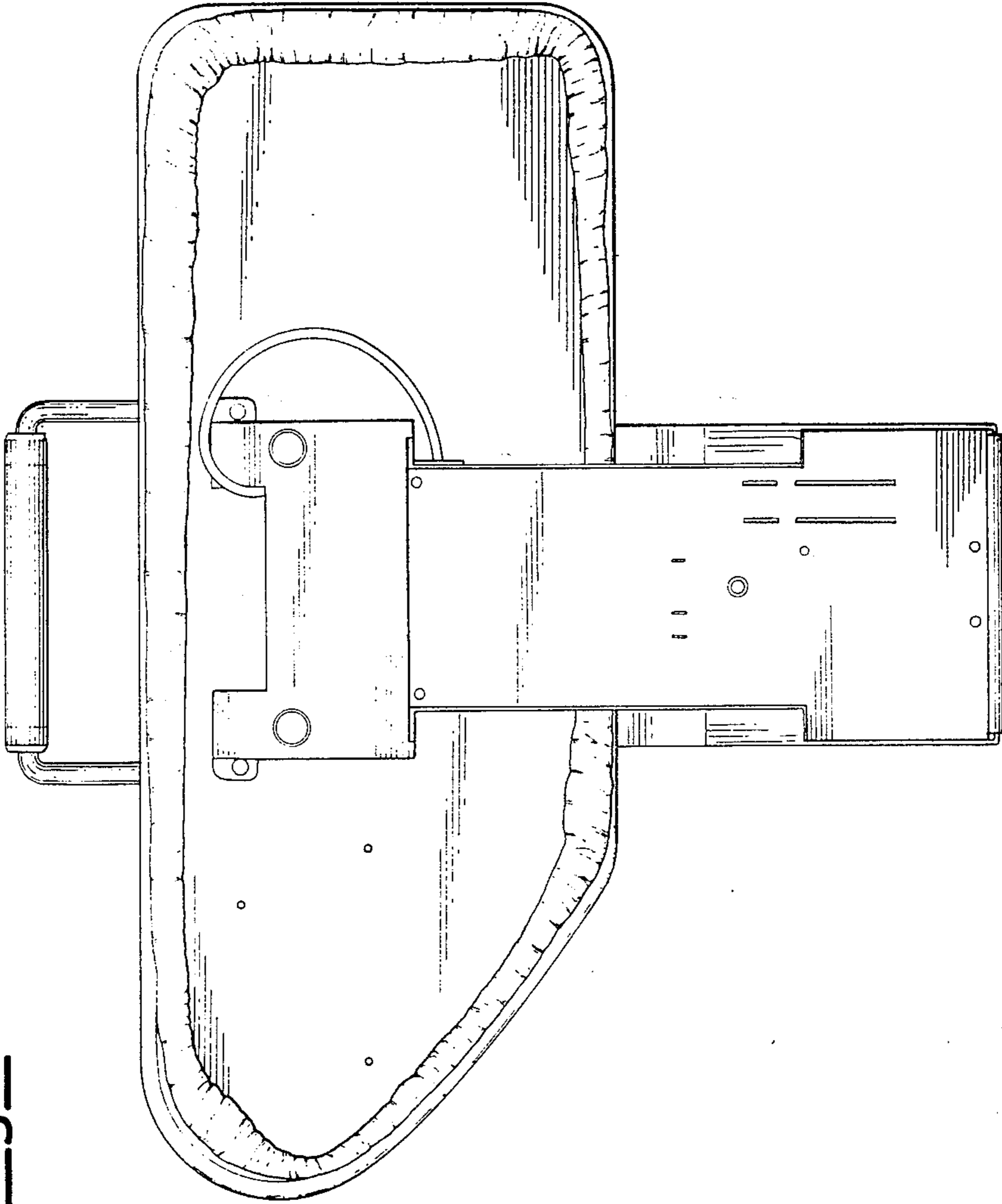


Fig. 7