

[54] WASHING DEVICE FOR TEST TUBES
 [75] Inventor: Leif Kruse, Hørsholm, Denmark
 [73] Assignee: A/S Nunc, Roskilde, Denmark
 [**] Term: 14 Years
 [21] Appl. No.: 555,630
 [22] Filed: Nov. 28, 1983
 [52] U.S. Cl. D32/1; D32/2
 [58] Field of Search D32/1-3,
 D32/35; 15/56, 59, 62, 75, 101, 104.9, 302, 304,
 320; 134/166 R, 171

4,341,568 7/1982 Christensen 15/304 X

Primary Examiner—Catherine E. Kemper
Attorney, Agent, or Firm—Watson, Cole, Grindle & Watson

[57] CLAIM

The ornamental design for a washing device for test tubes, as shown and described.

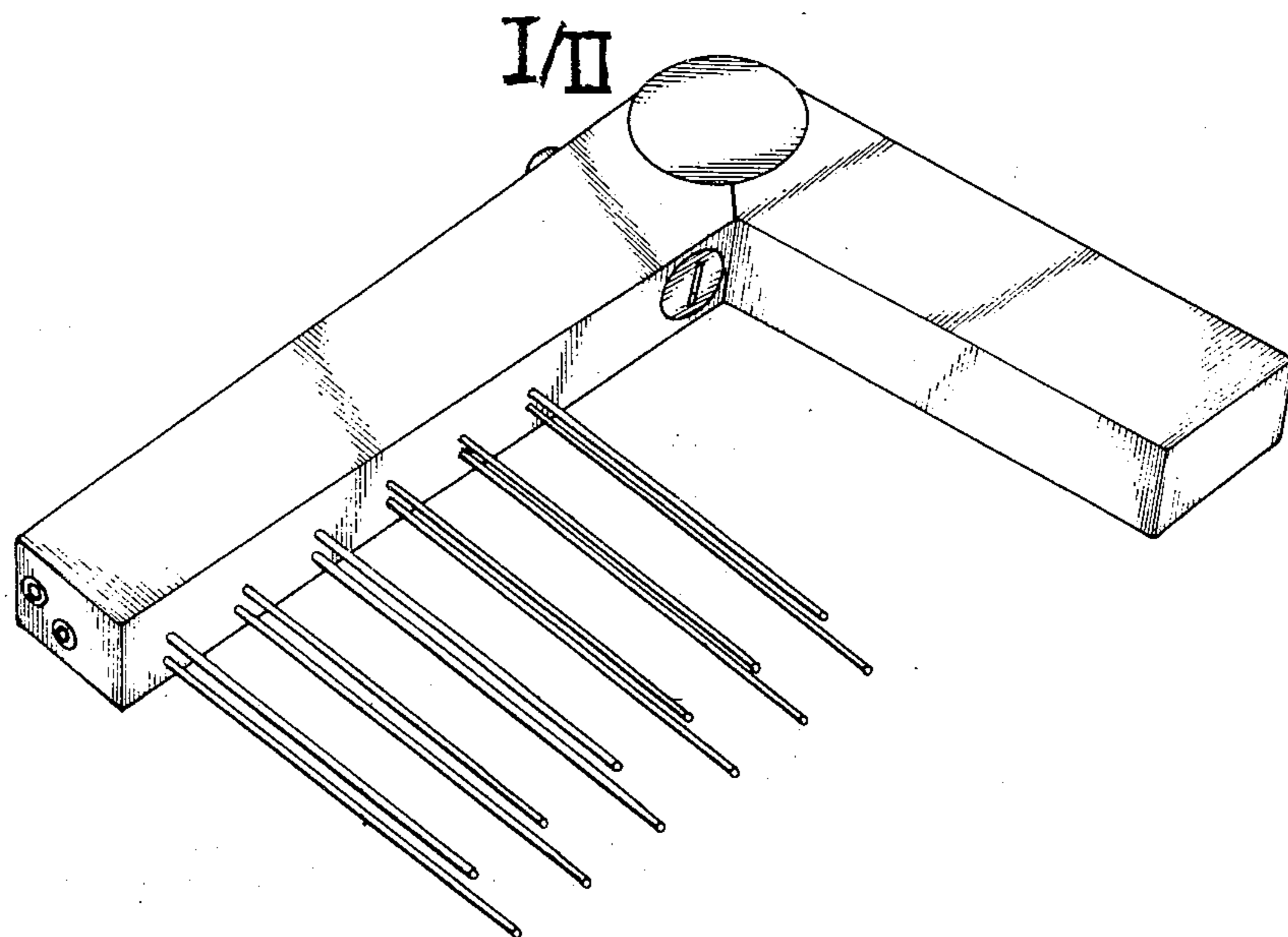
DESCRIPTION

FIG. 1 is a perspective view of a washing device for test tubes, showing my new design;
 FIG. 2 is a perspective view taken from the opposite side thereof;
 FIG. 3 is a perspective view thereof with the limbs shown in a first alternate position; and
 FIG. 4 is a perspective view thereof with the limbs shown in a second alternate position.

[56] References Cited

U.S. PATENT DOCUMENTS

3,849,830 11/1974 Wagner 15/304 X
 4,310,010 1/1982 Svoboda 15/304 X



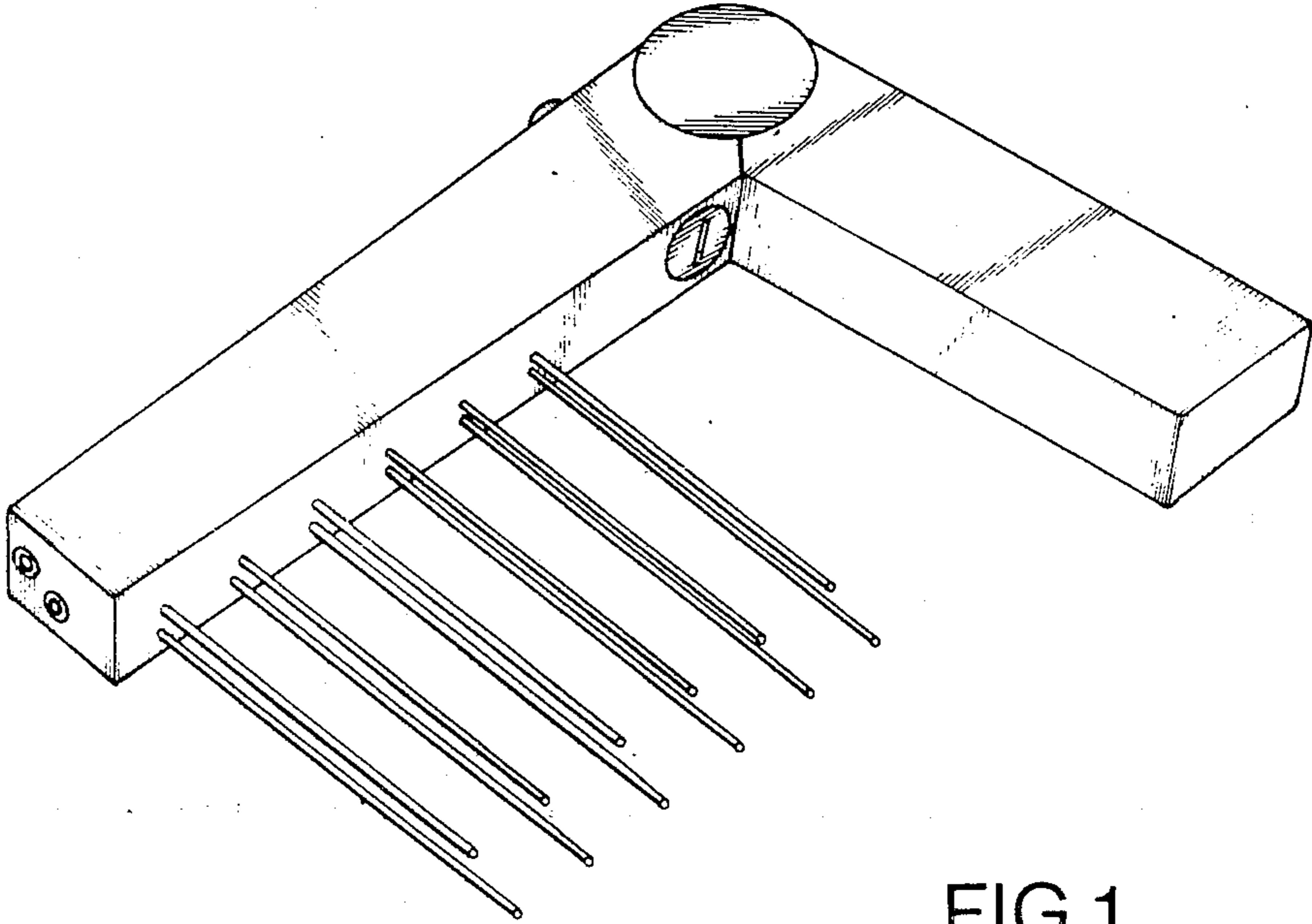


FIG. 1

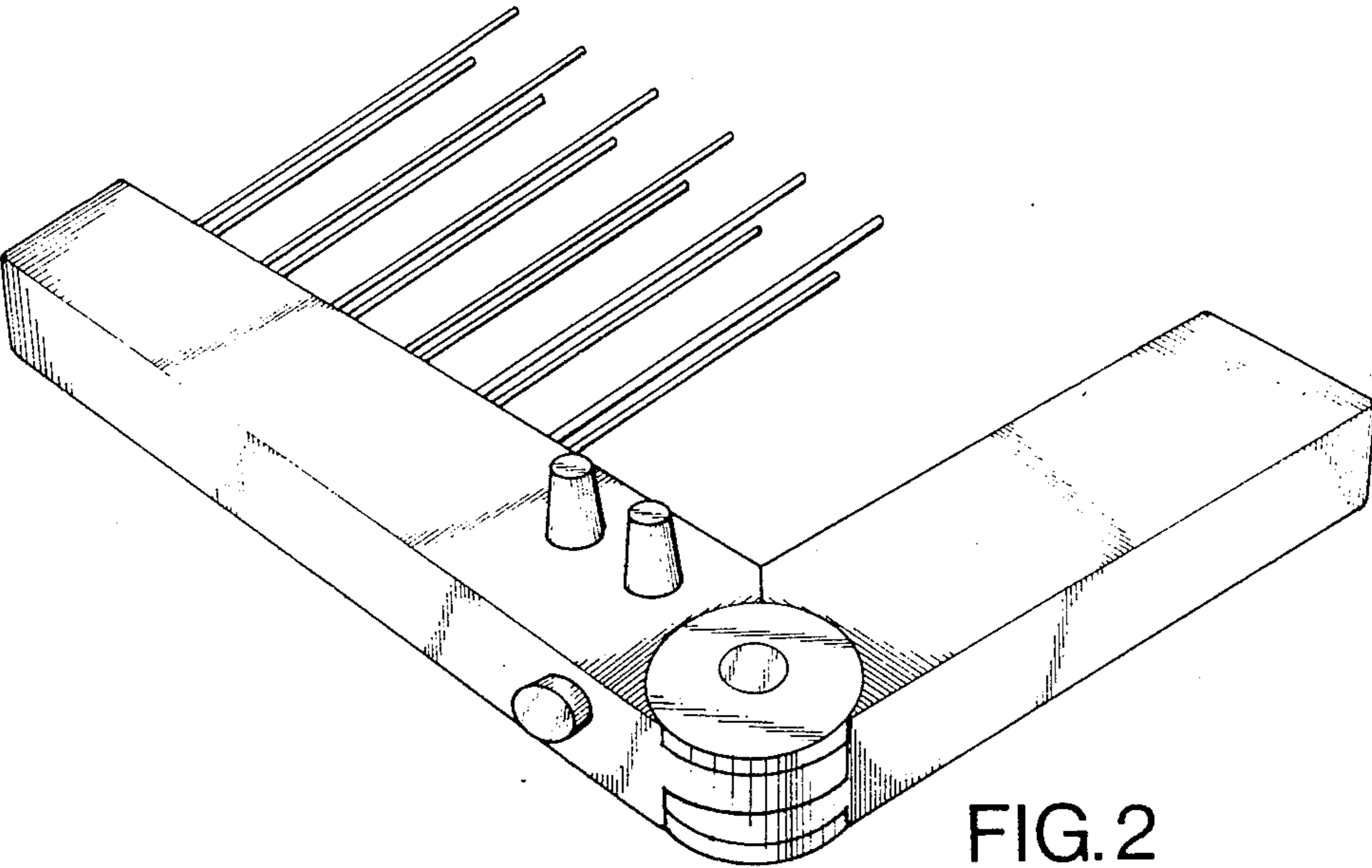


FIG. 2

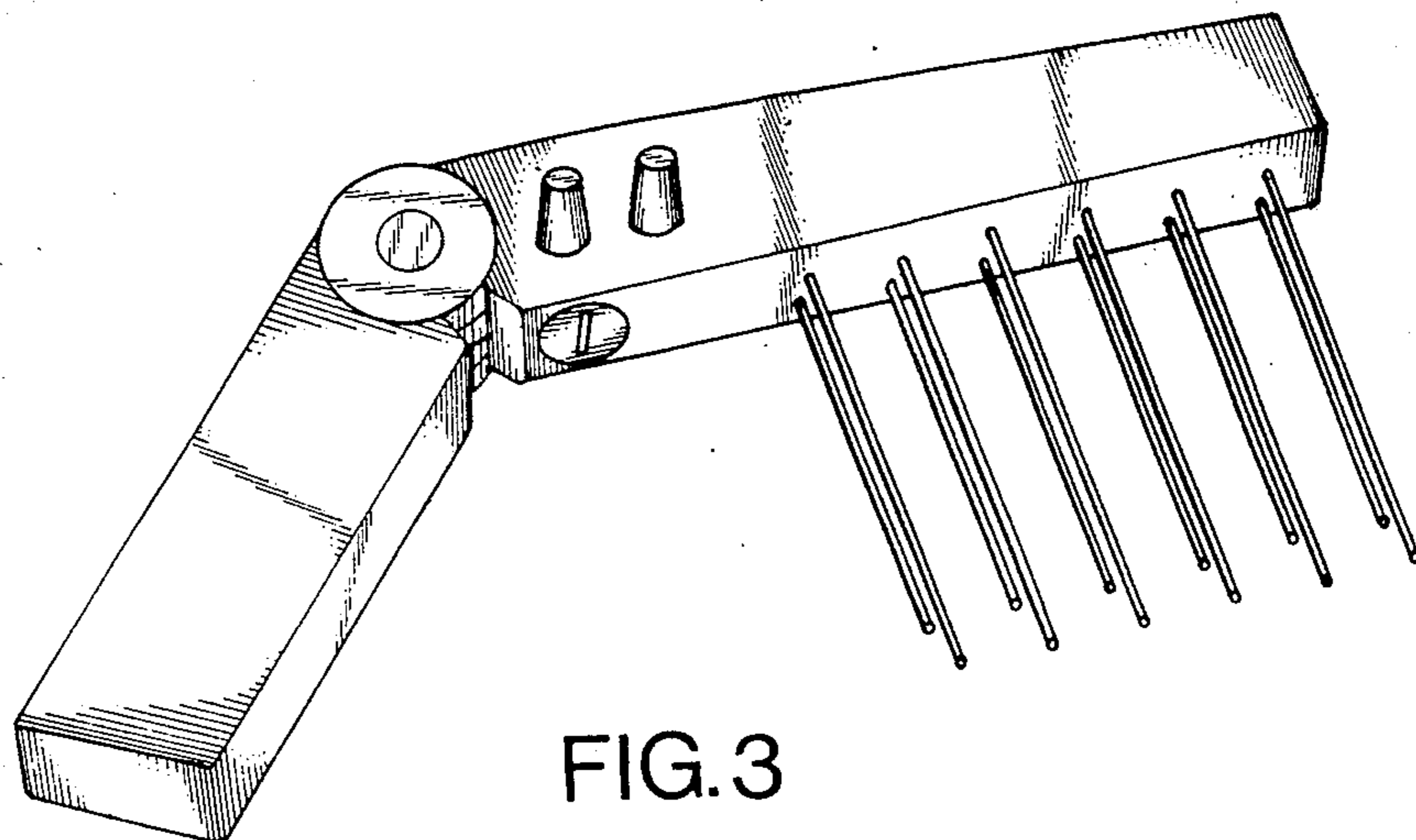


FIG. 3

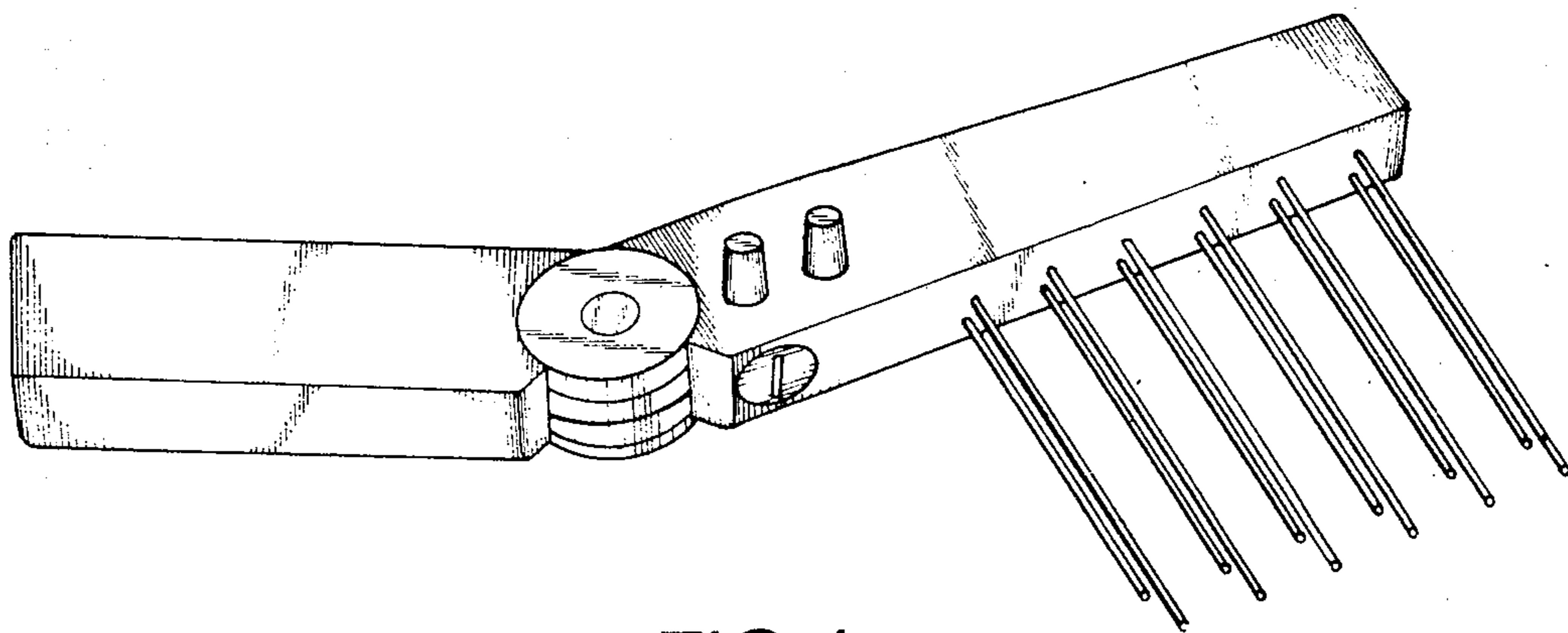


FIG. 4