

[54] CIRCUMCISION CLAMP

[76] Inventors: Amir Porat; Michael Porat, both of 4 Hirschenberg Street, Tel-Aviv, Israel

[**] Term: 14 Years

[21] Appl. No.: 581,607

[22] Filed: Feb. 21, 1984

[30] Foreign Application Priority Data

Aug. 22, 1983 [IL] Israel 9603

[52] U.S. Cl. D24/27; D24/26

[58] Field of Search D24/28, 26, 27; 128/346, 305, 303.14

[56] References Cited

U.S. PATENT DOCUMENTS

D. 119,180	2/1940	Goldstein	D24/27
2,686,521	8/1954	Sheldon et al.	128/346
2,747,576	5/1956	Bronstein	128/346
3,669,115	6/1972	Melges	128/346 X
3,678,935	7/1972	Bronstein	128/346 X
3,706,312	12/1972	Melges	128/346 X

3,757,787 9/1973 Gottlieb 128/346

Primary Examiner—A. Hugo Word
Assistant Examiner—Stella M. Reid
Attorney, Agent, or Firm—Dennison, Meserole, Pollack & Scheiner

[57] CLAIM

The ornamental design for a circumcision clamp, as shown and described.

DESCRIPTION

FIG. 1 is a top perspective view of a circumcision clamp showing our new design;
FIG. 2 is a bottom plan view thereof;
FIG. 3 is a front side view thereof;
FIG. 4 is a rear side view thereof;
FIG. 5 is an end view thereof, taken from the left end of FIG. 1;
FIG. 6 is an end view thereof, taken from the right end of FIG. 1;
FIG. 7 is a top plan view thereof, with the tool open and the lever swung outward;
FIG. 8 is a top plan view thereof, with the lever engaged and unlocked; and
FIG. 9 is a top plan view thereof, with the lever locked.

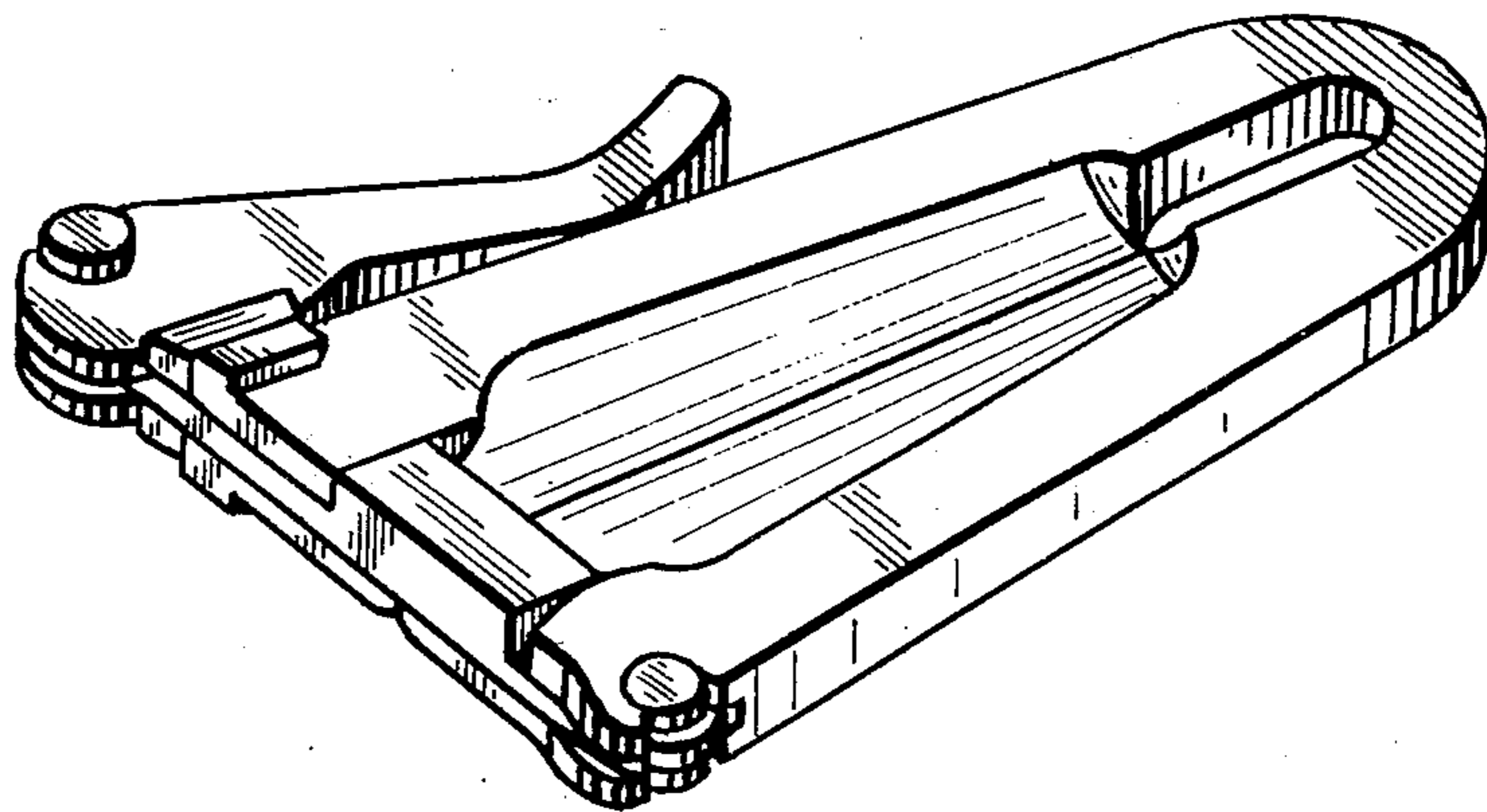


FIG. 1

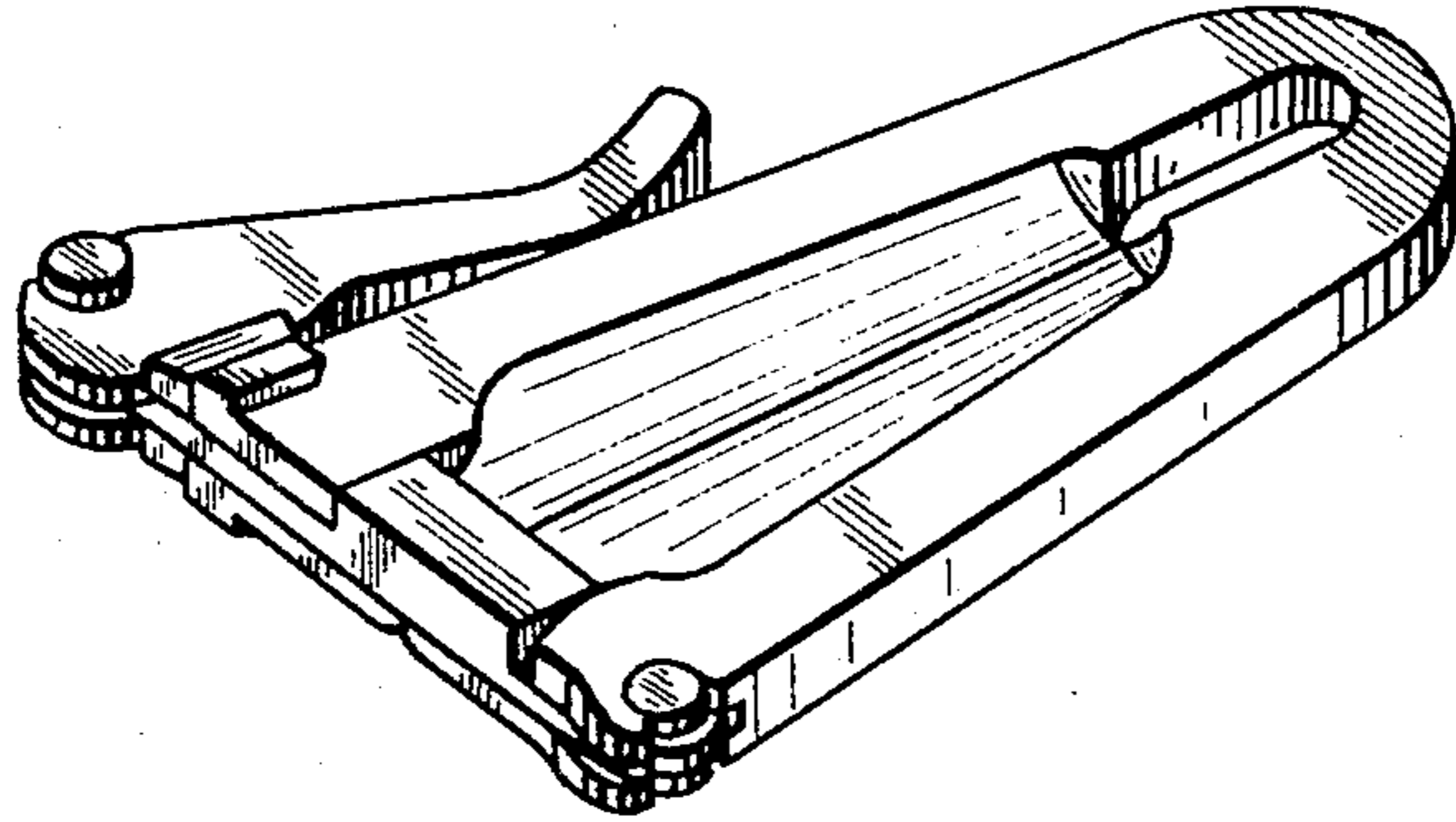


FIG. 2

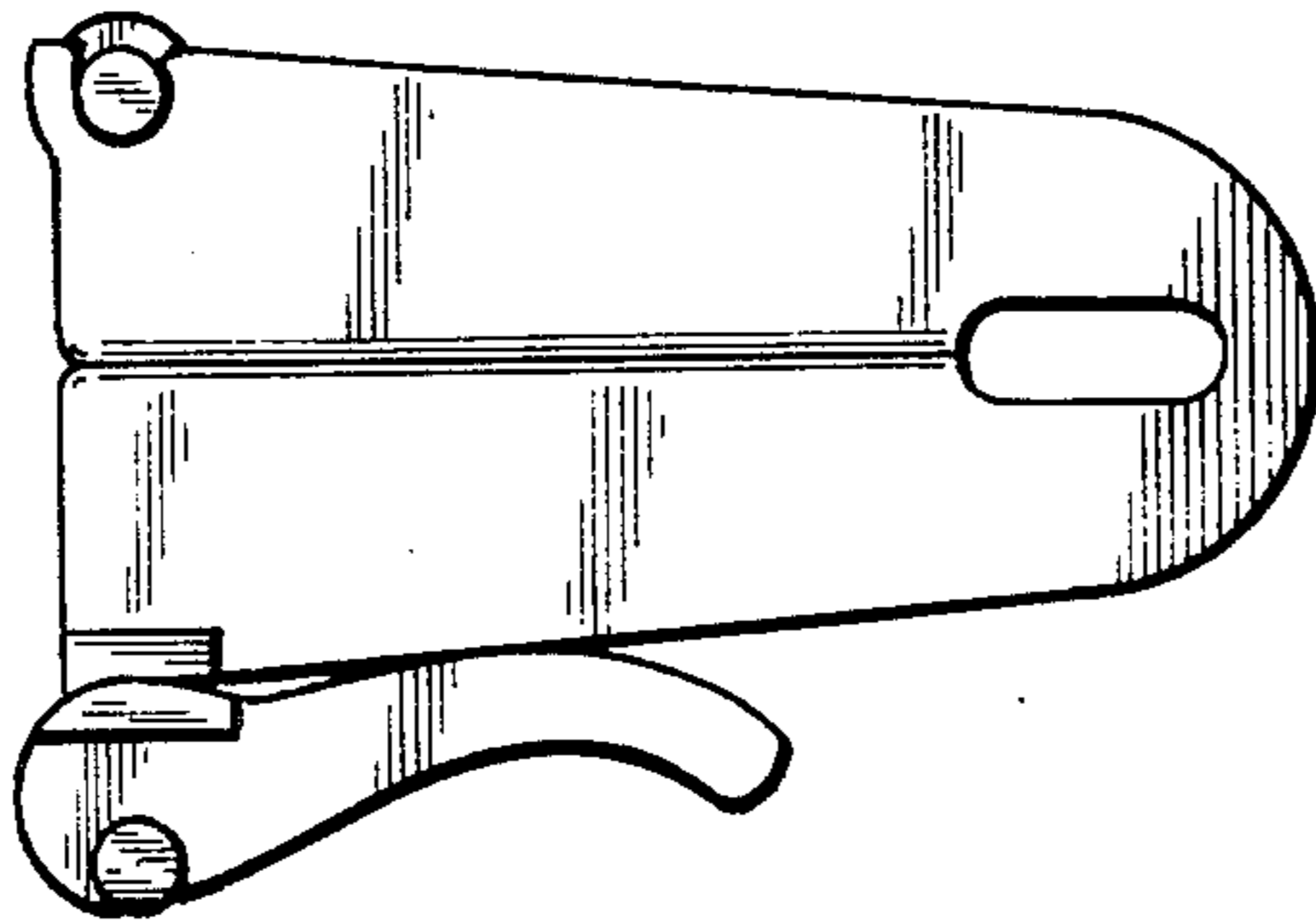


FIG. 3

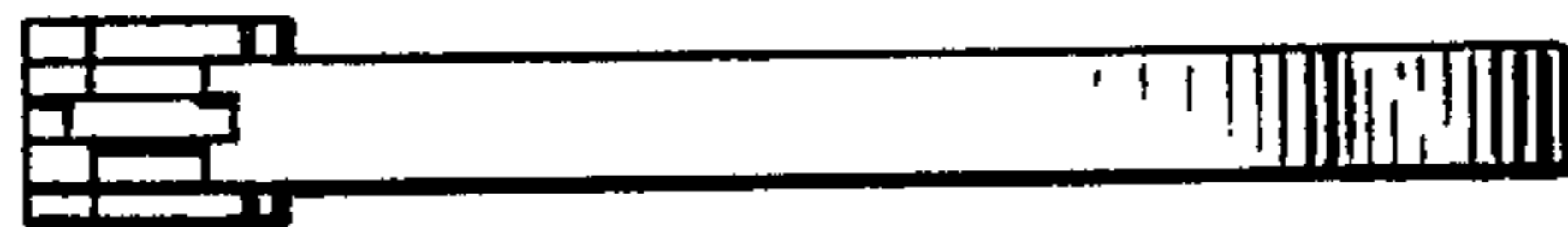


FIG. 4



FIG. 5

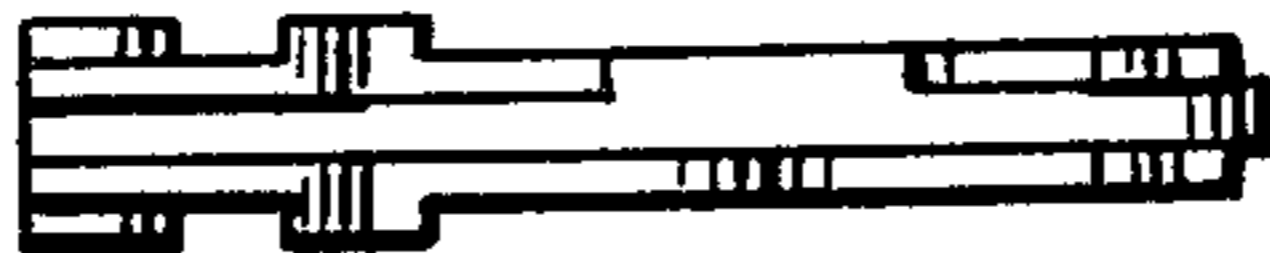


FIG. 6



FIG. 7

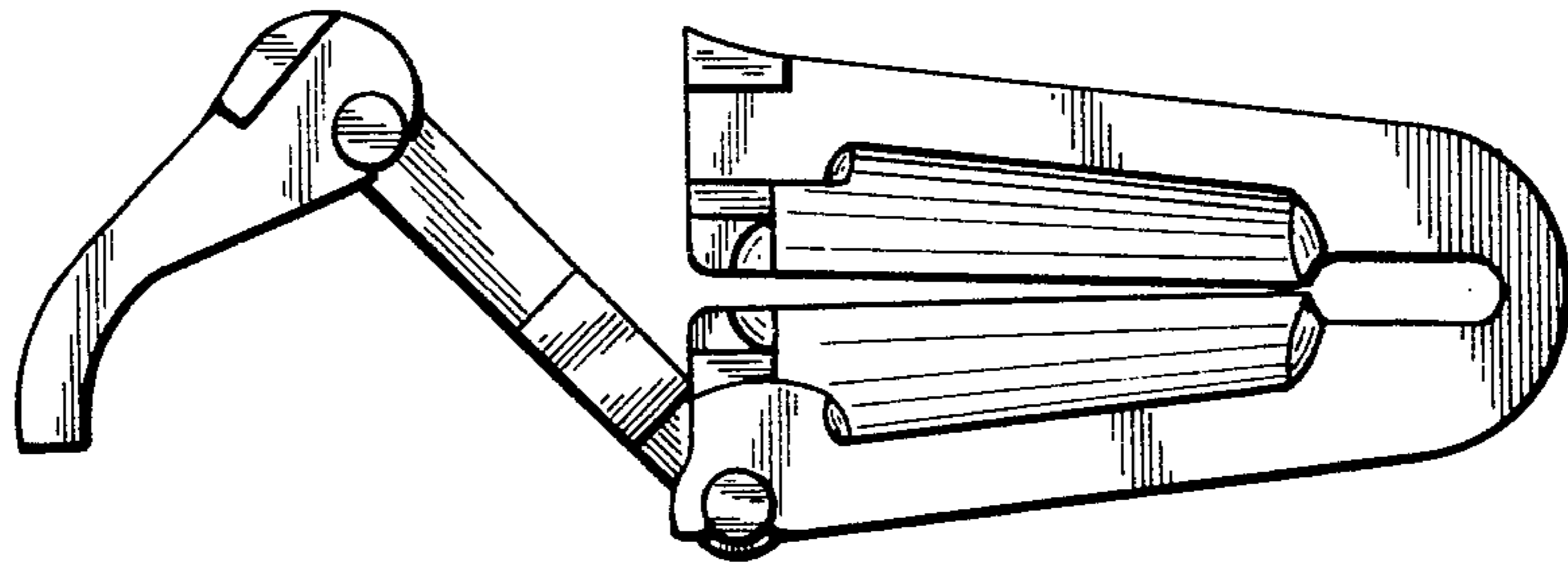


FIG. 8

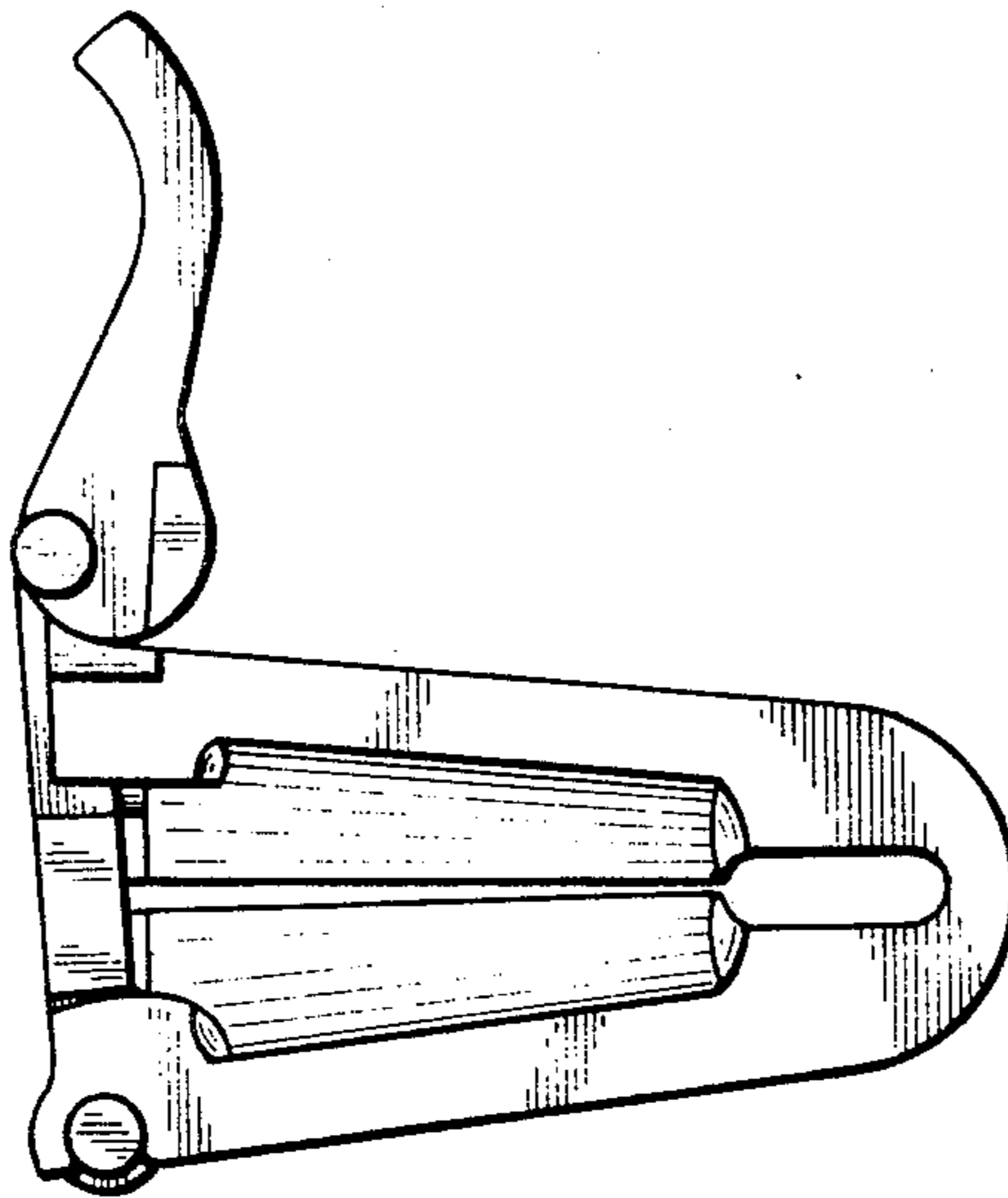


FIG. 9

