

[54] DENTAL TRAY

4,380,293 4/1983 Wilcox et al. 206/563

[76] Inventor: John J. Discko, Jr., 50 Laura Rd., Hamden, Conn. 06514

[**] Term: 14 Years

[21] Appl. No.: 586,181

[22] Filed: Mar. 5, 1984

[52] U.S. Cl. D24/10; D24/31

[58] Field of Search D24/4, 5, 8, 10, 16, D24/31-32; D9/341, 345, 347, 423-426, 456, 432; D3/74; 206/364-366, 368-369, 570-572, 438, 63.5, 557-558, 562-564; 312/209; 433/77

[56] References Cited

U.S. PATENT DOCUMENTS

- D. 242,654 12/1976 Rawls D9/347 X
- D. 248,731 8/1978 Ogawa D9/345
- D. 253,071 10/1979 Montez D24/10
- D. 277,508 2/1985 Clair D9/341 X
- 3,802,555 4/1974 Grasty et al. 206/438 X

OTHER PUBLICATIONS

Henry Schein Catalogue (1982) Futura Instrument Tray-E Endodontic (p. 194).

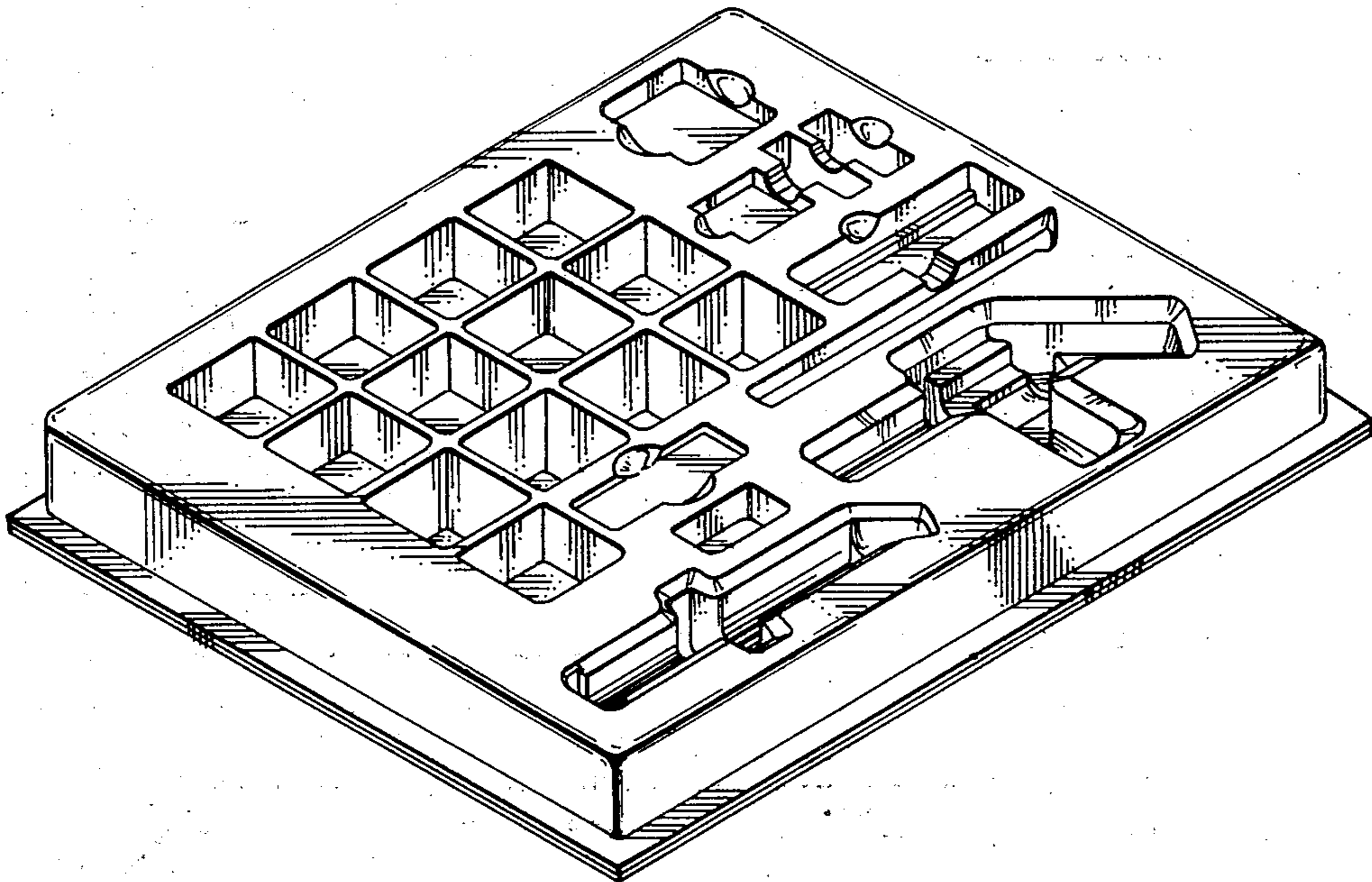
Primary Examiner—Wallace R. Burke
Assistant Examiner—Brian N. Vinson
Attorney, Agent, or Firm—Arthur T. Fattibene

[57] CLAIM

The ornamental design for a dental tray, substantially as shown and described.

DESCRIPTION

FIG. 1 is a top perspective view of a dental tray showing my new design;
FIG. 2 is a top plan view thereof;
FIG. 3 is a bottom plan view thereof;
FIG. 4 is a left side elevational view thereof;
FIG. 5 is a rear elevational view thereof;
FIG. 6 is a right side elevational view thereof; and
FIG. 7 is a front elevational view thereof.



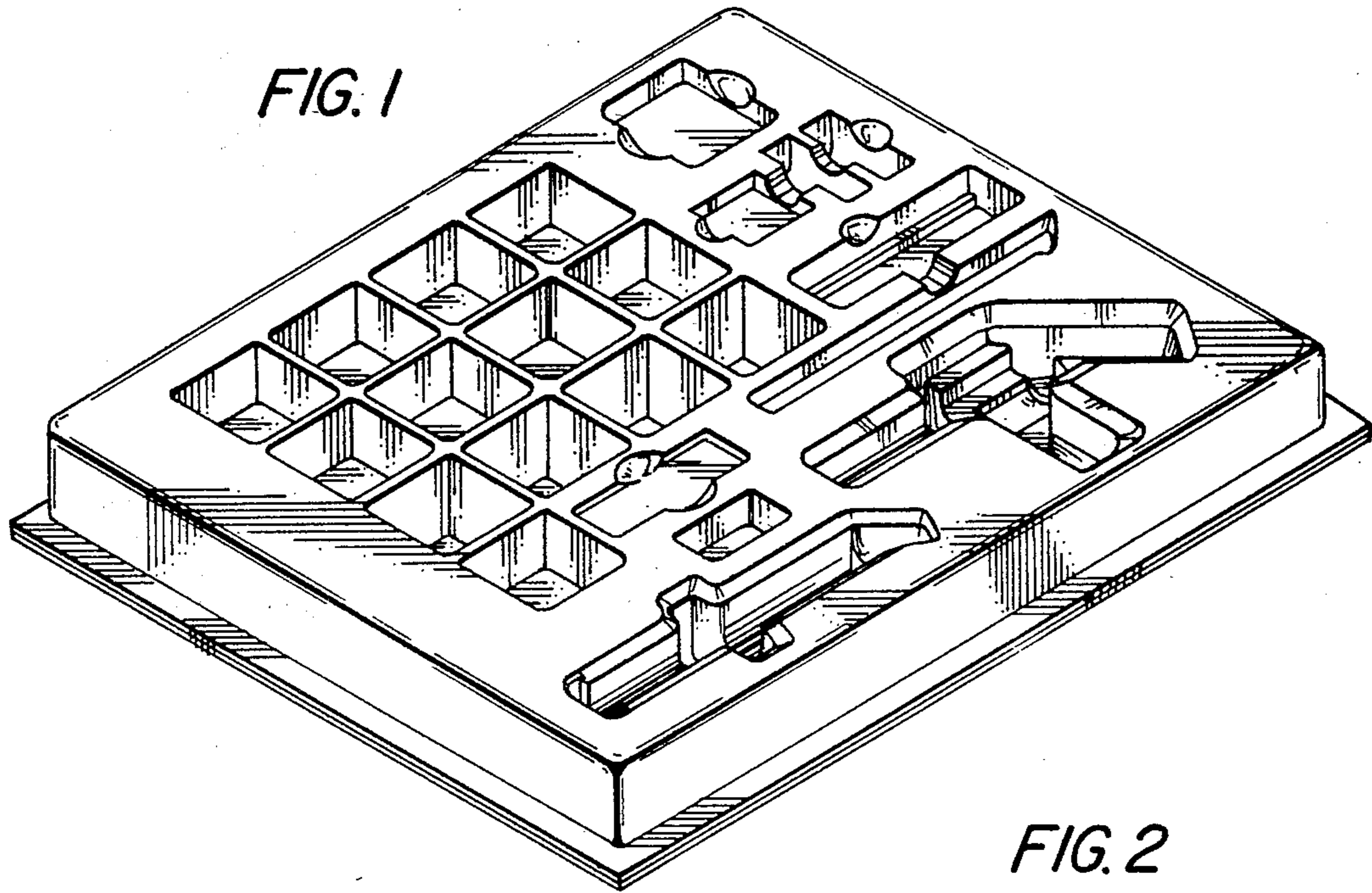


FIG. 2

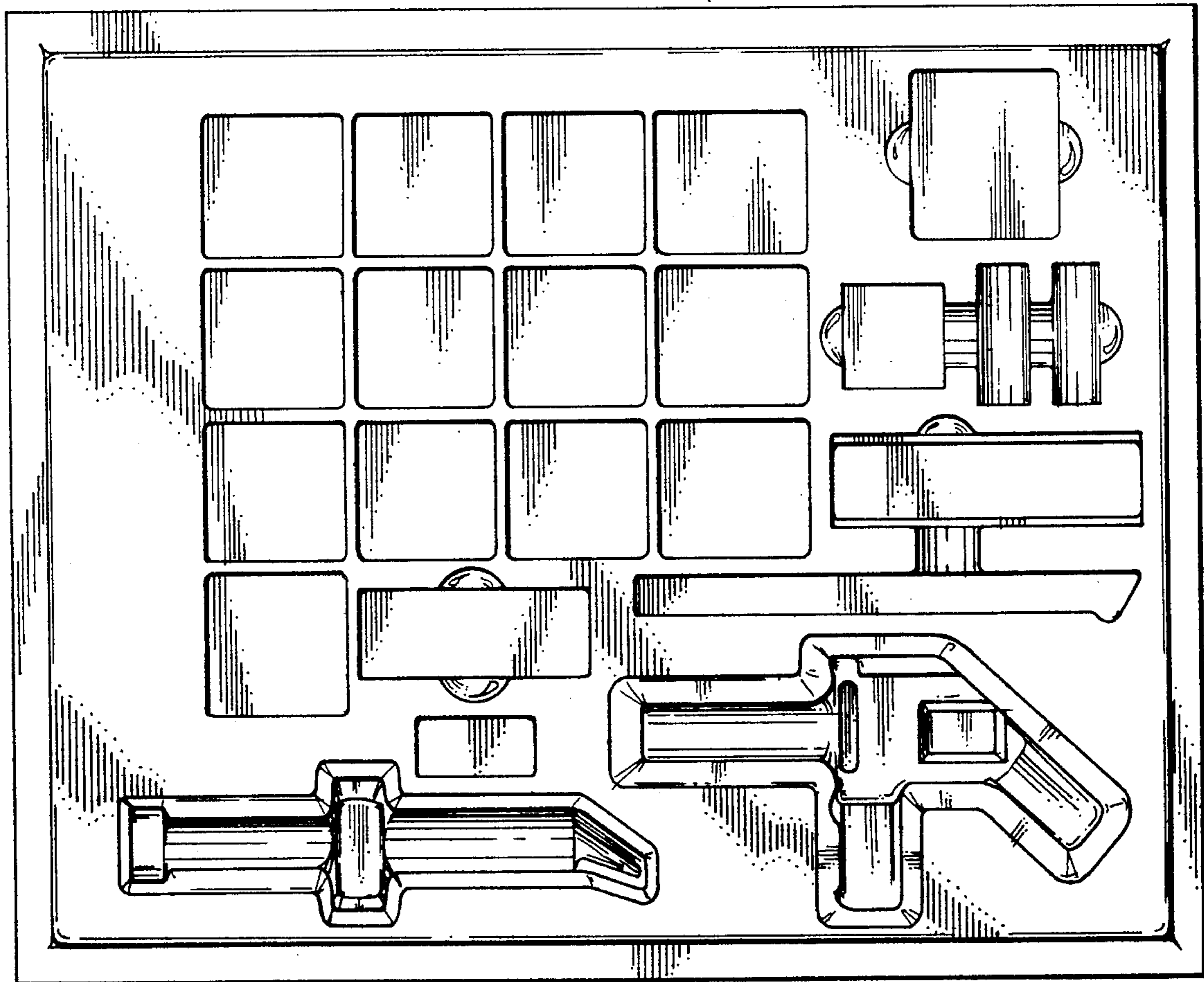


FIG. 4

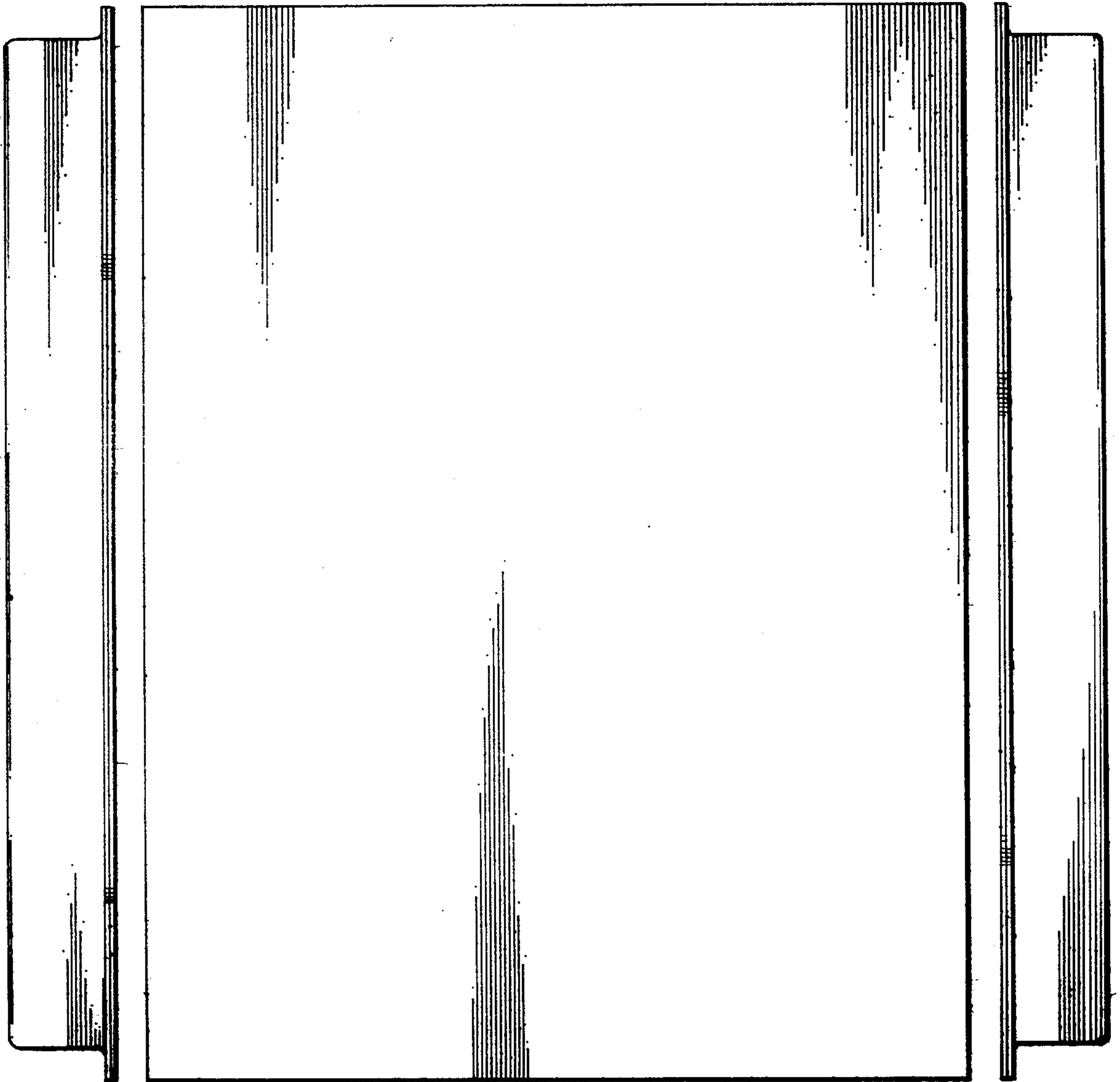
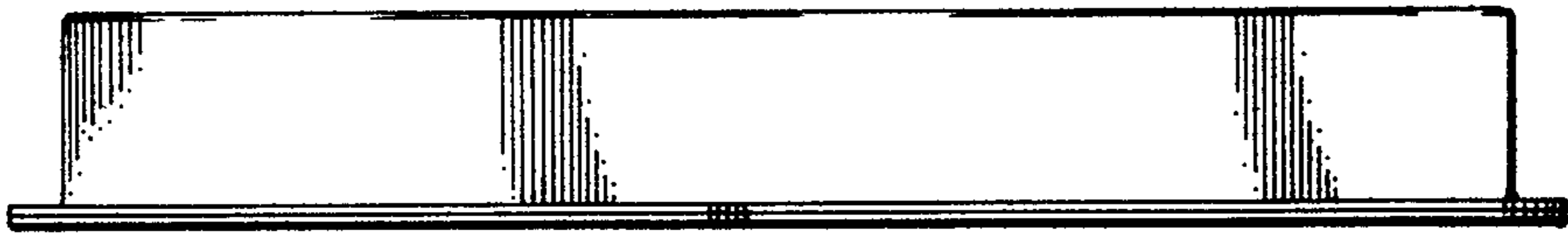


FIG. 7

FIG. 3

FIG. 5

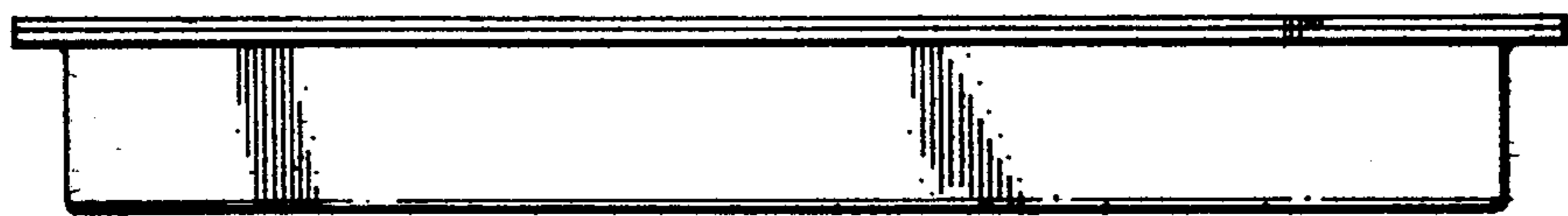


FIG. 6