

[54] PORTABLE DEFIBRILLATOR

[75] Inventors: Steven A. Chennault, Marysville; Stephen T. Vincent, Redmond, both of Wash.

[73] Assignee: Physio-Control Corporation, Redmond, Wash.

[**] Term: 14 Years

[21] Appl. No.: 587,597

[22] Filed: Mar. 8, 1984

[52] U.S. Cl. D24/17; 128/419 D

[58] Field of Search D24/8, 17, 29; D3/73; D10/46, 40; 128/419 D, 419 R, 419 S, 696-710; 364/415, 417

[56] References Cited

U.S. PATENT DOCUMENTS

D. 253,610	12/1979	Smith et al.	D24/29 X
D. 260,454	9/1981	Pepicelli, Jr. et al.	D3/73 X
D. 270,209	8/1983	Garth	D3/73
D. 277,133	1/1985	Houlihan	D24/17
4,077,413	3/1978	Partridge	128/419 D

Primary Examiner—A. Hugo Word

Assistant Examiner—Stella M. Reid
Attorney, Agent, or Firm—Christensen, O'Connor, Johnson & Kindness

[57] CLAIM

The ornamental design for a portable defibrillator, as shown and described.

DESCRIPTION

FIG. 1 is a front perspective view of a portable defibrillator showing our new design with removable cover installed;

FIG. 2 is a front perspective view thereof with cover removed;

FIG. 3 is a top plan view thereof, with the cover installed;

FIG. 4 is a top plan view thereof, without the cover;

FIG. 5 is a front elevational view thereof;

FIG. 6 is a left side elevational view thereof;

FIG. 7 is a rear elevational view thereof;

FIG. 8 is a bottom plan view thereof;

FIG. 9 is a top plan view of the cover;

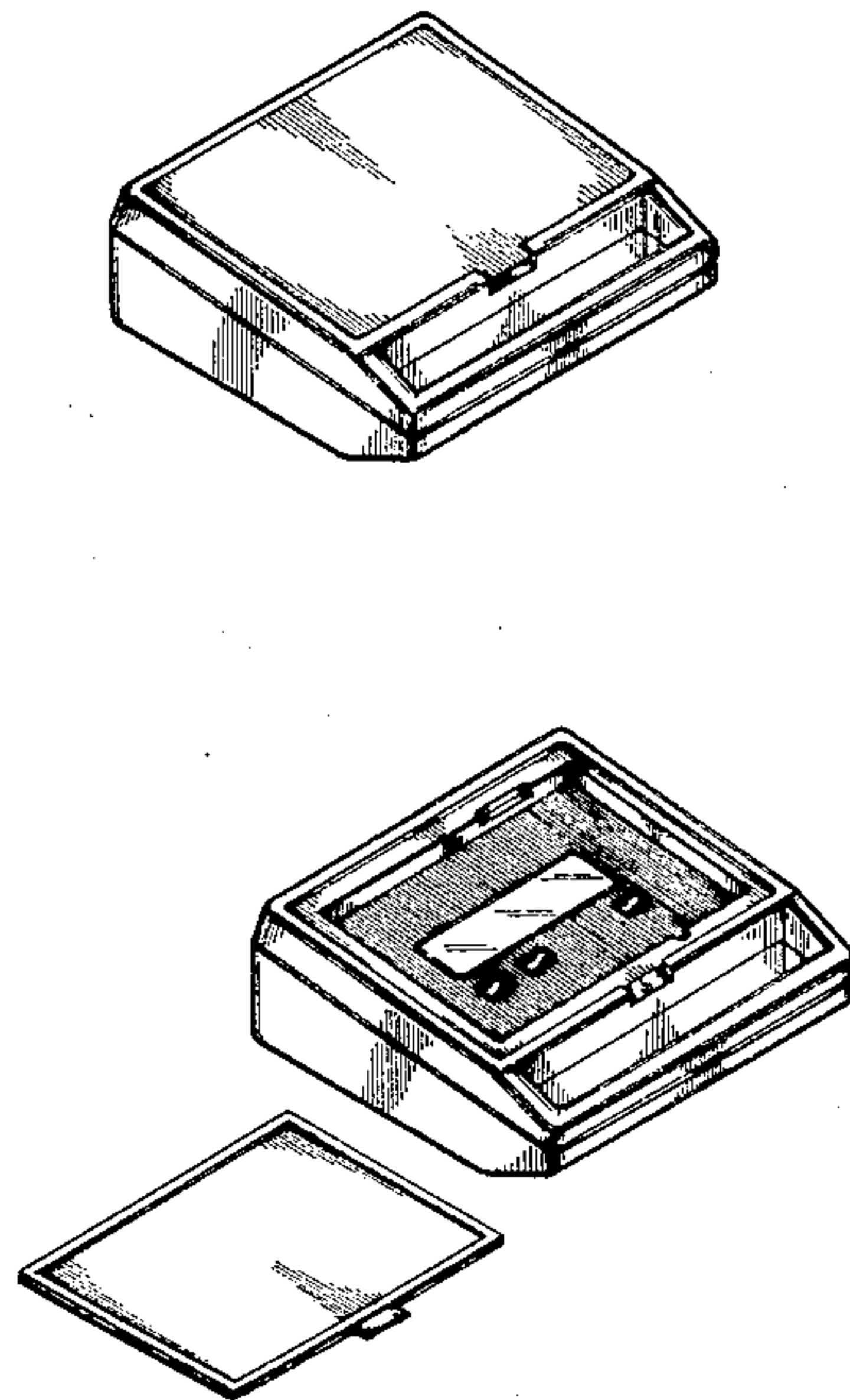
FIG. 10 is a bottom plan view of the cover;

FIG. 11 is a left side elevational view of the cover;

FIG. 12 is a right side elevational view of the cover;

FIG. 13 is a front elevational view of the cover; and,

FIG. 14 is a rear elevational view of the cover.



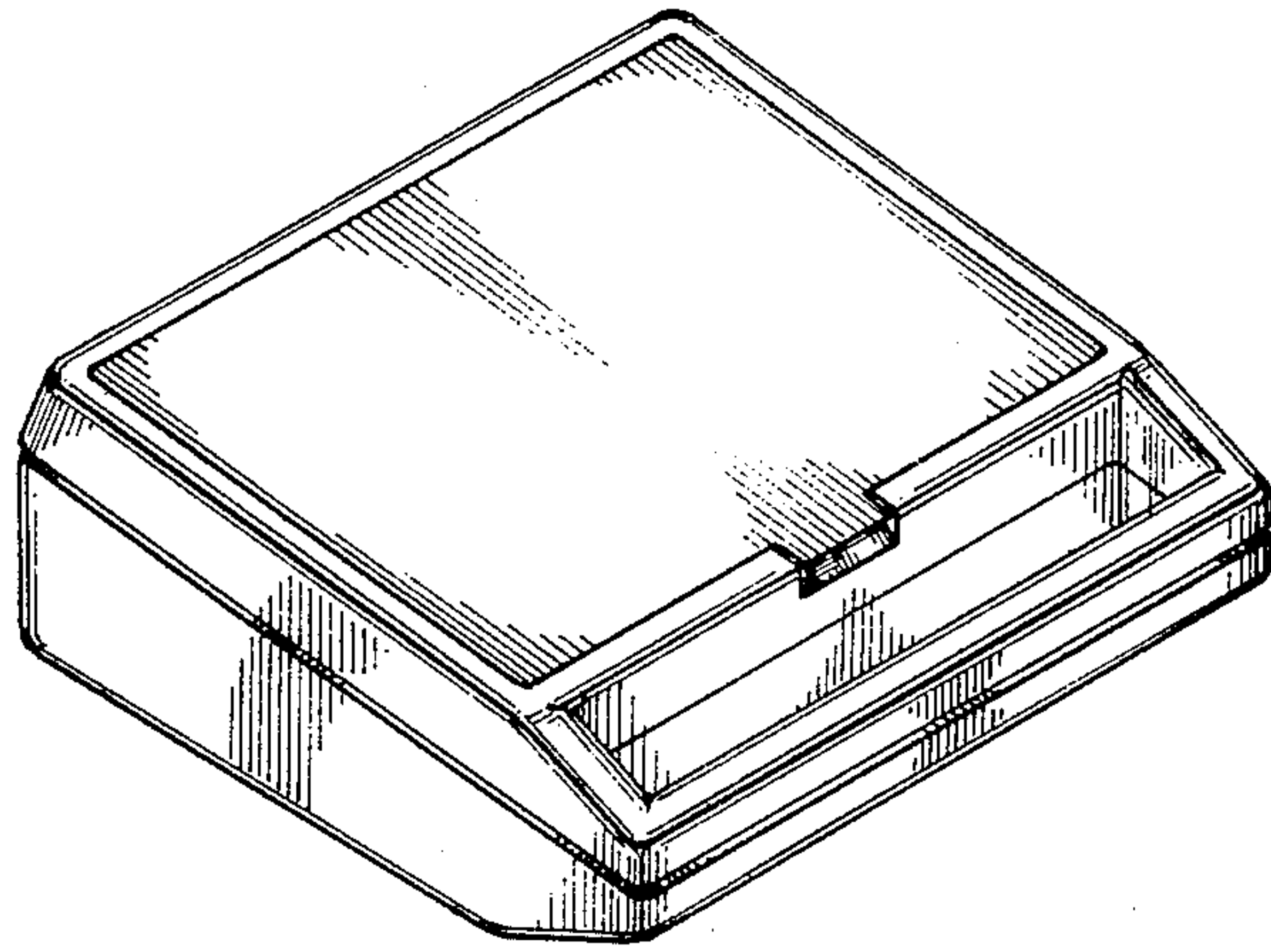


Fig. 1.

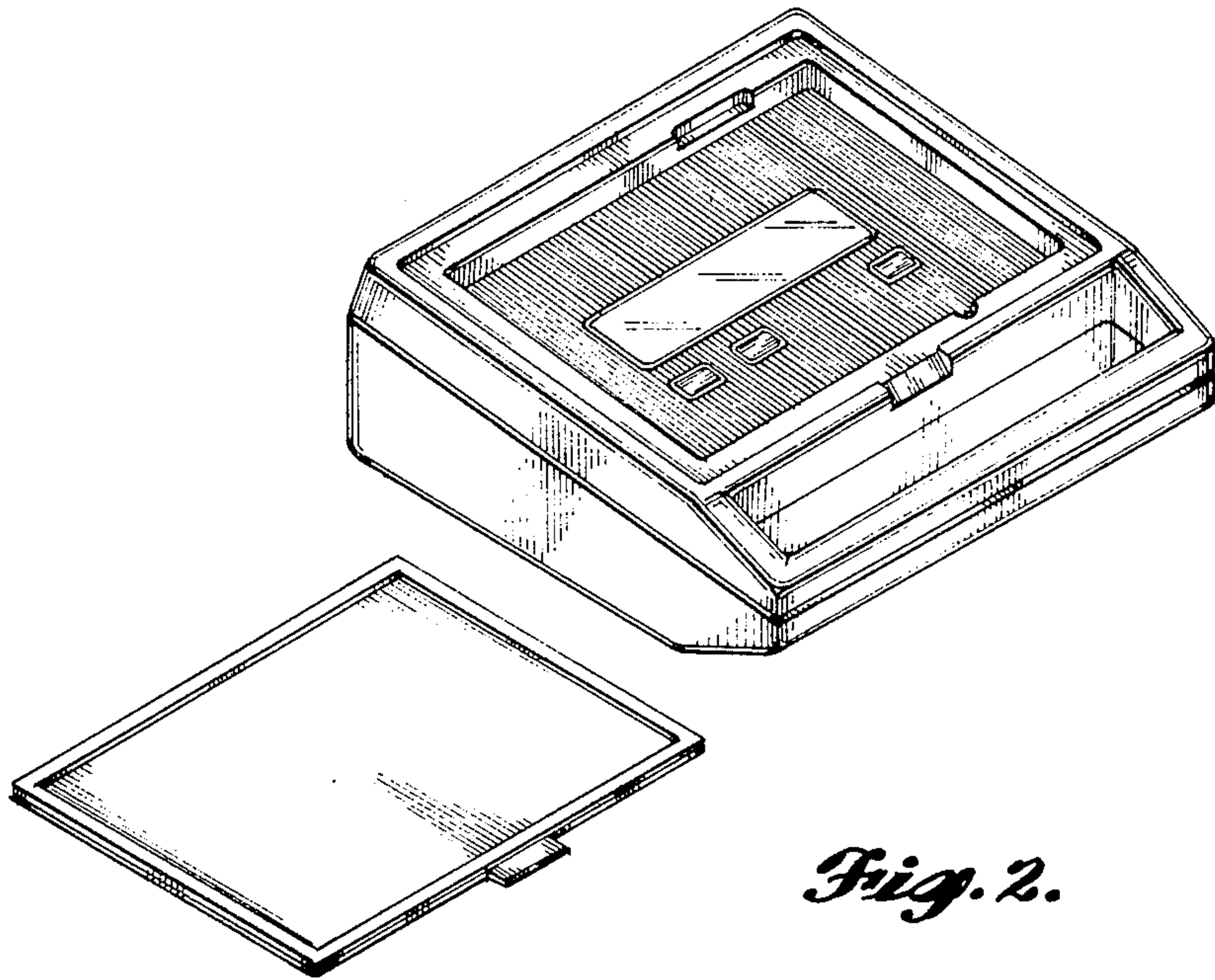


Fig. 2.

Fig. 3.

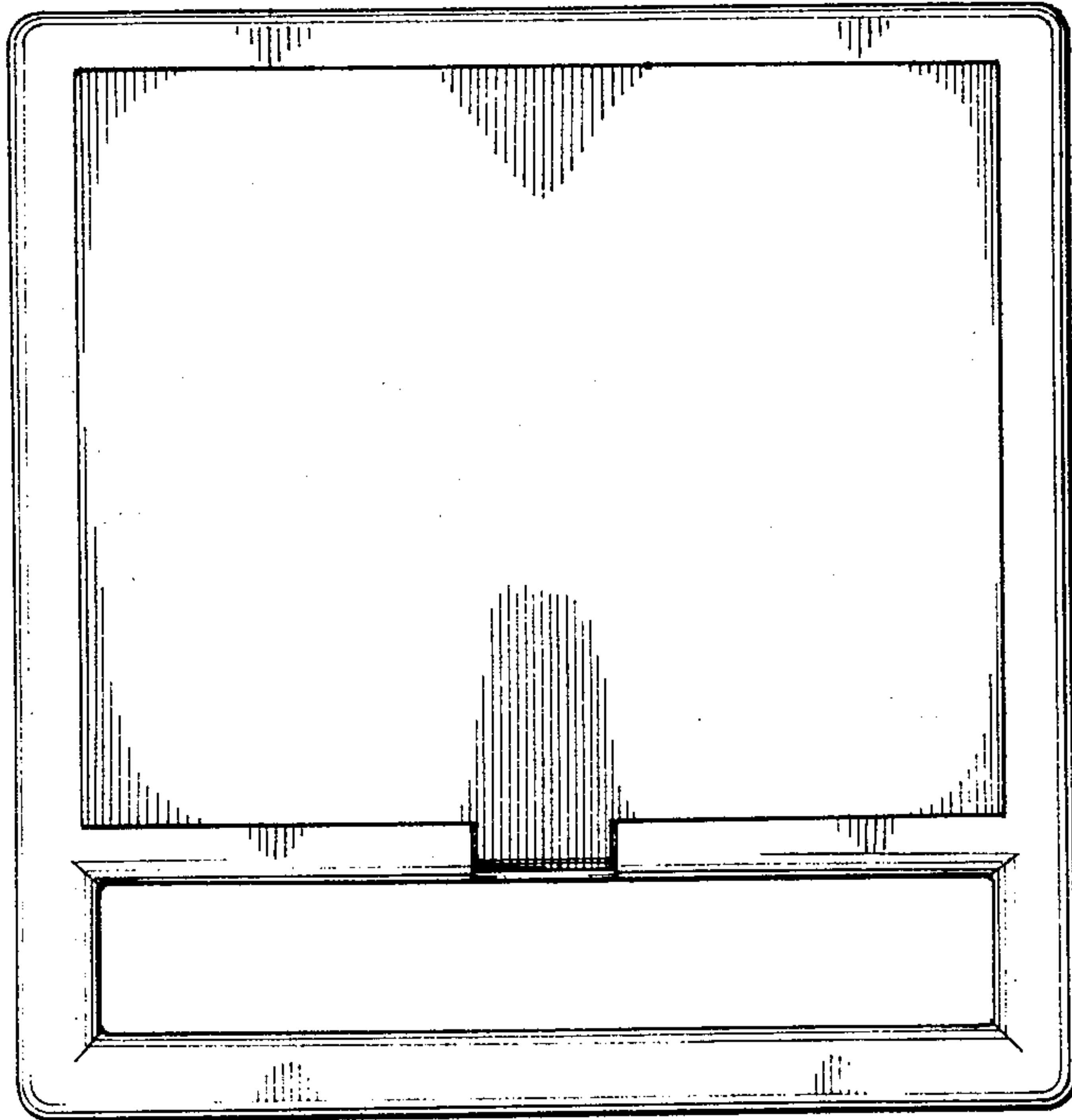
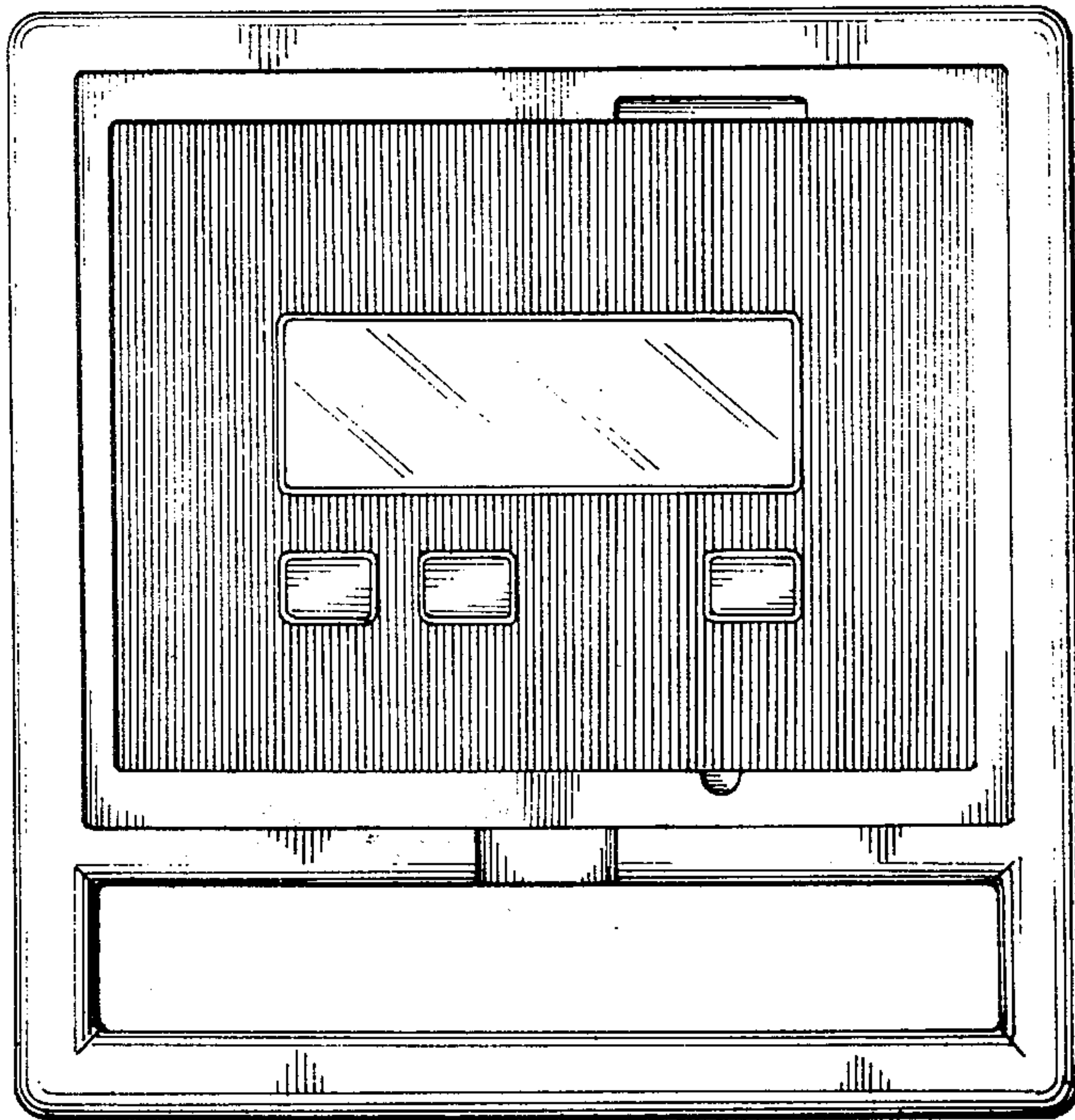


Fig. 4.



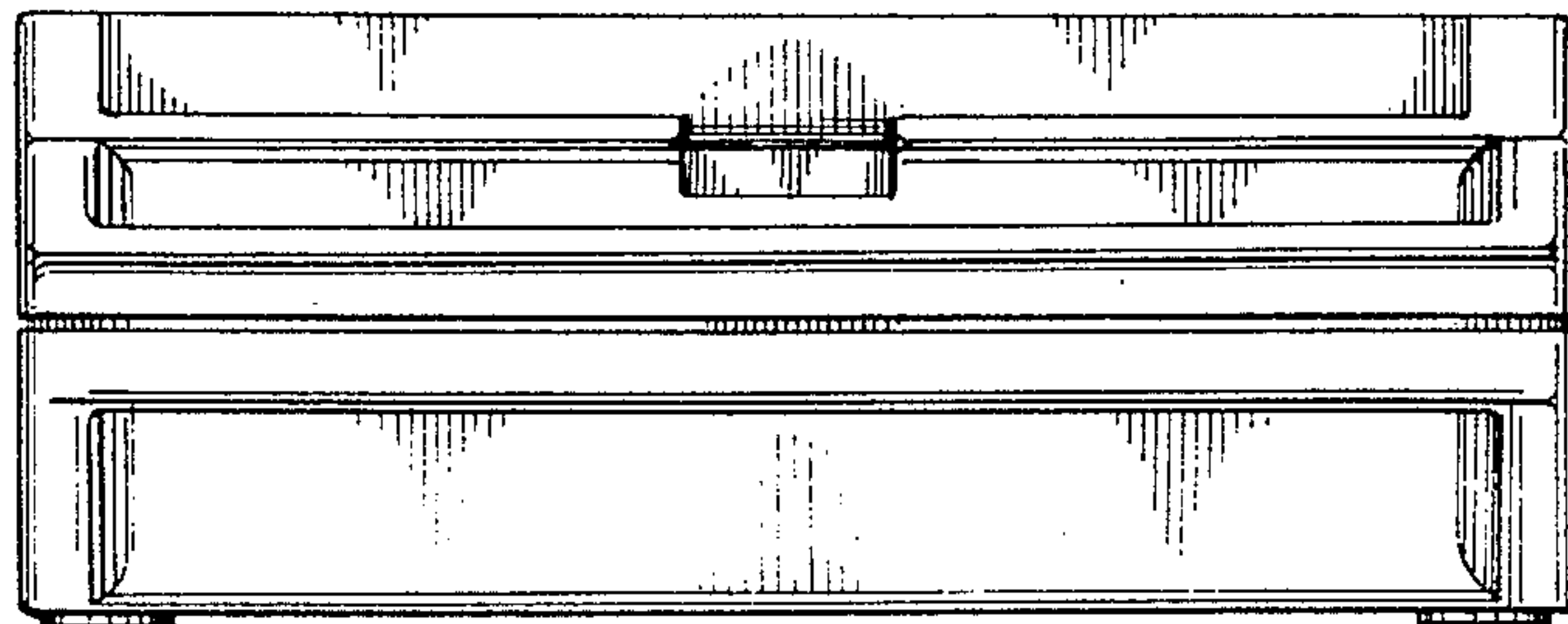


Fig. 5.

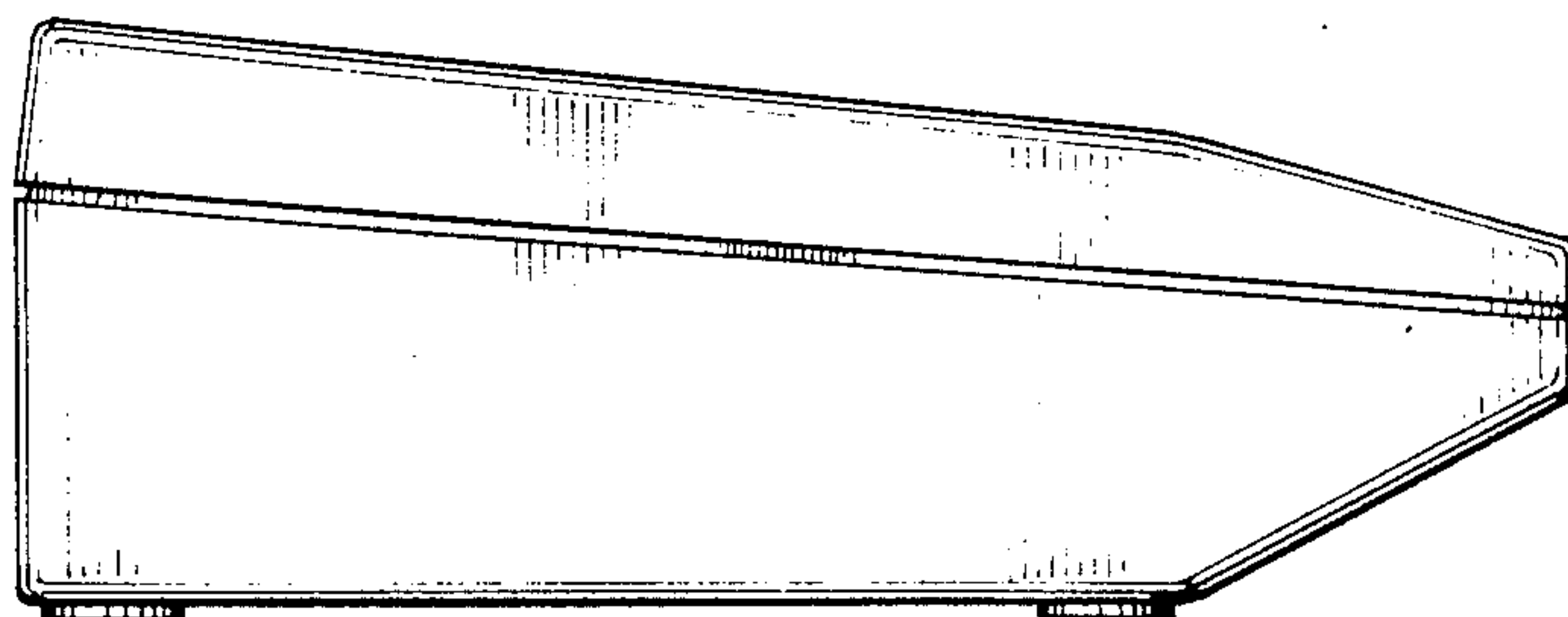


Fig. 6.

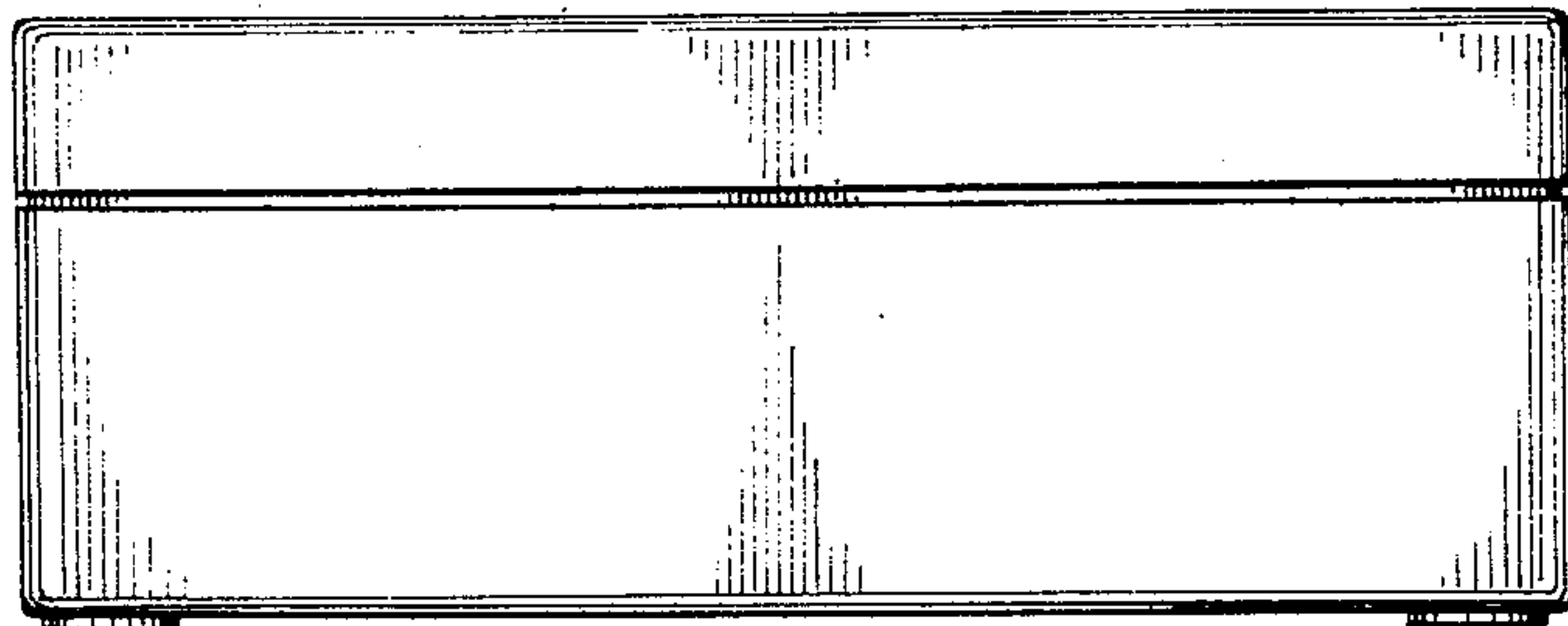


Fig. 7.

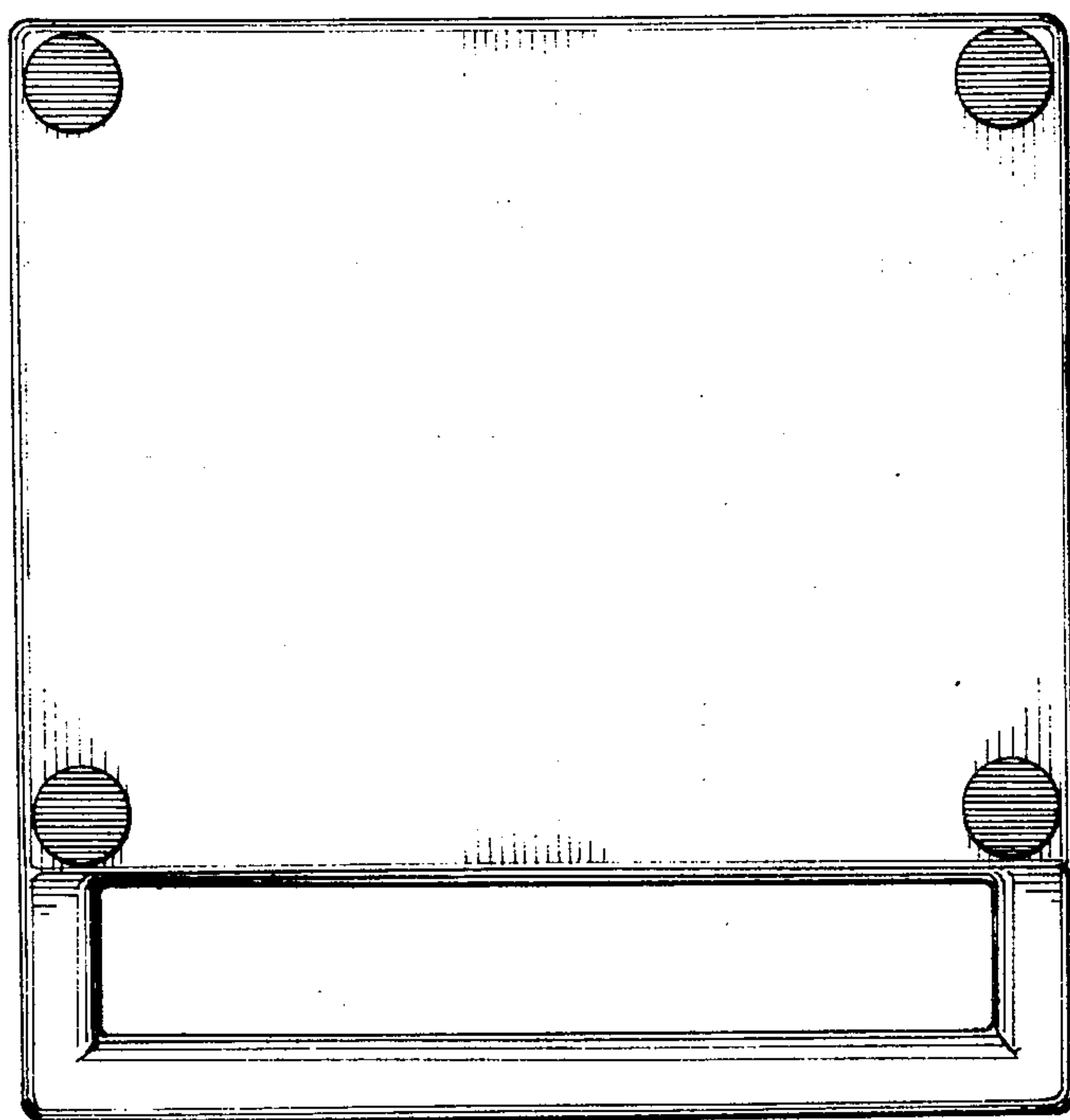


Fig. 8.

Fig. 9.

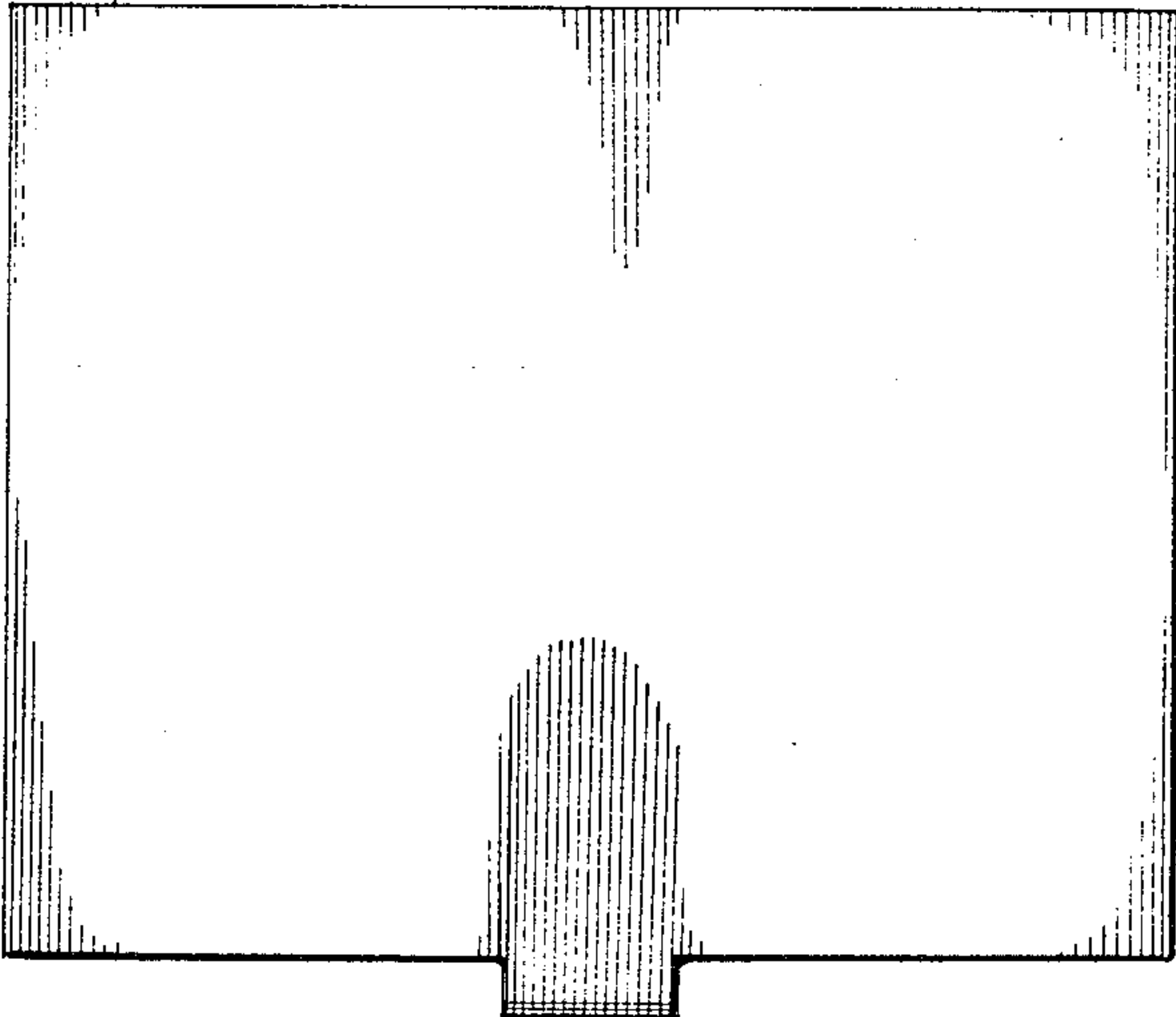


Fig. 10.

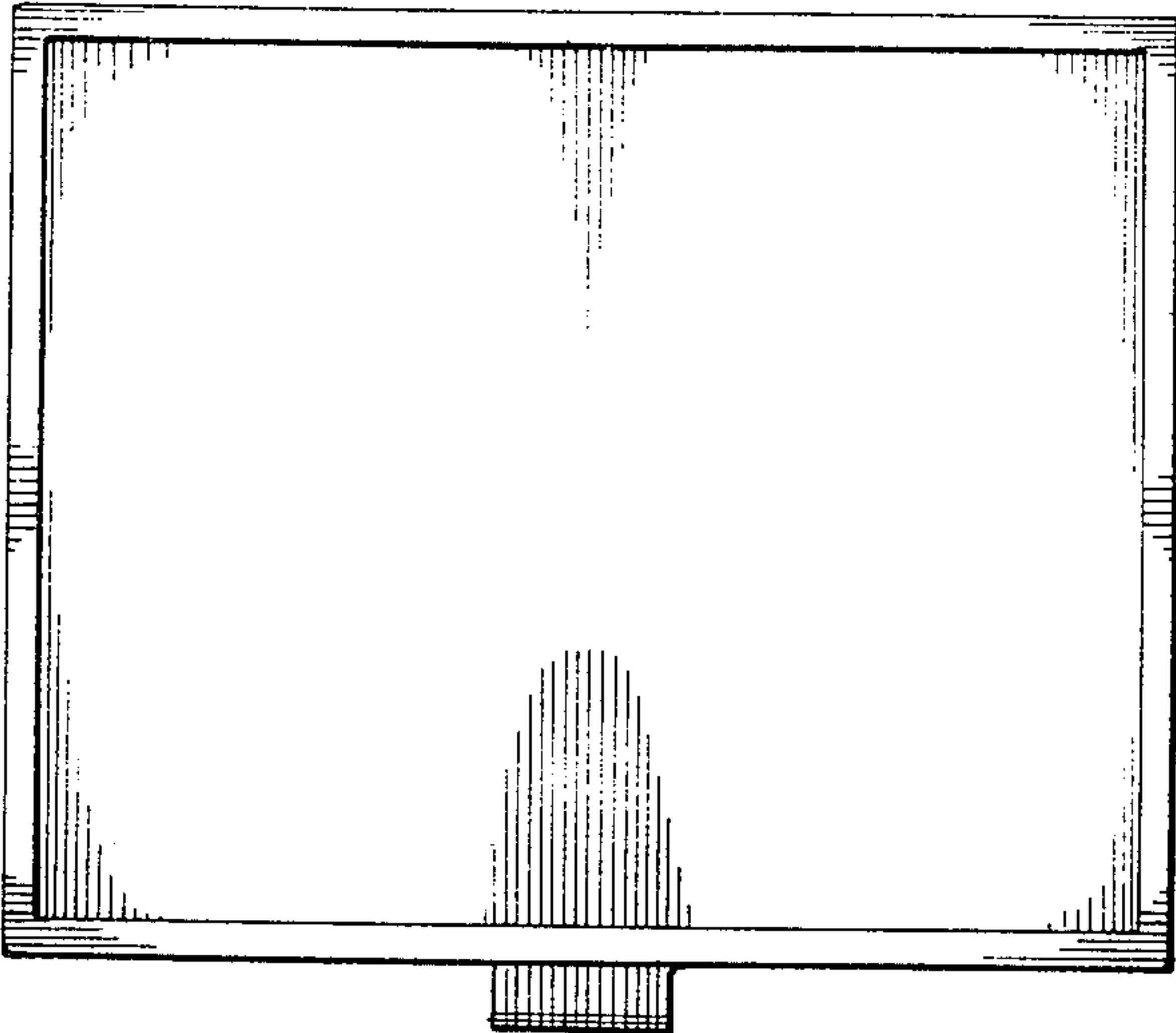


Fig. 11.

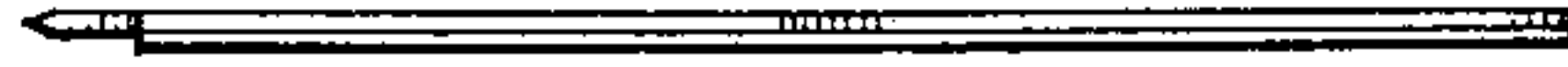


Fig. 12.



Fig. 13.



Fig. 14.

