

[54] DISPOSABLE RECEPTACLE FOR A NEEDLE AND SYRINGE DESTRUCTOR

[75] Inventors: Michael J. Szablak, Stephens City; Glen E. Tomblin, Winchester, both of Va.

[73] Assignee: Rubbermaid Commercial Products Inc., Winchester, Va.

[**] Term: 14 Years

[21] Appl. No.: 585,306

[22] Filed: Mar. 1, 1984

[52] U.S. Cl. D24/99; D24/8

[58] Field of Search D24/8, 14, 24, 56, 99; D34/40; D9/424, 425, 456; 206/366, 519, 364, 365, 203; 220/254, 66; 83/167, 925

[56] References Cited

U.S. PATENT DOCUMENTS

D. 246,872	1/1978	White	D34/40
D. 265,684	8/1982	Christoffel et al.	D24/8 X
3,170,594	2/1965	Nascher	D34/40 X
4,373,642	2/1983	Wolters et al.	206/519 X

Primary Examiner—A. Hugo Word
Assistant Examiner—Stella M. Reid
Attorney, Agent, or Firm—Renner, Kenner, Greive, Bobak & Taylor

[57] CLAIM

The ornamental design for a disposable receptacle for a needle and syringe destructor, as shown and described.

DESCRIPTION

FIG. 1 is a perspective view of a disposable receptacle for a needle and syringe destructor embodying our new design showing a slidable door in the top thereof in an open position;

FIG. 2 is a perspective view of the disposable receptacle for a needle and syringe destructor showing the slidable door in the top thereof in a closed position;

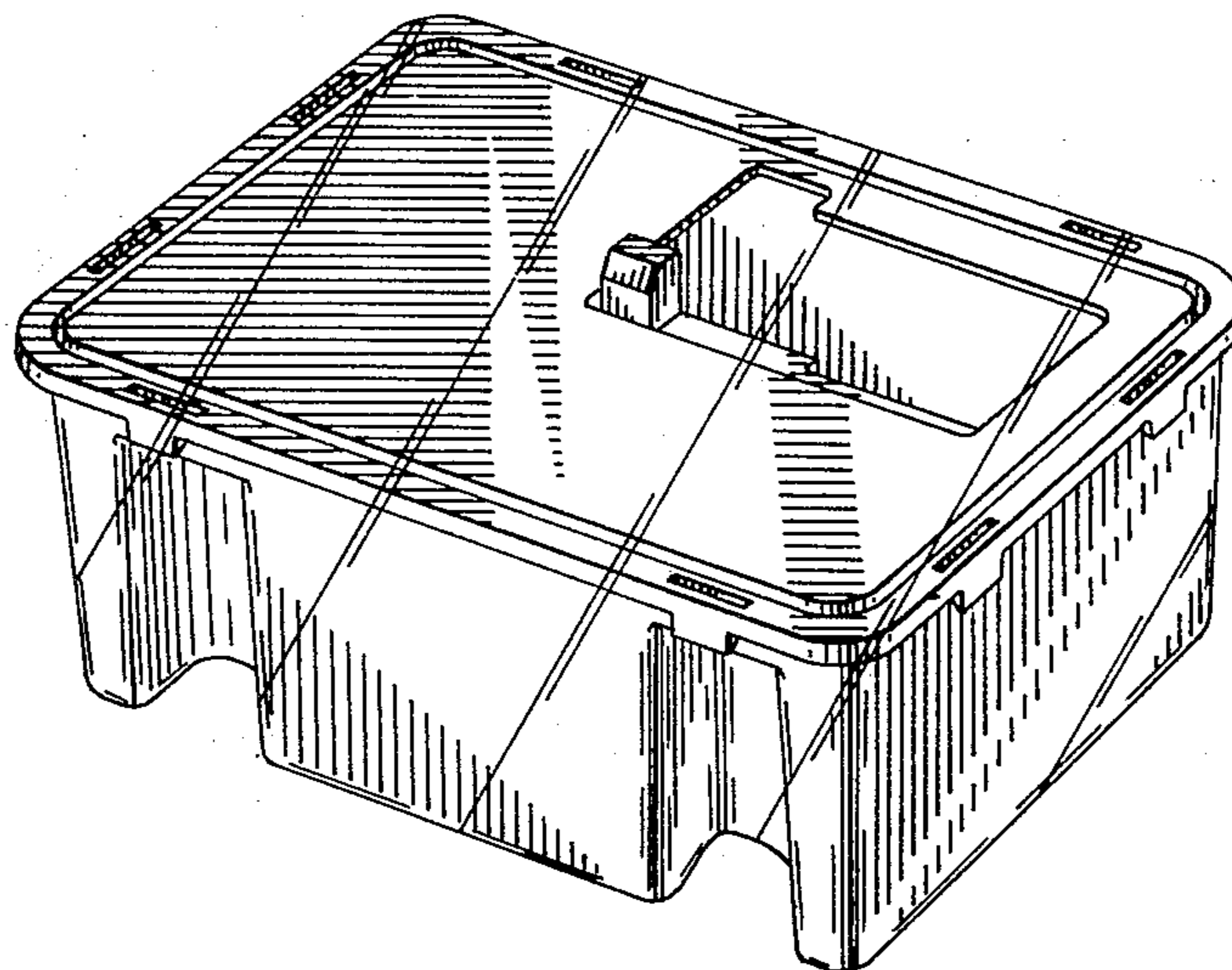
FIG. 3 is a front elevational view thereof;

FIG. 4 is a rear elevational view thereof;

FIG. 5 is a bottom plan view thereof;

FIG. 6 is a cross sectional view taken substantially along line 6—6 of FIG. 5 showing the door in the closed position;

FIG. 7 is an exploded perspective view thereof.



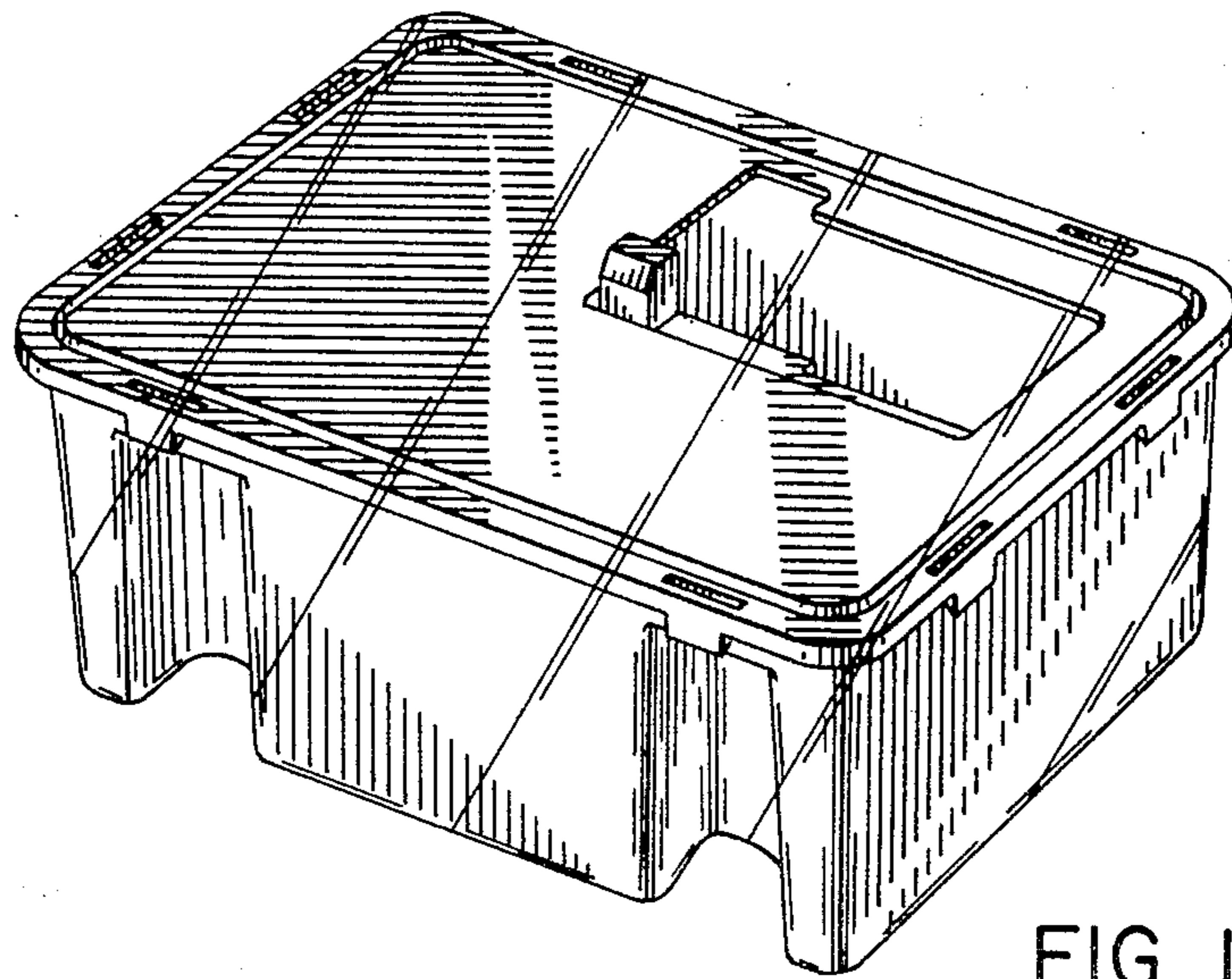


FIG. 1

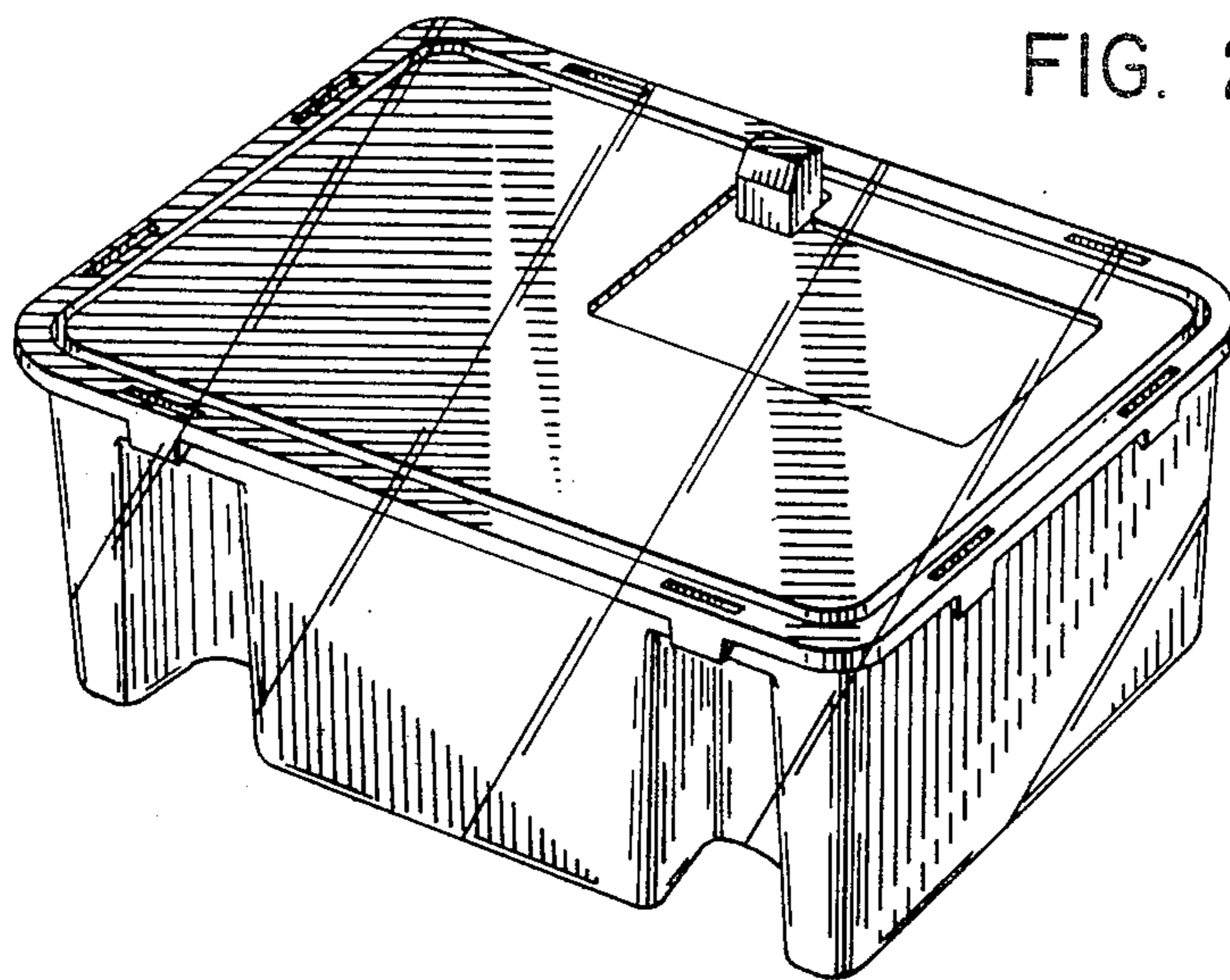


FIG. 2

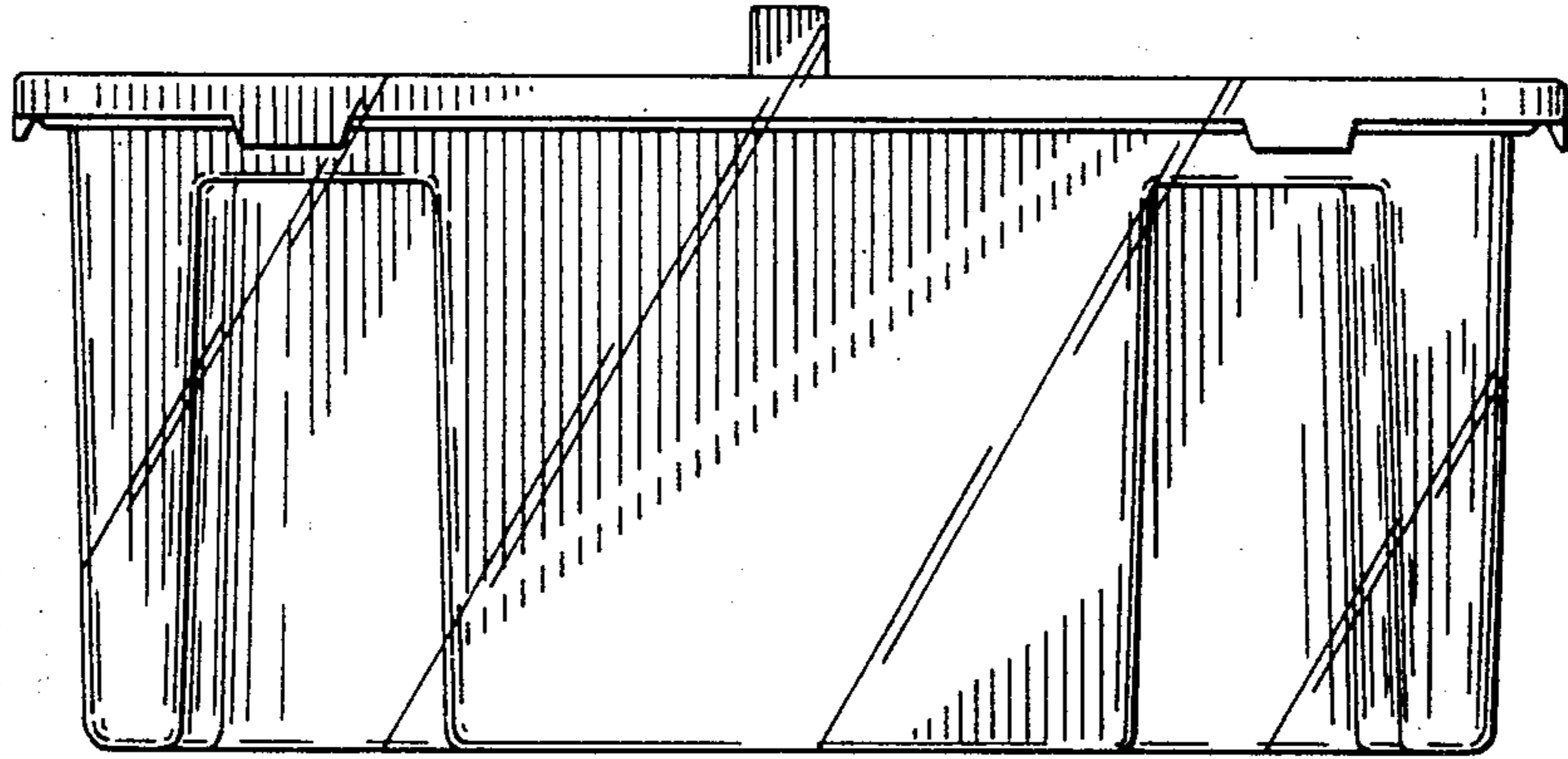


FIG. 3

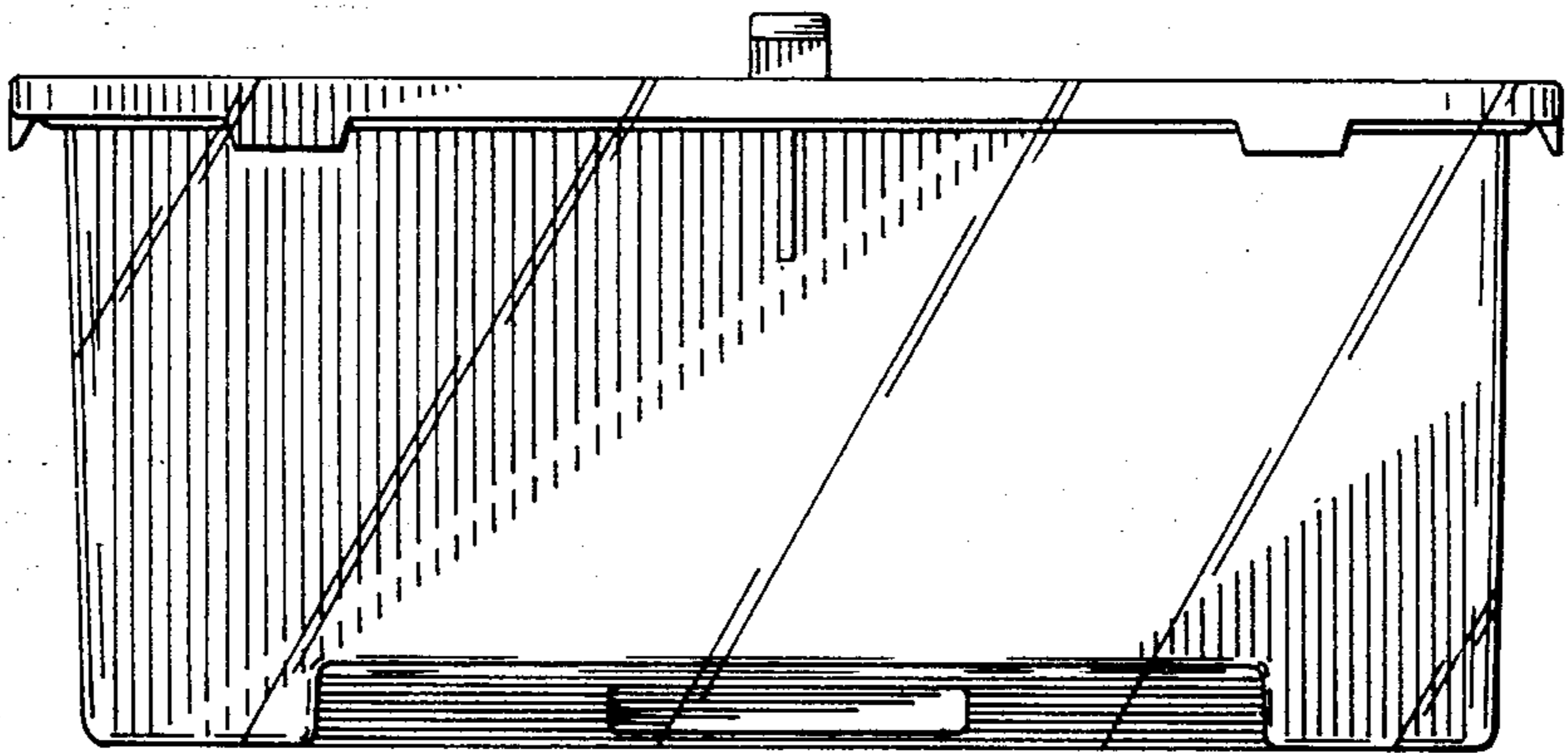


FIG. 4

FIG. 5

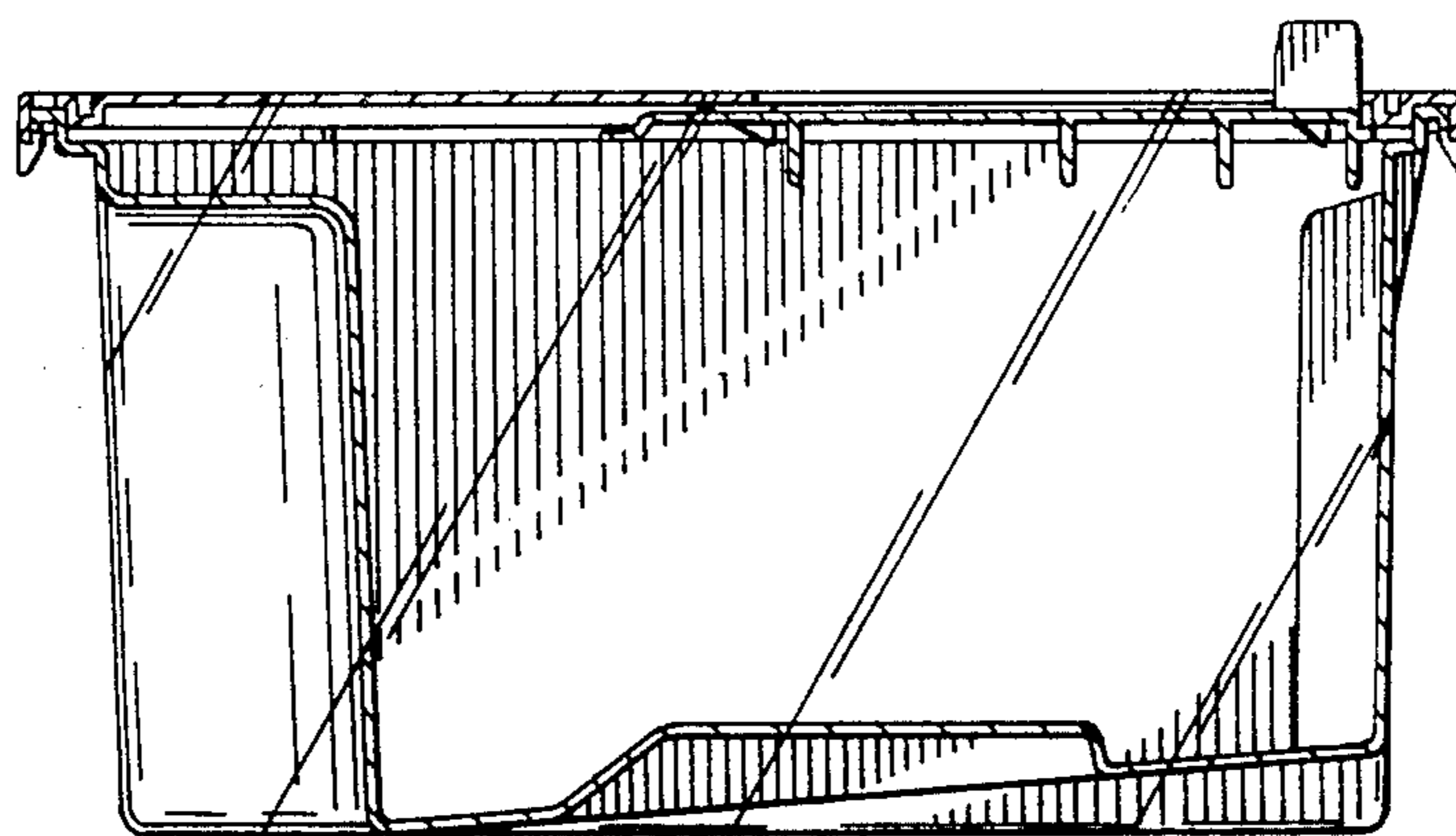
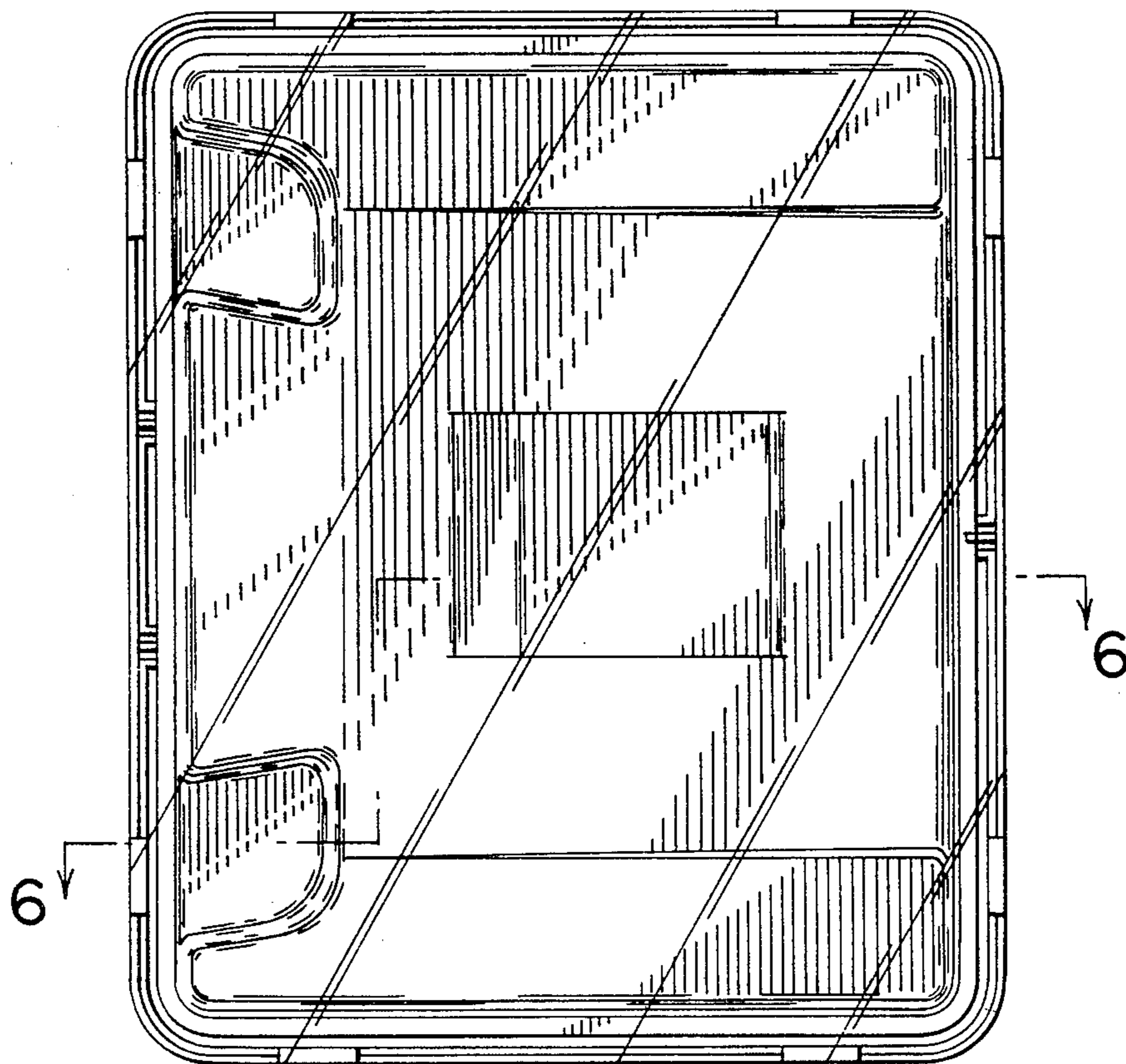


FIG. 6

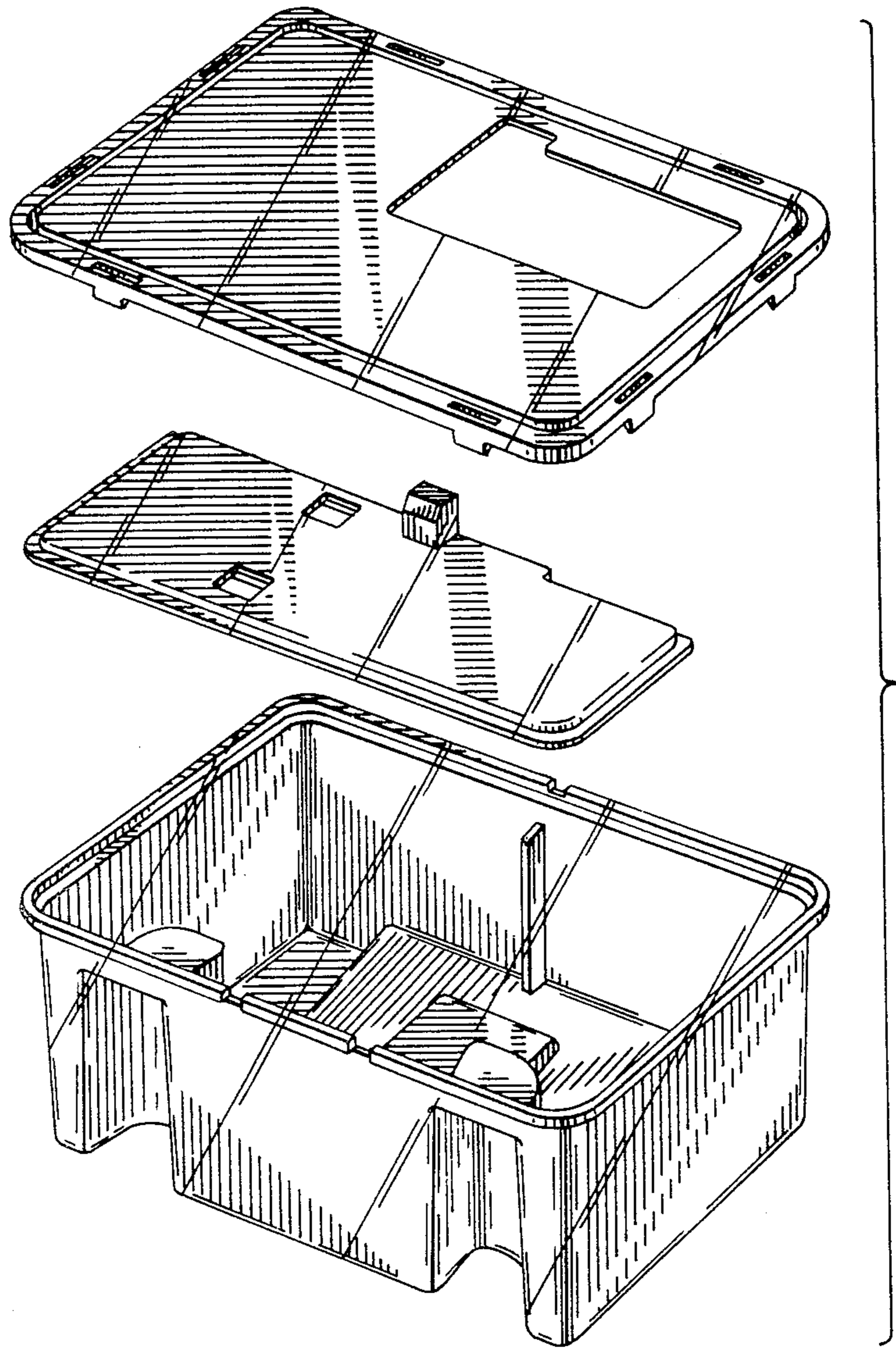


FIG. 7