

[54] TOY LAP DESK

[75] Inventor: Beverly W. Taylor, Hermann, Mo.

[73] Assignee: Handi-Pac, Inc., Hermann, Mo.

[**] Term: 14 Years

[21] Appl. No.: 580,565

[22] Filed: Feb. 15, 1984

[52] U.S. Cl. D21/121

[58] Field of Search D6/396, 397; D21/59, D21/100, 121; 446/479, 481

[56] References Cited

U.S. PATENT DOCUMENTS

- D. 241,222 8/1976 Cormier D7/38
- D. 250,437 12/1978 Korpjaakko D6/397
- D. 251,469 4/1979 Elliott et al. D7/37
- 3,917,275 11/1975 Alpher 446/227

FOREIGN PATENT DOCUMENTS

13007 of 1913 United Kingdom D7/38

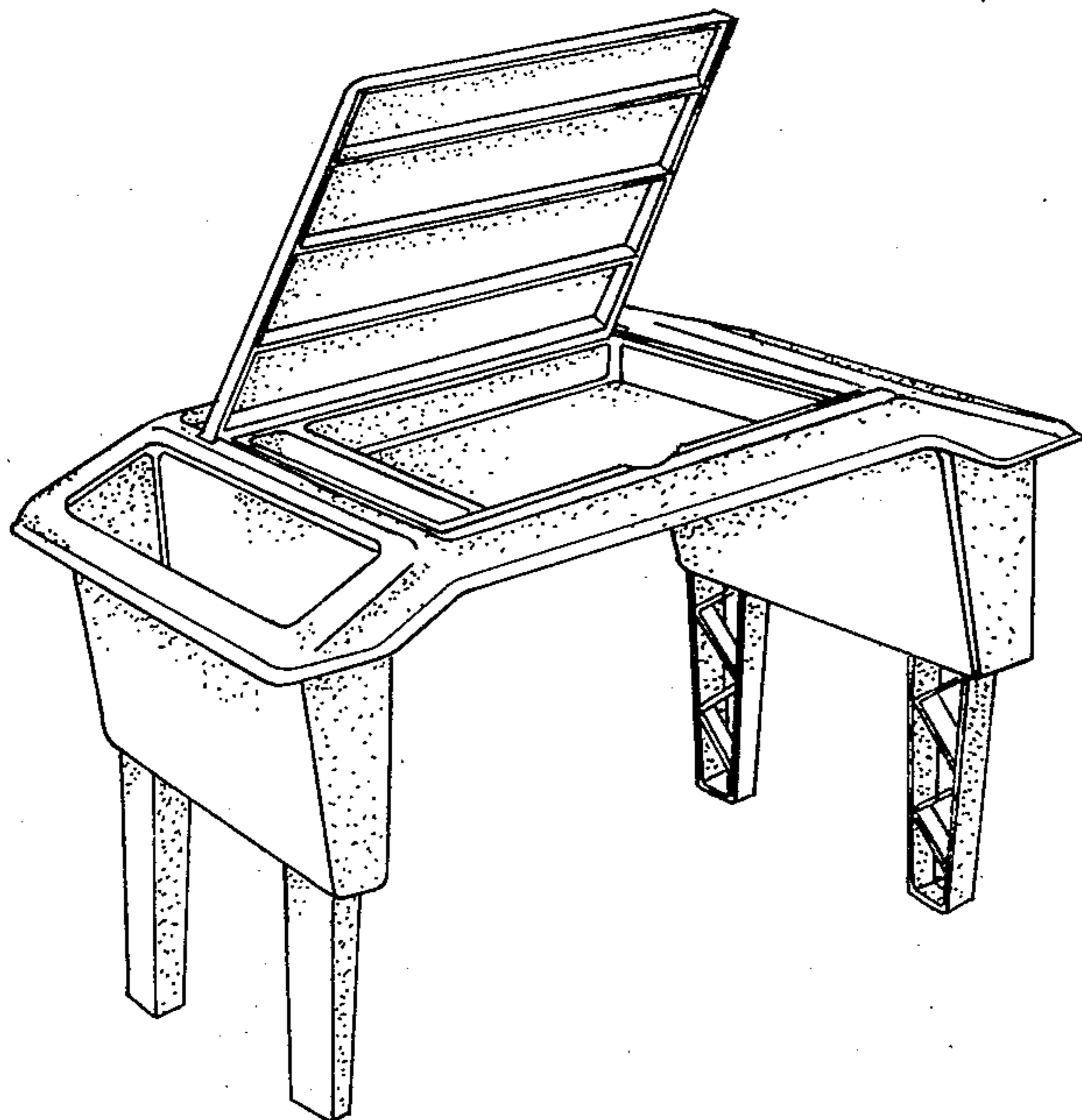
Primary Examiner—Charles A. Rademaker
Attorney, Agent, or Firm—Polster, Polster and Lucchesi

[57] CLAIM

The ornamental design for toy lap desk, as shown and described.

DESCRIPTION

FIG. 1 is a perspective view of as toy lap desk showing my new design with the top in an opened condition; FIG. 2 is another perspective view thereof with the top in a closed condition; FIG. 3 is a top plan view thereof; FIG. 4 is a rear elevational view thereof; FIG. 5 is a bottom plan view thereof; and, FIG. 6 is a side elevational view thereof, the side opposite being a mirror image.



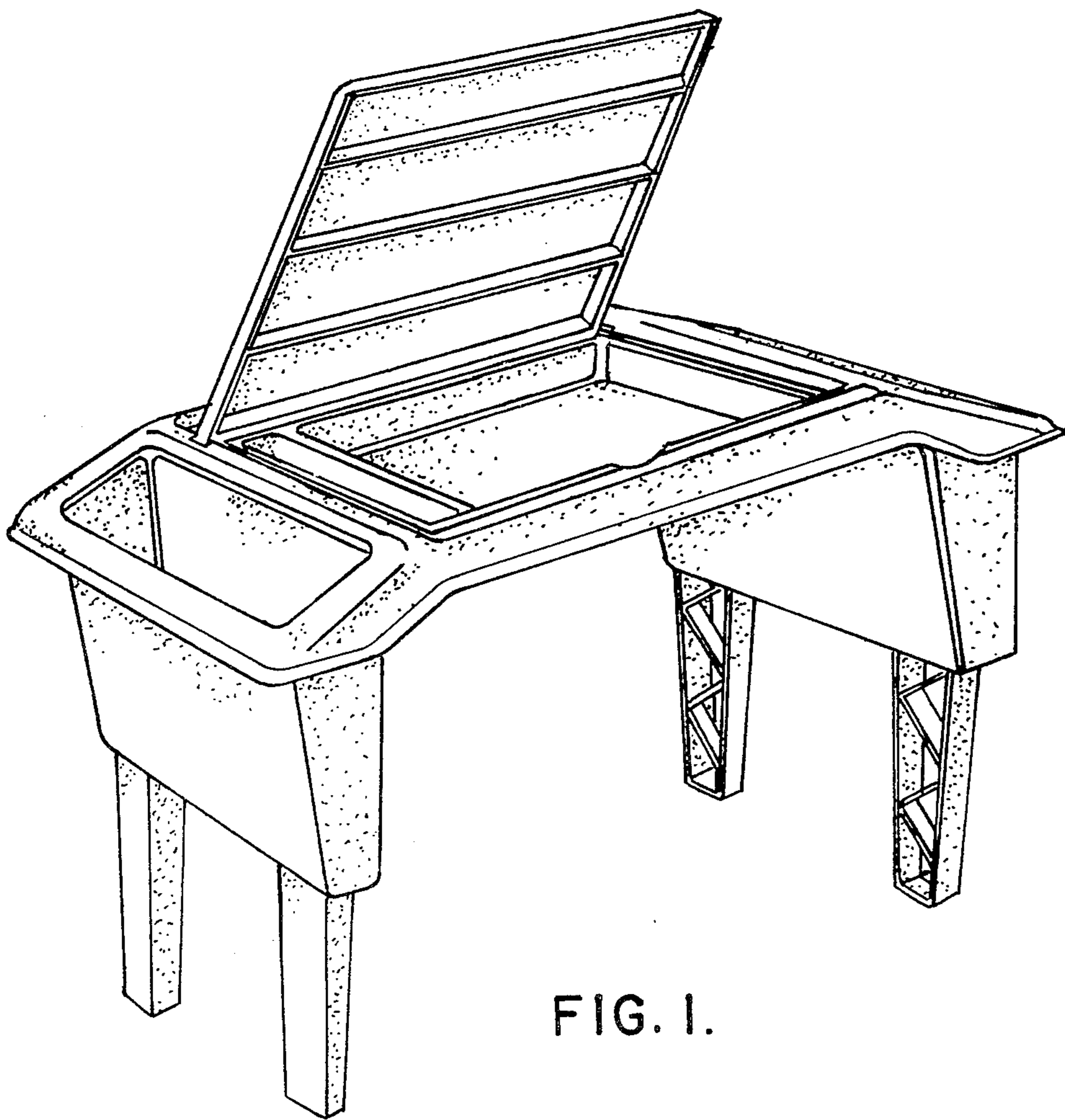


FIG. 1.

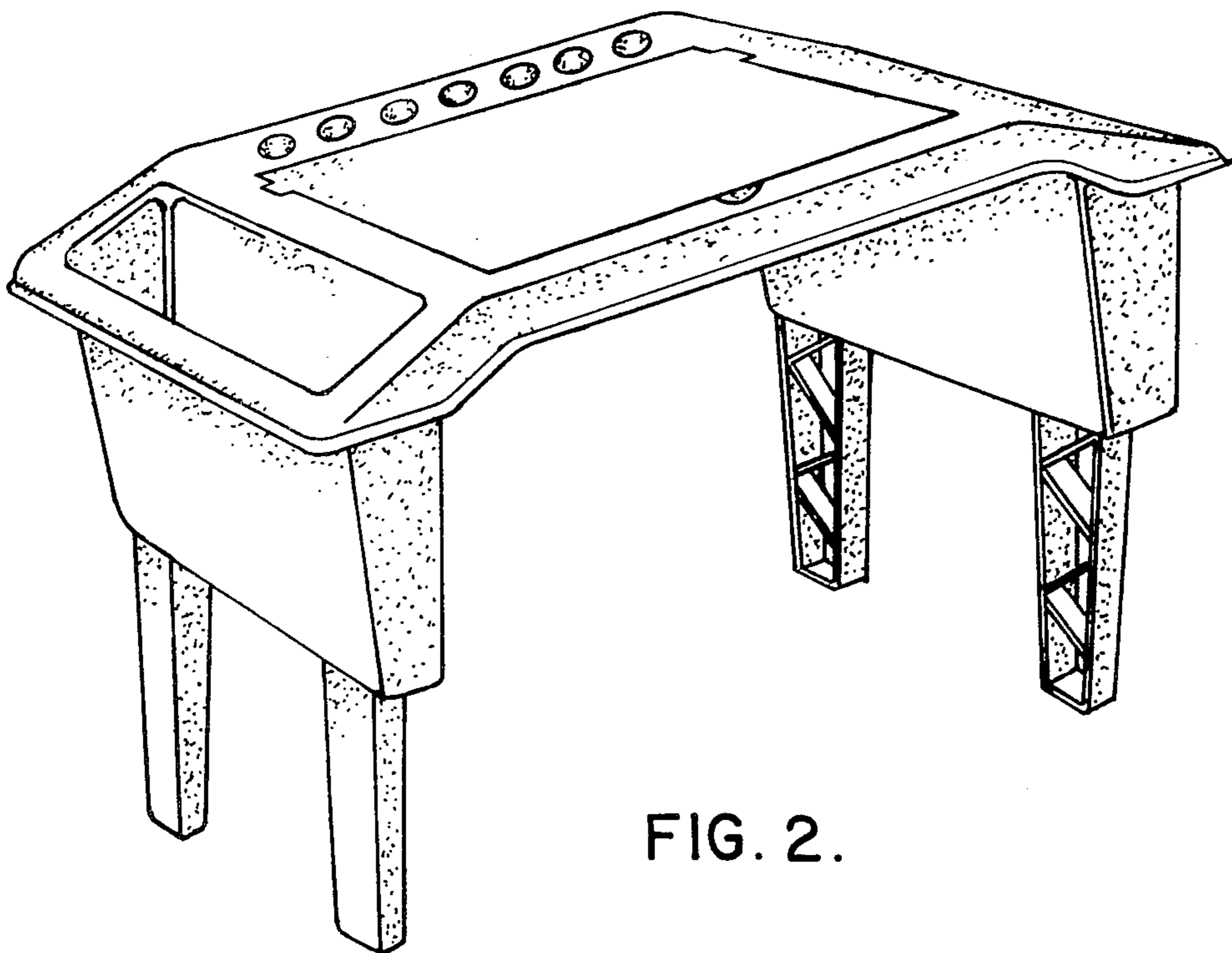


FIG. 2.

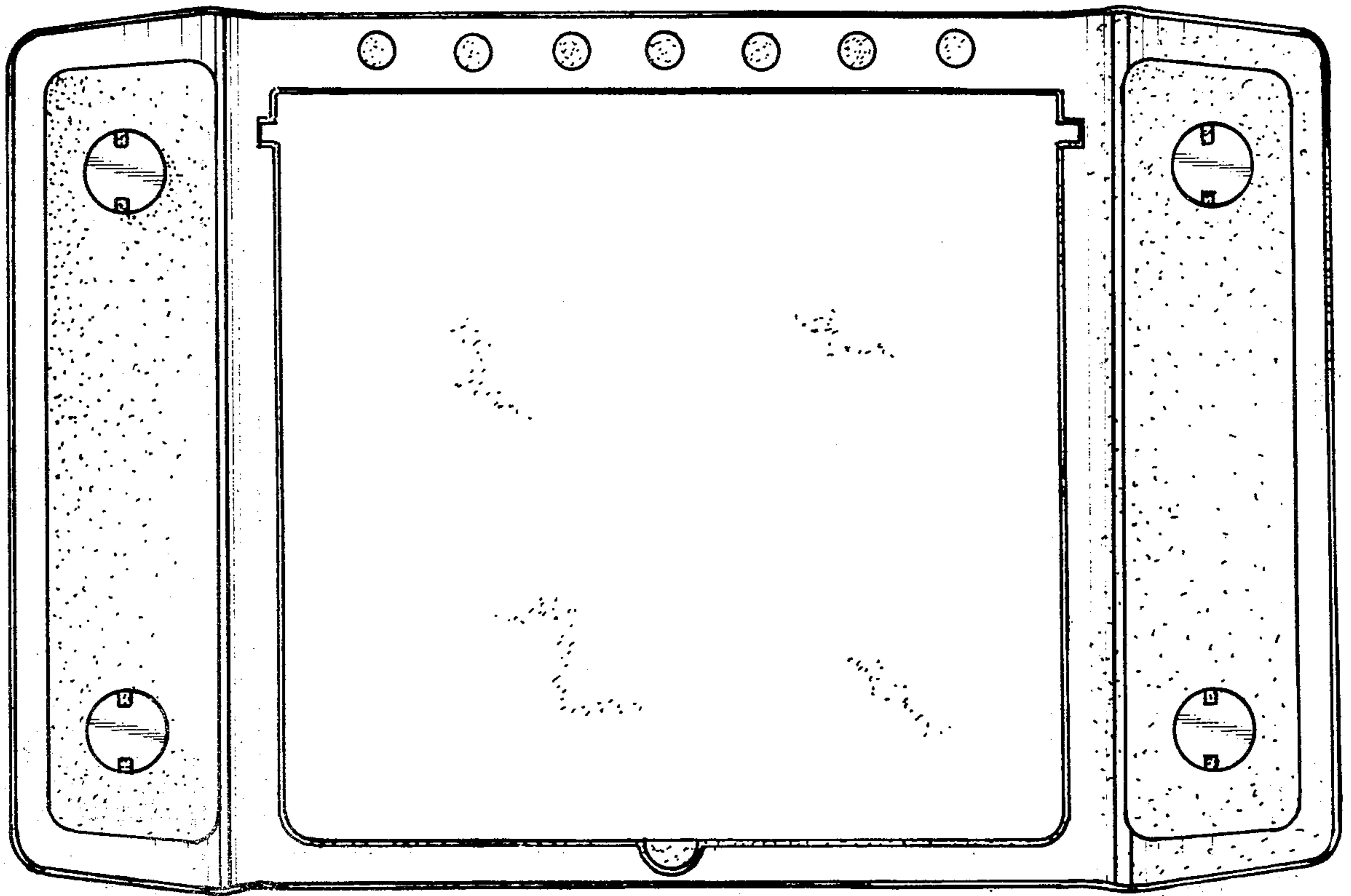


FIG. 3.

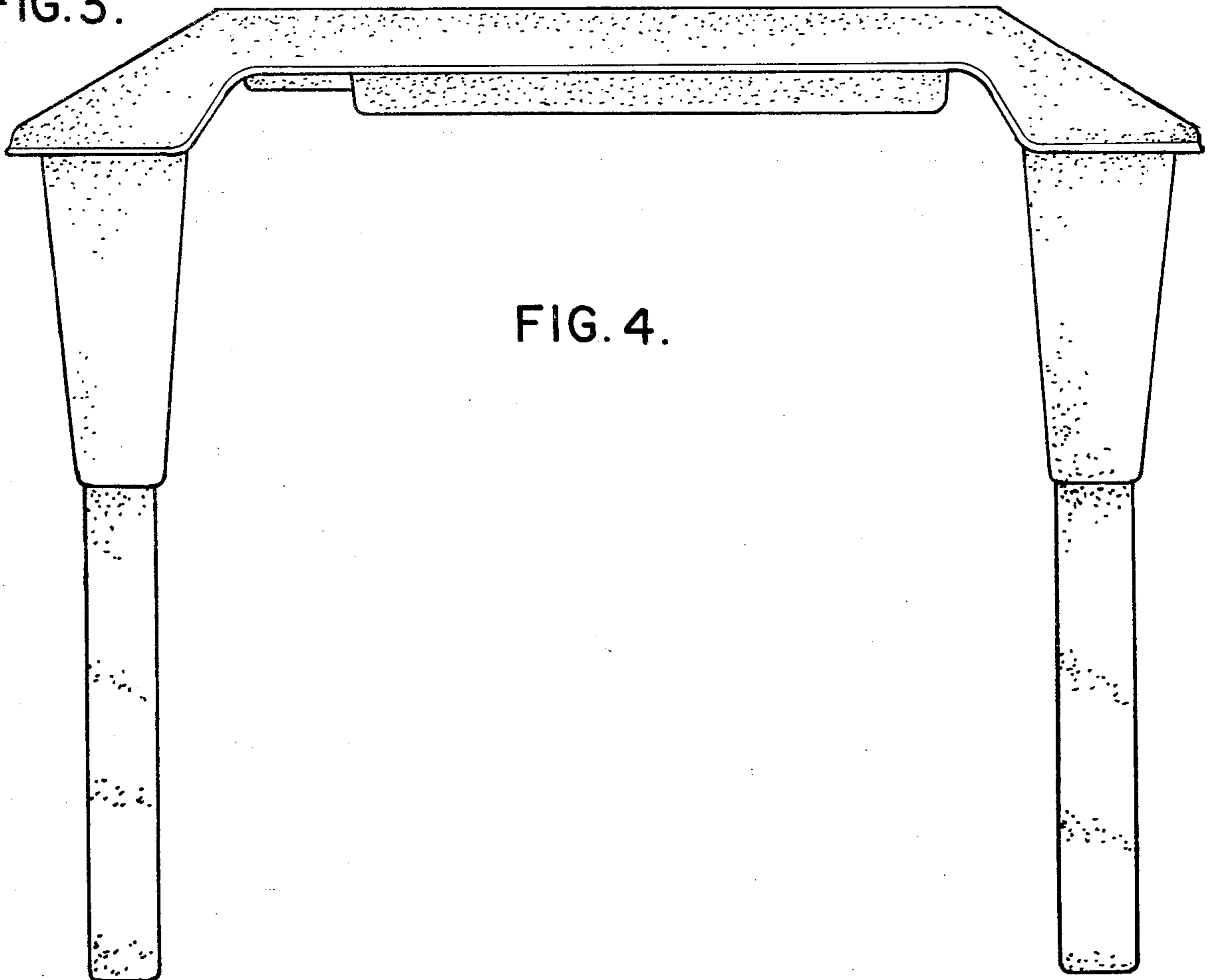


FIG. 4.

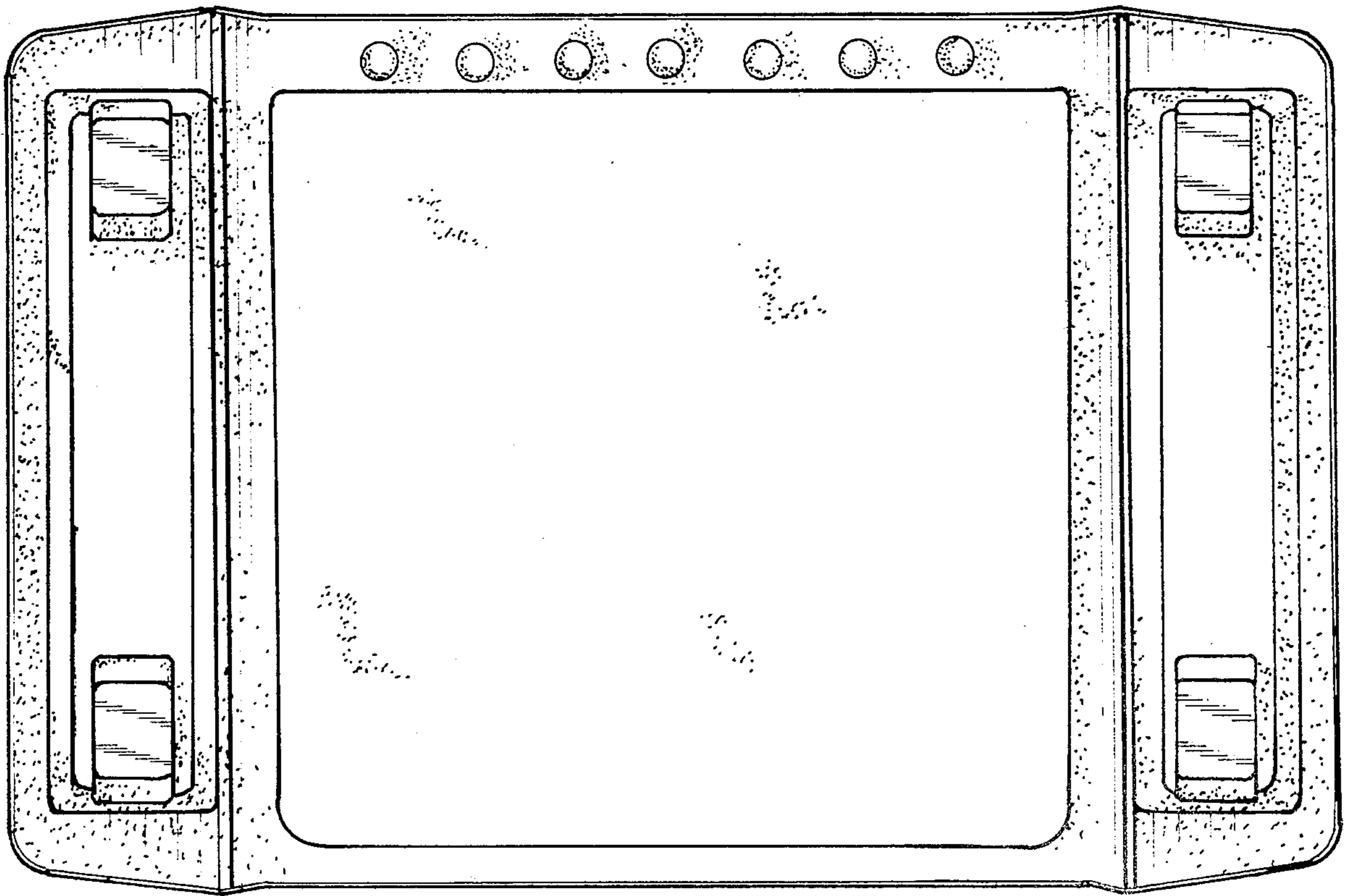


FIG. 5.

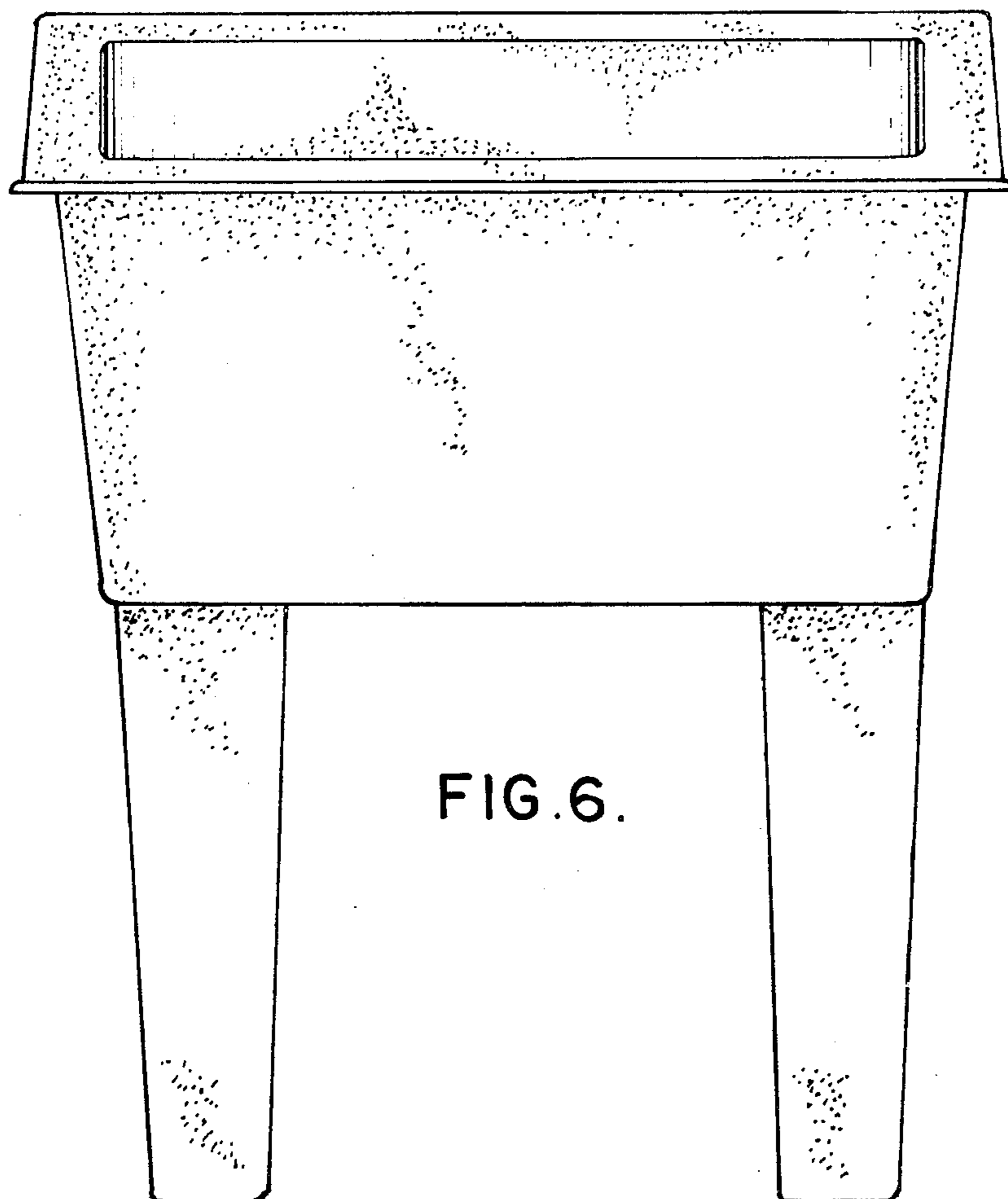


FIG. 6.