

[54] CAMERA

[75] Inventors: Nobuhiro Ago, Yokohama; Masayuki Iimura, Kodaira; Tateso Yamada, Yokohama, all of Japan

[73] Assignee: Canon Kabushiki Kaisha, Tokyo, Japan

[\*\*] Term: 14 Years

[21] Appl. No.: 624,019

[22] Filed: Jun. 25, 1984

[30] Foreign Application Priority Data

Dec. 26, 1983 [JP] Japan ..... 58-56536

[52] U.S. Cl. .... D16/5; D16/1

[58] Field of Search ..... D16/1-10; 354/202, 288, 121, 145, 152, 145

[56] References Cited

U.S. PATENT DOCUMENTS

- D. 221,256 7/1971 Fukuda ..... D16/5
- D. 224,350 7/1972 Fukuda ..... D16/5
- D. 238,613 1/1976 Waaske ..... D16/1 X

- D. 257,982 1/1981 Maitani ..... D16/5
- D. 263,056 2/1982 Haitori ..... D16/5
- 3,680,455 8/1972 Meinunger ..... 354/187
- 3,741,097 6/1973 Fukuda ..... 354/187 X
- 4,171,894 10/1979 Yamada ..... 354/187
- 4,189,222 2/1980 Maitani ..... 354/187 X
- 4,299,465 11/1981 Chan ..... 354/187 X

Primary Examiner—Nelson C. Holtje  
Attorney, Agent, or Firm—Fitzpatrick, Cella, Harper & Scinto

[57] CLAIM

The ornamental design for a camera, as shown and described.

DESCRIPTION

FIG. 1 is a front elevational view of a camera showing our new design with the lens cover open; FIG. 2 is a rear elevational view thereof; FIG. 3 is a top plan view thereof; FIG. 4 is a bottom plan view thereof; FIG. 5 is a left side elevational view thereof; FIG. 6 is a right side elevational view thereof; FIG. 7 is a left front perspective view thereof; FIG. 8 is a right rear perspective view thereof.

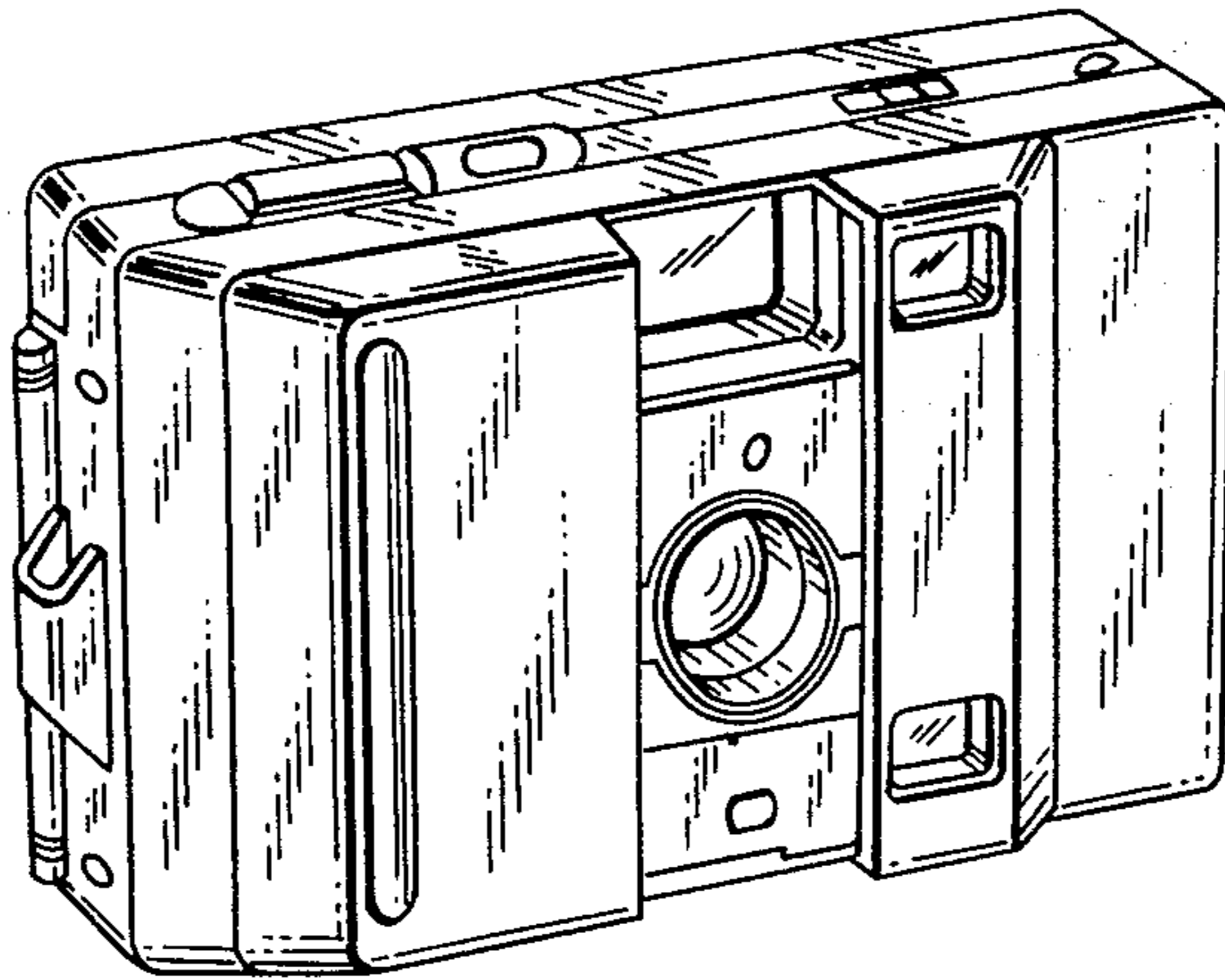


FIG. 1

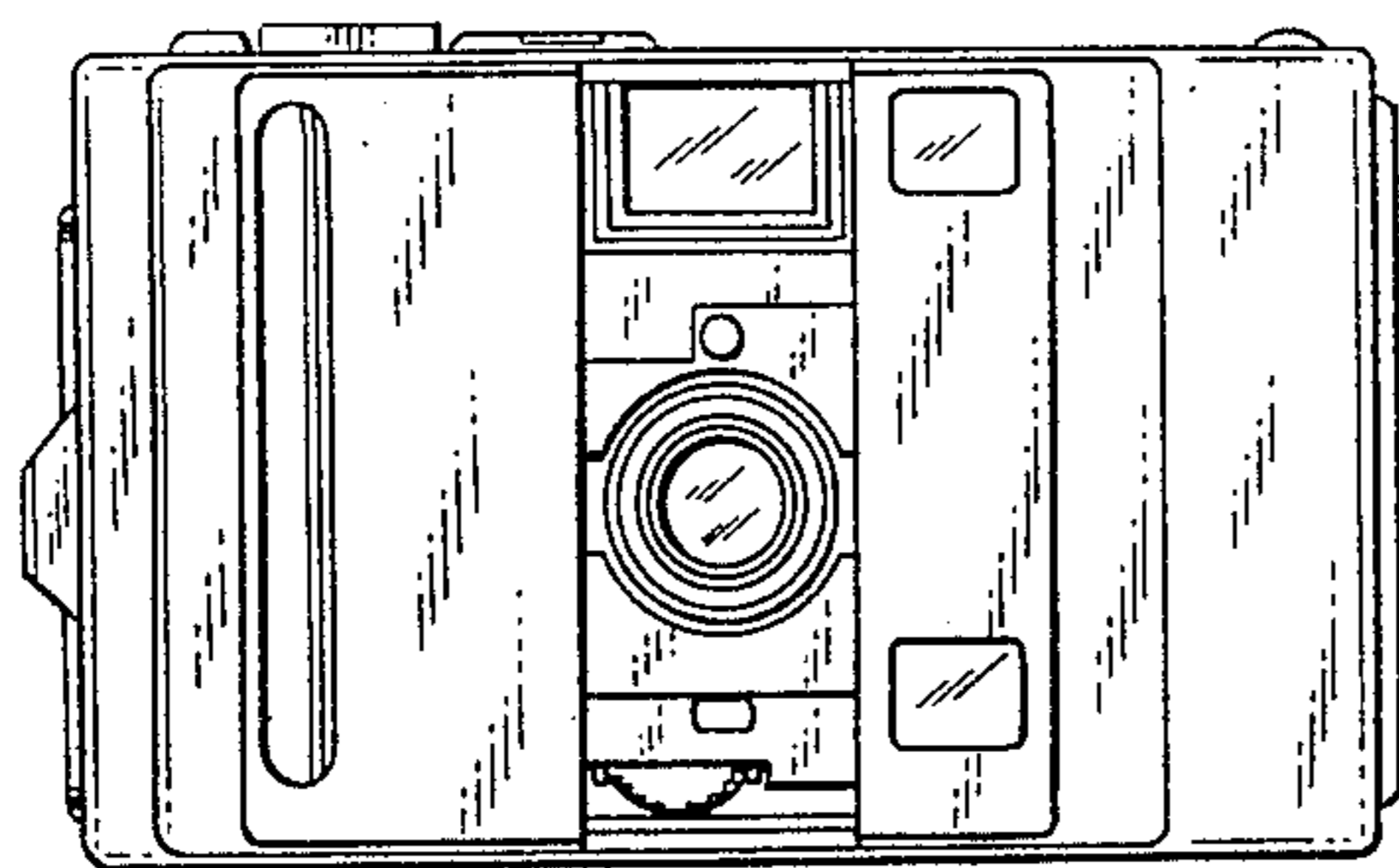


FIG. 2

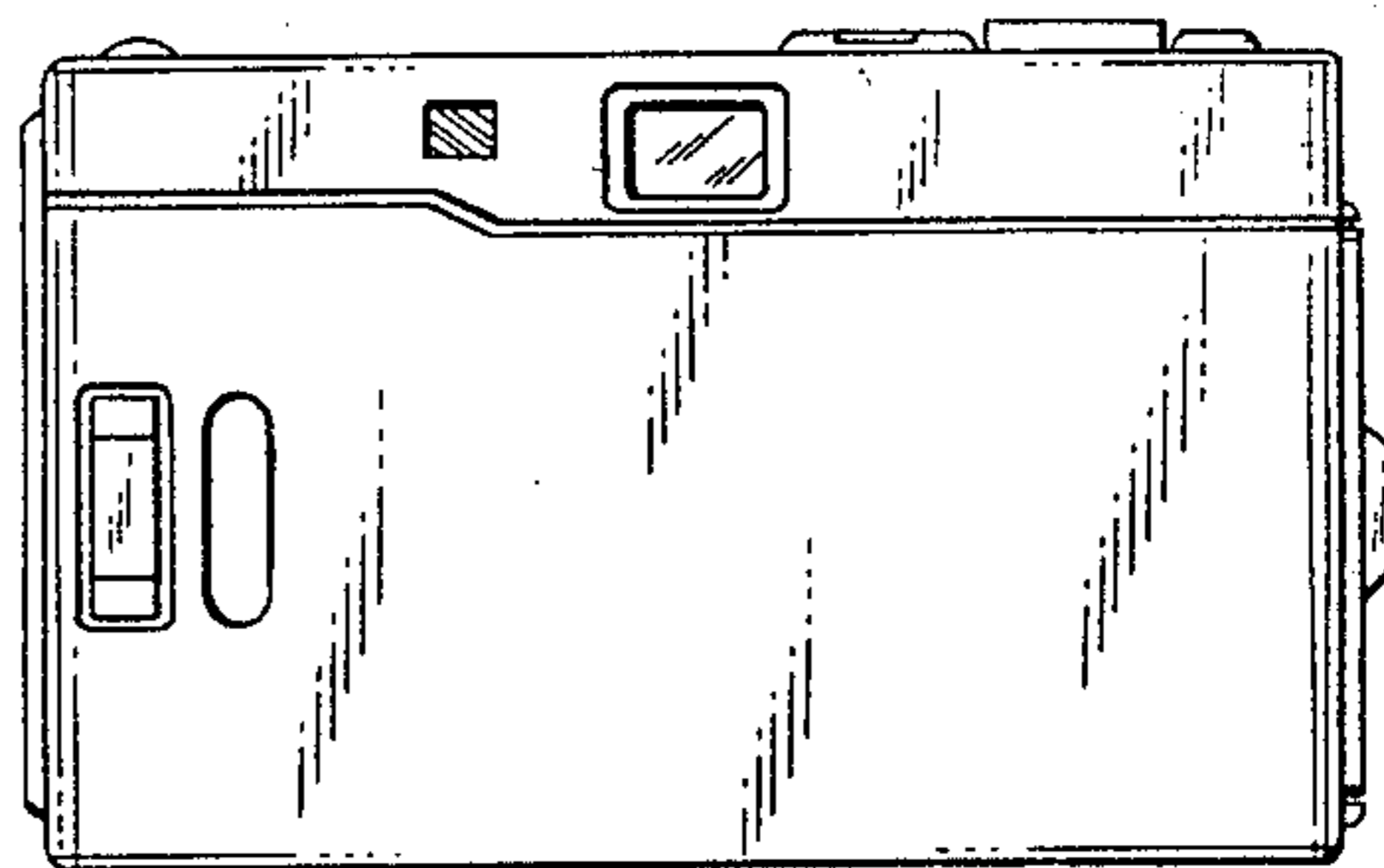


FIG. 3

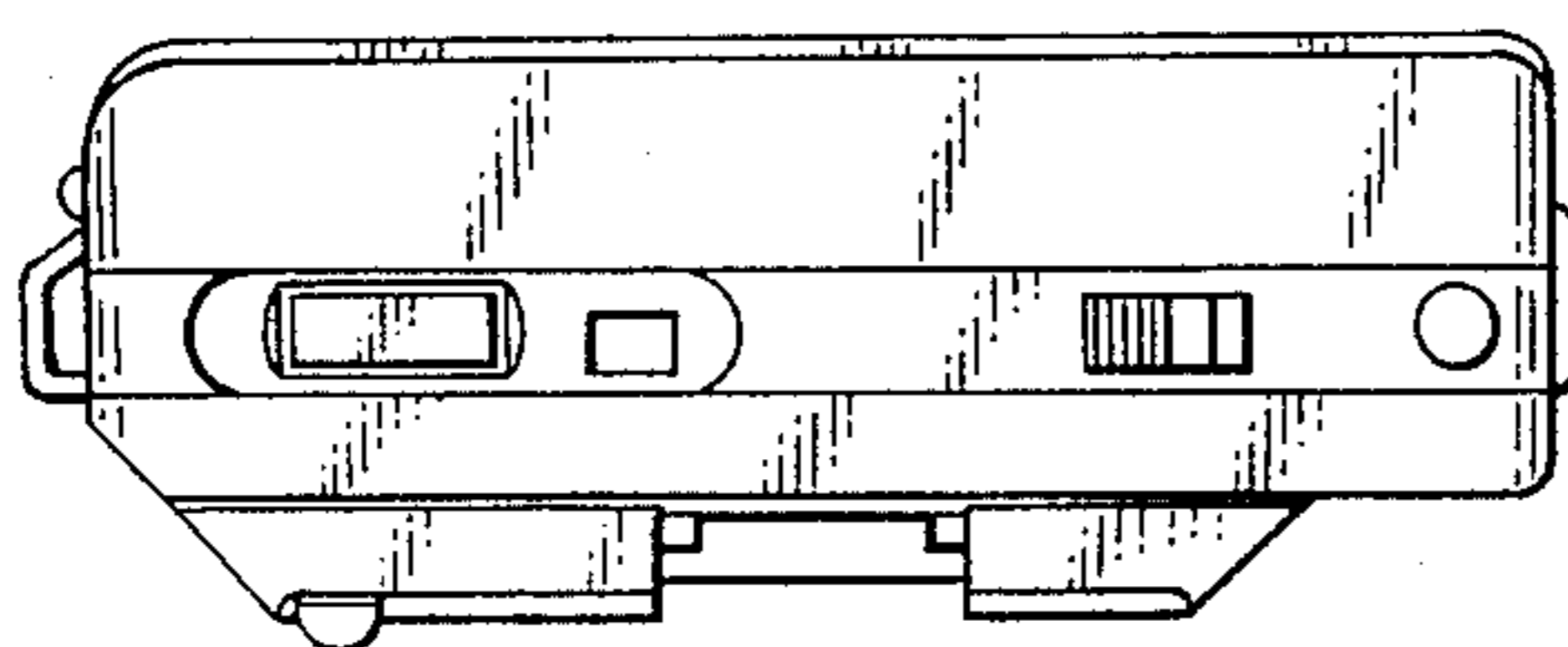


FIG. 4

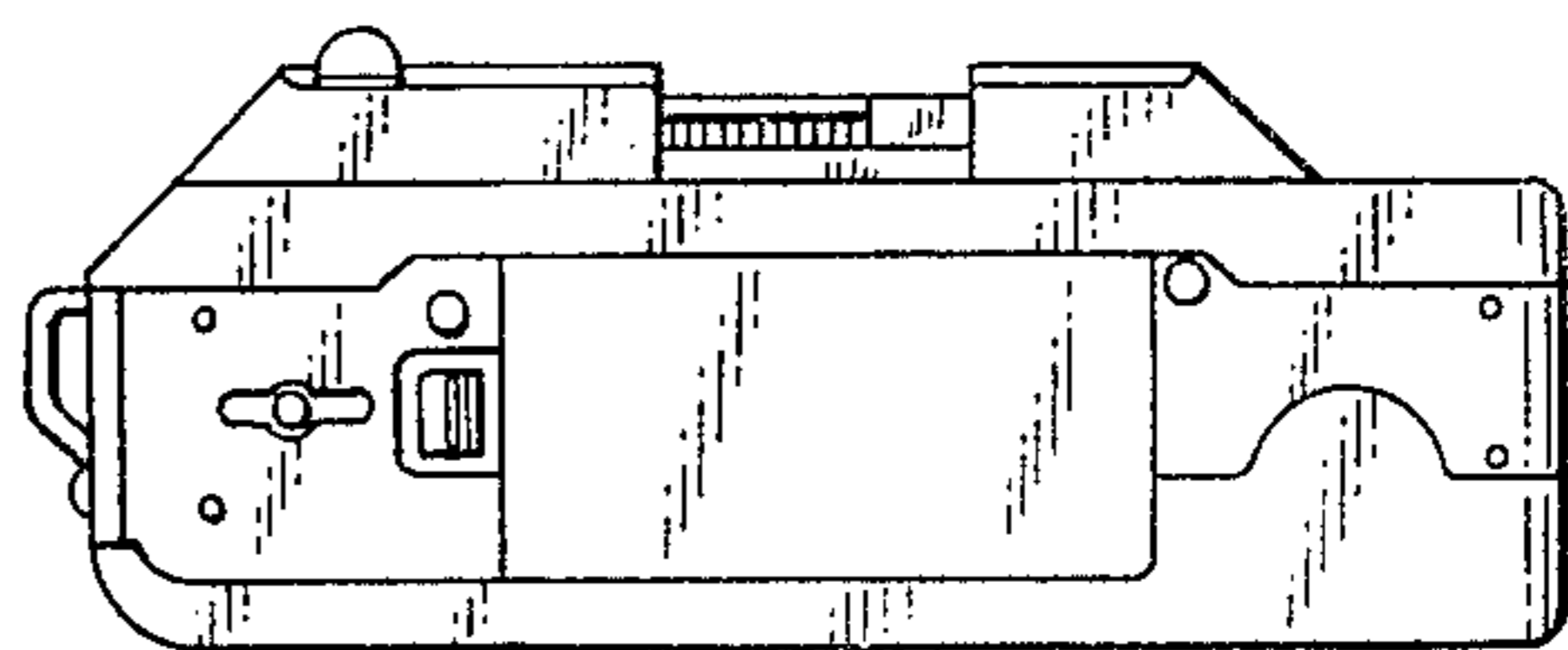


FIG. 5

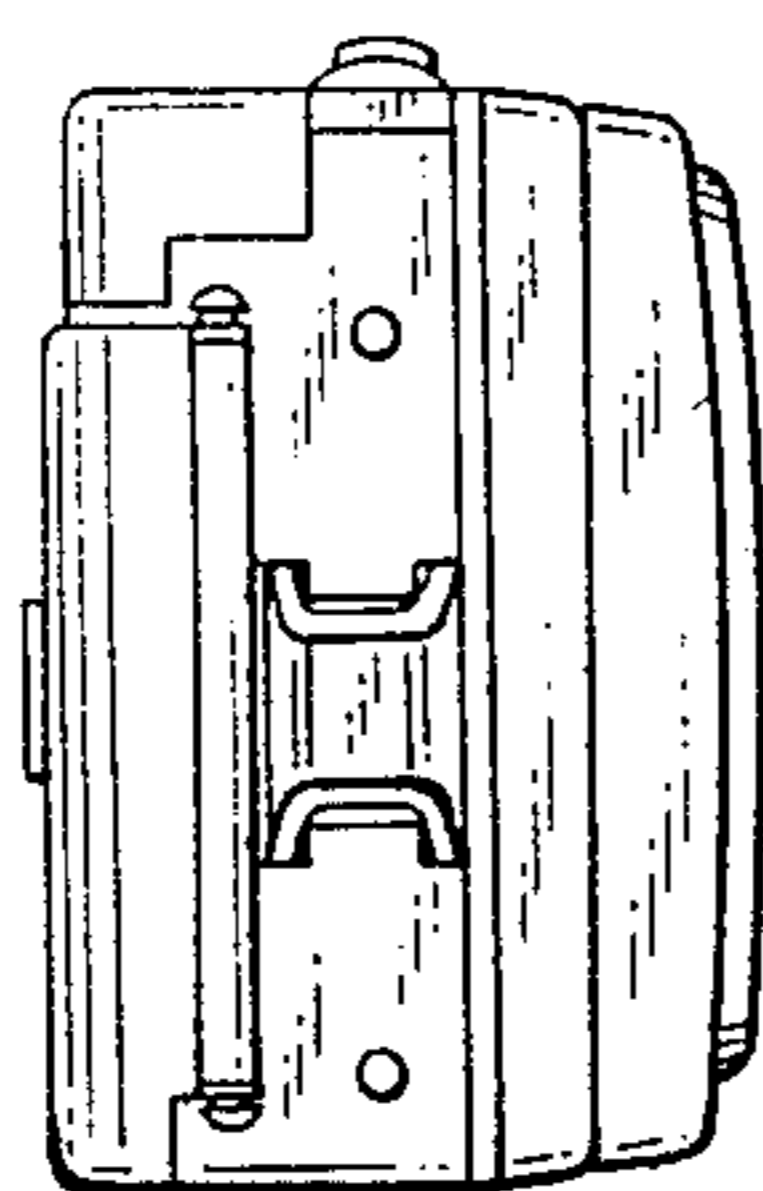


FIG. 6

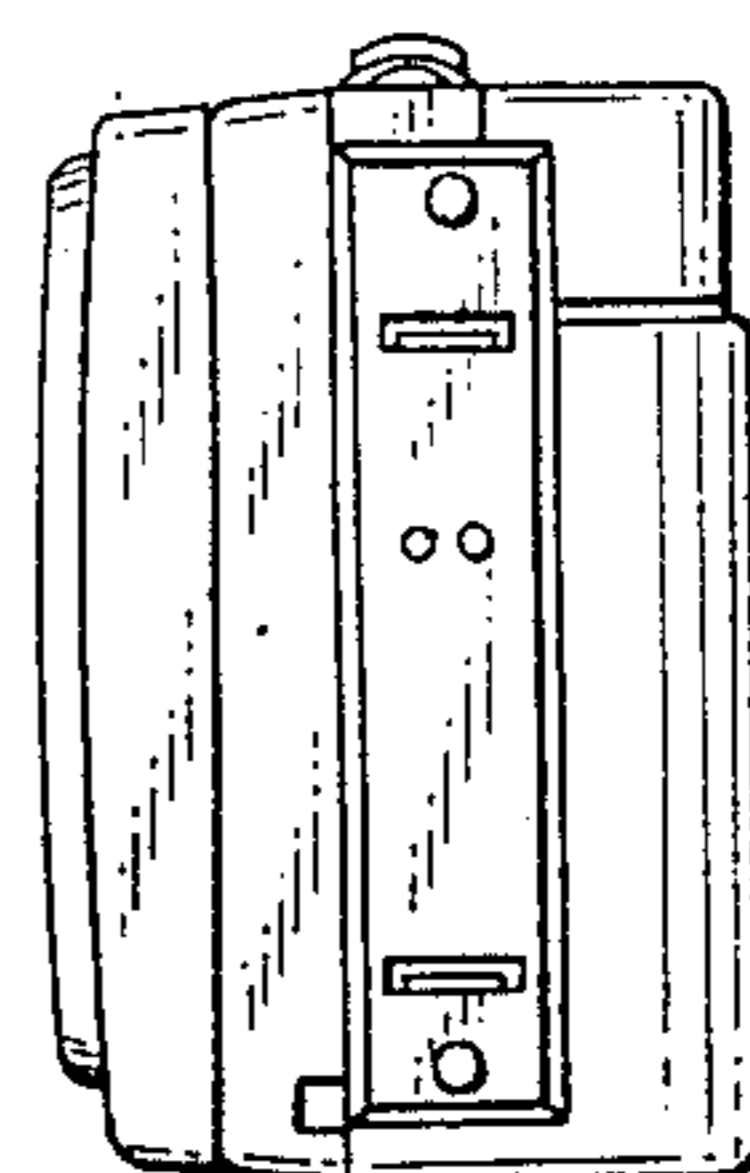


FIG. 7

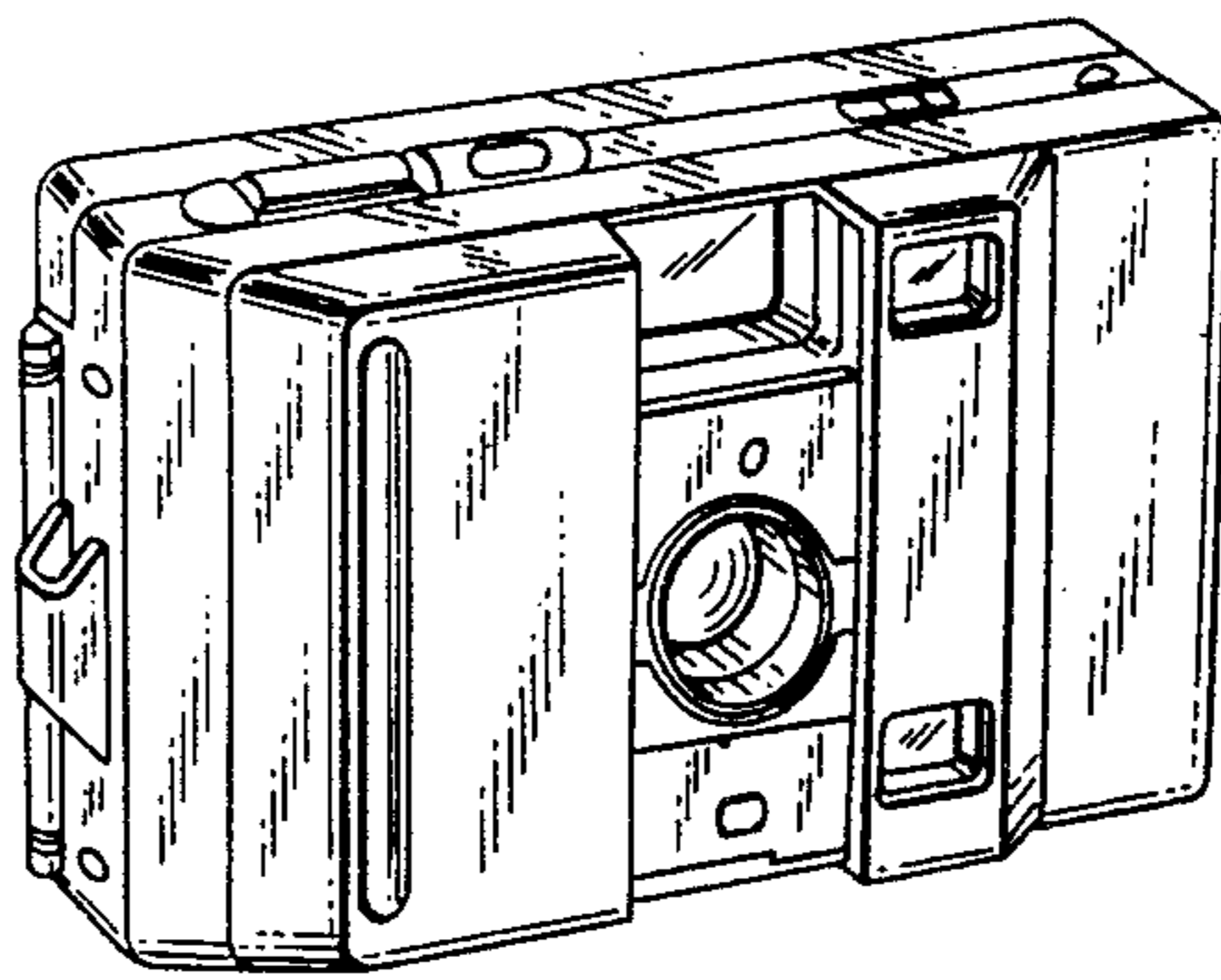


FIG. 8

