

[54] **CAROUSEL COMPONENT FEEDER**

[75] **Inventors: Ravindra S. David, Don Mills; Alfred H. Allen, Brampton, both of Canada**

[73] **Assignee: Northern Telecom Limited, Montreal, Canada**

[**] **Term: 14 Years**

[21] **Appl. No.: 579,477**

[22] **Filed: Feb. 13, 1984**

[52] **U.S. Cl. D15/199**

[58] **Field of Search D15/122, 199; 221/93, 221/112, 119, 121, 122; 29/809, 741; D34/28**

[56] **References Cited**

U.S. PATENT DOCUMENTS

- 3,410,385 11/1968 Freer et al. 221/121
- 4,063,347 12/1977 Woodman, Jr. 29/809
- 4,202,092 5/1980 Shibasaki et al. 29/741

- 4,250,615 2/1981 Knuth et al. 29/809
- 4,333,586 6/1982 Stückler 29/741

Primary Examiner—B. J. Bullock
Attorney, Agent, or Firm—Robert C. Hogeboom

[57] **CLAIM**

The ornamental design for a carousel component feeder, substantially as shown and described.

DESCRIPTION

FIG. 1 is a perspective view of a carousel component feeder, showing our new design;
 FIG. 2 is a top plan view;
 FIG. 3 is a front elevational view;
 FIG. 4 is a bottom plan view;
 FIG. 5 is an elevational view taken from the left of FIG. 1;
 FIG. 6 is an elevational view taken from the right of FIG. 1; and
 FIG. 7 is a rear elevational view.

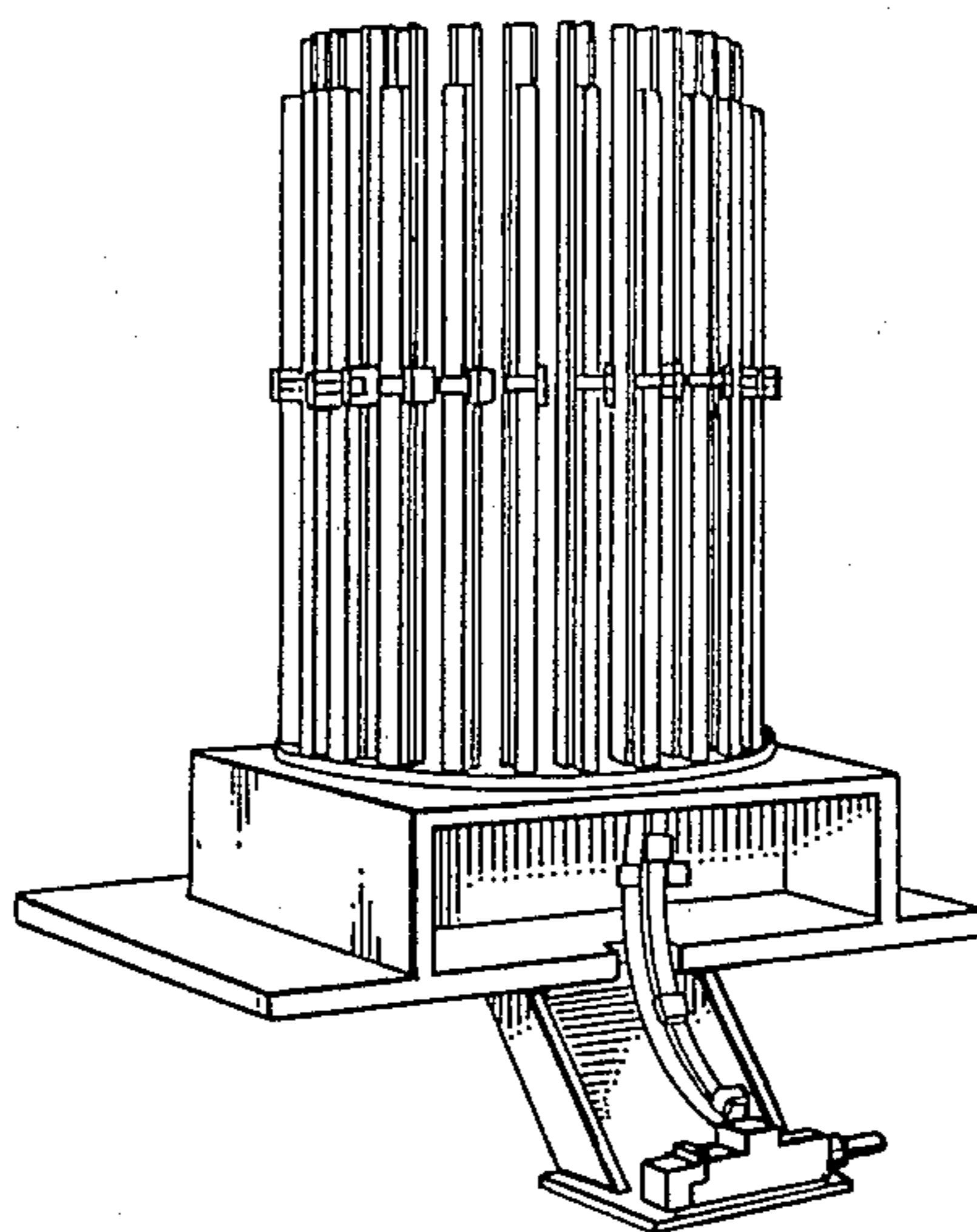


FIG. 1

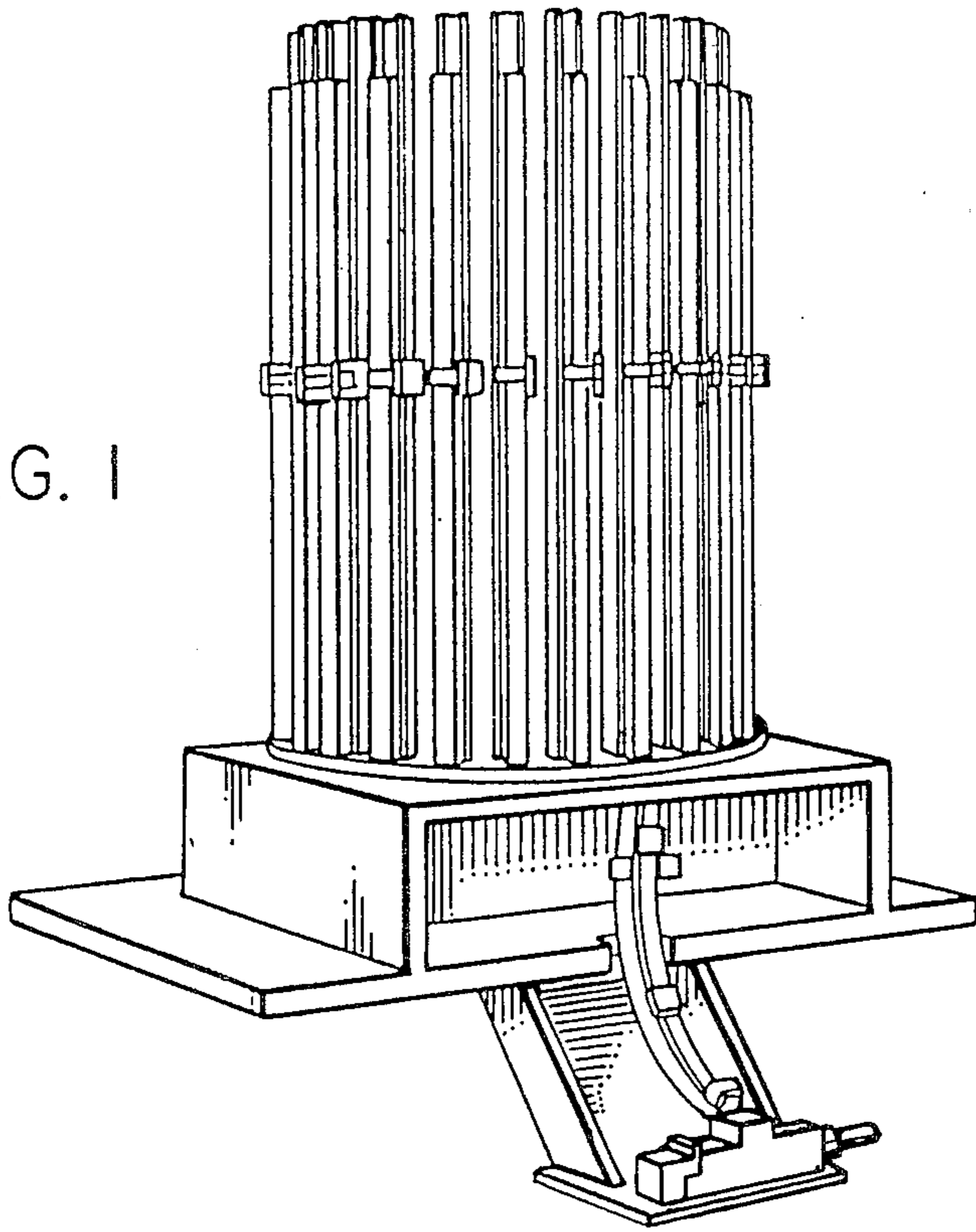


FIG. 2

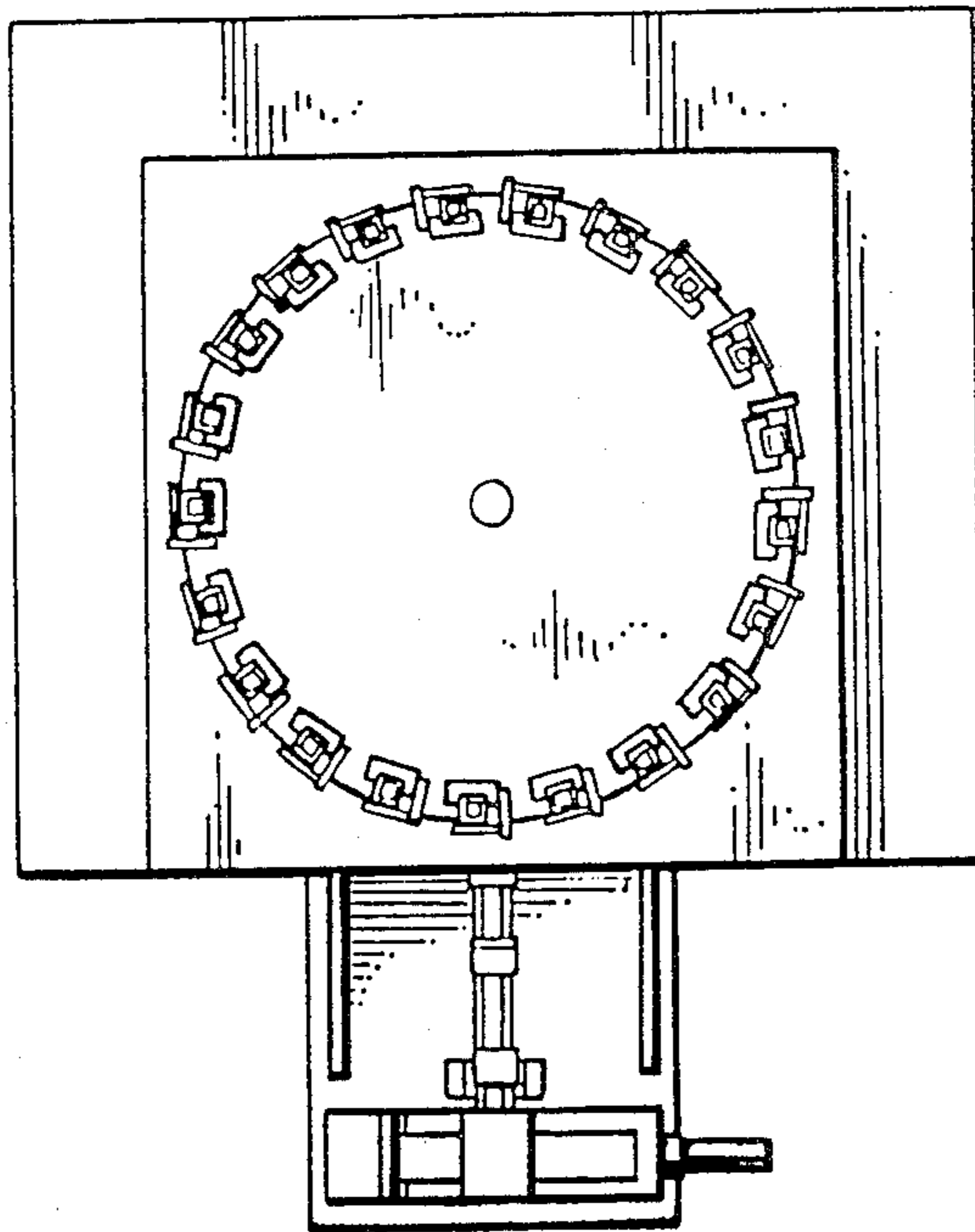


FIG. 3

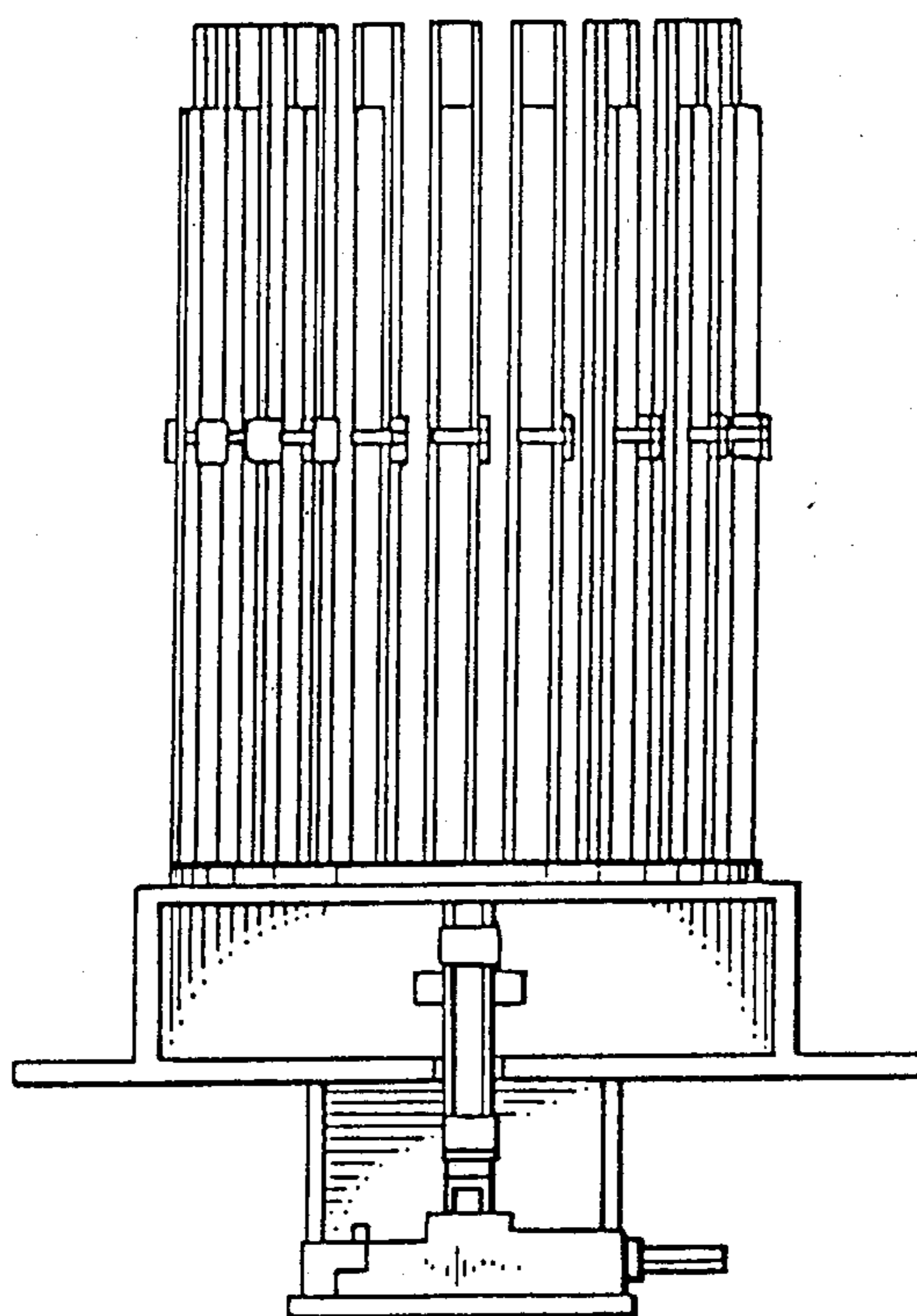
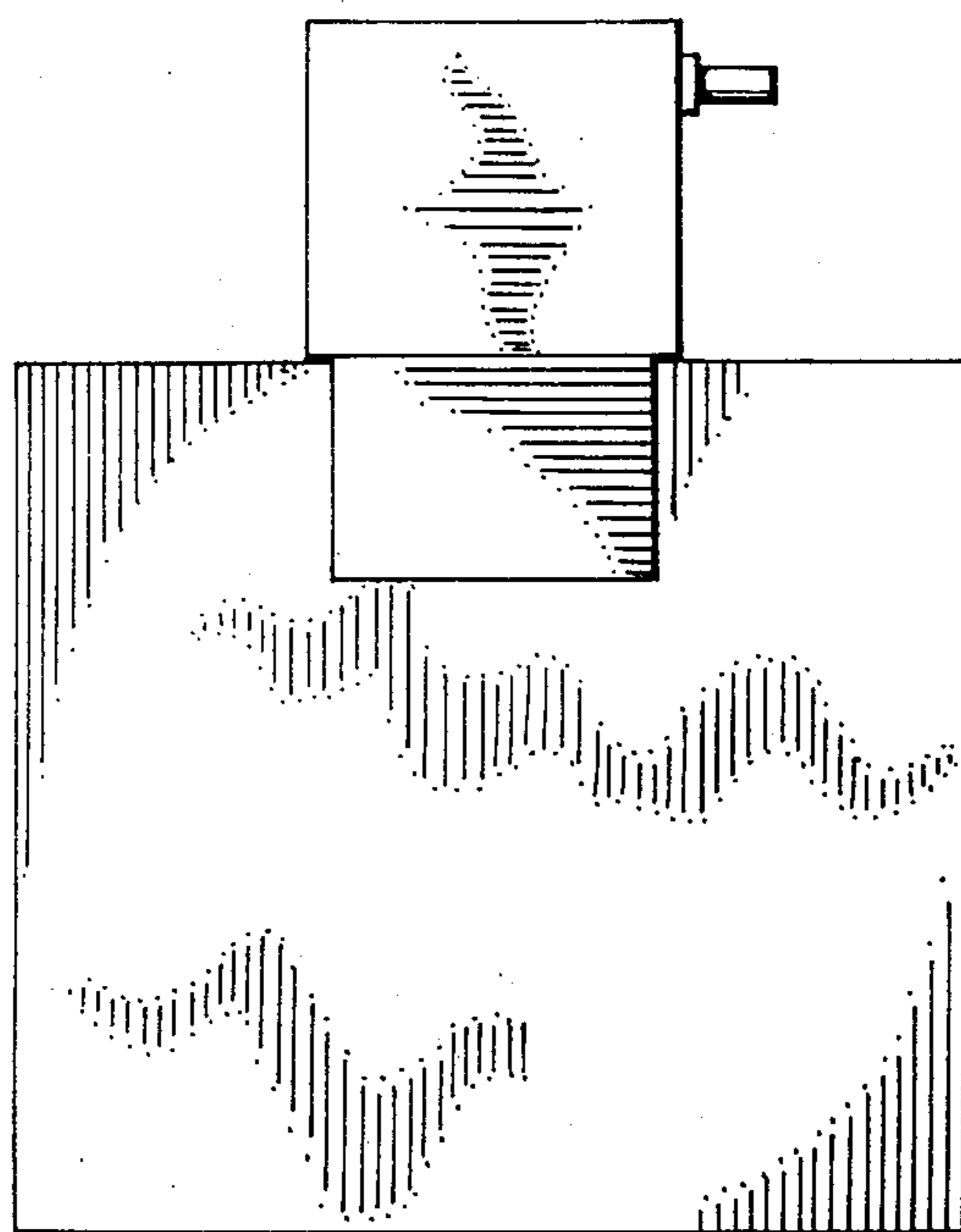


FIG. 4



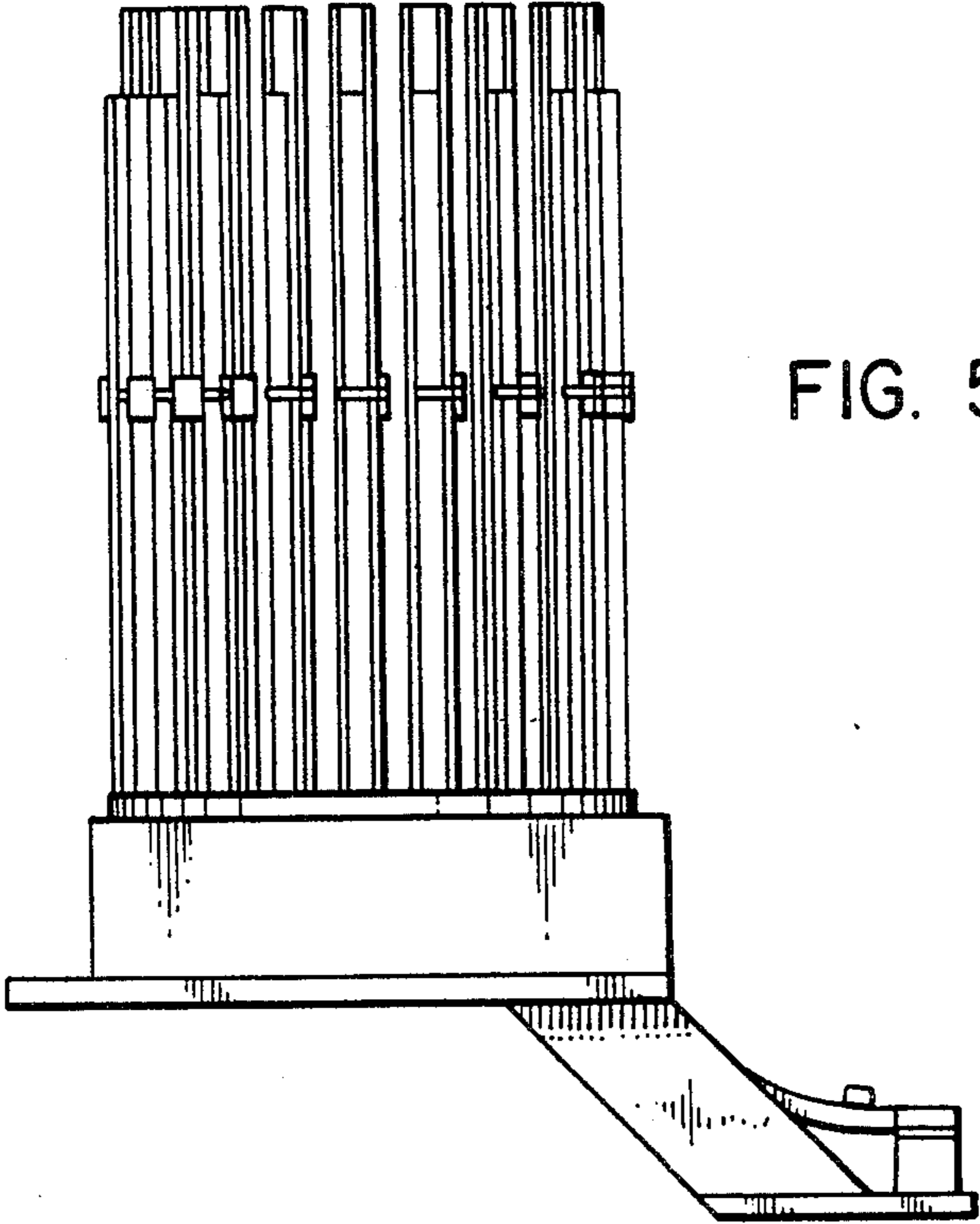
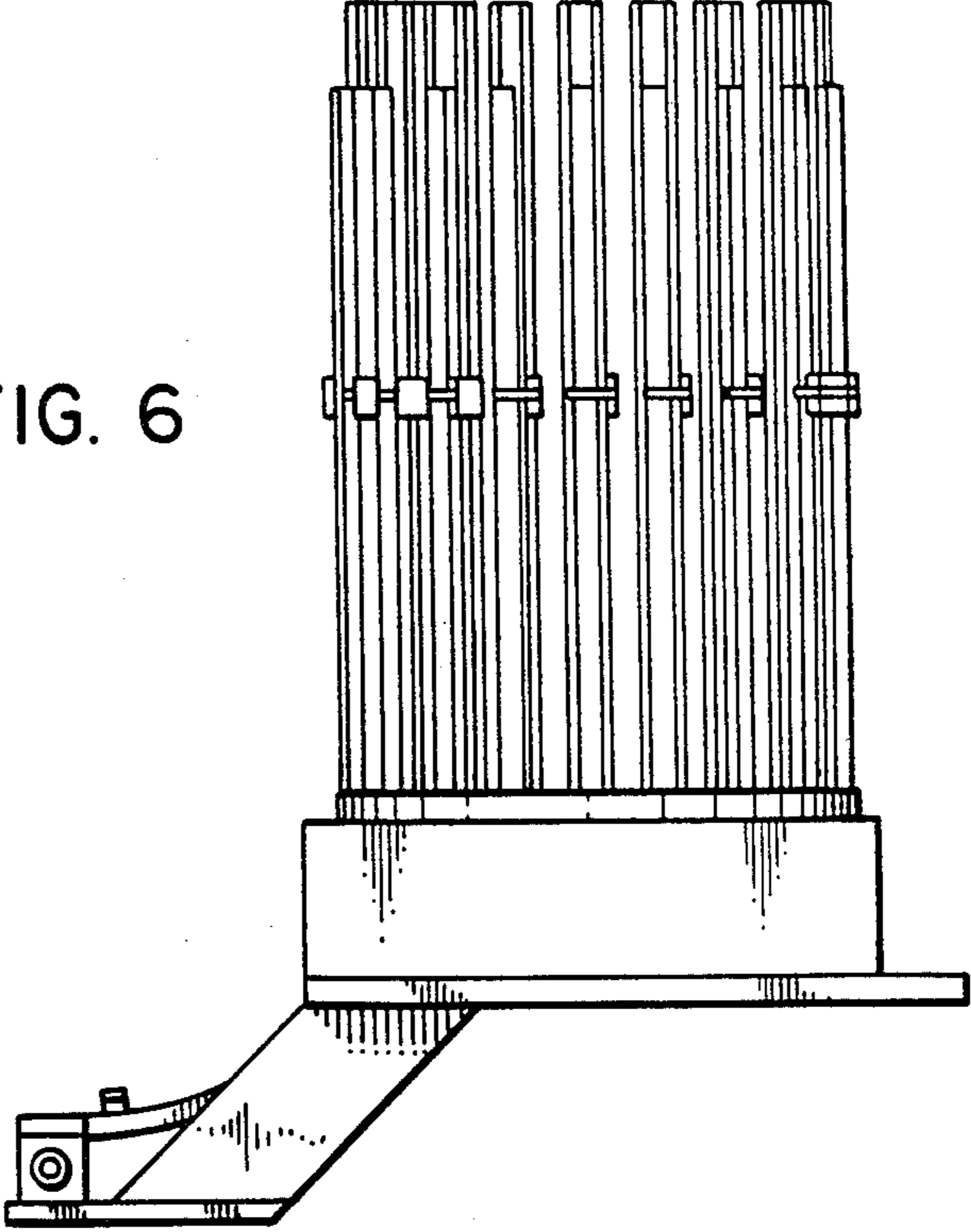


FIG. 5

FIG. 6



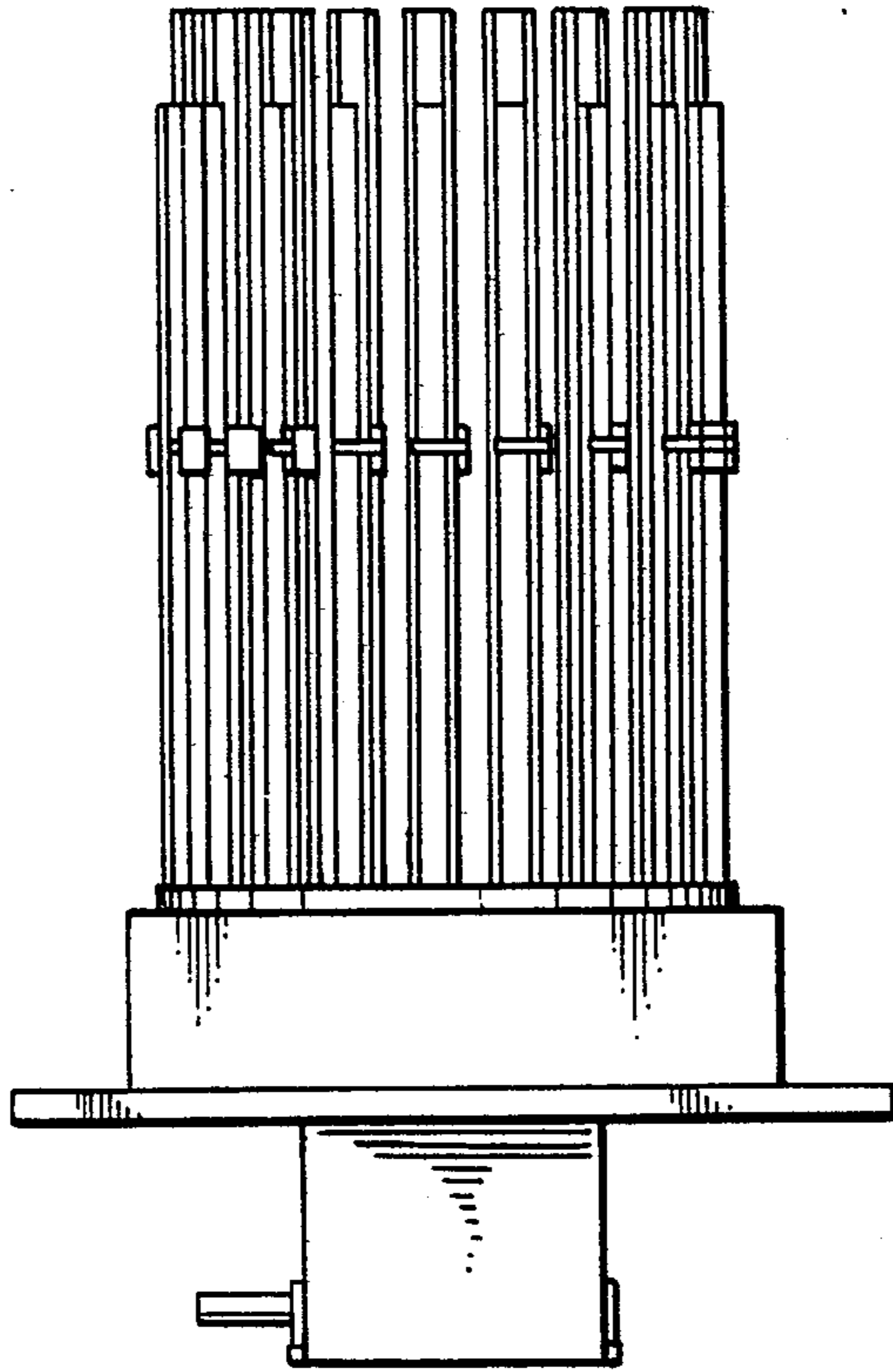


FIG. 7