

[54] **TURBINE HOUSING**

[75] **Inventor: Jack E. Muck, Garfield Heights, Ohio**

[73] **Assignee: Accu-Spray, Inc., Bedford Heights, Ohio**

[**] **Term: 14 Years**

[21] **Appl. No.: 606,950**

[22] **Filed: May 4, 1984**

Related U.S. Application Data

[63] **Continuation-in-part of Ser. No. 544,218, Oct. 21, 1983, Pat. No. 4,565,488.**

[52] **U.S. Cl. D15/1**

[58] **Field of Search D15/1-9; 415/52 R, 53 R; D23/17, 18**

[56] **References Cited**

U.S. PATENT DOCUMENTS

D. 222,846	1/1972	Kondo	D15/9
D. 273,957	5/1984	Boswell	D15/9
D. 273,958	5/1984	Mariol	D15/9
2,994,275	8/1961	Stepnica	415/53

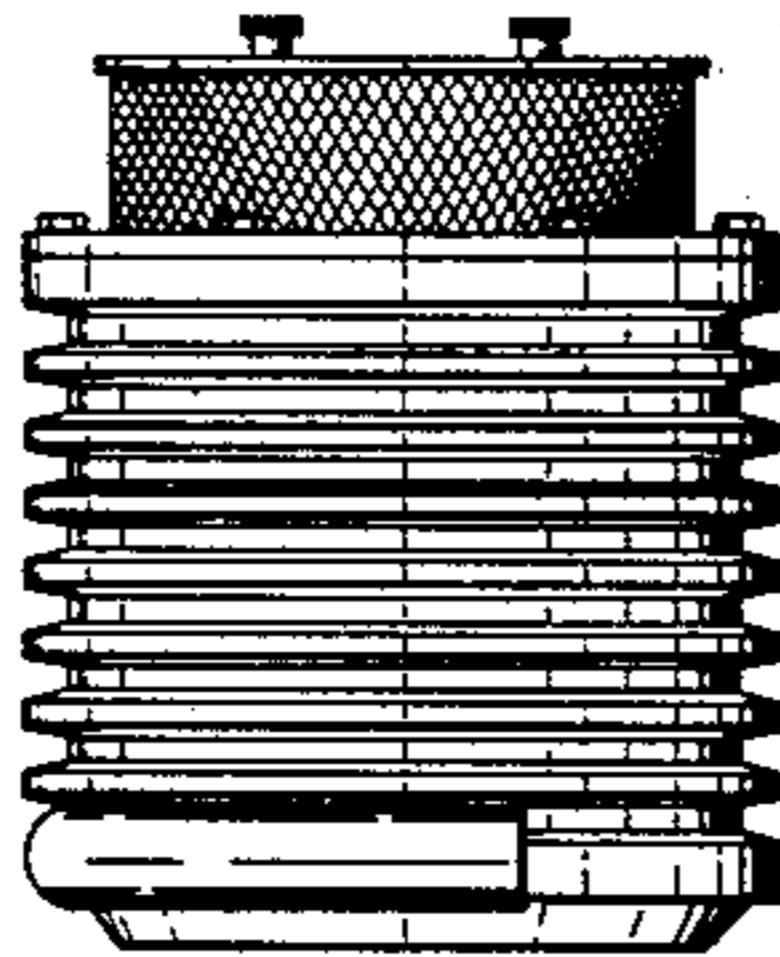
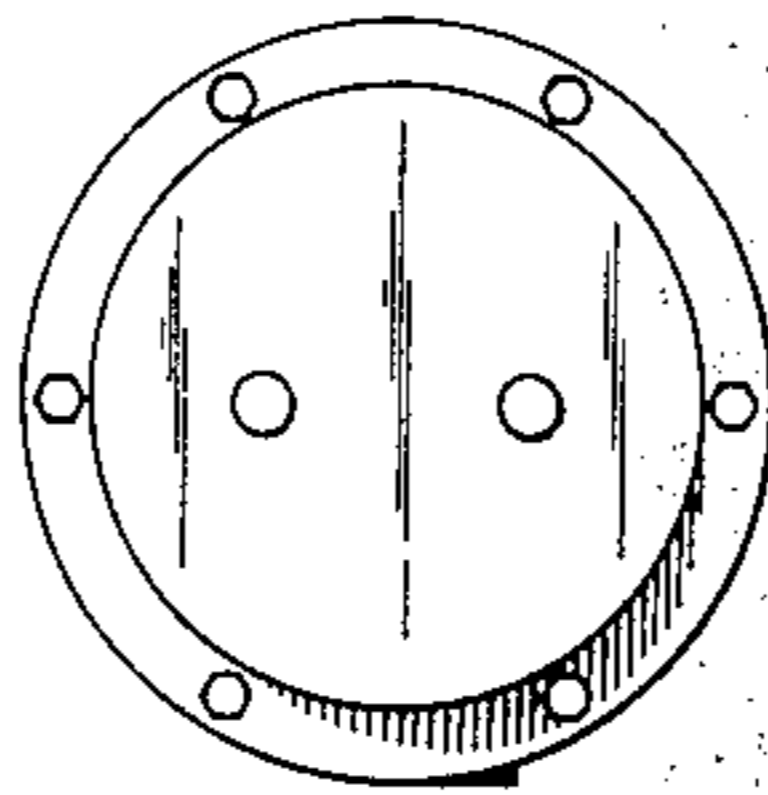
Primary Examiner—B. J. Bullock
Assistant Examiner—Brian N. Vinson
Attorney, Agent, or Firm—Sidney W. Millard

[57] **CLAIM**

The ornamental design for a turbine housing, as shown and described.

DESCRIPTION

FIG. 1 is a top plan view of a turbine housing showing my new design;
FIG. 2 is a side elevational view thereof, the opposite side being substantially similar in appearance;
FIG. 3 is a front elevational view thereof, the rear being substantially similar in appearance; and
FIG. 4 is a bottom plan view thereof.



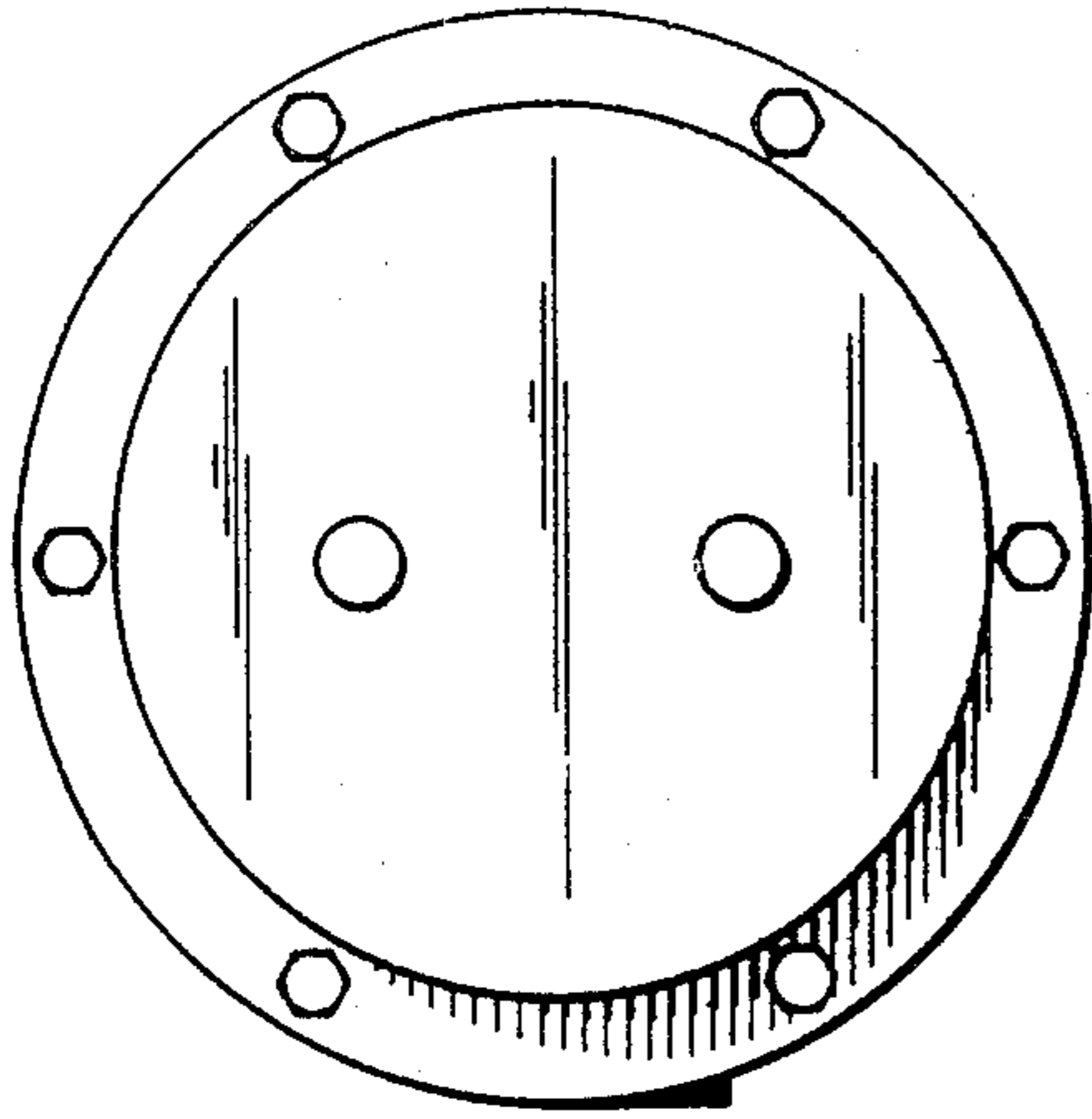


FIG. 1

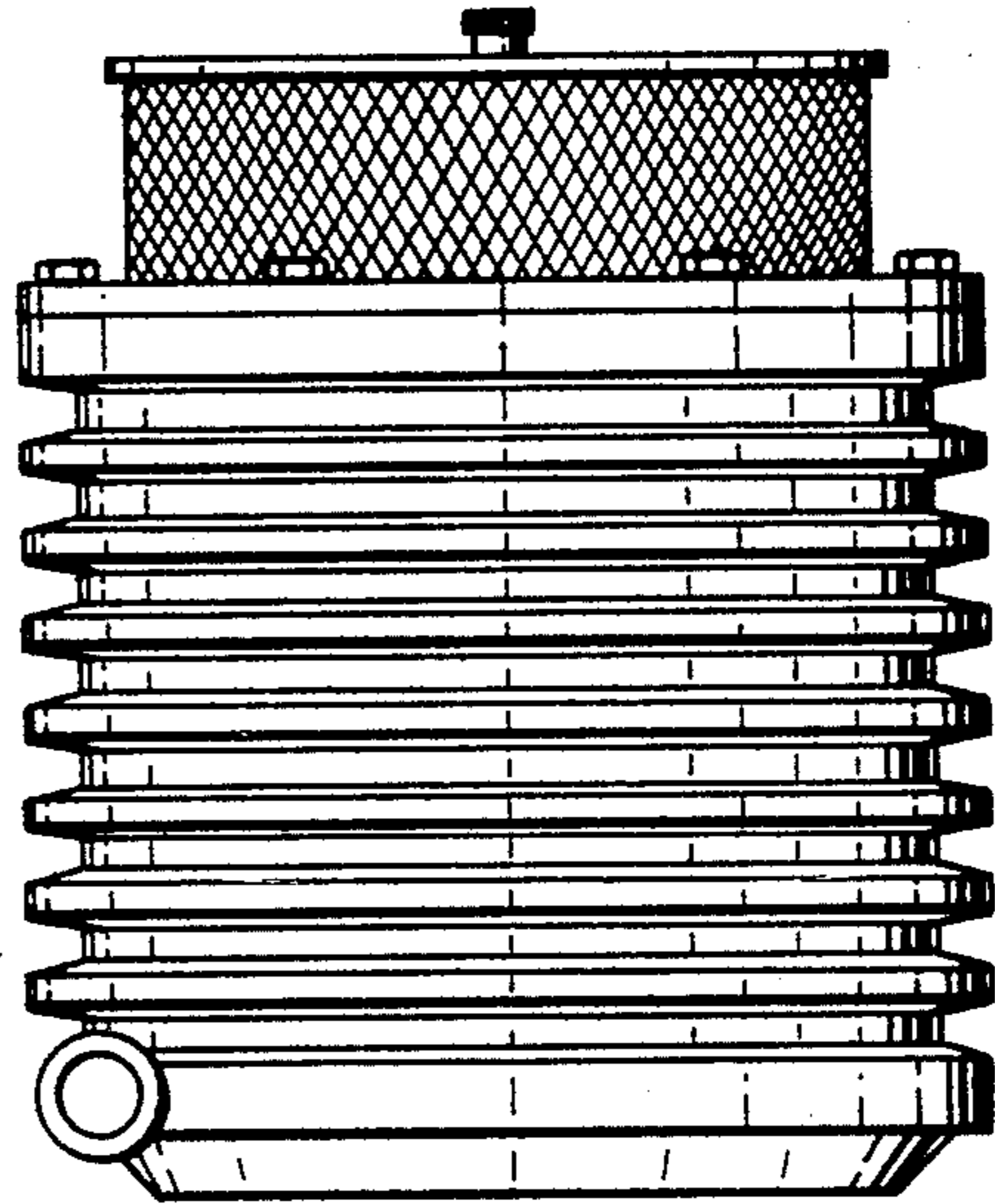


FIG. 2

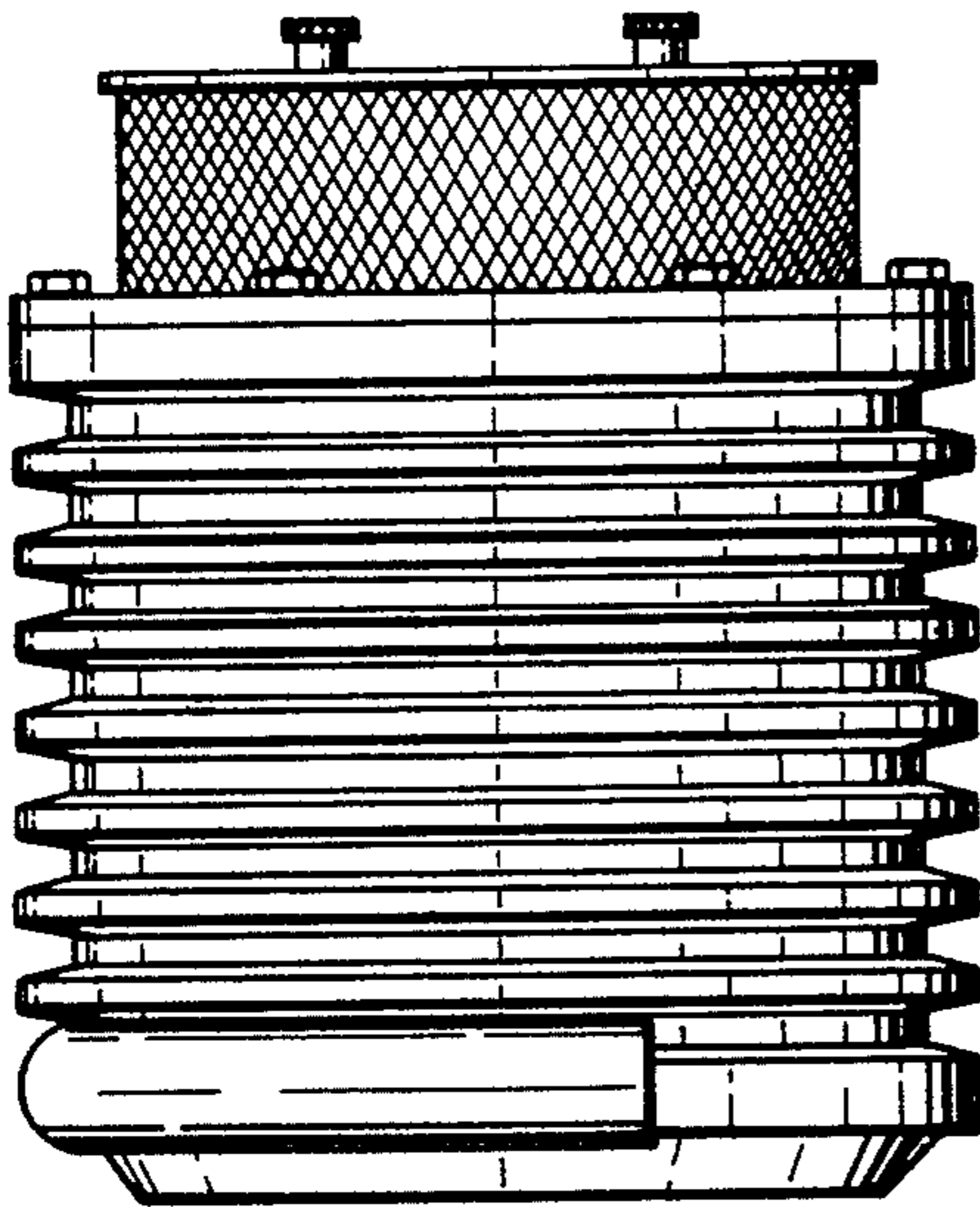


FIG. 3

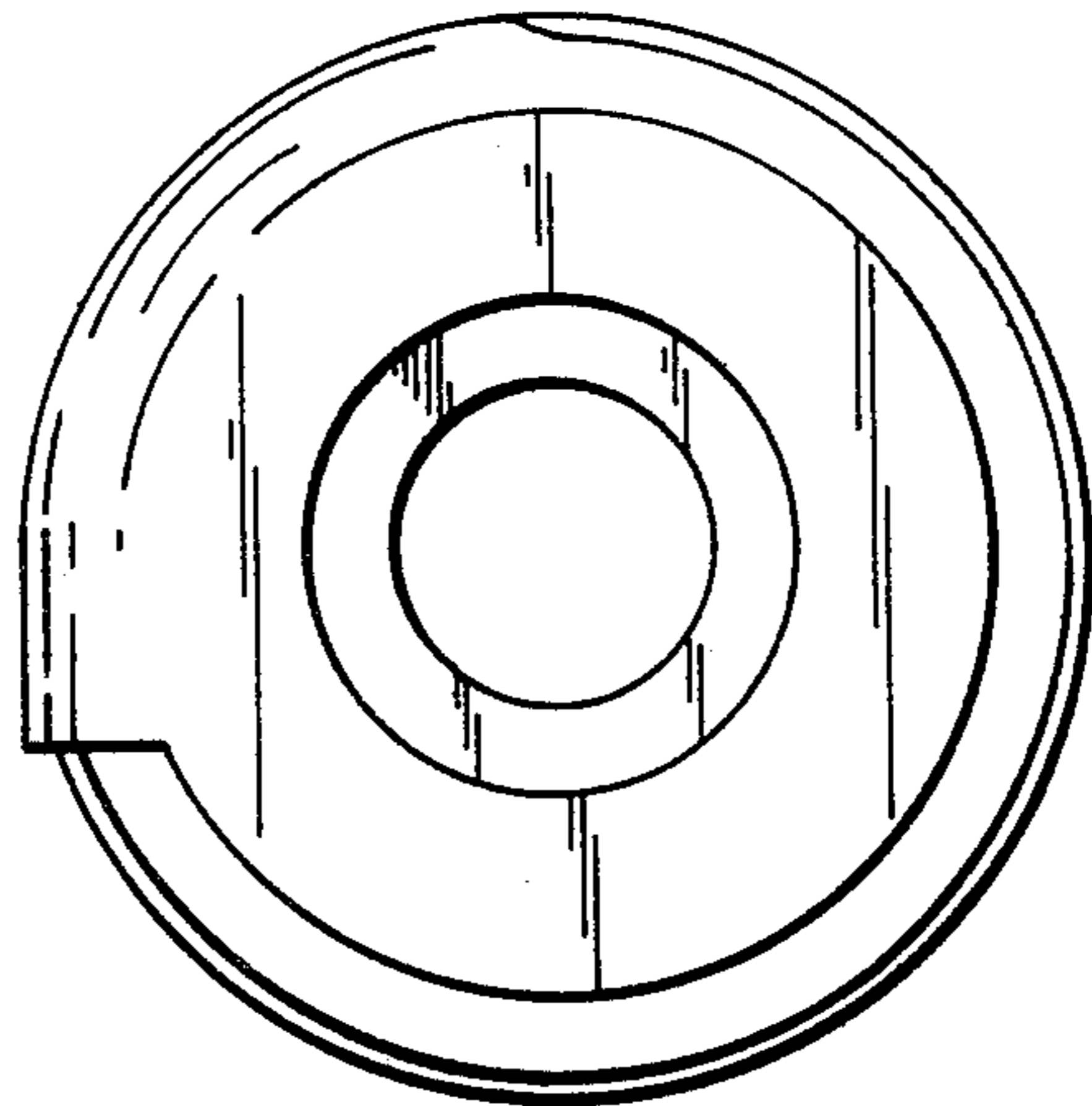


FIG. 4